



US00D678544S

(12) **United States Design Patent**
Mueller et al.

(10) **Patent No.:** **US D678,544 S**
(45) **Date of Patent:** **** Mar. 19, 2013**

(54) **CELL CULTURING VESSEL**
(75) Inventors: **Alexander Mueller**, Fuerth (DE);
Sebastian Maier, Fuerth (DE)
(73) Assignee: **Sartorius Weighing Technology GmbH**
(DE)

4,727,040 A * 2/1988 Freedman et al. 435/295.3
D303,568 S * 9/1989 Gabridge D24/224
D378,941 S * 4/1997 Lahm et al. D24/224
5,622,865 A * 4/1997 Kayal et al. 435/304.1
5,686,301 A * 11/1997 Falkenberg et al. 435/297.1
D417,634 S * 12/1999 Aebi et al. D24/232
2003/0008389 A1 * 1/2003 Carll 435/302.1

* cited by examiner

(**) Term: **14 Years**
(21) Appl. No.: **29/412,354**
(22) Filed: **Feb. 2, 2012**

Primary Examiner — Anhdao Doan
(74) *Attorney, Agent, or Firm* — Gerald E. Hespos; Michael
J. Porco-; Matthew T. Hespos

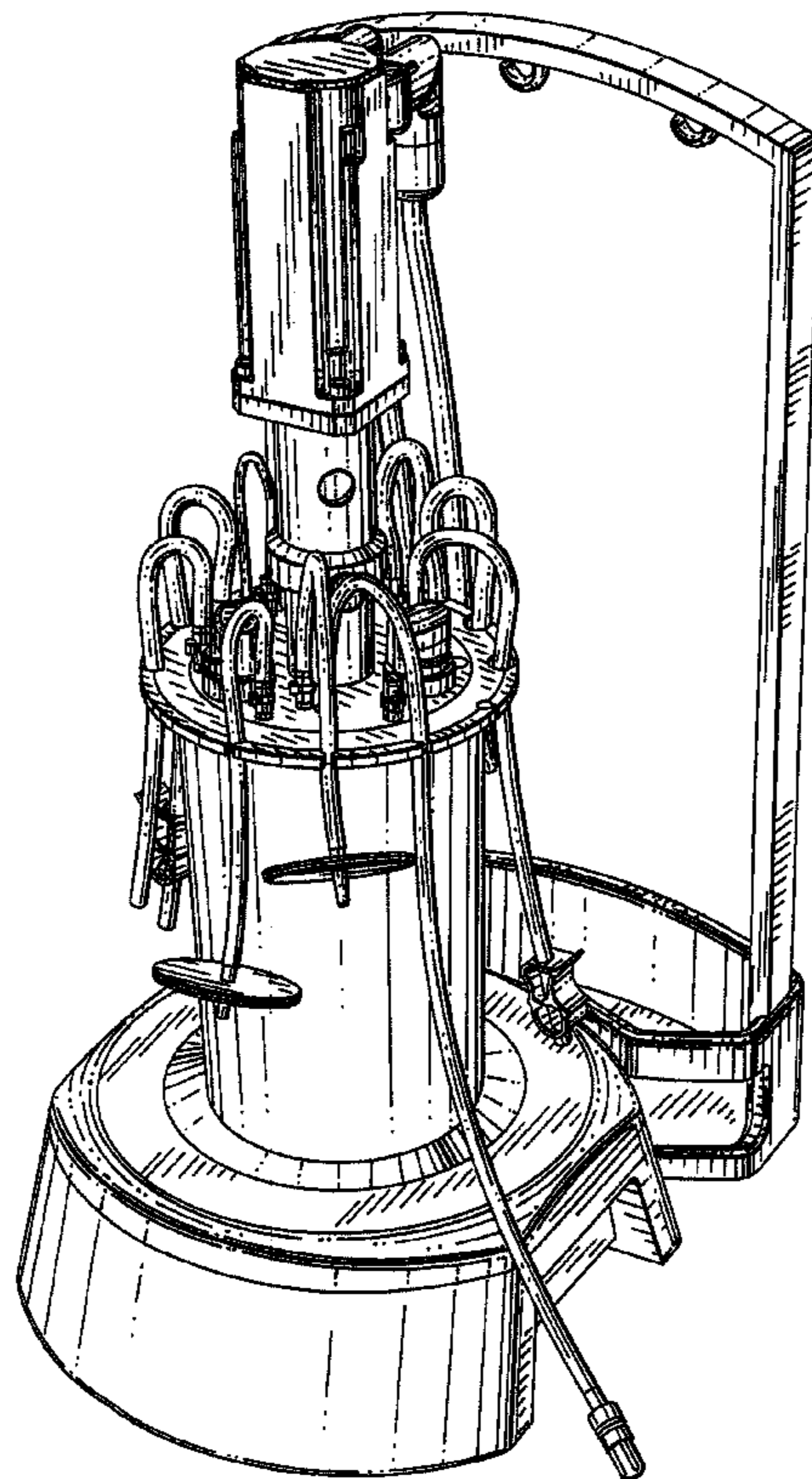
(30) **Foreign Application Priority Data**
Aug. 2, 2011 (EM) 001287585-0001
(51) **LOC (9) Cl.** **24-01**
(52) **U.S. Cl.** **D24/216**
(58) **Field of Classification Search** D24/216–217,
D24/219, 223–226, 227, 229–231, 232, 107,
D24/121–123; D10/81; 422/547–554, 556,
422/558, 559, 500
See application file for complete search history.

(57) **CLAIM**
The ornamental design for a cell culturing vessel, as shown
and described.

(56) **References Cited**
U.S. PATENT DOCUMENTS
4,332,906 A * 6/1982 Taylor 435/297.1
4,634,675 A * 1/1987 Freedman et al. 435/295.1

DESCRIPTION
FIG. 1 is a front perspective view of a cell culturing vessel
showing the new design;
FIG. 2 is a rear perspective view thereof;
FIG. 3 is a top plan view thereof;
FIG. 4 is a front elevational view thereof;
FIG. 5 is a right side elevational view thereof;
FIG. 6 is a left side elevational view thereof;
FIG. 7 is a rear elevational view thereof; and,
FIG. 8 is a bottom plan view thereof.

1 Claim, 8 Drawing Sheets



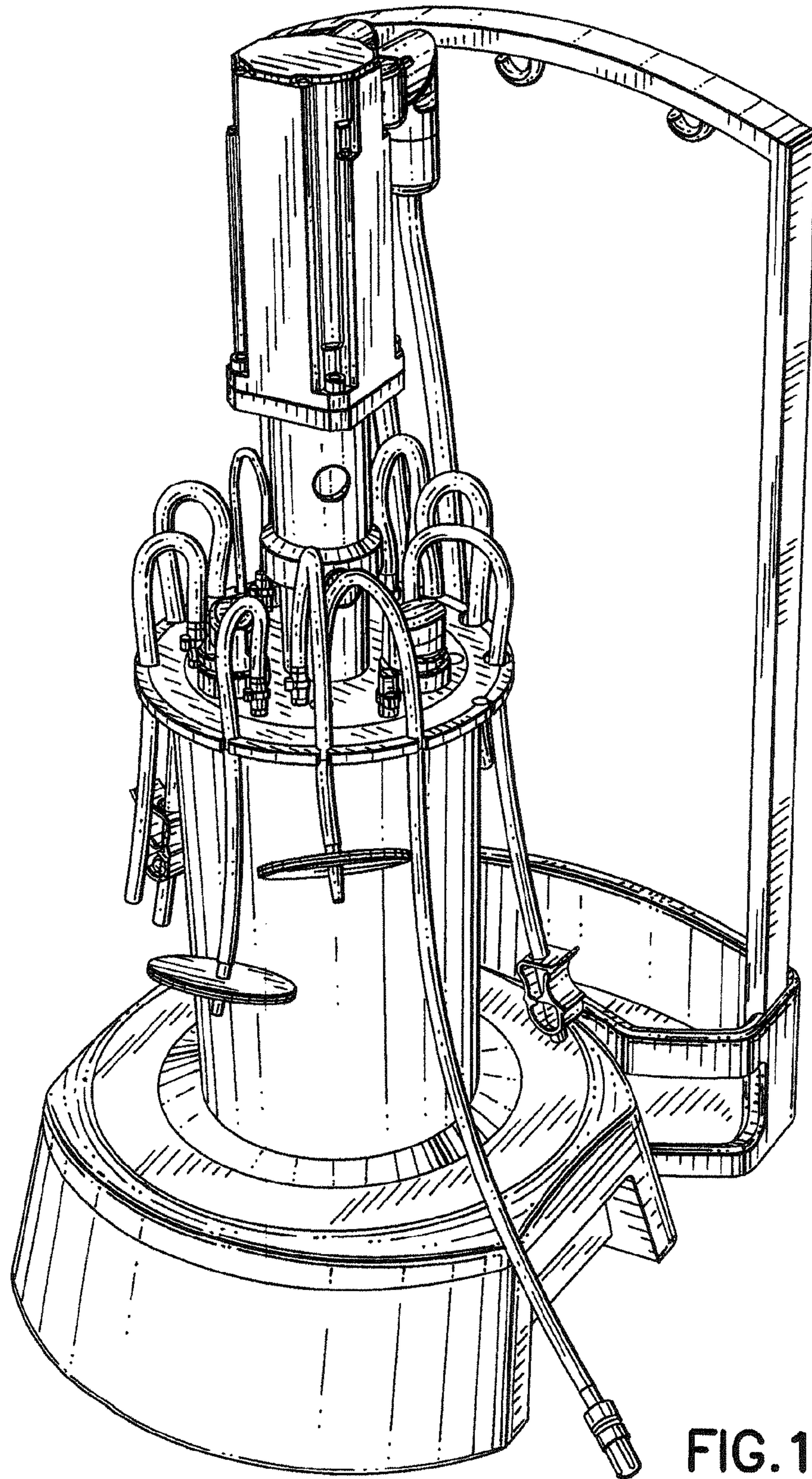


FIG. 1

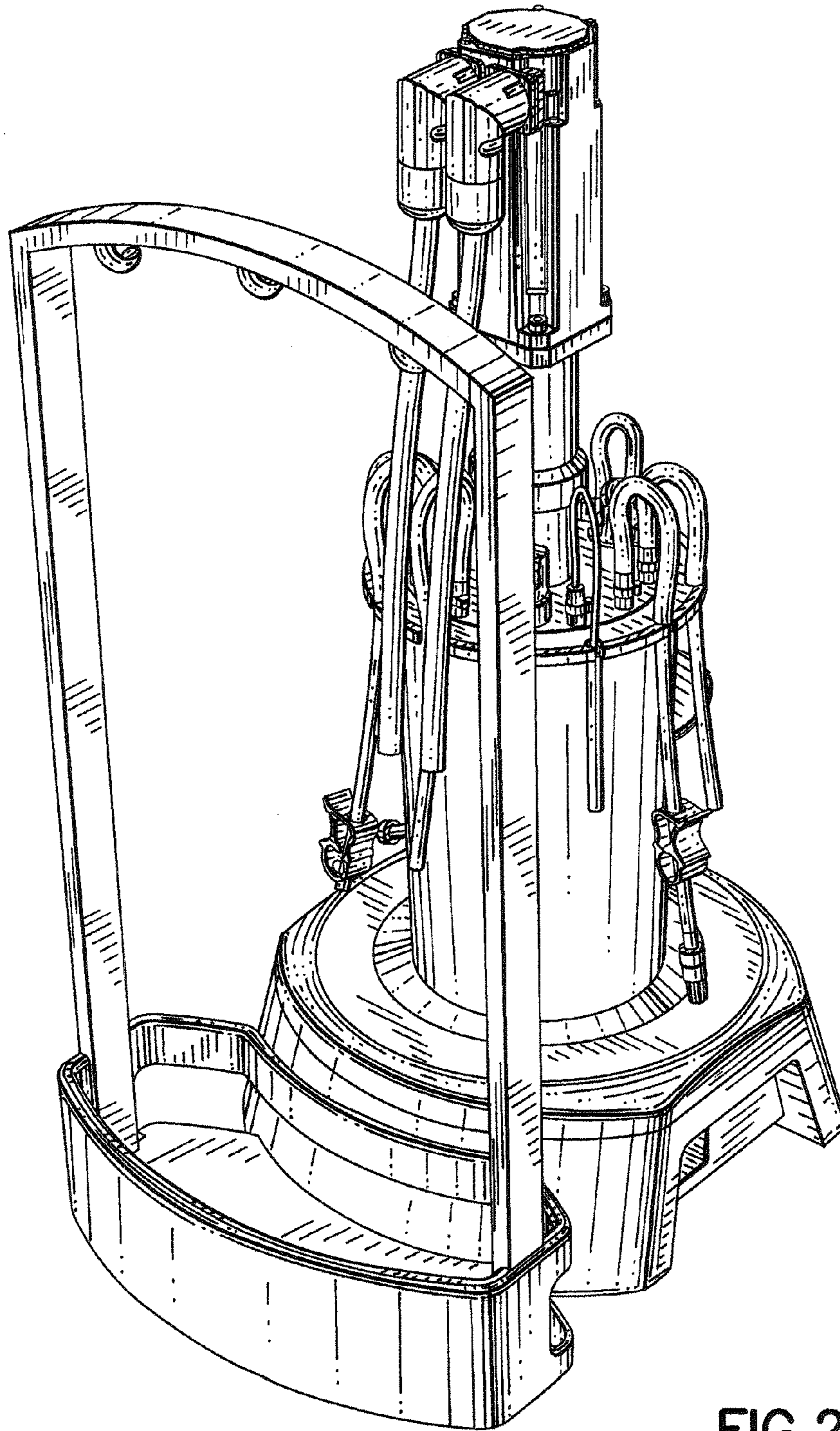


FIG.2

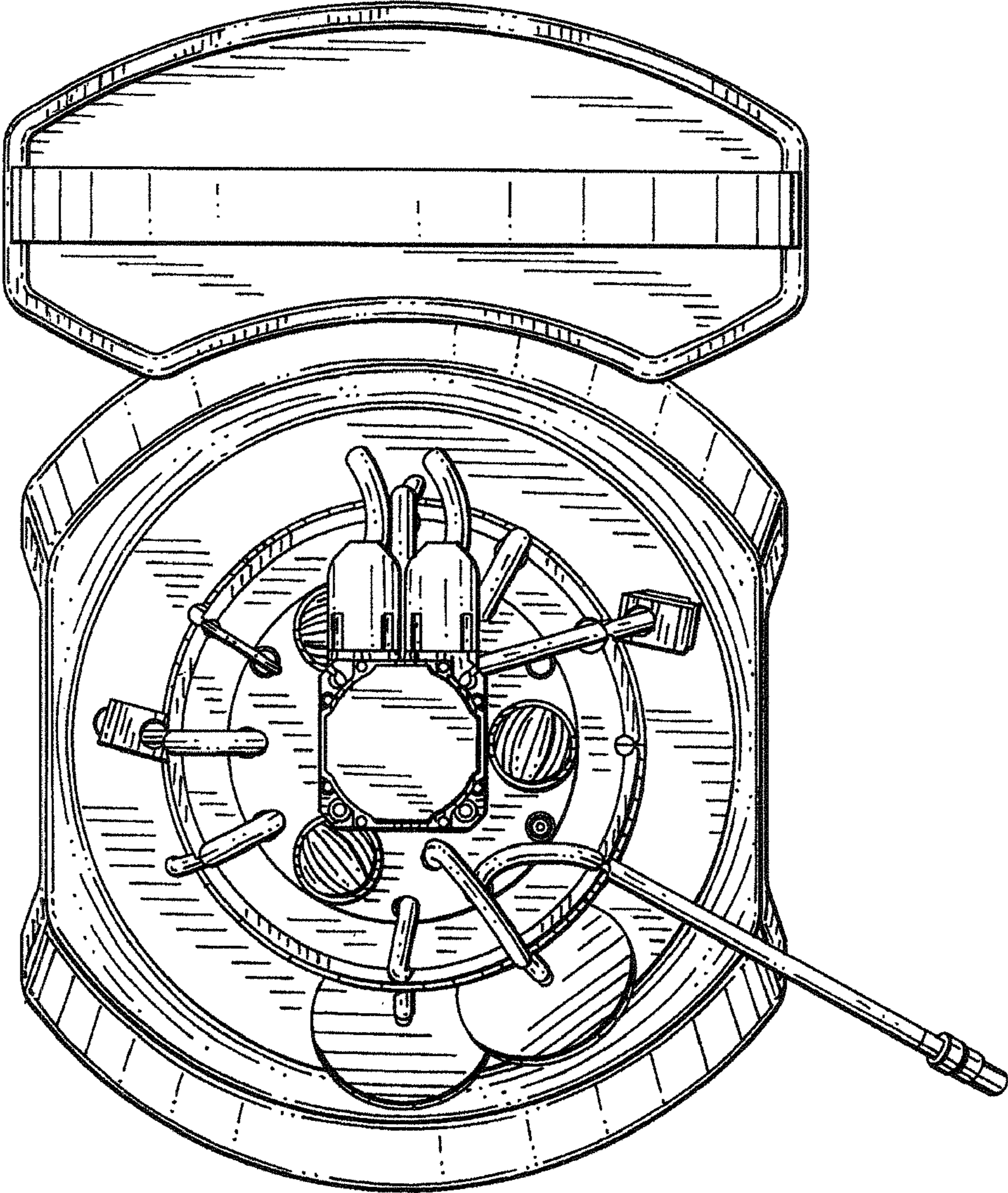


FIG.3

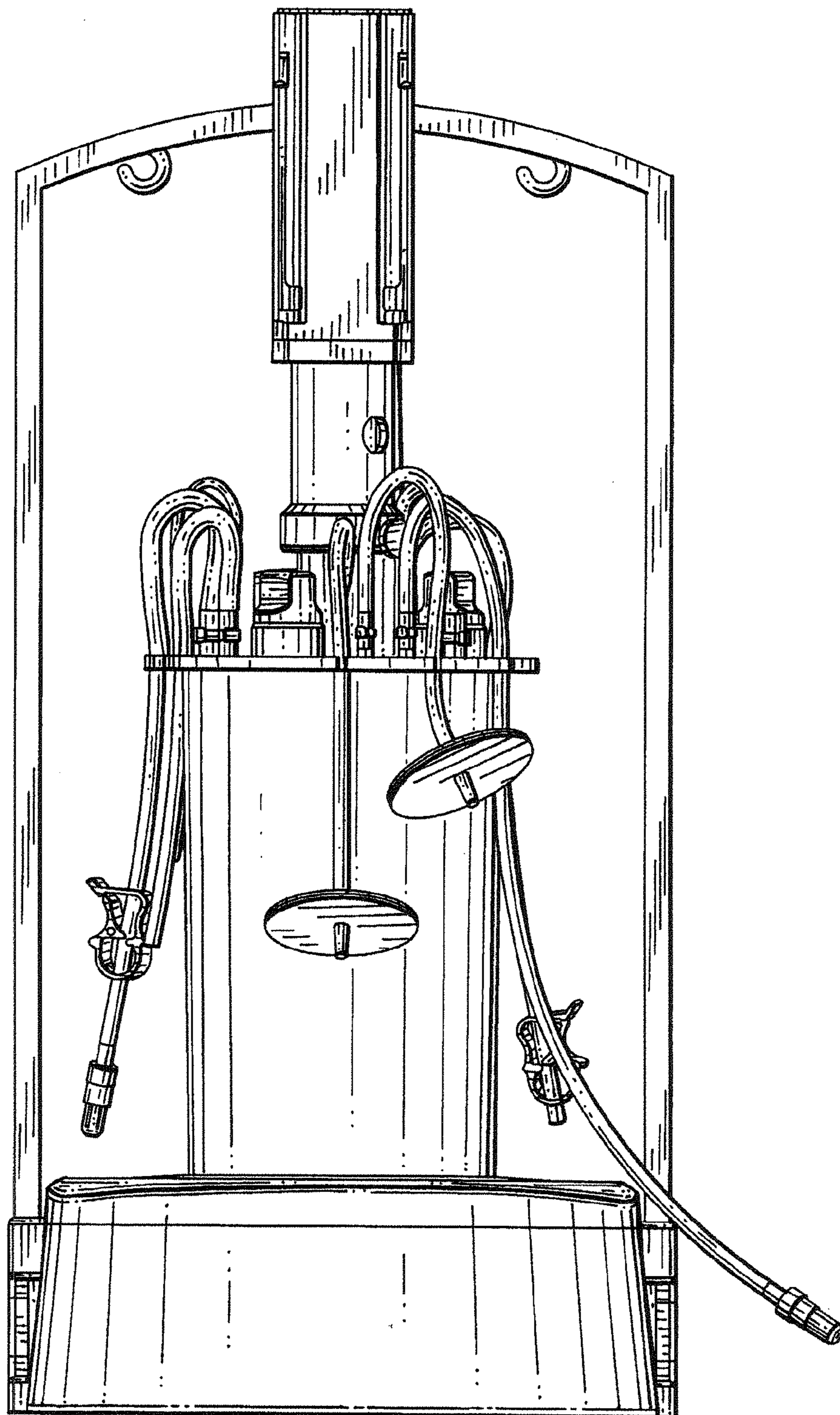


FIG. 4

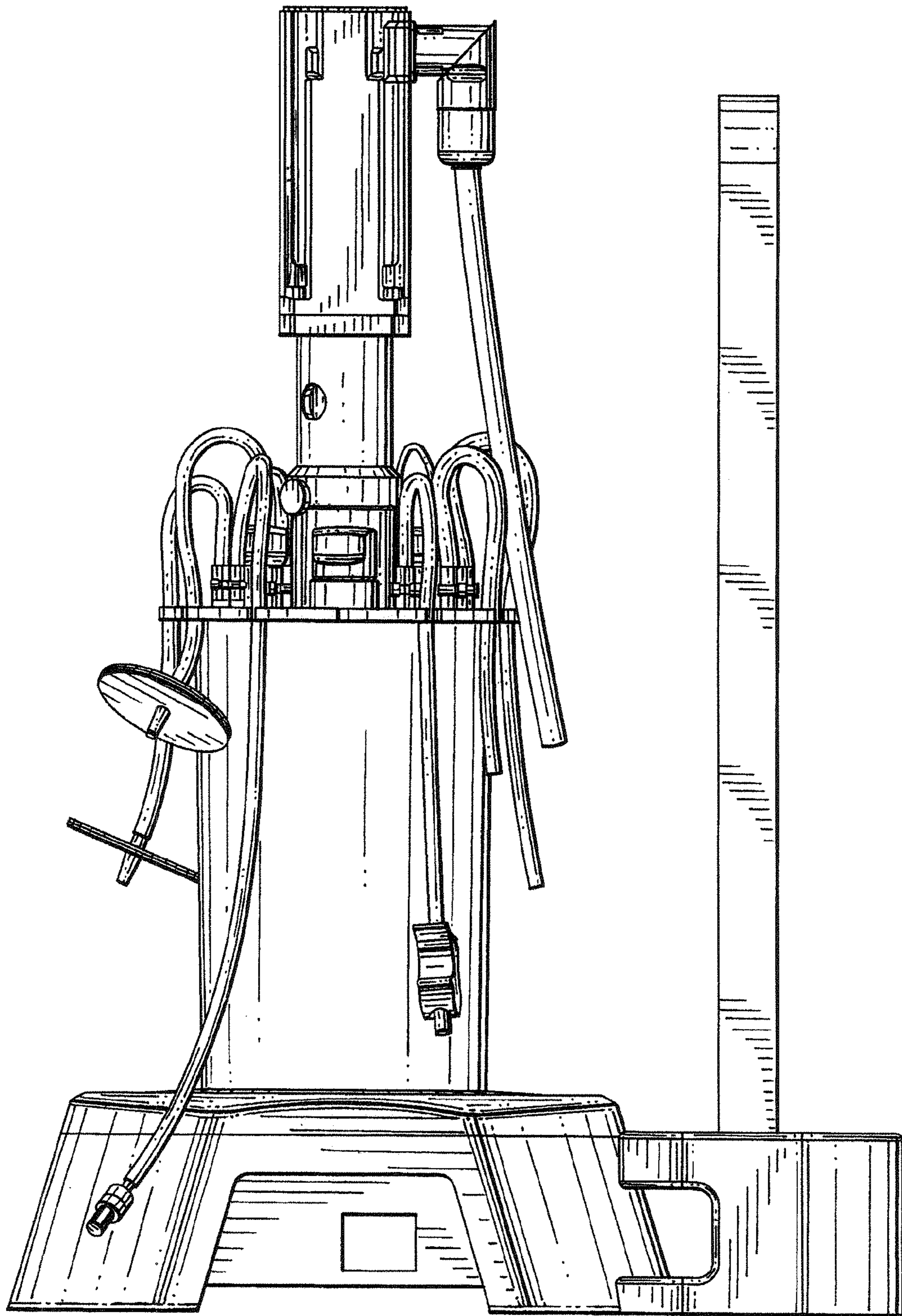


FIG.5

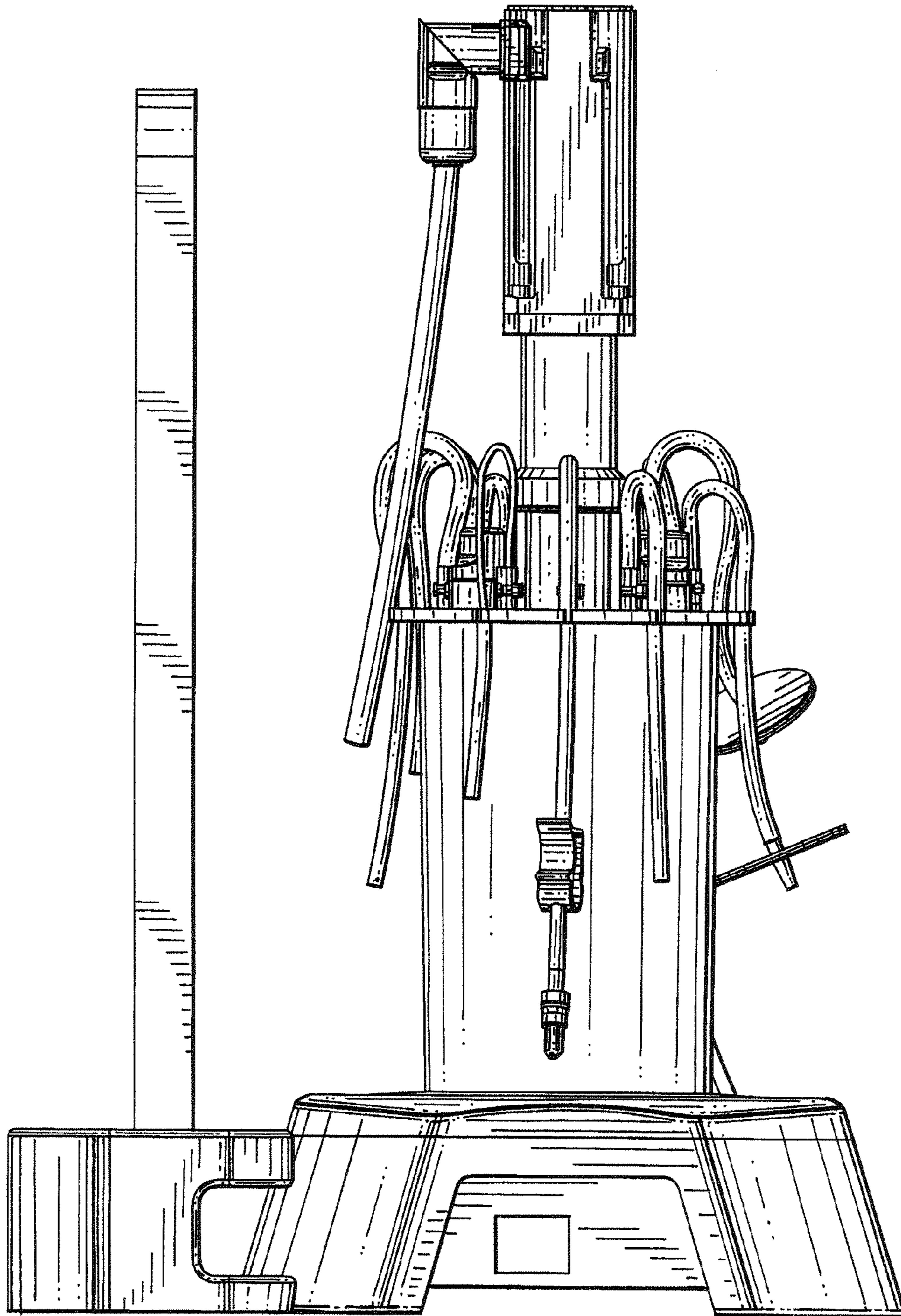


FIG.6

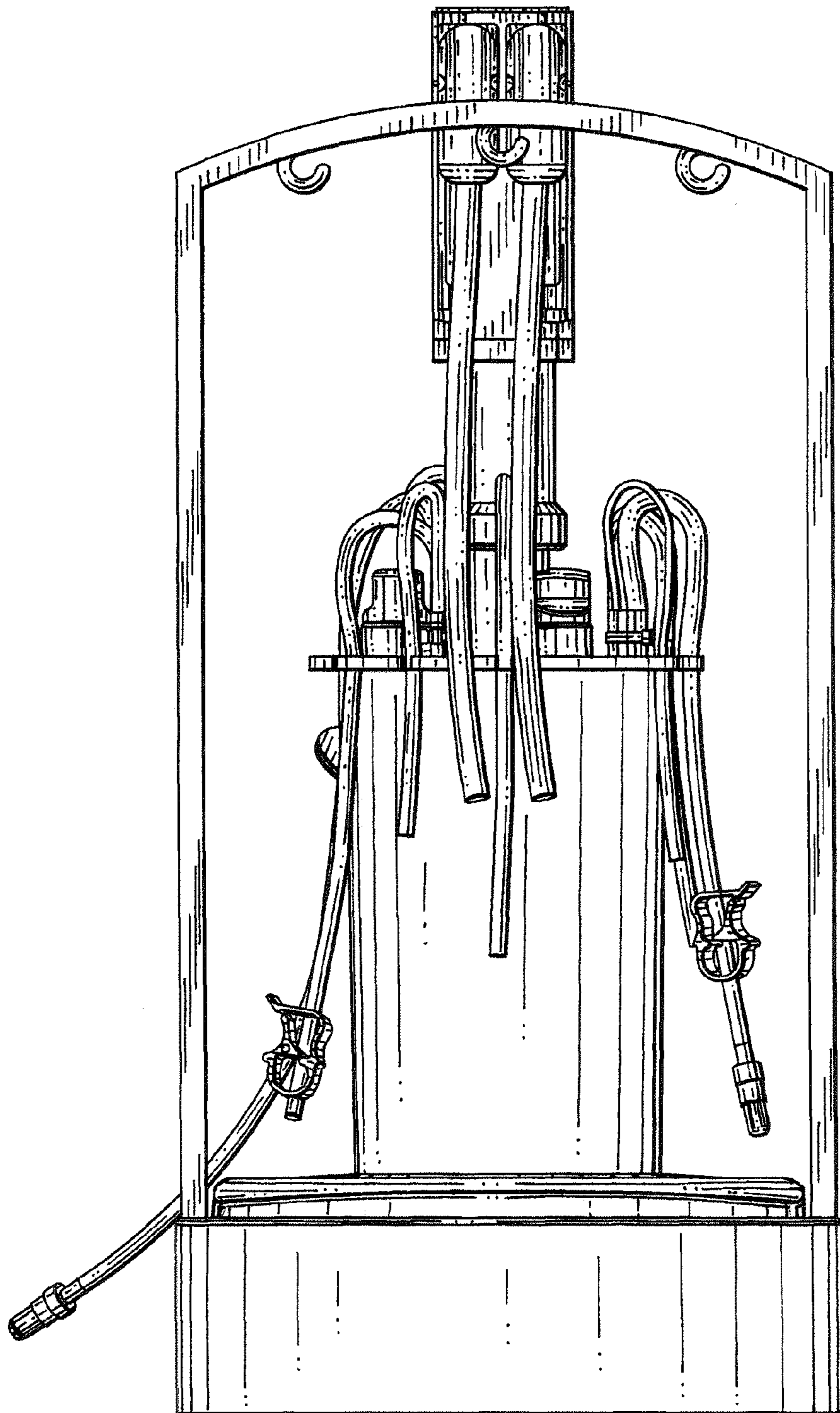


FIG. 7

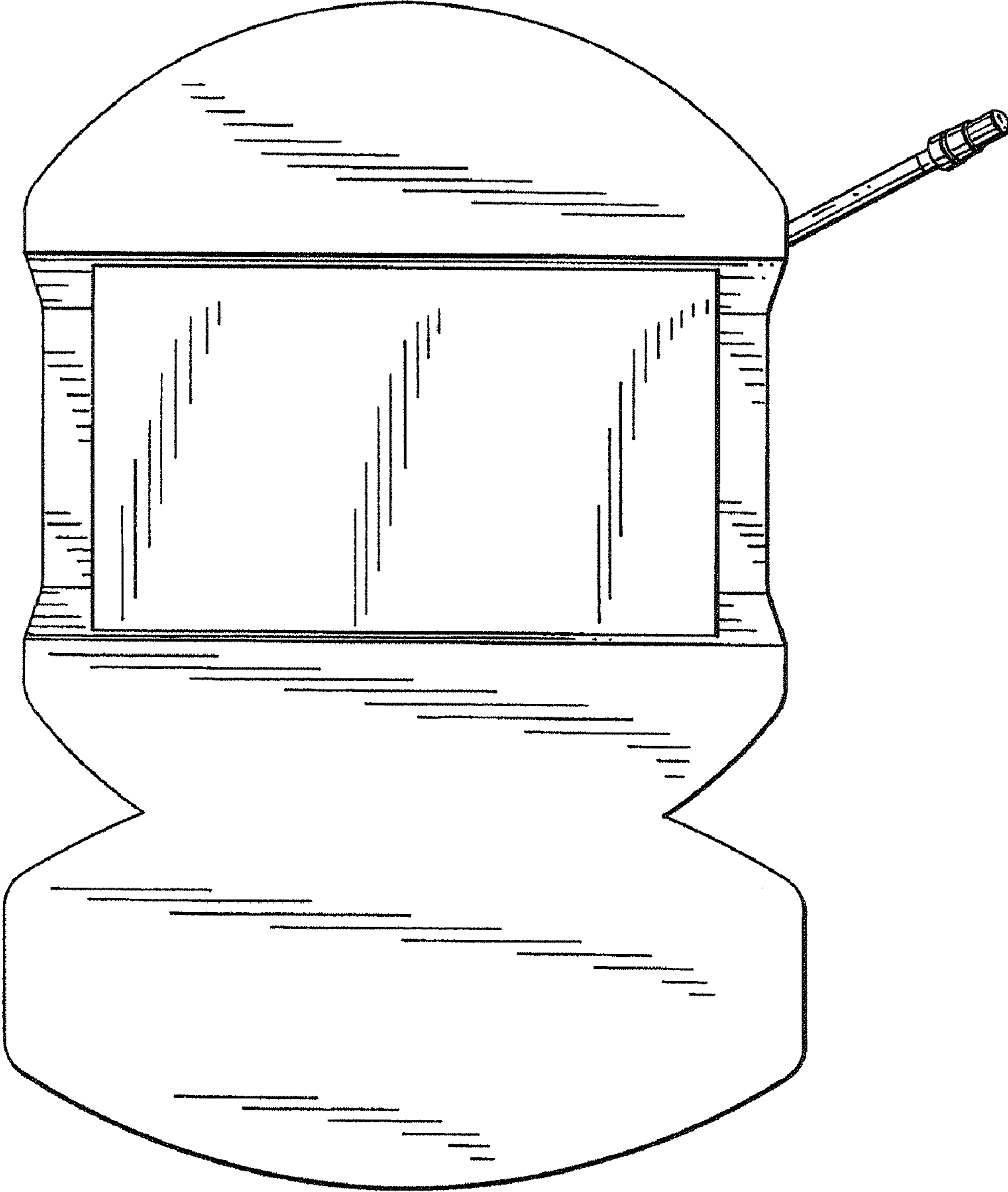


FIG.8