



US00D678535S

(12) **United States Design Patent**  
**Ramirez**

(10) **Patent No.:** **US D678,535 S**  
(45) **Date of Patent:** **\*\* Mar. 19, 2013**

(54) **REHABILITATION AID**

(76) Inventor: **Rolando Ramirez**, Missouri City, TX  
(US)

(\*\*) Term: **14 Years**

(21) Appl. No.: **29/396,857**

(22) Filed: **Jul. 7, 2011**

(51) **LOC (9) Cl.** ..... **24-04**

(52) **U.S. Cl.** ..... **D24/189**

(58) **Field of Classification Search** ..... D24/200,  
D24/189, 188; 600/9, 15; 602/41, 42, 44,  
602/48-53, 75, 76; 128/889, 891, 892, 893,  
128/894; 606/213-216; D21/14.36; 273/236-285  
See application file for complete search history.

(56) **References Cited**

**U.S. PATENT DOCUMENTS**

D261,936 S *	11/1981	Sumiyasu	.....	D24/211
D296,341 S *	6/1988	Schmitz	.....	D21/347
5,304,111 A *	4/1994	Mitsuno et al.	.....	600/9
D371,167 S *	6/1996	Murphy	.....	D21/366
5,993,375 A *	11/1999	Engel	.....	600/15
D439,982 S *	4/2001	Ruscitti	.....	D24/188
D445,139 S *	7/2001	Bish	.....	D21/366

D450,351 S *	11/2001	Fong	.....	D21/335
D591,359 S *	4/2009	Hibbert	.....	D21/366
D656,559 S *	3/2012	Fuchs	.....	D21/338

\* cited by examiner

*Primary Examiner* — T. Chase Nelson

*Assistant Examiner* — Michelle E Wilson

(74) *Attorney, Agent, or Firm* — QuickPatents; Kevin Prince

(57) **CLAIM**

I claim the ornamental design for a rehabilitation aid, as shown and described.

**DESCRIPTION**

FIG. 1 is a perspective view of a rehabilitation aid, showing my new design;

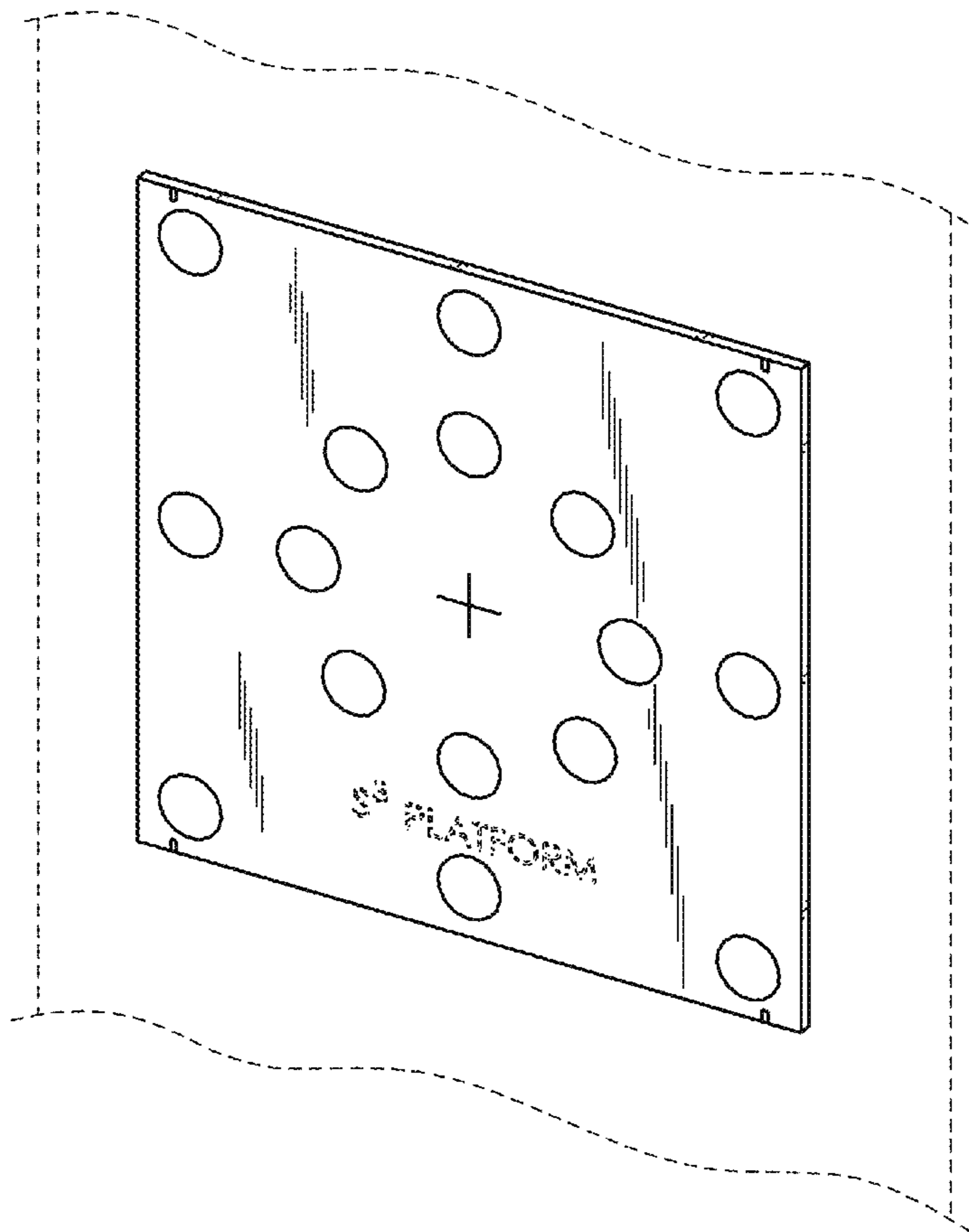
FIG. 2 is a front elevational view thereof;

FIG. 3 is a rear elevational view thereof; and,

FIG. 4 is a left-side elevational view thereof, the right-side elevational view, top plan view, and bottom plan view all being a mirror image thereof.

The broken lines showing a wall to which the design is mounted in FIG. 1 depict environmental matter and form no part of the claimed design.

**1 Claim, 2 Drawing Sheets**



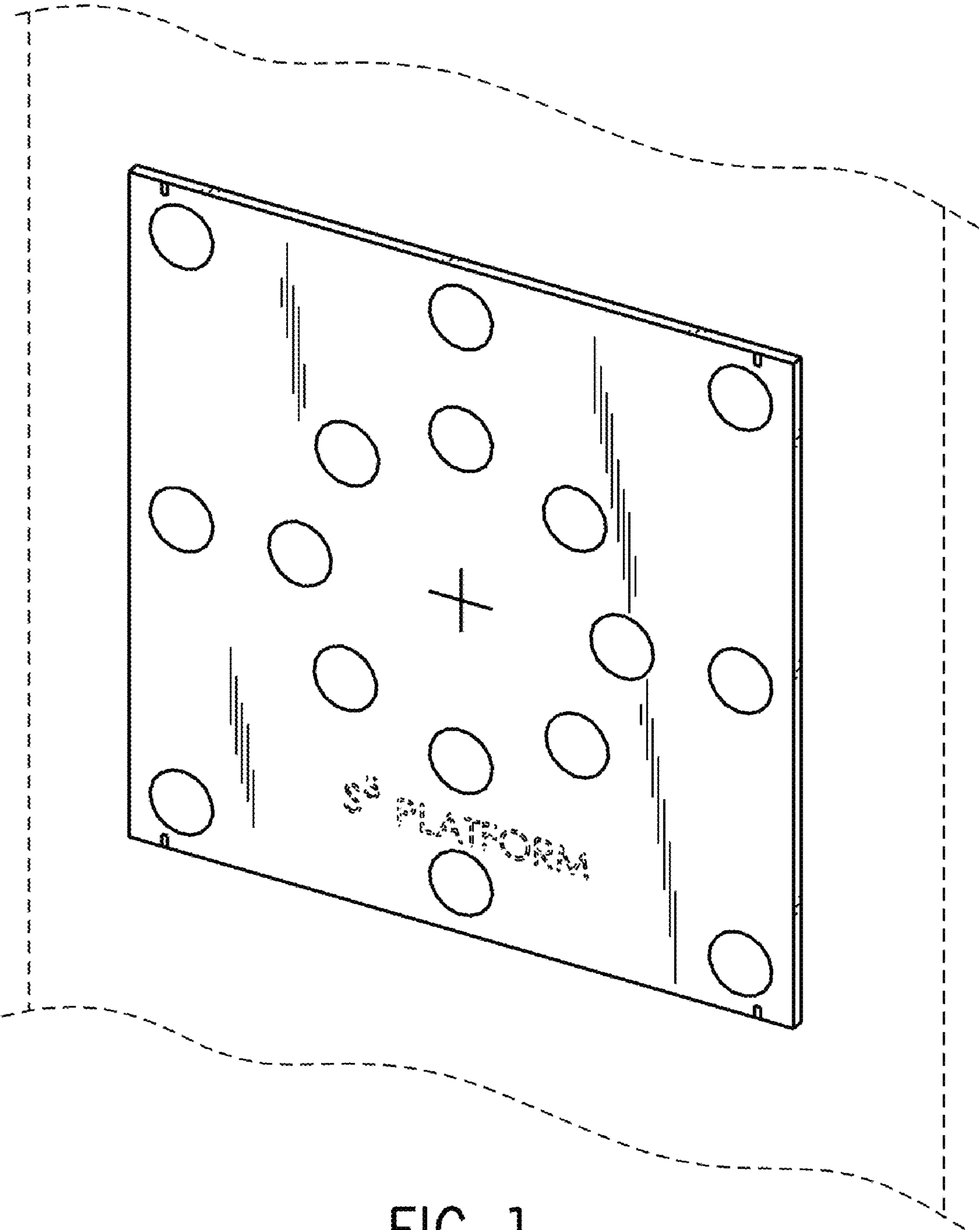


FIG. 1

FIG. 2

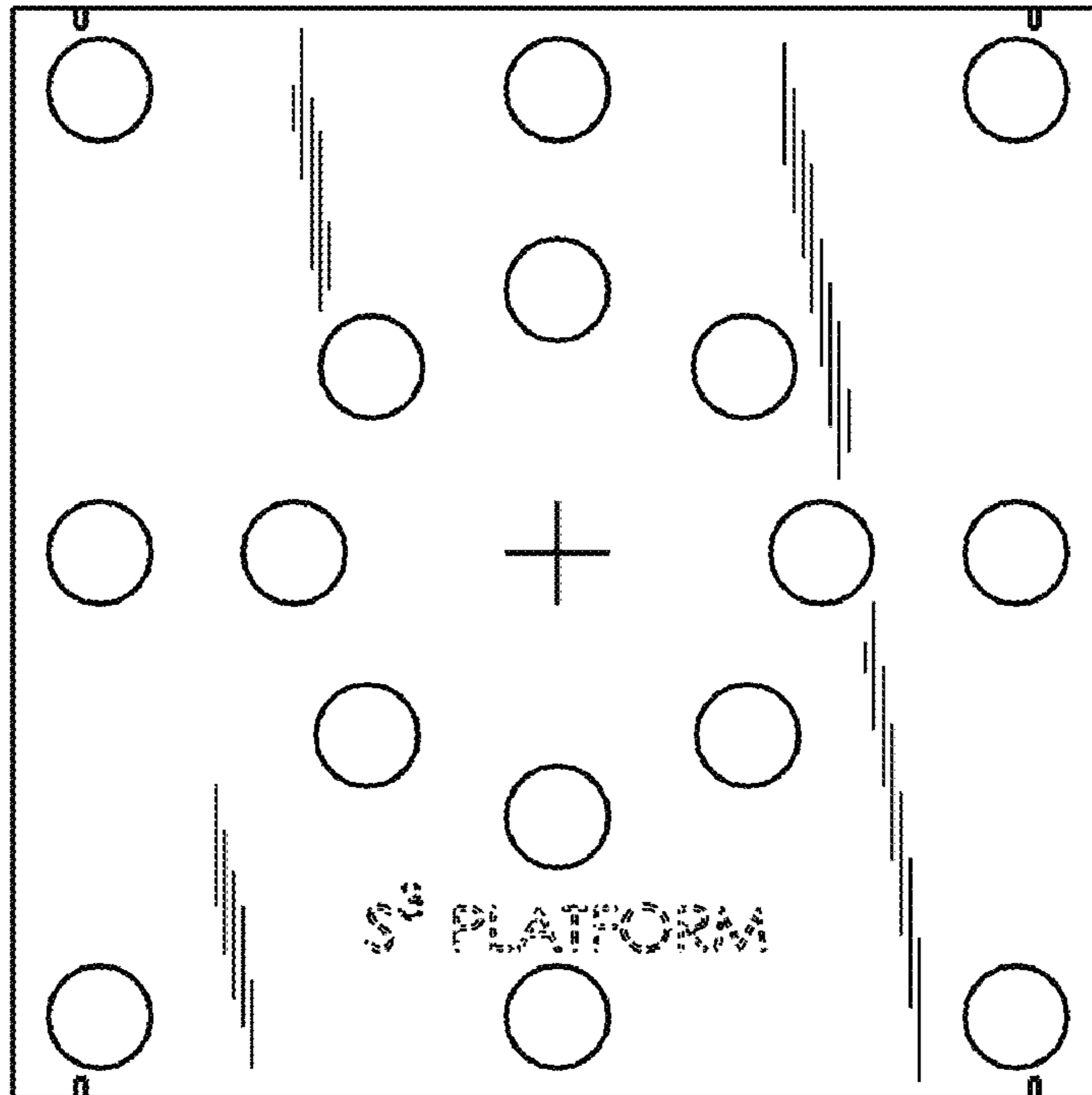


FIG. 3

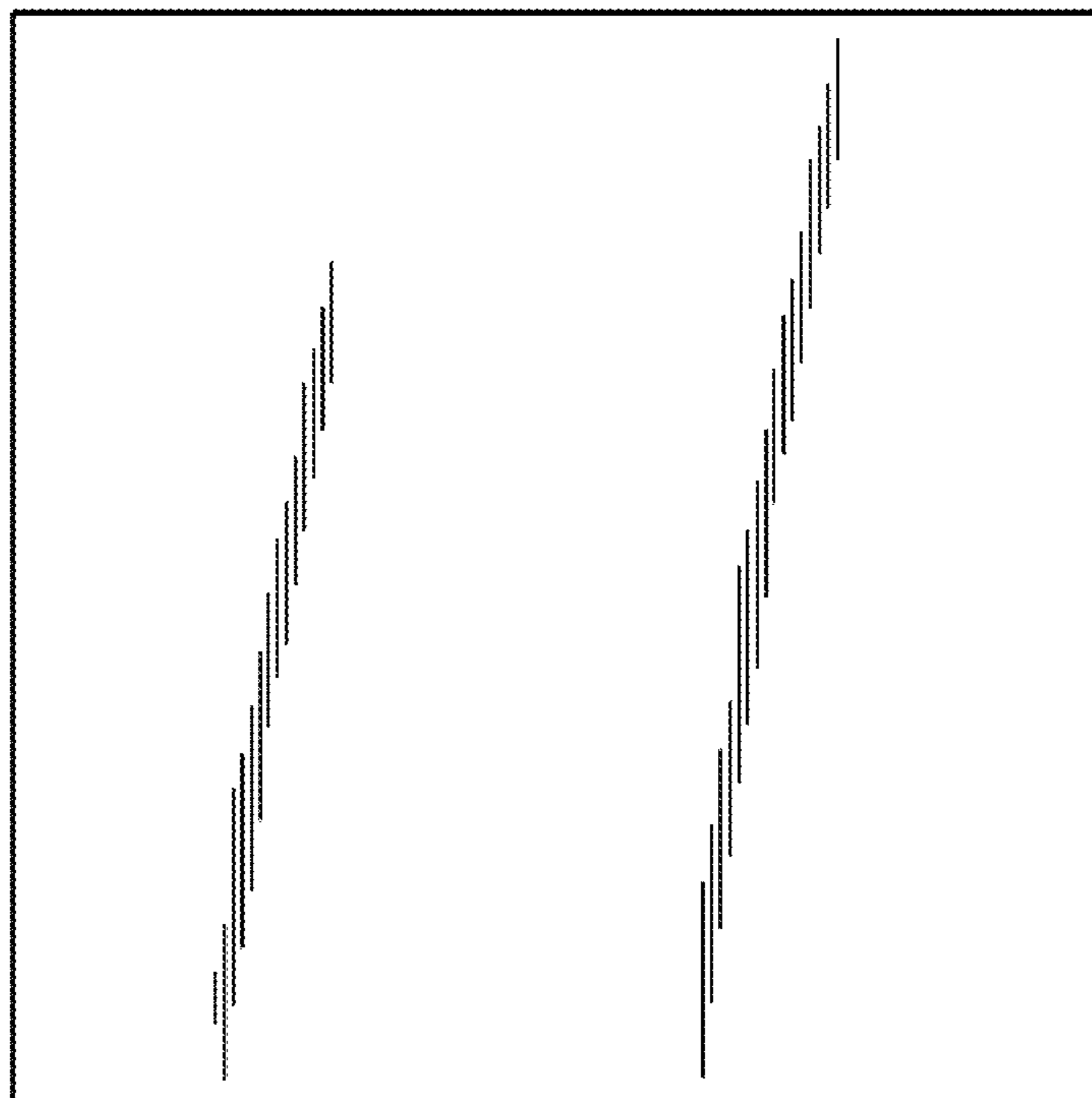


FIG. 4

