

US00D678533S

(12) **United States Design Patent**  
**Bernstein**

(10) **Patent No.:** **US D678,533 S**  
(45) **Date of Patent:** **\*\* Mar. 19, 2013**

- (54) **ARTERIAL BLOOD PRESSURE TRANSDUCER MODULE CLIP**
- (76) Inventor: **Kenneth Bernstein, Cary, NC (US)**
- (\*\*) Term: **14 Years**
- (21) Appl. No.: **29/413,006**
- (22) Filed: **Feb. 9, 2012**
- (51) **LOC (9) Cl.** ..... **24-01**
- (52) **U.S. Cl.** ..... **D24/187**
- (58) **Field of Classification Search** ..... D24/164, D24/165, 168, 169, 186-187, 200, 232, 227; D13/182; 600/372-384, 391-397, 386, 323, 600/328, 335, 344, 479, 500; 607/62, 109, 607/121, 139, 149, 152, 153; D32/63; 24/131 C, 24/501, 289, 332, 511  
See application file for complete search history.

(56) **References Cited**

**U.S. PATENT DOCUMENTS**

3,137,906	A *	6/1964	Rob	.....	24/501
4,510,653	A *	4/1985	Semanko	.....	24/511
4,639,980	A	2/1987	Peterson		
4,685,464	A *	8/1987	Goldberger et al.	.....	600/344
4,867,165	A *	9/1989	Noller et al.	.....	600/328
4,883,055	A *	11/1989	Merrick	.....	600/335
5,035,243	A *	7/1991	Muz	.....	600/344
D326,715	S *	6/1992	Schmidt	.....	D24/129
5,249,576	A *	10/1993	Goldberger et al.	.....	600/323
5,280,789	A	1/1994	Potts		
5,344,414	A	9/1994	Lopez et al.		
D356,870	S *	3/1995	Ivers et al.	.....	D24/164
6,196,503	B1	3/2001	Cernosek et al.		
6,248,077	B1	6/2001	Elson et al.		
D455,834	S *	4/2002	Donars et al.	.....	D24/169
D459,478	S *	6/2002	Perricone	.....	D29/114
D459,479	S *	6/2002	Perricone	.....	D24/200
6,632,189	B1	10/2003	Fallen et al.		
6,726,672	B1	4/2004	Hanly et al.		
6,804,866	B2	10/2004	Lemke et al.		
7,477,924	B2 *	1/2009	Chin	.....	600/323
D603,966	S *	11/2009	Jones et al.	.....	D24/164
D615,655	S *	5/2010	Maser et al.	.....	D24/169
D617,002	S *	6/2010	Lundkvist	.....	D24/227
7,744,573	B2	6/2010	Gordon et al.		

D621,516	S *	8/2010	Kiani et al.	.....	D24/186
7,871,368	B2	1/2011	Zollinger et al.		
7,881,762	B2 *	2/2011	Kling et al.	.....	600/344
7,918,828	B2	4/2011	Lundgaard et al.		
D646,391	S *	10/2011	Ibuki et al.	.....	D24/165
8,060,171	B2 *	11/2011	Hoarau et al.	.....	600/323
2009/0043180	A1 *	2/2009	Tschautscher et al.	.....	600/323
2009/0062738	A1	3/2009	Ziegler		
2010/0056932	A1	3/2010	Roteliuk et al.		

**OTHER PUBLICATIONS**

“TruWave Disposable Pressure Transducer.” Product information sheet. 1 page. Edwards Lifesciences LLC, Irvine, CA. Accessed on Aug. 16, 2012, at <http://www.edwards.com/products/pressuremonitoring/pages/truwave.aspx>.

(Continued)

*Primary Examiner* — T. Chase Nelson  
*Assistant Examiner* — Mark Cavanna  
(74) *Attorney, Agent, or Firm* — Coats & Bennett, P.L.L.C.

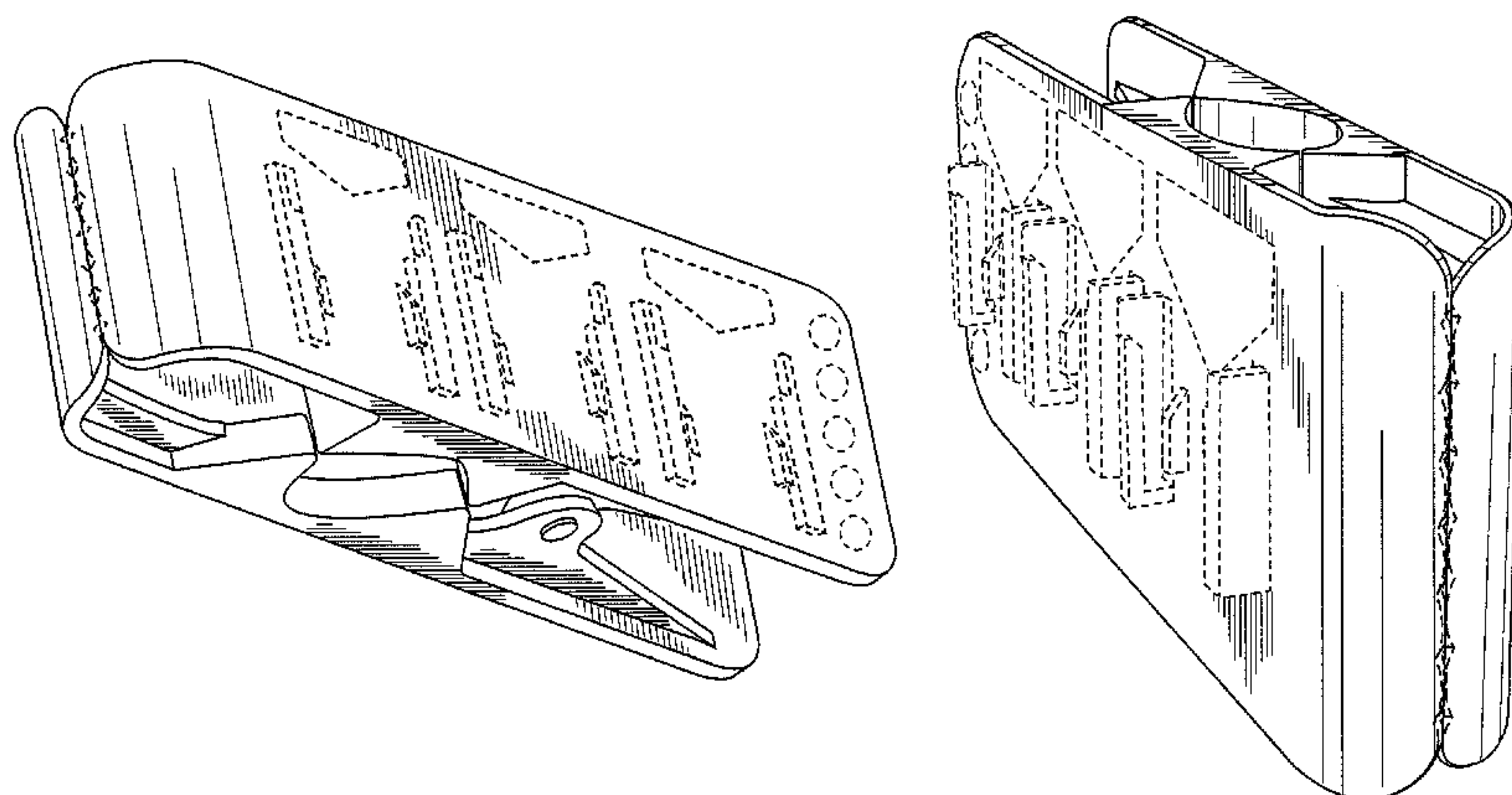
(57) **CLAIM**

The ornamental design for an arterial blood pressure transducer module clip, as shown and described.

**DESCRIPTION**

FIG. 1 is a front, bottom perspective view of an arterial blood pressure transducer module clip showing my new design. FIG. 2 is a front, top perspective view of the arterial blood pressure transducer module clip. FIG. 3 is a side view of the first side of the arterial blood pressure transducer module clip. FIG. 4 is a side view of the second side of the arterial blood pressure transducer module clip. FIG. 5 is a top view of the arterial blood pressure transducer module clip. FIG. 6 is a bottom view of the arterial blood pressure transducer module clip. FIG. 7 is a front view of the arterial blood pressure transducer module clip. FIG. 8 is a rear view of the arterial blood pressure transducer module clip; and, FIG. 9 is a top perspective view of the arterial blood pressure transducer module clip. Throughout the Figures, aspects shown in broken lines are not considered a portion of the claimed ornamental design.

**1 Claim, 7 Drawing Sheets**



OTHER PUBLICATIONS

“Pressure Monitoring Disposable Transducer Systems.” 1 page. Smiths Medical, St. Paul, MN. Accessed on Aug. 16, 2012, at <http://www.smiths-medical.com/>.

“Disposable Blood Pressure Transducer.” Product and ordering information, 2 pages. Accessed on Aug. 16, 2012, at Alibaba.com. [http://www.alibaba.com/product-gs/325468838/Disposable\\_Blood\\_Pressure\\_Transducer.html](http://www.alibaba.com/product-gs/325468838/Disposable_Blood_Pressure_Transducer.html).

“Disposable Blood Pressure Transducer Accessories, Deltran® line.” Product and ordering information, 7 pages. Utah Medical Products Inc., Midvale, UT. Accessed on Aug. 13, 2012, at <http://www.utahmed.com/deltranacc.htm>.

\* cited by examiner

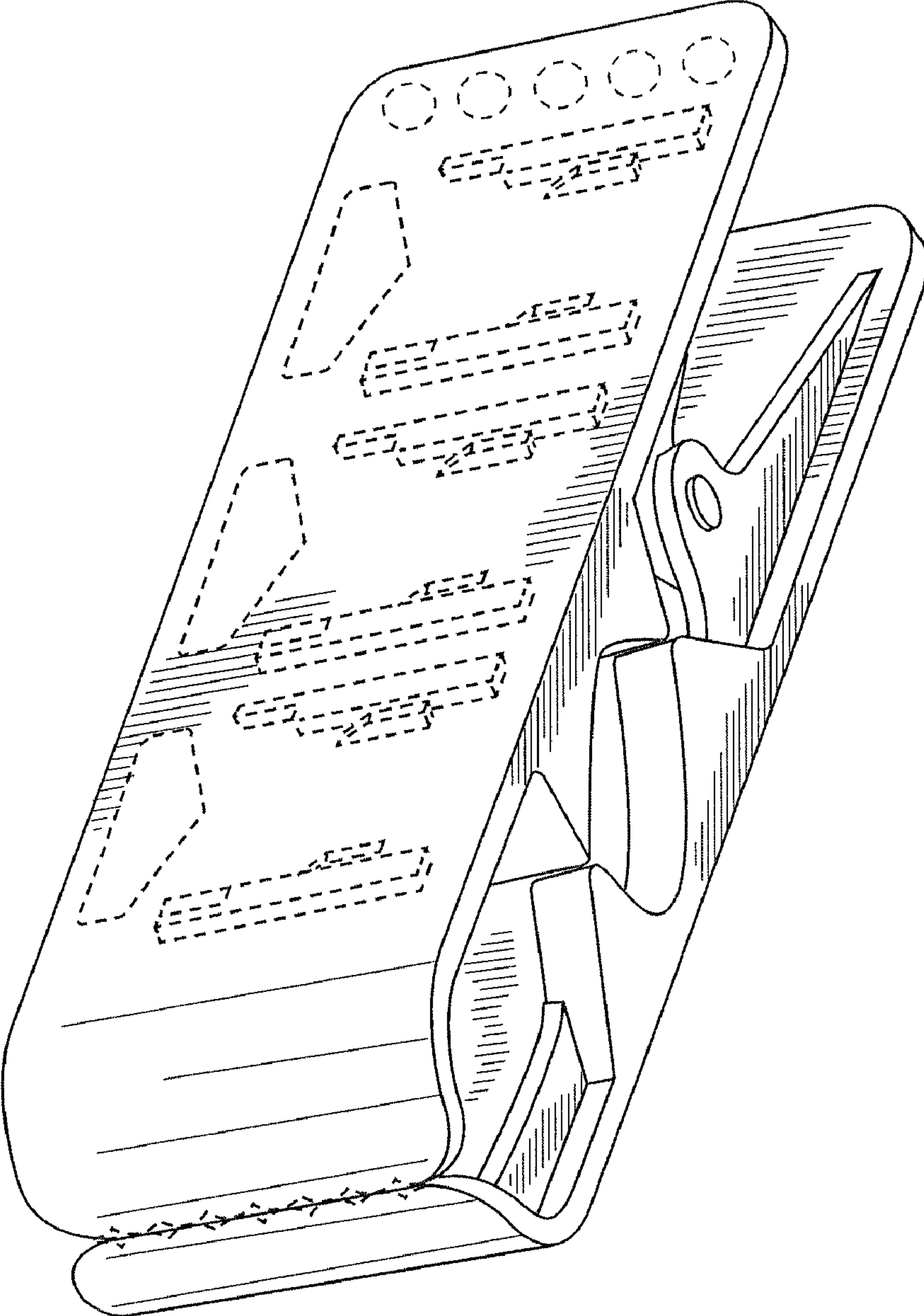


FIG. 1

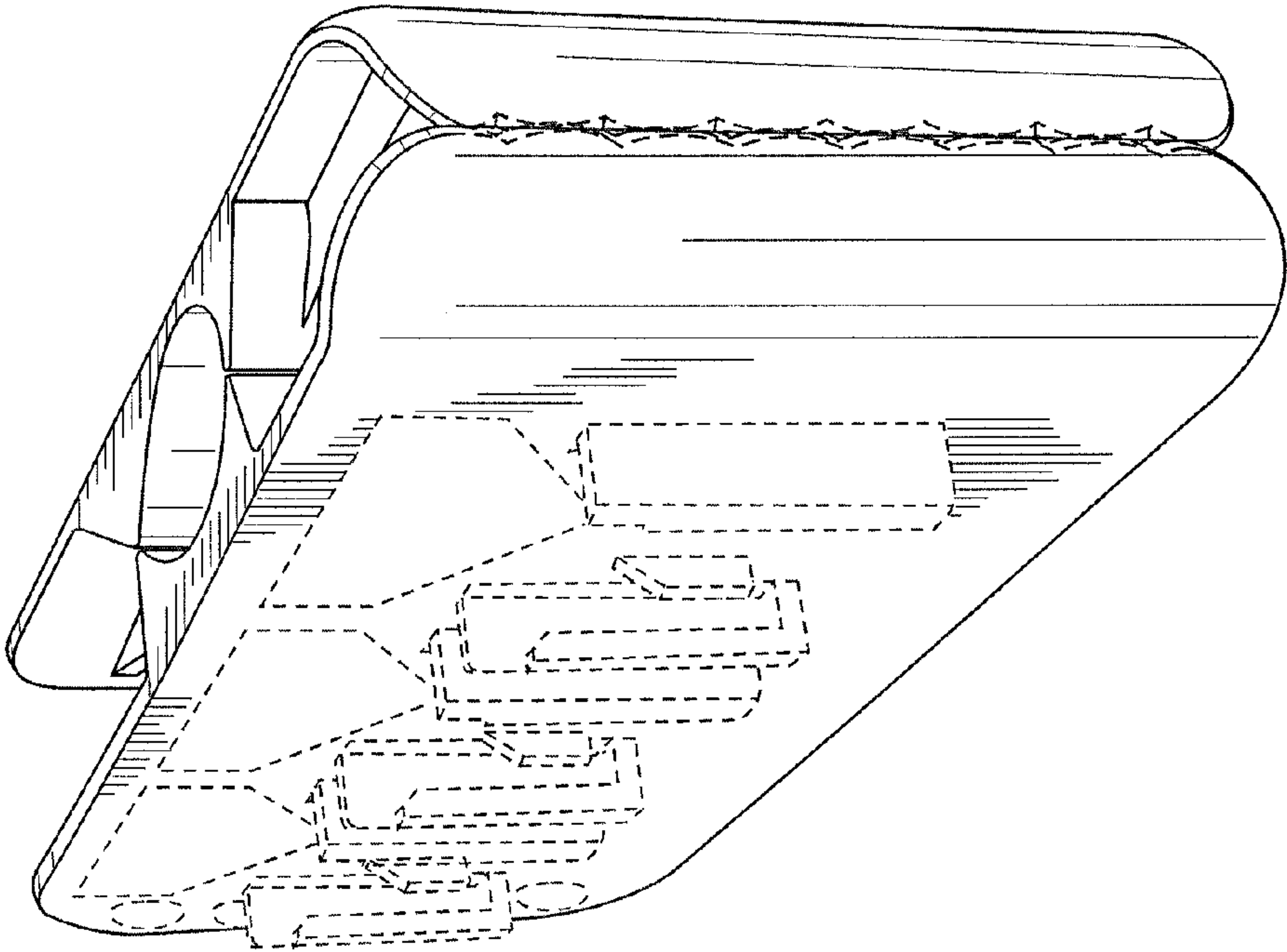


FIG. 2

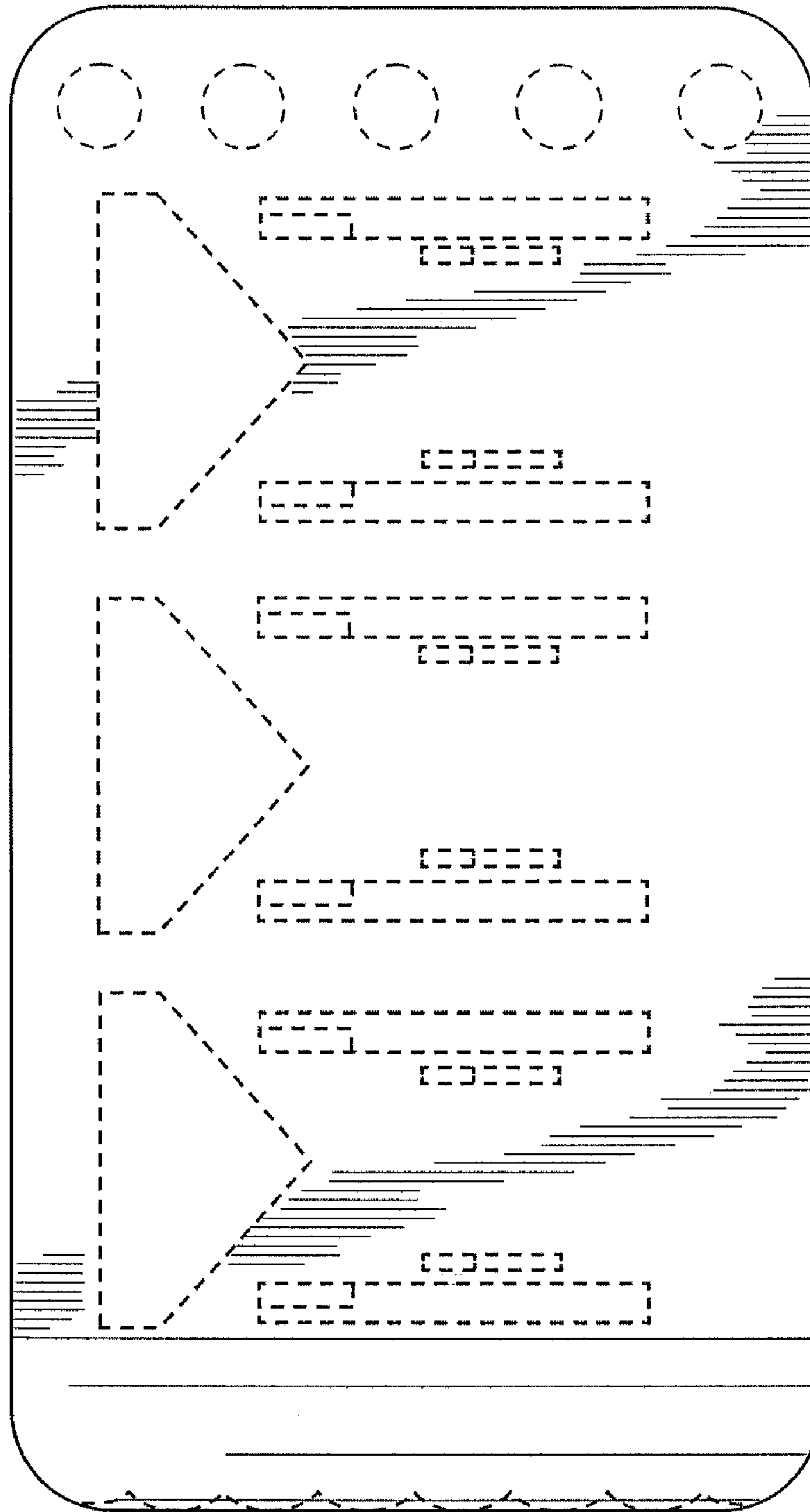


FIG. 3



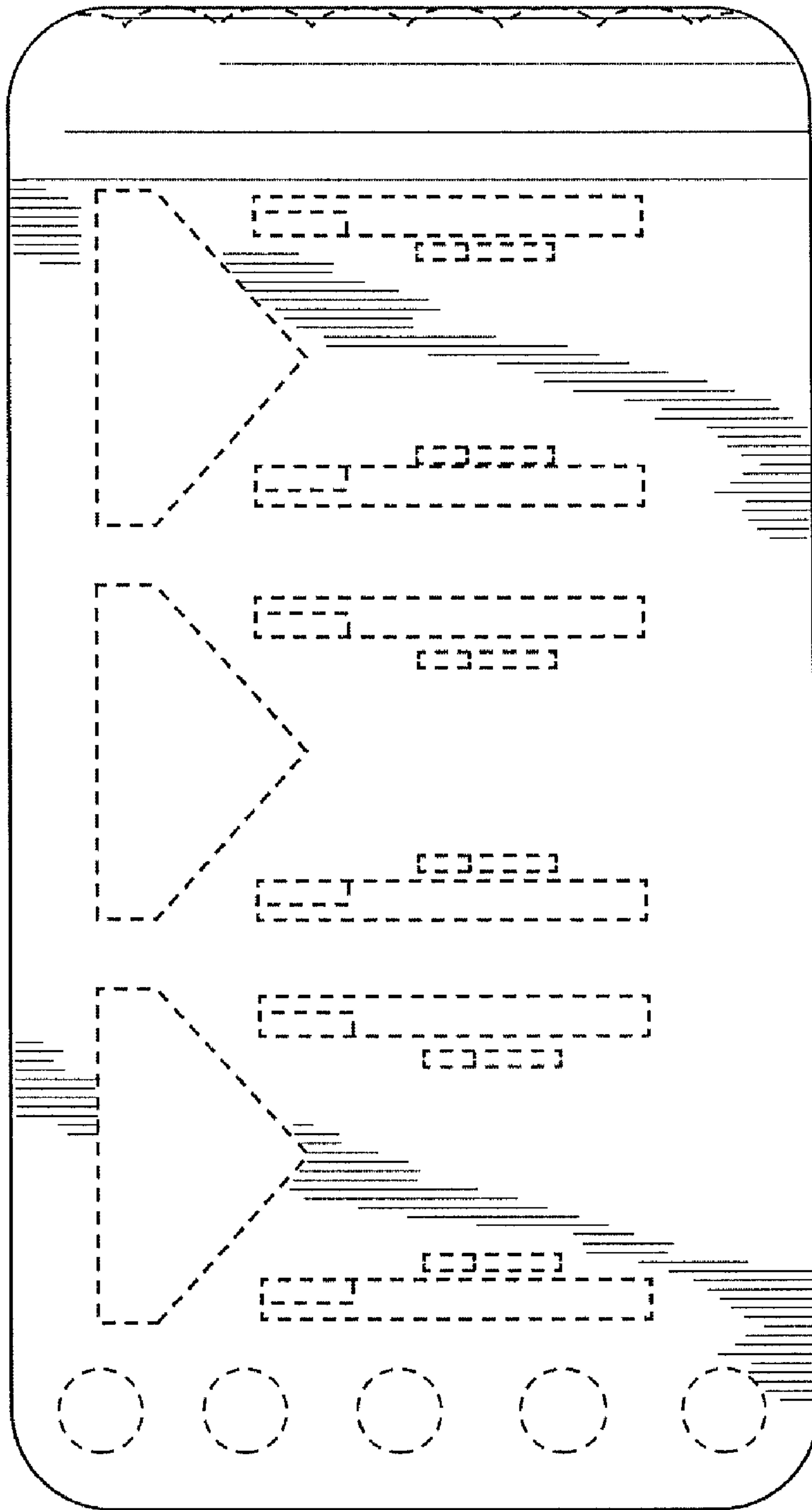


FIG. 4

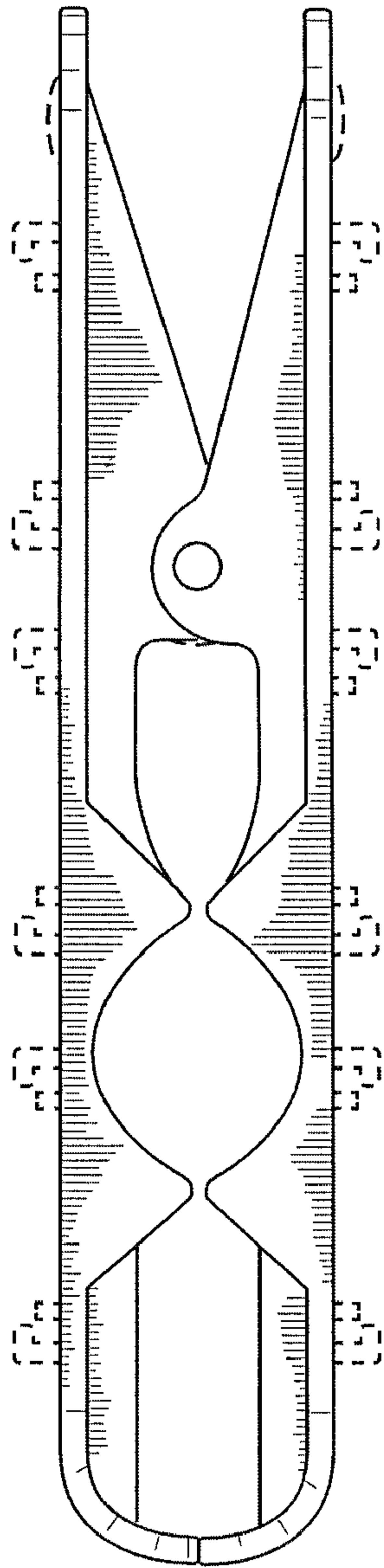


FIG. 5

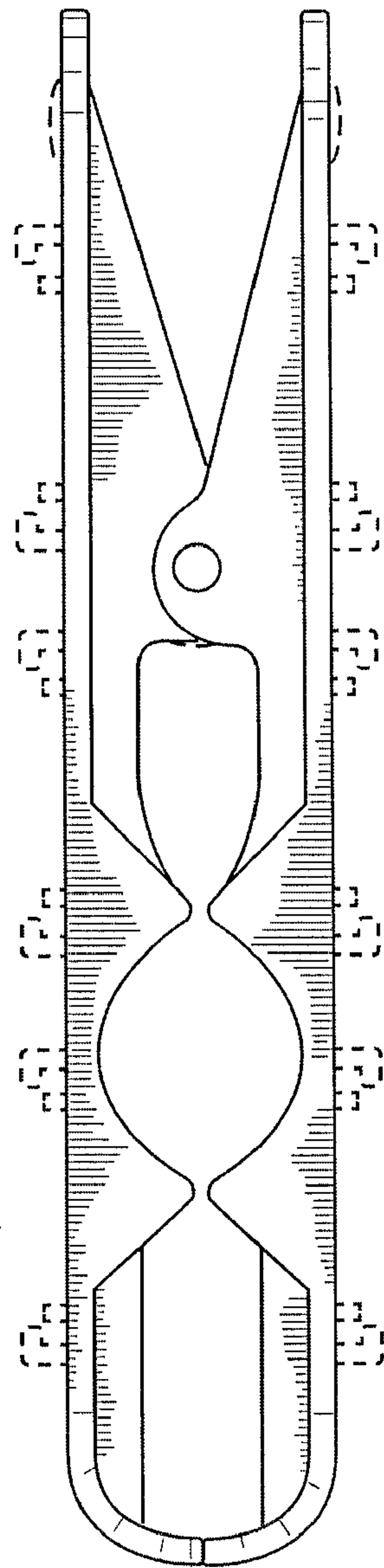


FIG. 6

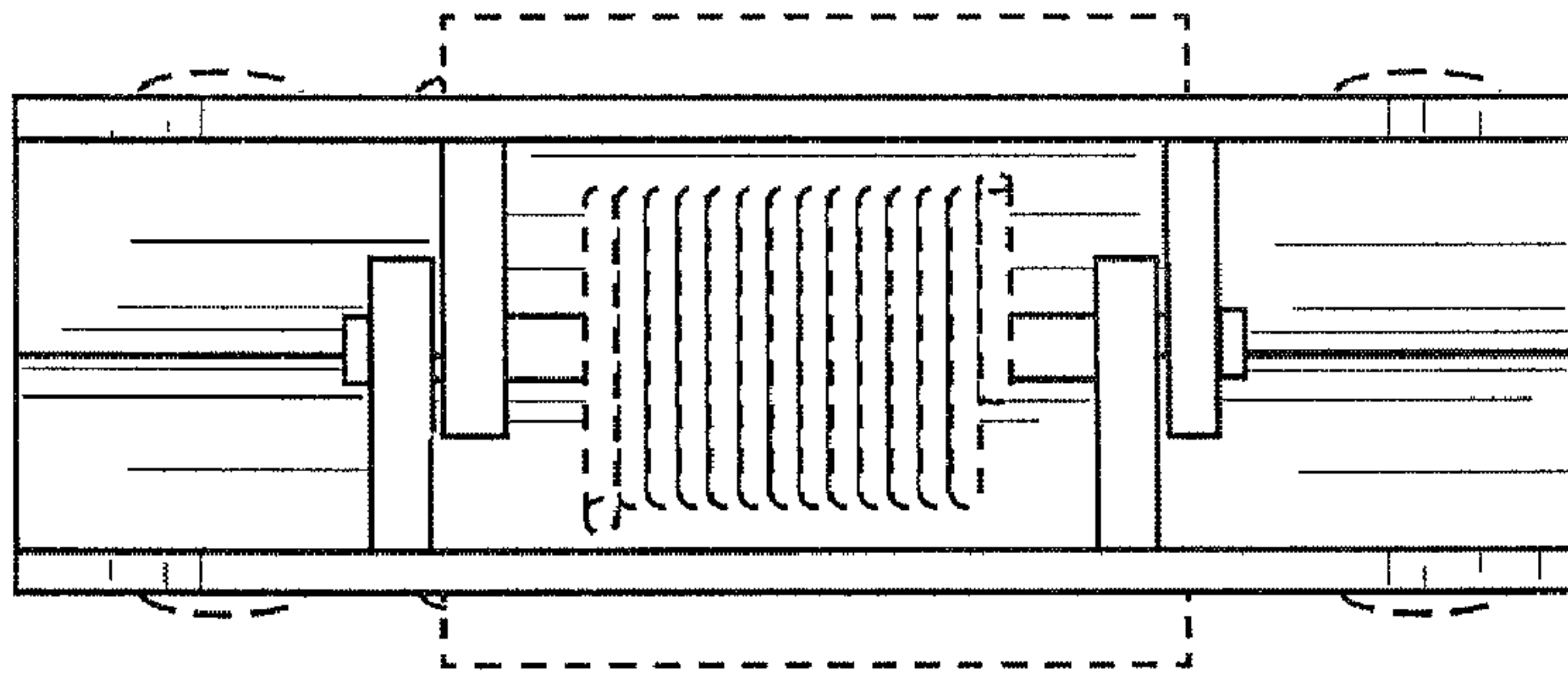


FIG. 8

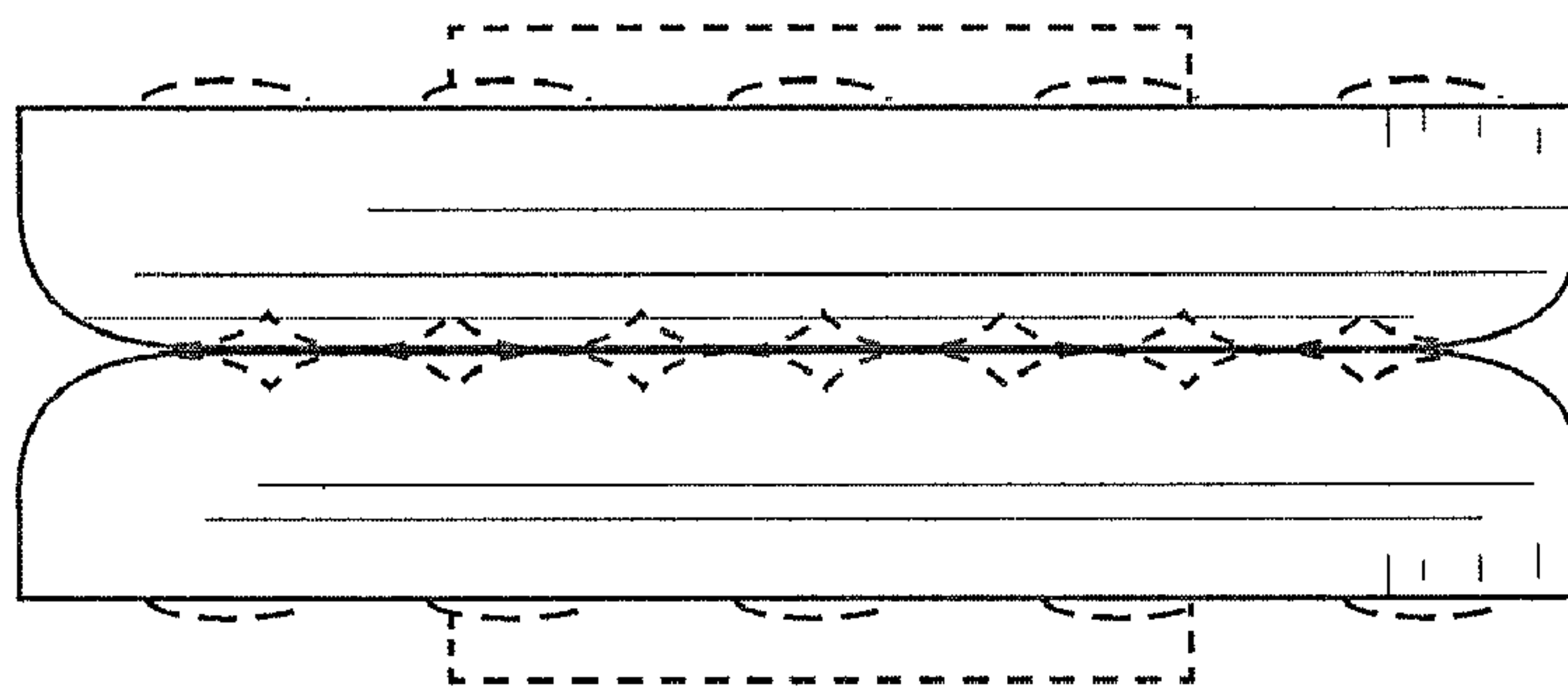


FIG. 7



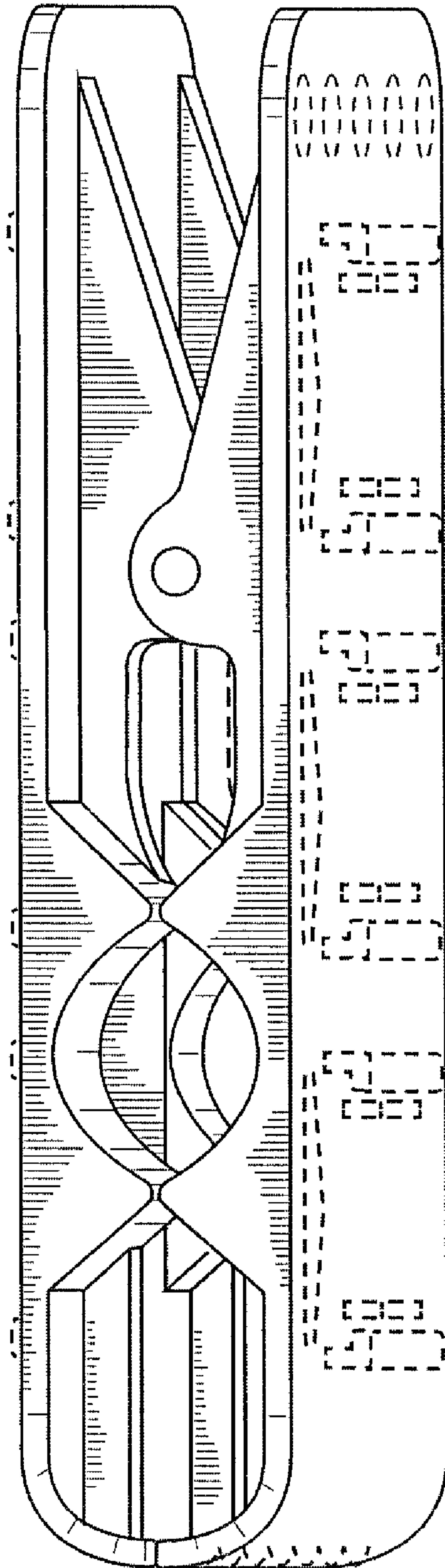


FIG. 9