



US00D678528S

(12) **United States Design Patent**
Jensen

(10) **Patent No.:** **US D678,528 S**

(45) **Date of Patent:** **** Mar. 19, 2013**

(54) **HEARING AID PART**

(75) Inventor: **Peter Nordlan Jensen**, Kastrup (DK)

(73) Assignee: **Widex A/S**, Lyngø (DK)

(**) Term: **14 Years**

(21) Appl. No.: **29/386,156**

(22) Filed: **Feb. 25, 2011**

(30) **Foreign Application Priority Data**

Aug. 26, 2010 (EM) 001747494

(51) **LOC (9) Cl.** **24-99**

(52) **U.S. Cl.** **D24/174**

(58) **Field of Classification Search** D24/173-175,
D24/151, 106; D14/205, 206, 223, 224,
D14/249, 225, 226; 381/23.1, 312, 322-324,
381/328, 330, 380, 381; 181/135
See application file for complete search history.

(56) **References Cited**

U.S. PATENT DOCUMENTS

D431,294 S * 9/2000 Barnard et al. D24/174
D468,301 S * 1/2003 Fushimi D14/223
D514,094 S * 1/2006 Griffin D14/223
D518,179 S * 3/2006 Holmes D24/174
D554,756 S * 11/2007 Sjursen et al. D24/174

D556,326 S * 11/2007 Espersen D24/174
D611,929 S * 3/2010 Blanchard D14/205
8,160,284 B2 * 4/2012 Johnson et al. 381/321
2010/0086158 A1 * 4/2010 Oberlander 381/328

* cited by examiner

Primary Examiner — Anhdao Doan

(74) *Attorney, Agent, or Firm* — Sughrue Mion, PLLC

(57) **CLAIM**

The ornamental design for a hearing aid part, as shown and described.

DESCRIPTION

This application is related to concurrently filed applications entitled "Hearing Aid Part" and identified by application Ser. Nos. 29/386,146, 29/386,150 and 29/386,154.

FIG. 1 is a bottom view of a hearing aid part showing my new design;

FIG. 2 is a front view thereof;

FIG. 3 is a right side view thereof;

FIG. 4 is a rear view thereof;

FIG. 5 is a left side view thereof;

FIG. 6 is a perspective view thereof; and,

FIG. 7 is a top view thereof.

Portions of the hearing aid part shown in broken lines form no part of the claimed design.

1 Claim, 7 Drawing Sheets

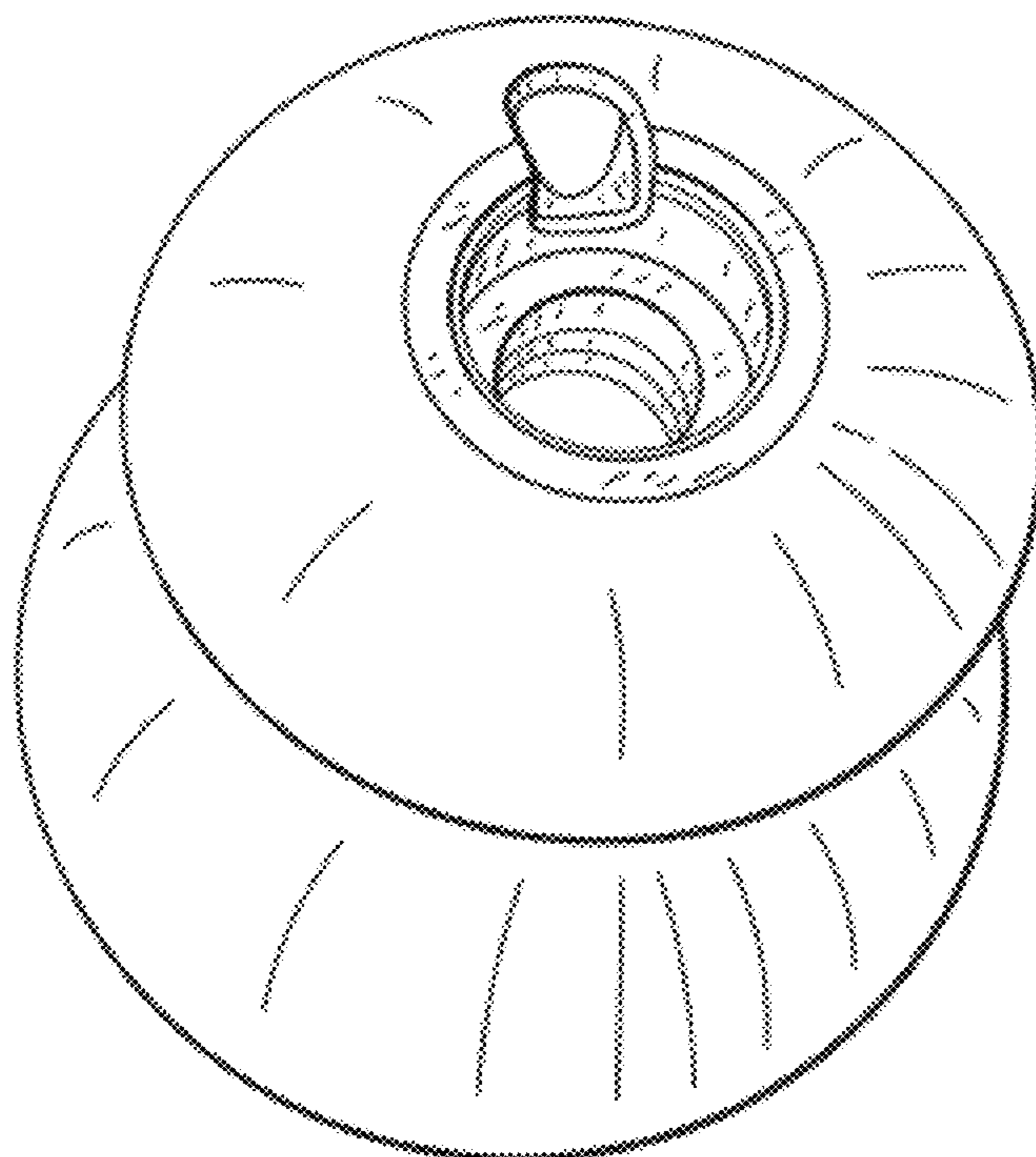


FIG. 1

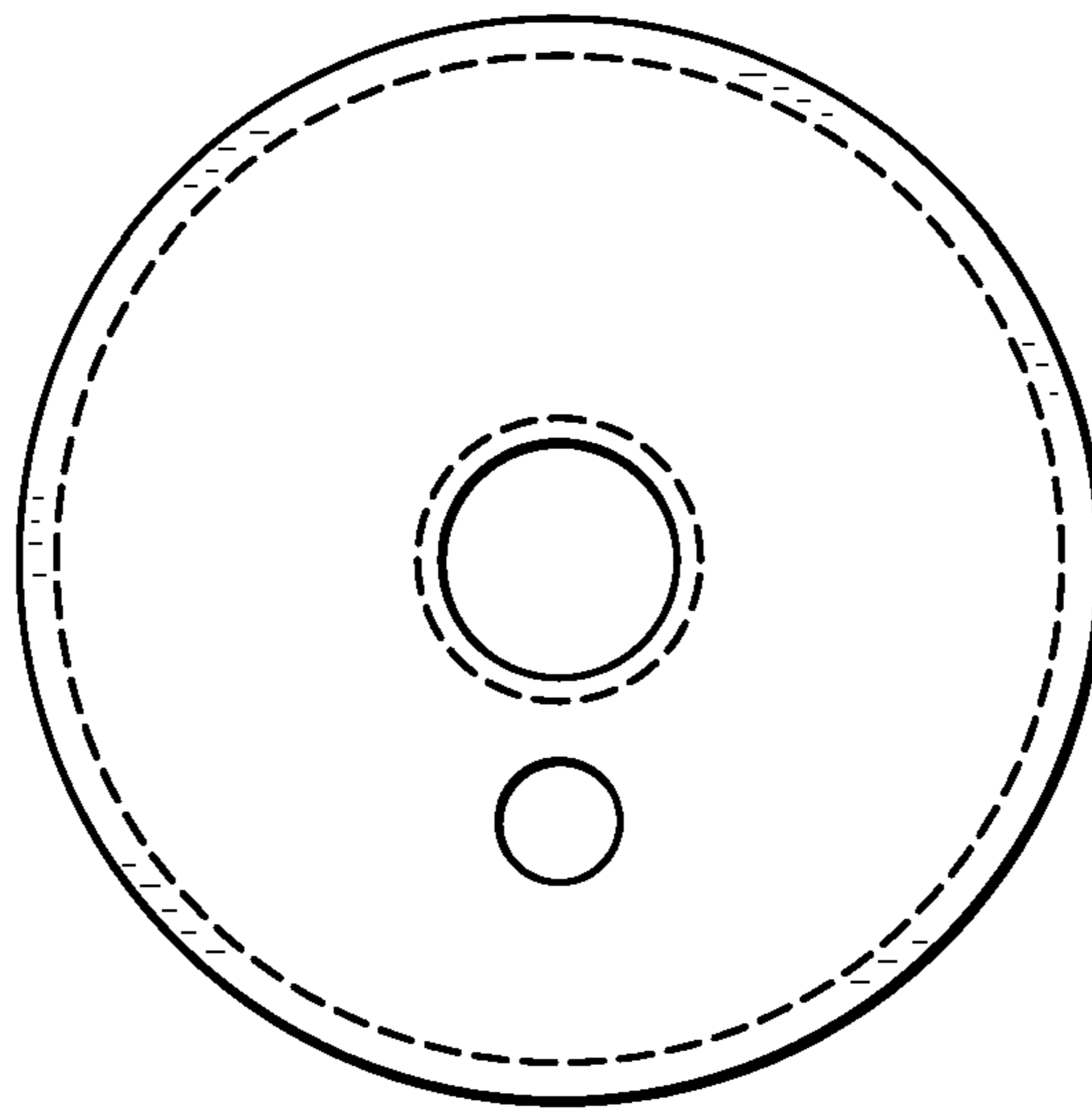


FIG. 2

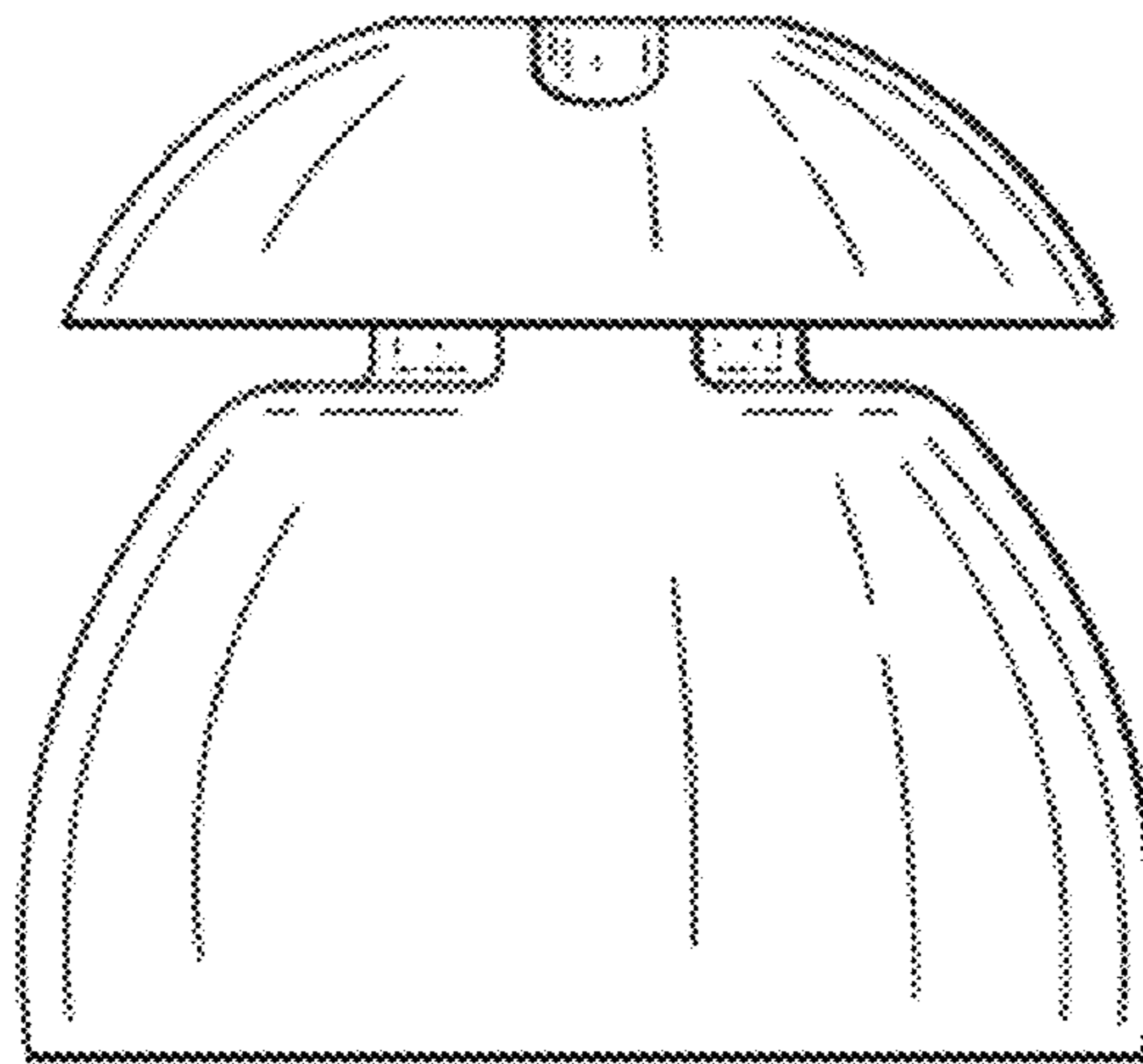


FIG. 3

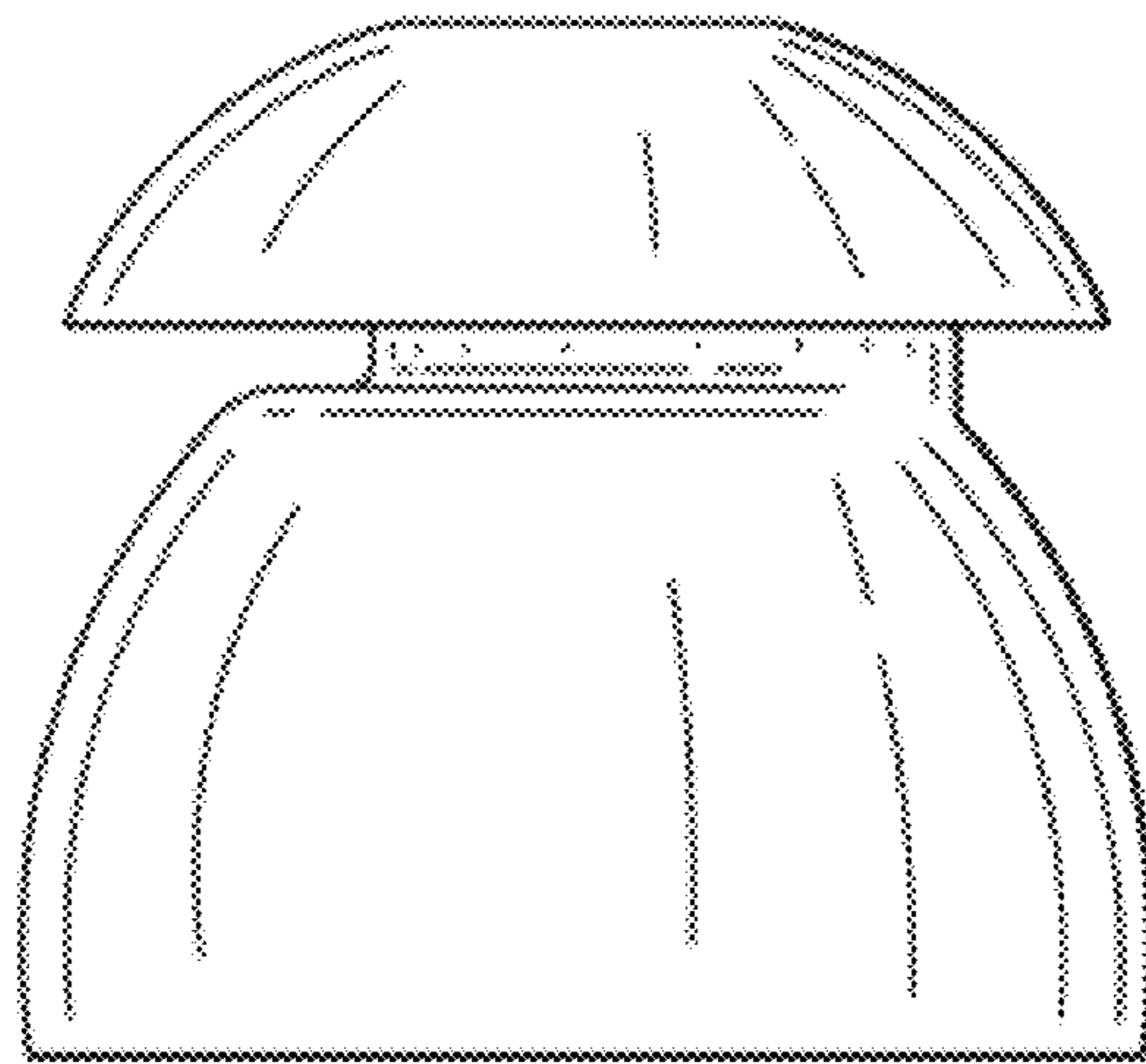


FIG. 4

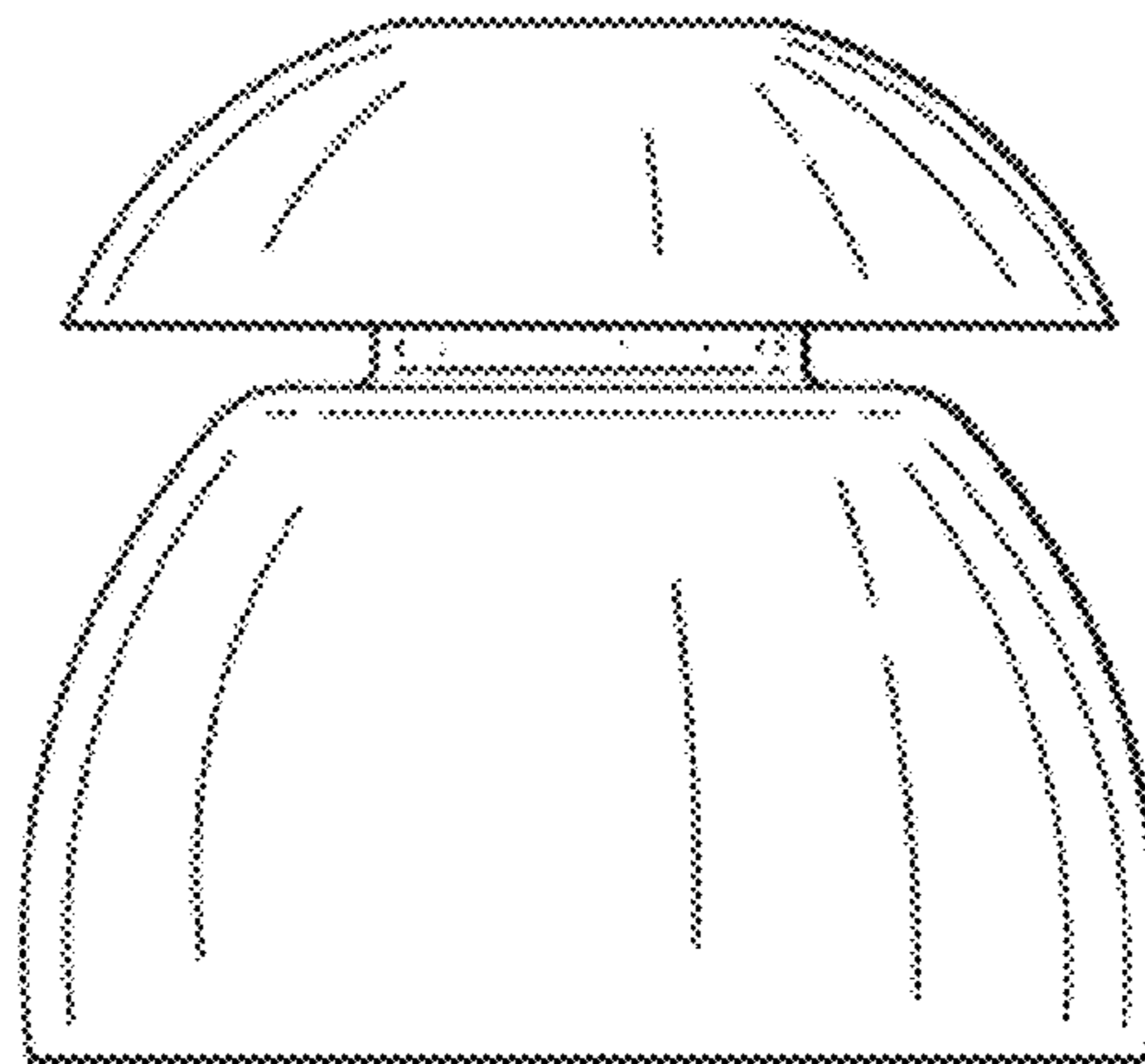


FIG. 5

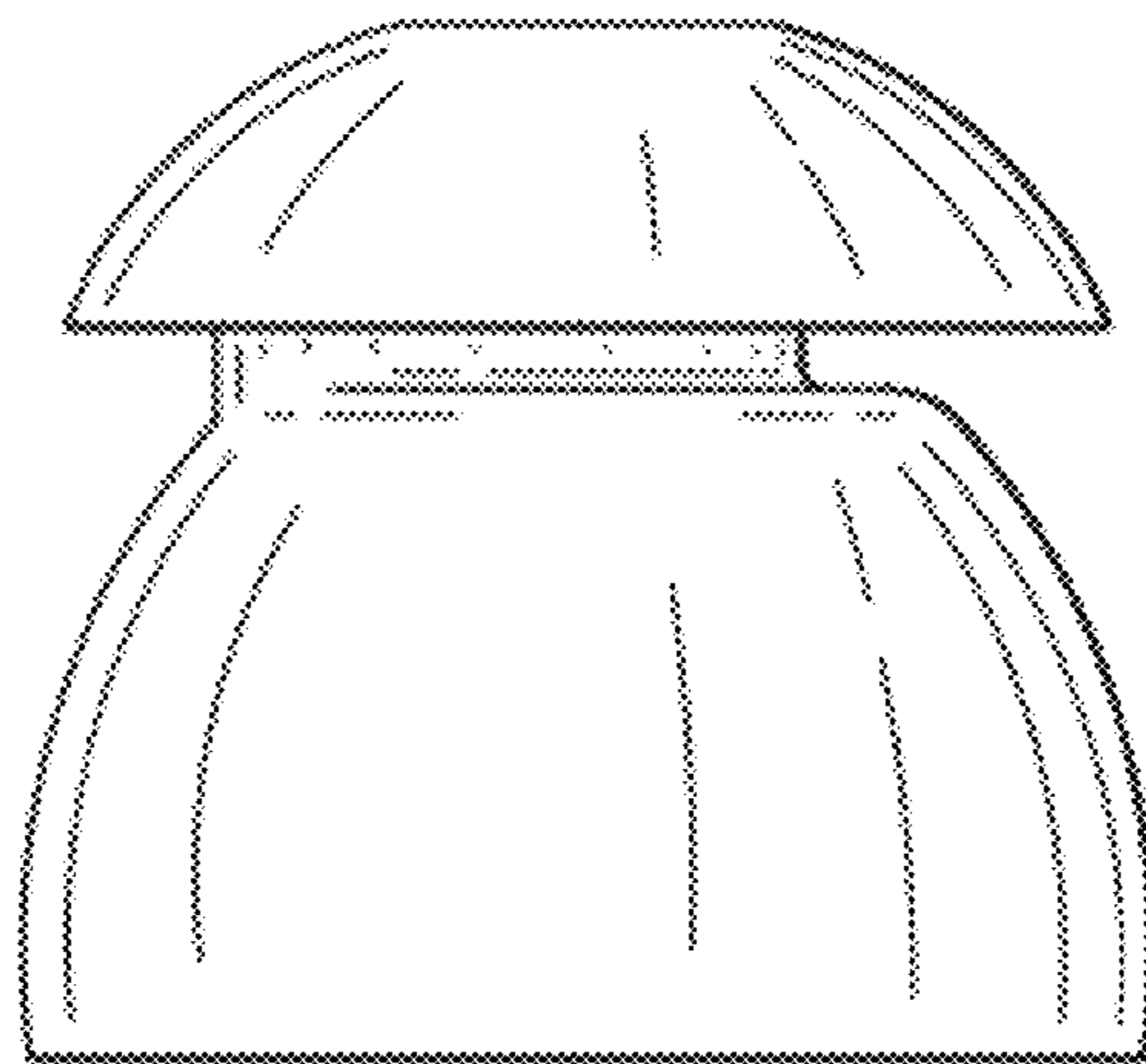


FIG. 6

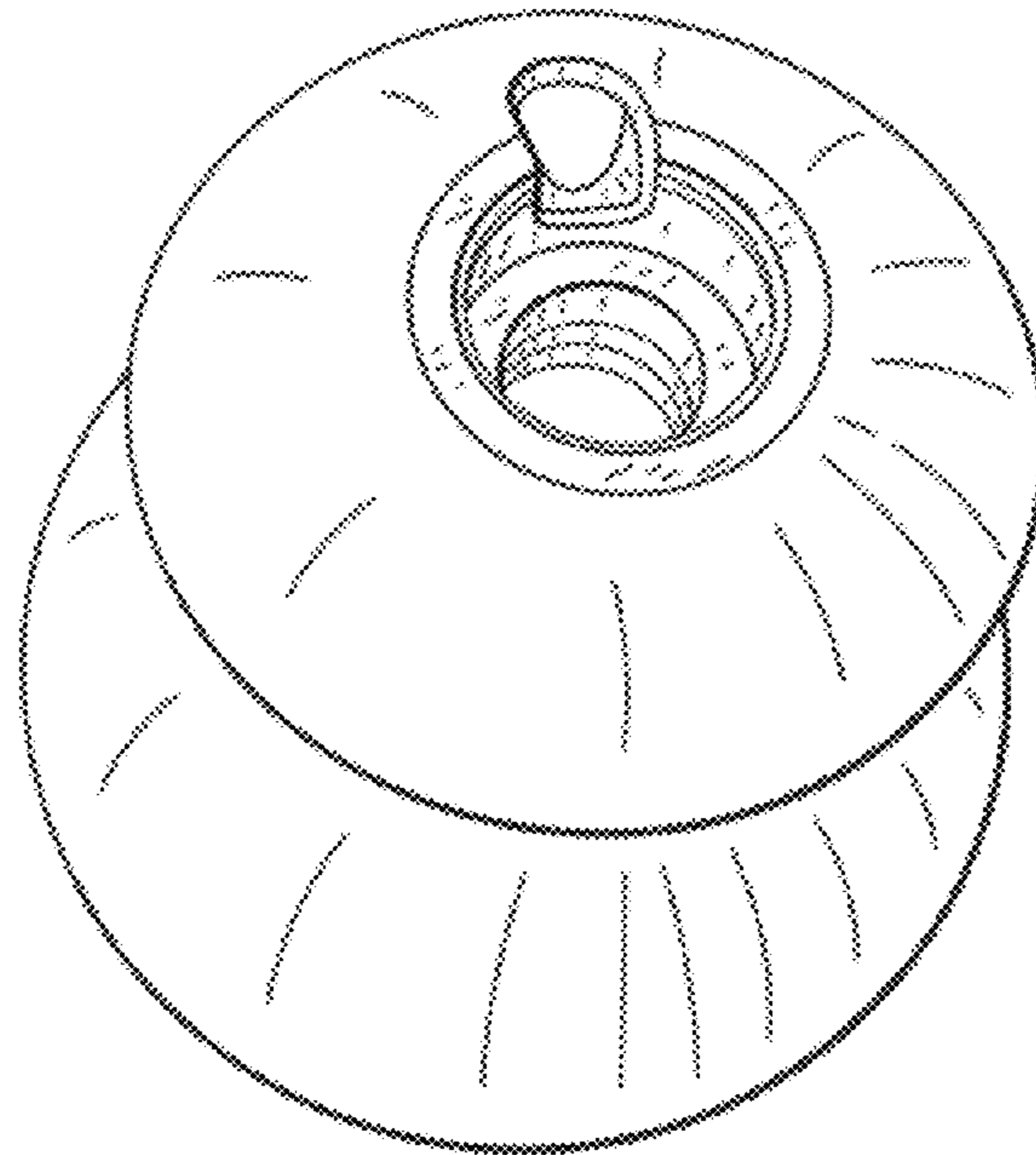
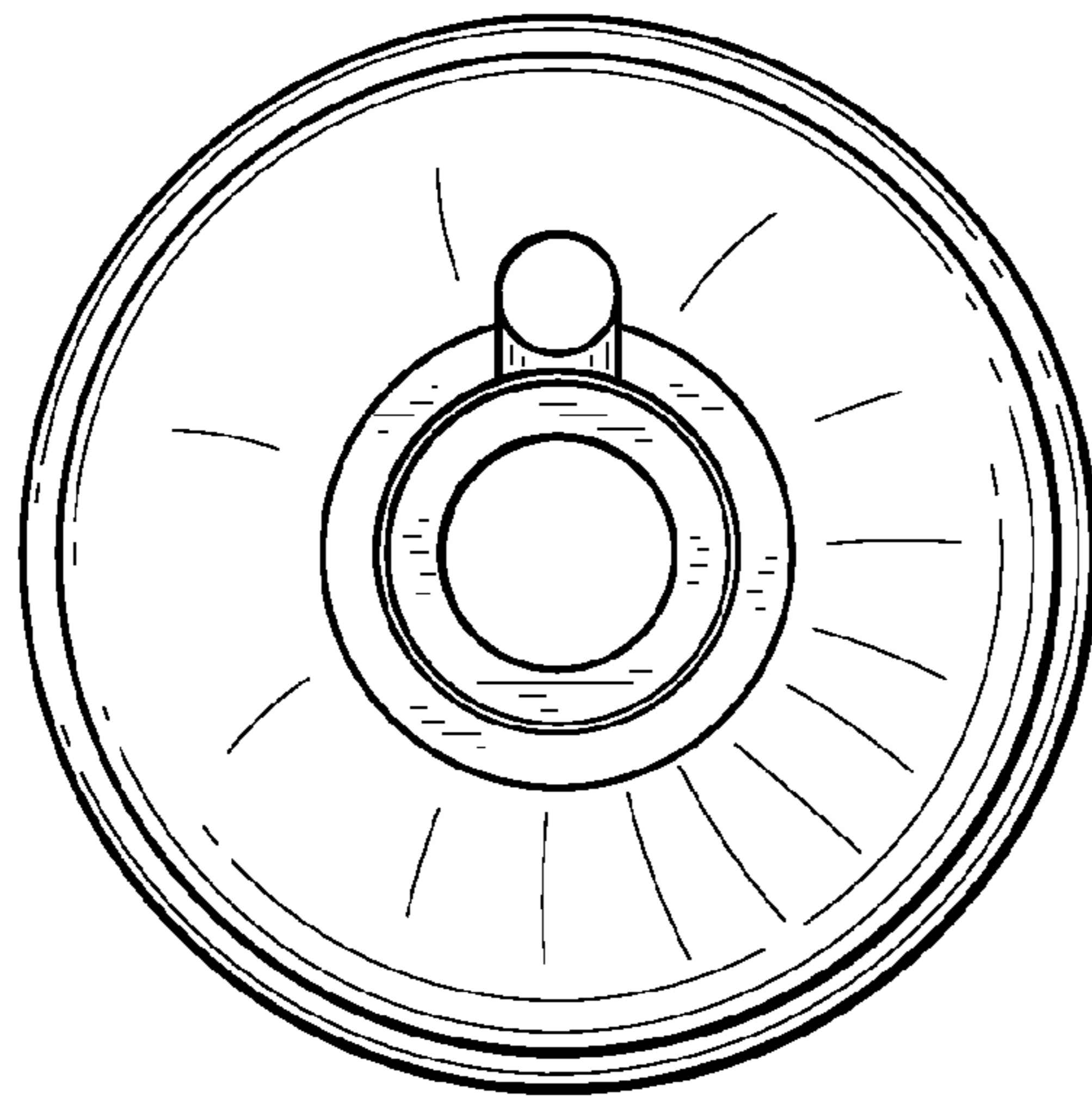


FIG. 7



UNITED STATES PATENT AND TRADEMARK OFFICE
CERTIFICATE OF CORRECTION

PATENT NO. : D678,528 S
APPLICATION NO. : 29/386156
DATED : March 19, 2013
INVENTOR(S) : Peter Nordland Jensen

Page 1 of 1

It is certified that error appears in the above-identified patent and that said Letters Patent is hereby corrected as shown below:

On the Title page, left column,

Delete “(75) Inventor: Peter Nordlan Jensen (DK)”

Insert --(75) Inventor: Peter Nordland Jensen (DK)--

Signed and Sealed this
Thirteenth Day of August, 2013



Teresa Stanek Rea
Acting Director of the United States Patent and Trademark Office