



US00D678527S

(12) **United States Design Patent**
Böninger

(10) **Patent No.:** **US D678,527 S**
(45) **Date of Patent:** **** Mar. 19, 2013**

(54) **MAGNETIC RESONANCE TOMOGRAPHY APPARATUS**

7,378,660 B2 * 5/2008 Case et al. 378/4
D591,862 S * 5/2009 Taniguchi et al. D24/158
D628,294 S * 11/2010 Baba D24/158
D639,953 S * 6/2011 Wodecki D24/159

(75) Inventor: **Christoph Böninger**, Munich (DE)

* cited by examiner

(73) Assignee: **Siemens Aktiengesellschaft**, Munich (DE)

Primary Examiner — Anhdao Doan

(**) Term: **14 Years**

(74) *Attorney, Agent, or Firm* — Schiff Hardin LLP

(21) Appl. No.: **29/391,697**

(57) **CLAIM**

(22) Filed: **May 12, 2011**

The ornamental design for a magnetic resonance tomography apparatus, as shown and described.

(30) **Foreign Application Priority Data**

DESCRIPTION

Nov. 12, 2010 (EM) 001244453

(51) **LOC (9) Cl.** **24-01**

(52) **U.S. Cl.** **D24/158**

(58) **Field of Classification Search** D24/158-161,
D24/185, 186; 378/4, 15, 17, 20, 21, 23-27,
378/62, 68, 146, 195-198

See application file for complete search history.

FIG. 1 is a front view of a magnetic resonance tomography apparatus showing my new design;
FIG. 2 is a back view of the magnetic resonance tomography apparatus shown in FIG. 1;
FIG. 3 is a top view of the magnetic resonance tomography apparatus shown in FIG. 1;
FIG. 4 is a bottom view of the magnetic resonance tomography apparatus shown in FIG. 1;
FIG. 5 is a right side view of the magnetic resonance tomography apparatus shown in FIG. 1;
FIG. 6 is a left side view of the magnetic resonance tomography apparatus shown in FIG. 1; and,
FIG. 7 is a perspective view of the magnetic resonance tomography apparatus shown in FIG. 1.
Portions of the magnetic resonance tomography apparatus shown in broken lines form no part of the claimed design.

(56) **References Cited**

U.S. PATENT DOCUMENTS

4,093,860 A * 6/1978 Kelman et al. 378/17
D318,726 S * 7/1991 Takekoshi et al. D24/159
D345,606 S * 3/1994 Perusek D24/159
6,917,666 B2 * 7/2005 Wollenweber 378/20
D527,105 S * 8/2006 Kitayama et al. D24/158
7,295,648 B2 * 11/2007 Brown 378/65
D557,418 S * 12/2007 Onuma et al. D24/158
D563,556 S * 3/2008 Baba D24/158

1 Claim, 7 Drawing Sheets

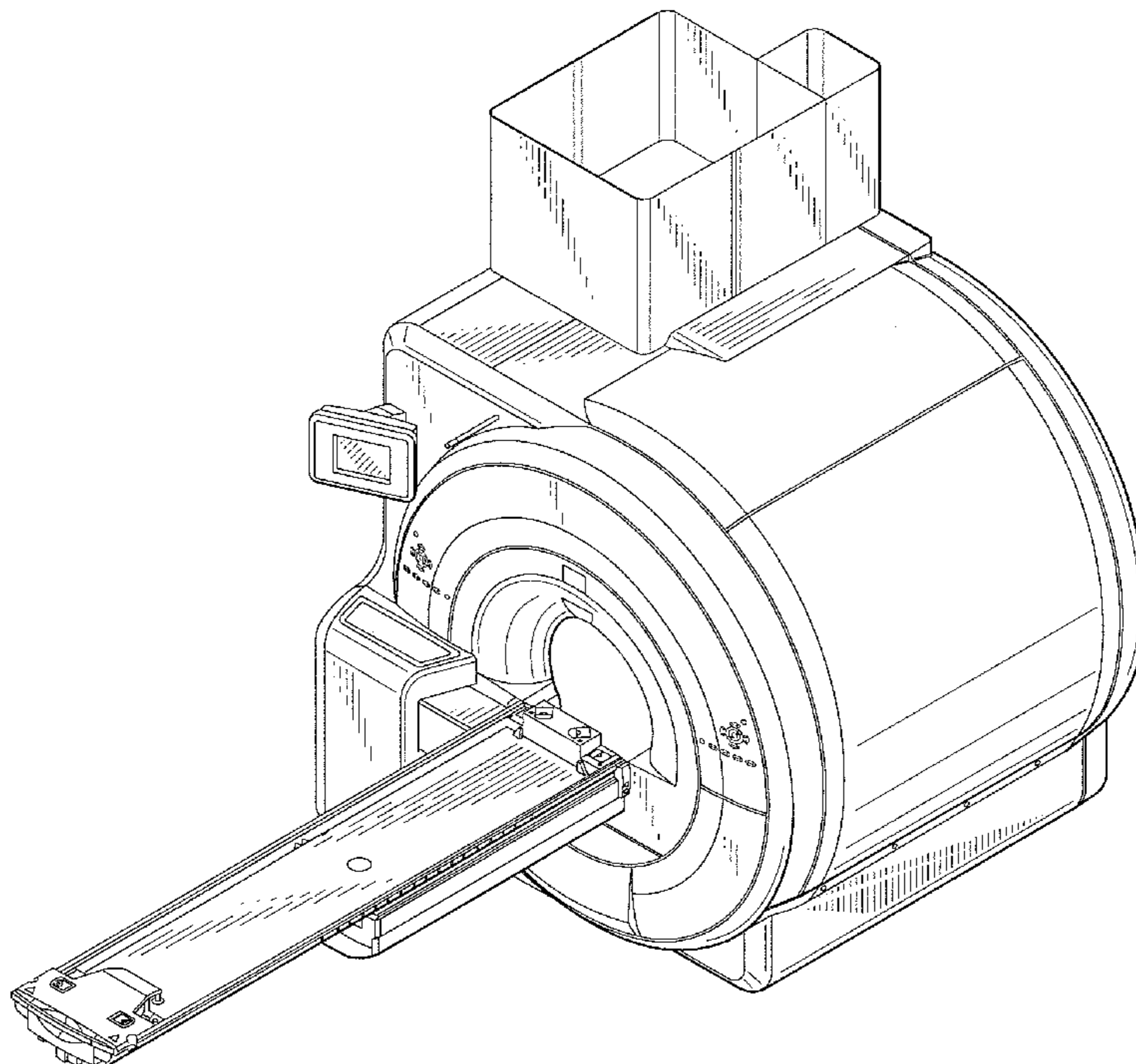


FIG. 1

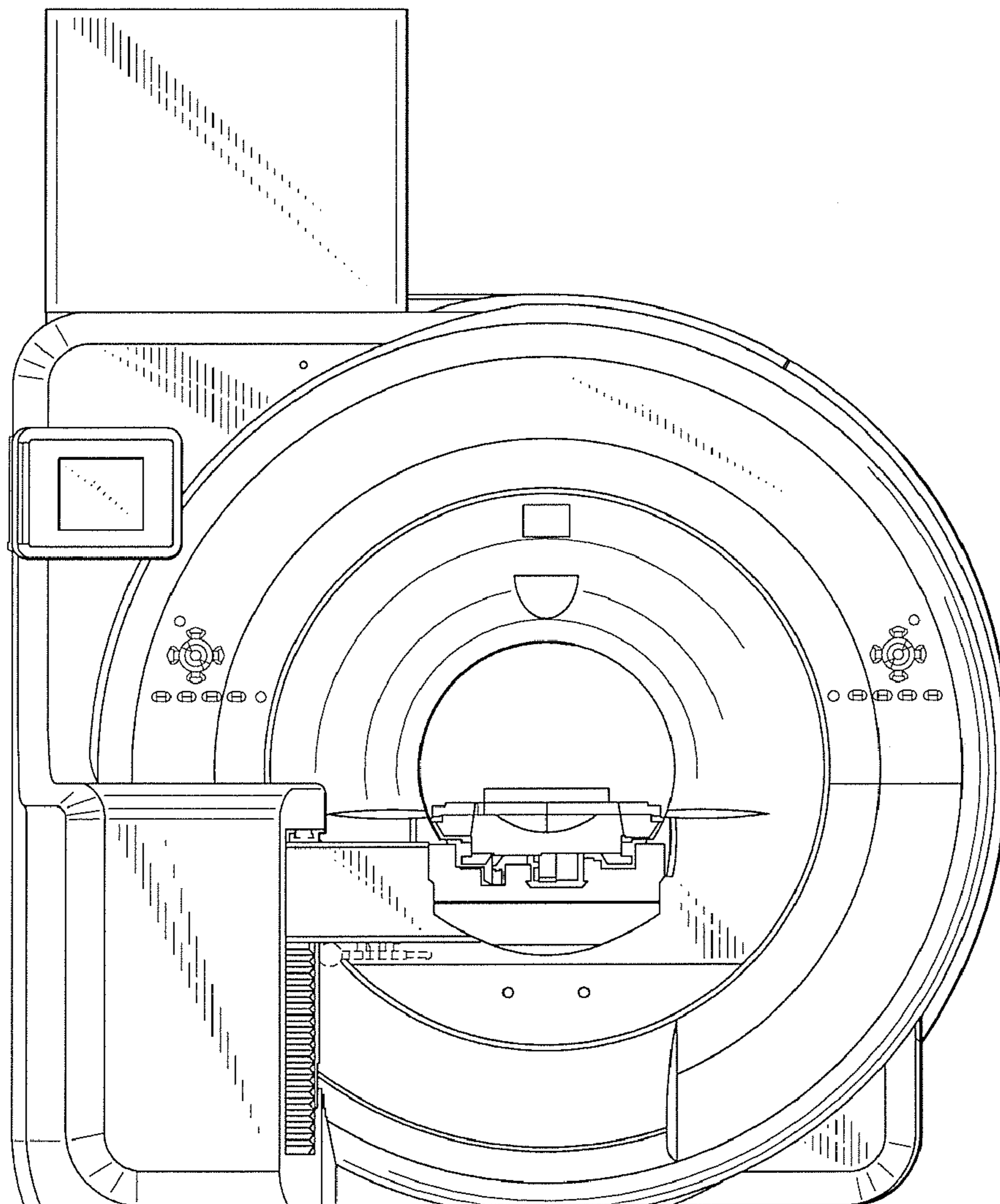
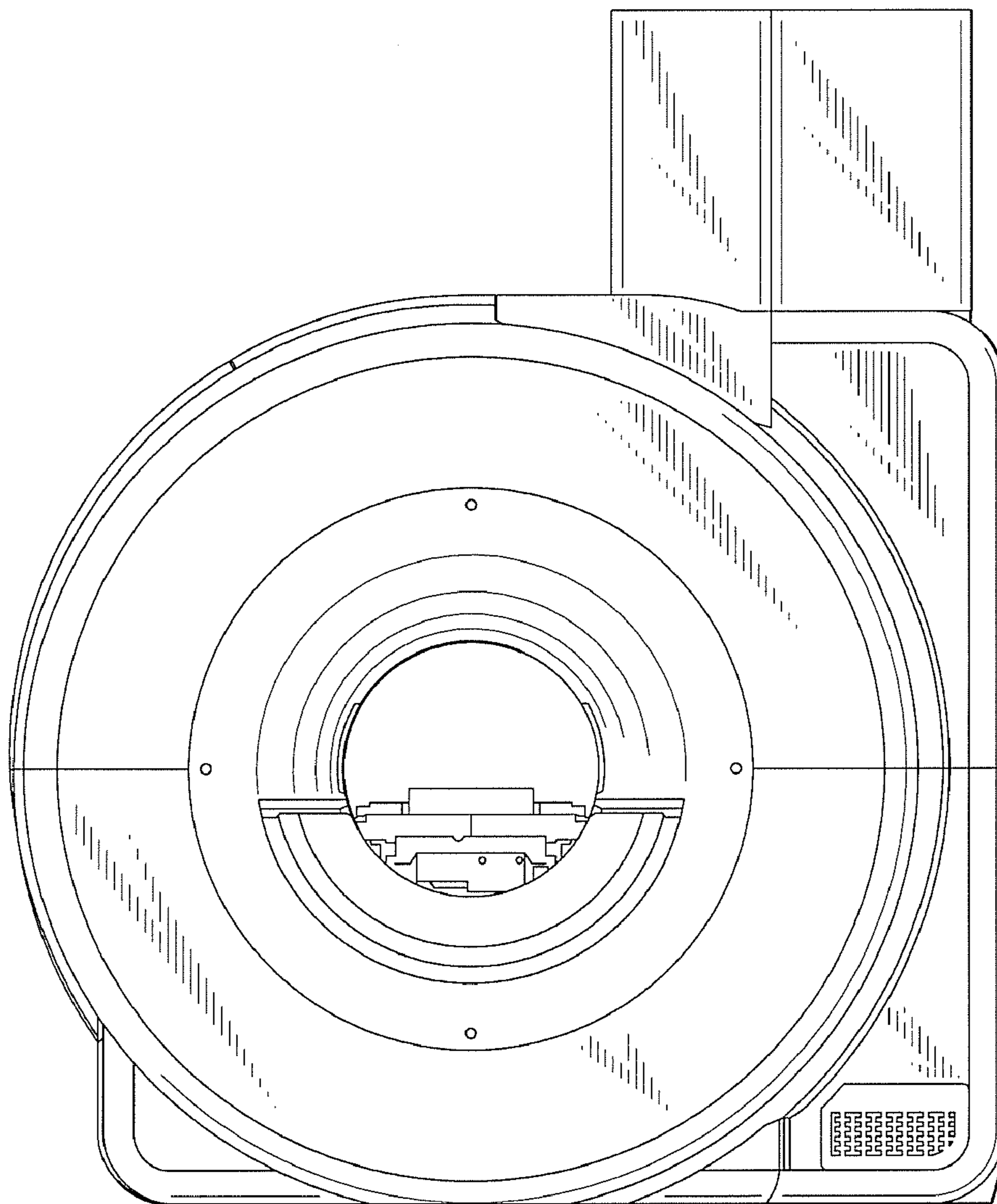


FIG. 2



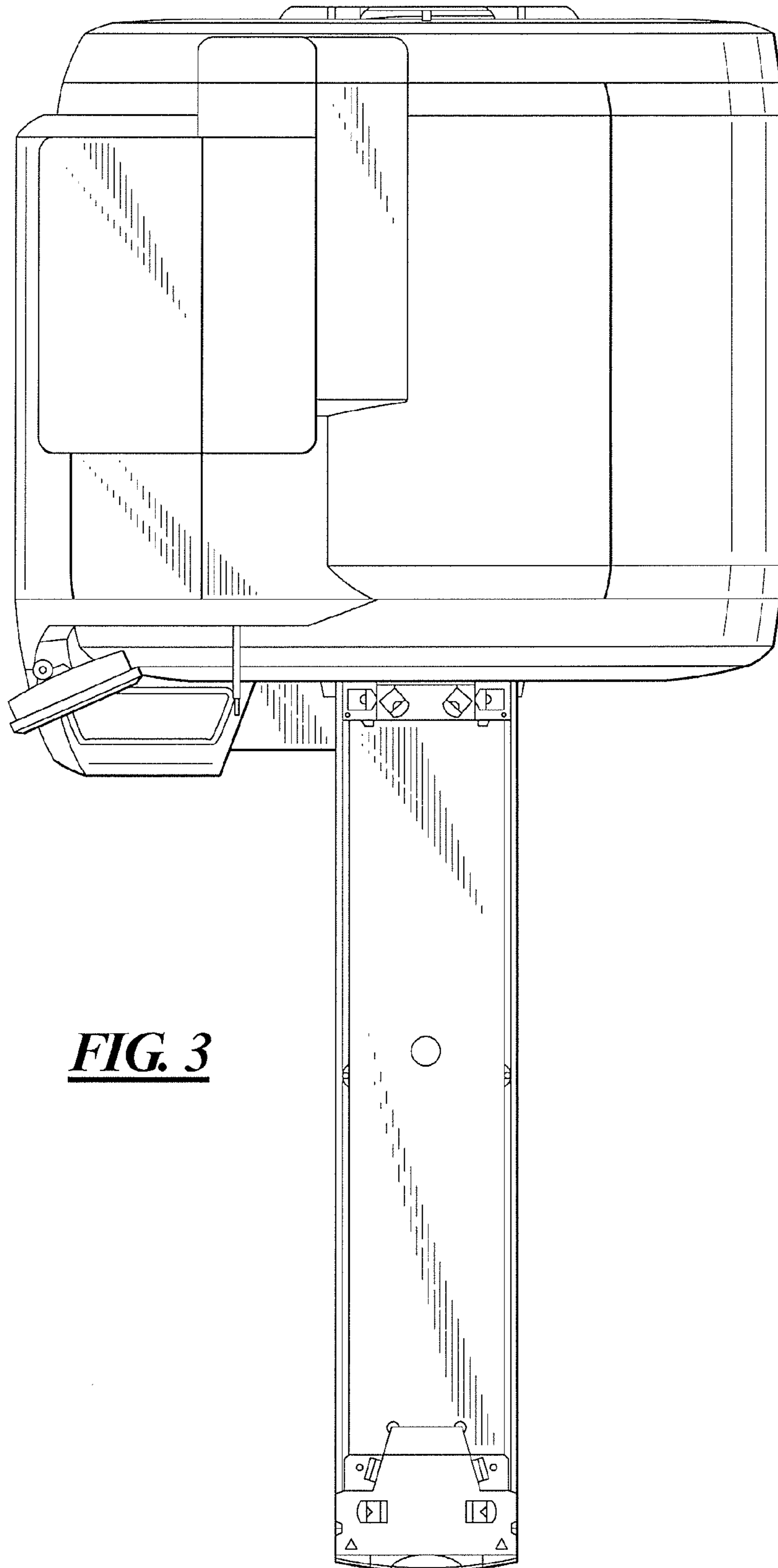
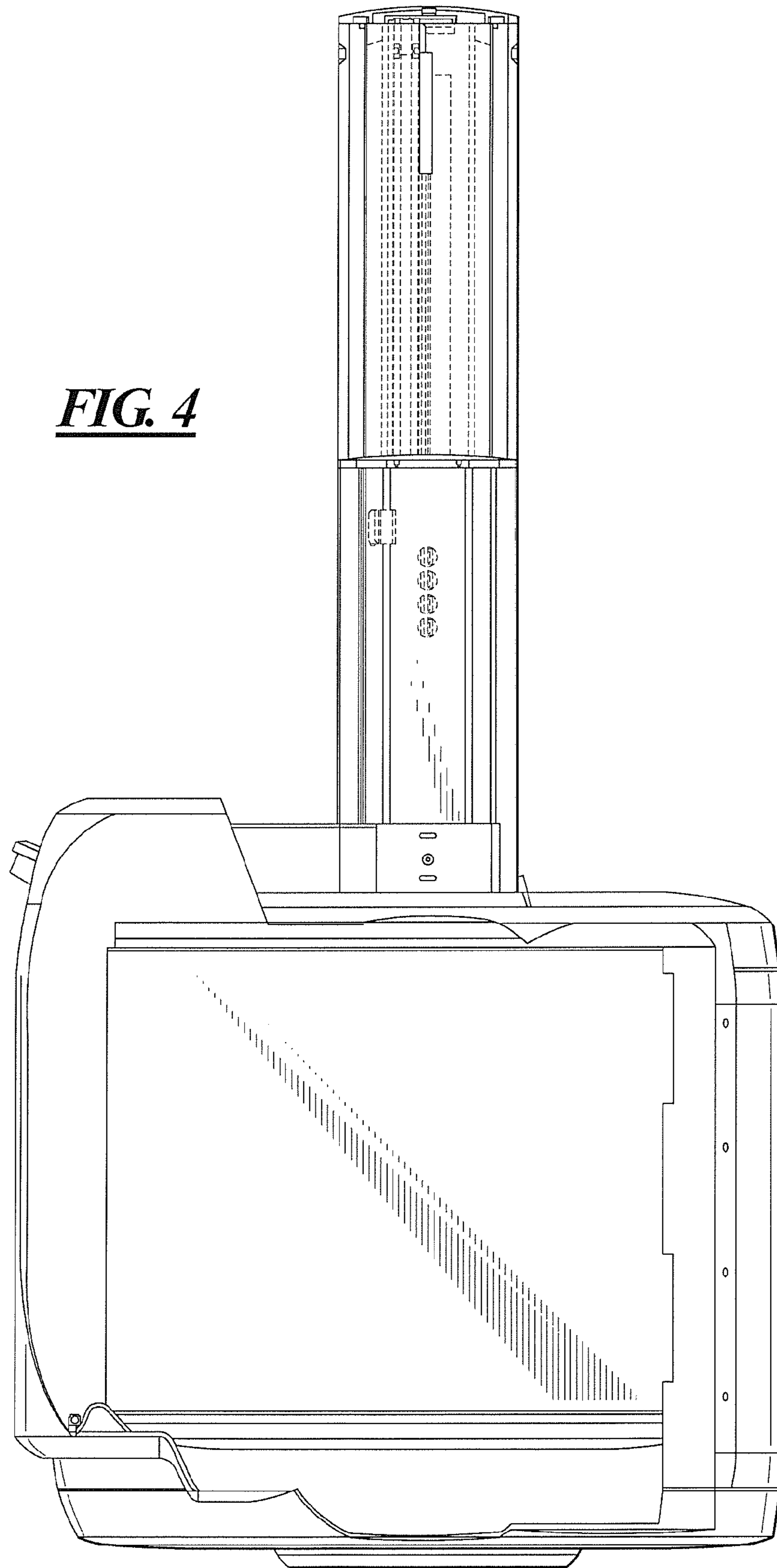


FIG. 3

FIG. 4



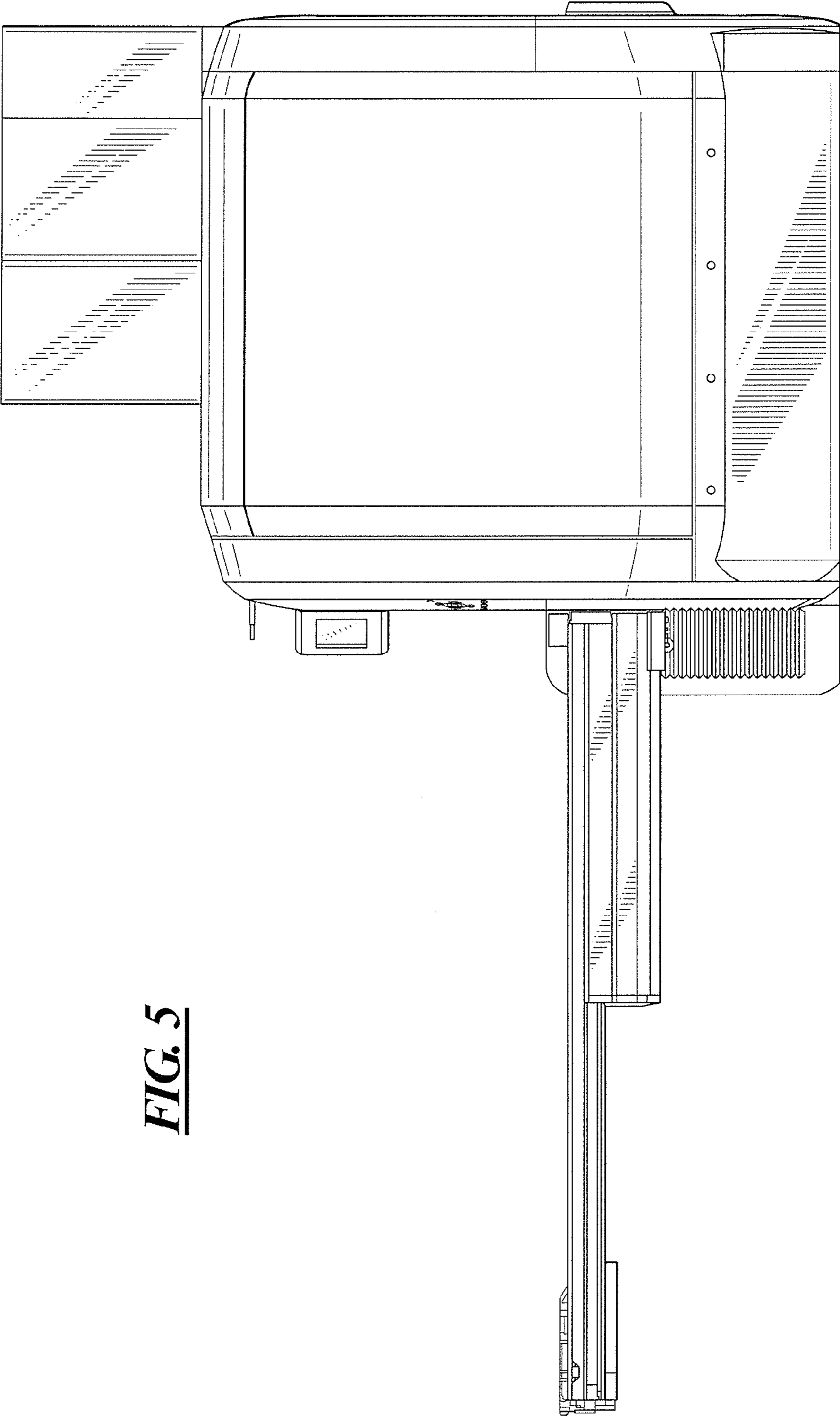
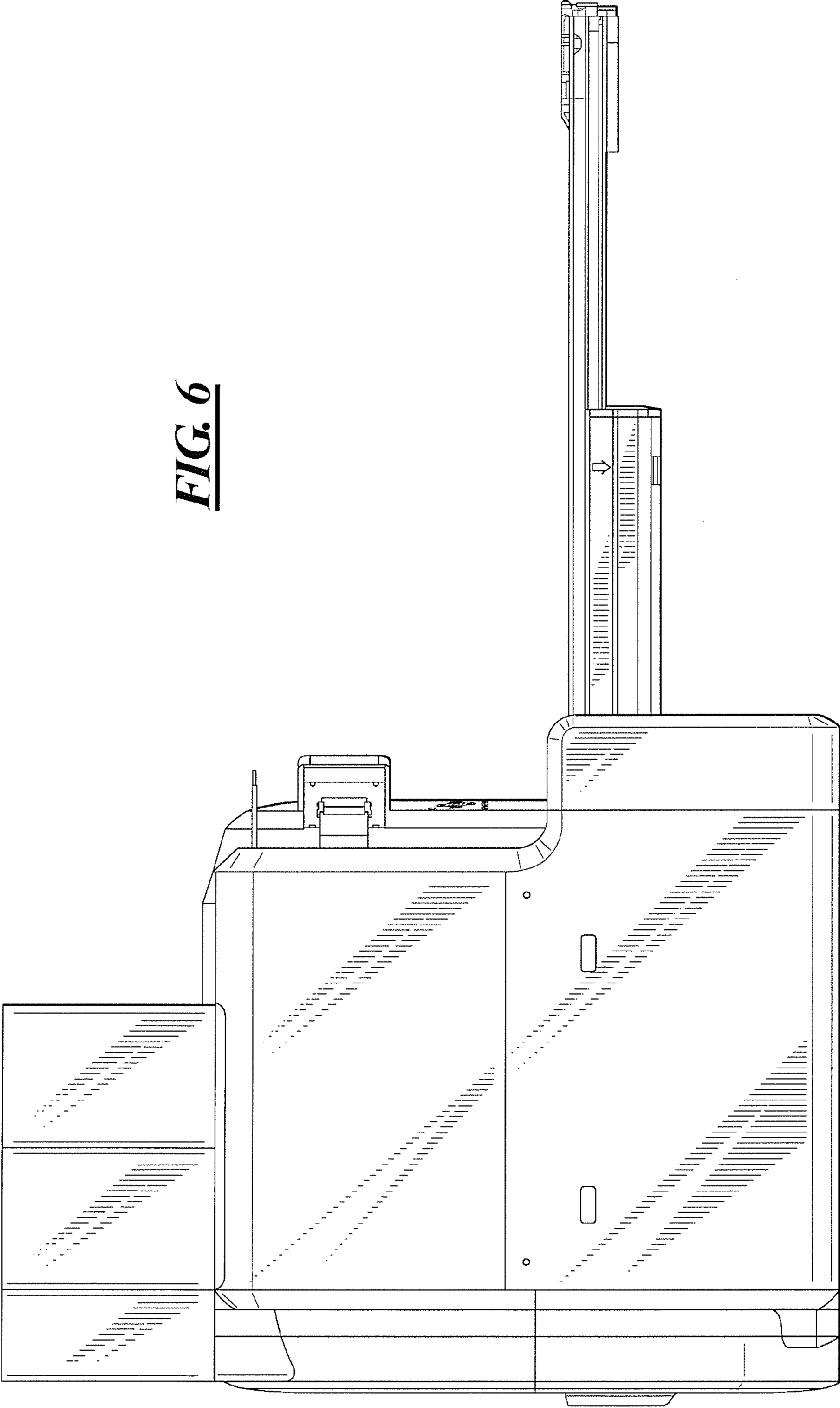


FIG. 5

FIG. 6



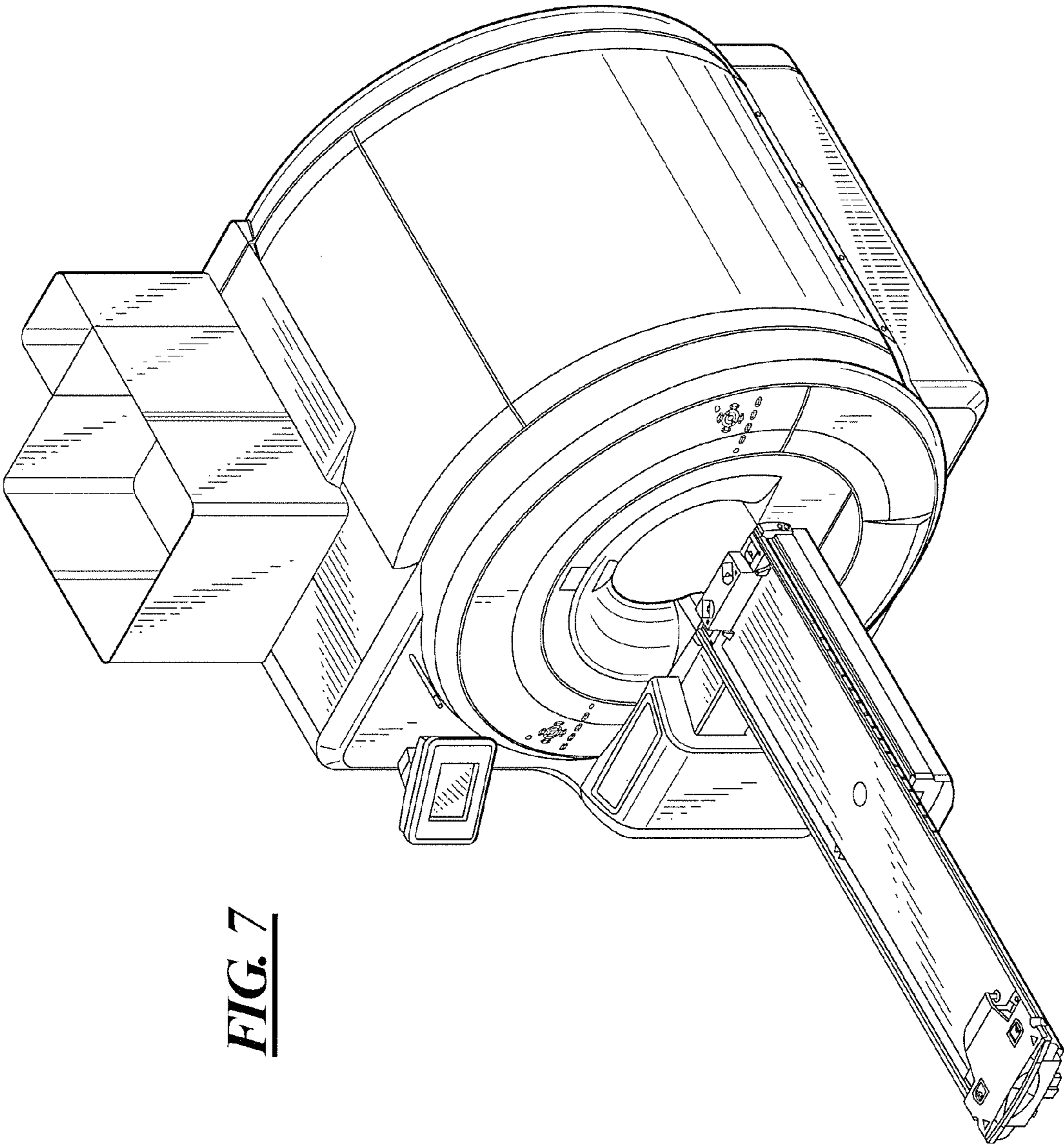


FIG. 7