



US00D678524S

(12) **United States Design Patent**  
**Mottet**

(10) **Patent No.:** **US D678,524 S**  
(45) **Date of Patent:** **\*\* Mar. 19, 2013**

(54) **ENDOSCOPE**

(75) Inventor: **Alain Mottet**, Grune (BE)

(73) Assignee: **Hubitools S.A.**, Wavre (BE)

(\*\*) Term: **14 Years**

(21) Appl. No.: **29/423,531**

(22) Filed: **Jun. 1, 2012**

(30) **Foreign Application Priority Data**

Dec. 14, 2011 (EM) ..... 1962275-0001

(51) **LOC (9) Cl.** ..... **24-02**

(52) **U.S. Cl.** ..... **D24/138**

(58) **Field of Classification Search** ..... D24/138,  
D24/137, 186; 600/101-183

See application file for complete search history.

(56) **References Cited**

**U.S. PATENT DOCUMENTS**

D545,438 S *	6/2007	Huang et al. ....	D24/186
D577,823 S *	9/2008	Hensler et al. ....	D24/138
D586,463 S *	2/2009	Evans et al. ....	D24/111
D590,509 S *	4/2009	Costa ..... ..	D24/186
D608,452 S *	1/2010	Huang ..... ..	D24/186
D613,863 S *	4/2010	Chen ..... ..	D24/138
D627,883 S *	11/2010	Hayashi ..... ..	D24/138
D638,543 S *	5/2011	Geisser et al. ....	D24/138

D643,126 S *	8/2011	Barker et al. ....	D24/186
2004/0133075 A1 *	7/2004	Motoki et al. ....	600/131
2004/0225185 A1 *	11/2004	Obata et al. ....	600/118
2007/0276183 A1 *	11/2007	Melder ..... ..	600/112
2008/0009677 A1 *	1/2008	Shoroji et al. ....	600/160

\* cited by examiner

*Primary Examiner* — Bridget L Eland

(74) *Attorney, Agent, or Firm* — Fross Zelnick Lehrman & Zissu, P.C.; Charles T. J. Weigell, Esq.

(57) **CLAIM**

The ornamental design for an endoscope, as shown and described.

**DESCRIPTION**

FIG. 1 is a front view of the endoscope showing my new design;

FIG. 2 is a rear view of the endoscope shown in FIG. 1;

FIG. 3 is a left side view of the endoscope shown in FIG. 1;

FIG. 4 is a right side view of the endoscope shown in FIG. 1;

FIG. 5 is a bottom view of the endoscope shown in FIG. 1; and,

FIG. 6 is a top view of the endoscope shown in FIG. 1.

The broken lines immediately adjacent the claimed areas represent the bounds of the claimed design while all other broken lines are directed to environment and are for illustrative purposes only; the broken lines form no part of the claimed design.

**1 Claim, 6 Drawing Sheets**

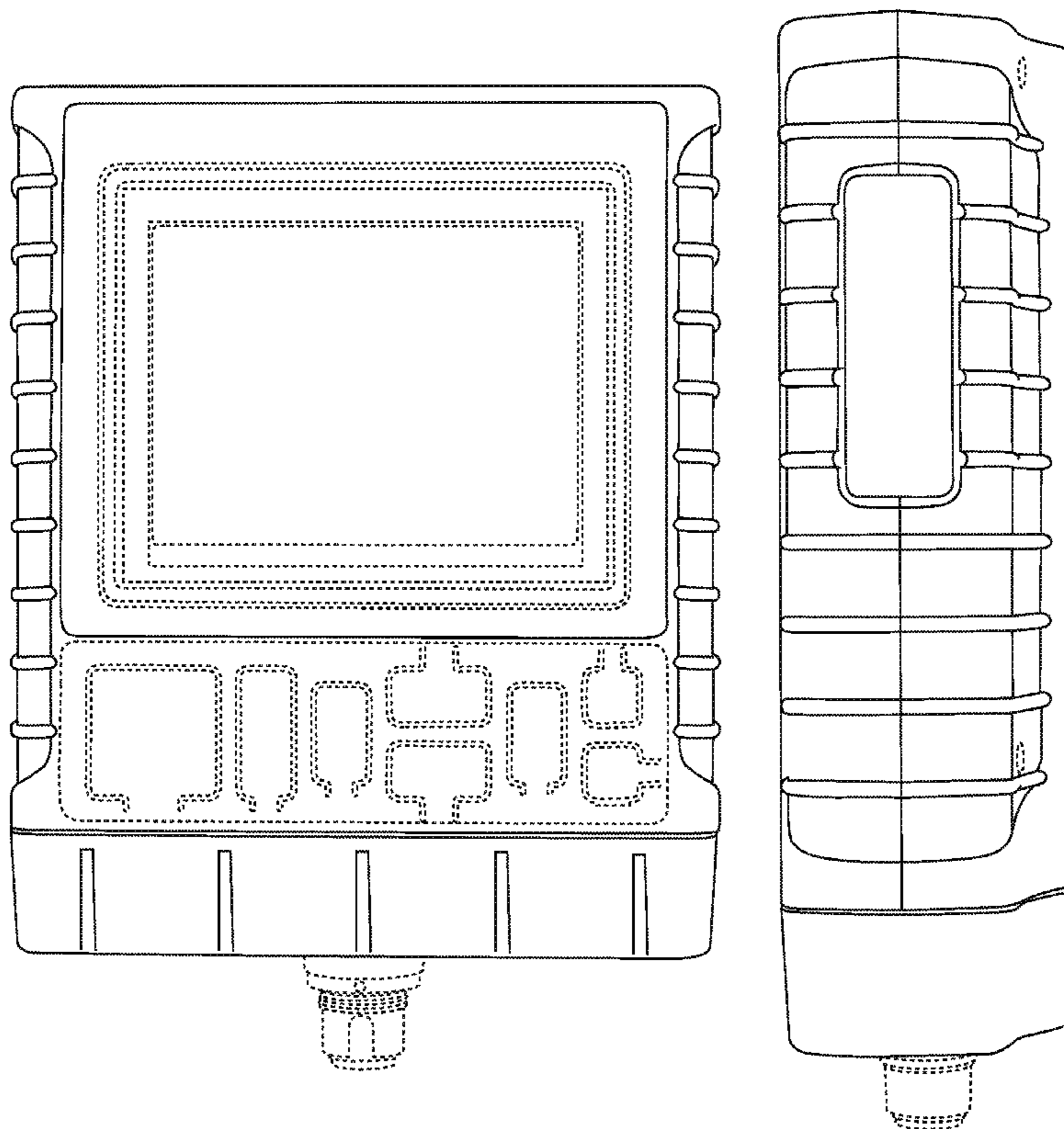


FIG. 1

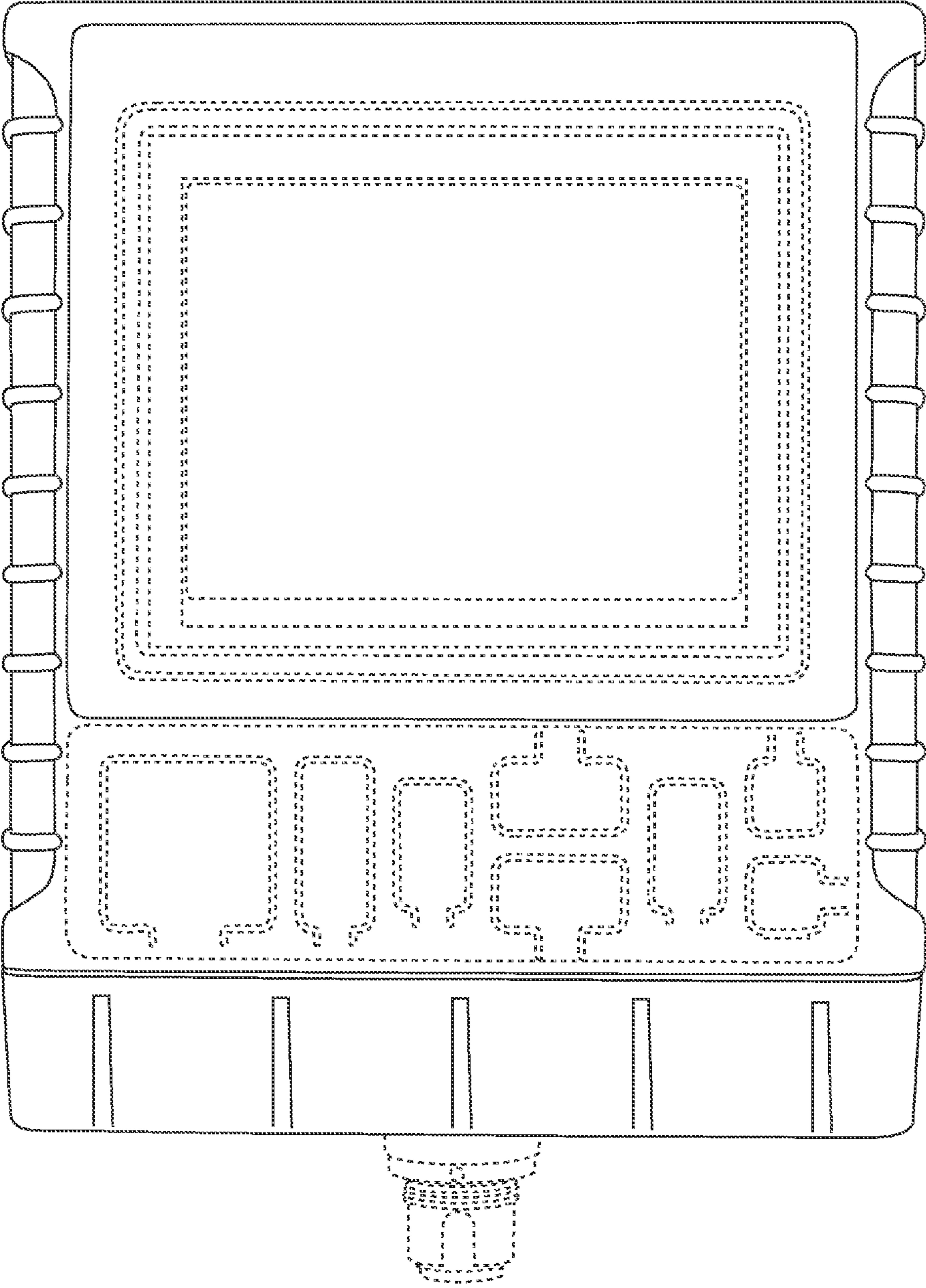


FIG. 2

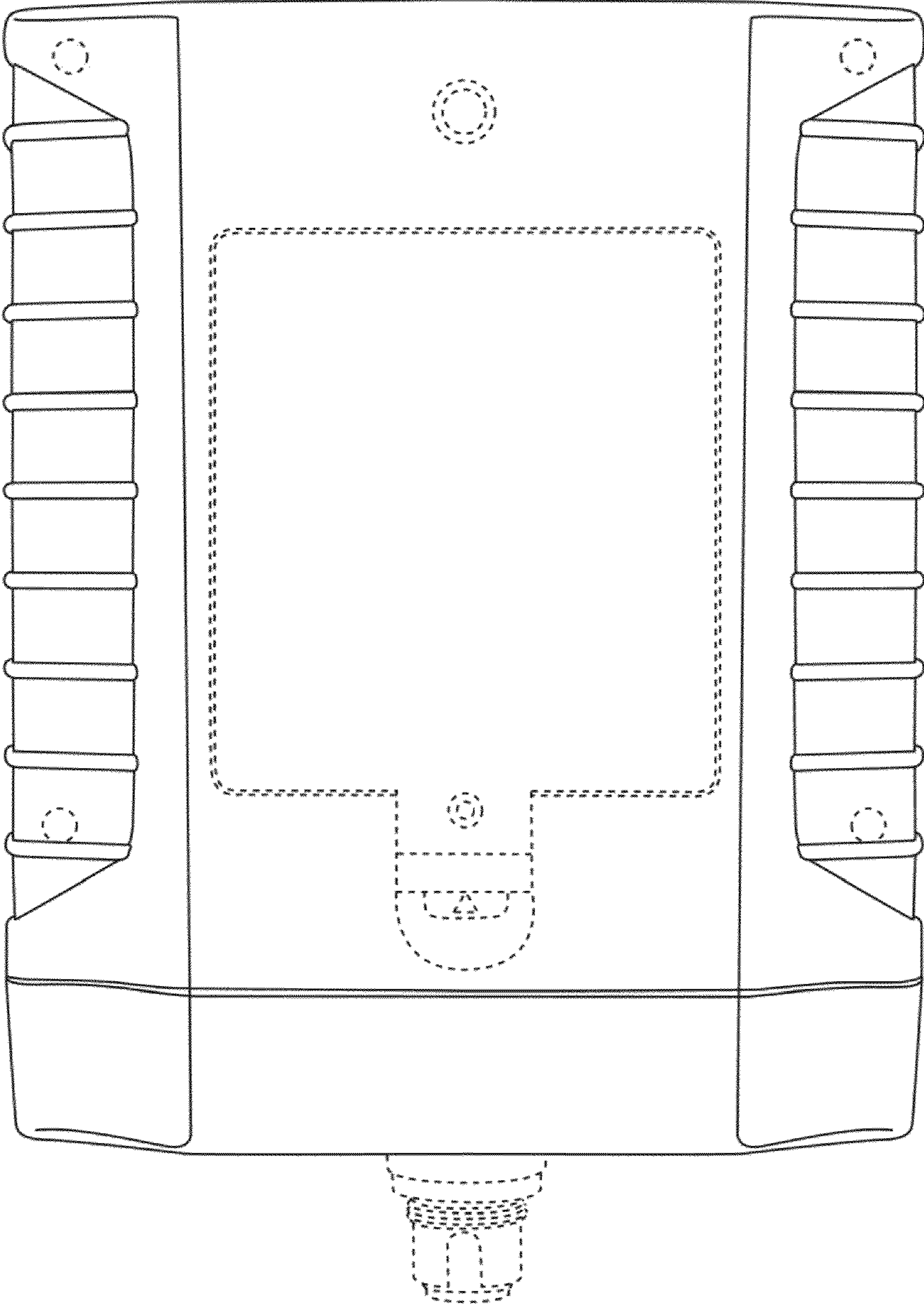


FIG. 3

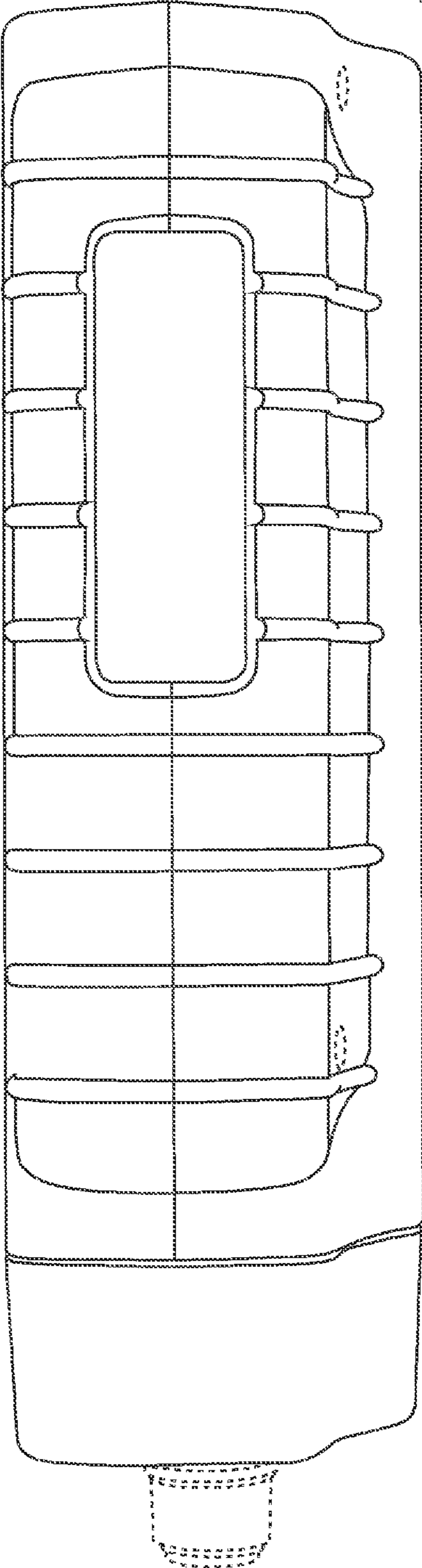




FIG. 4

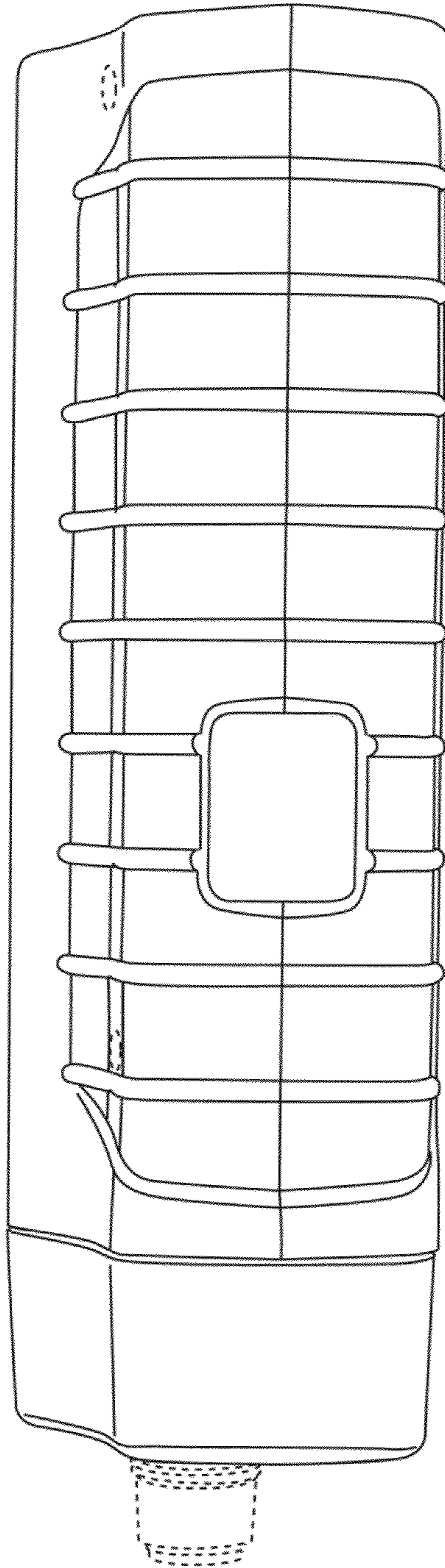


FIG. 5

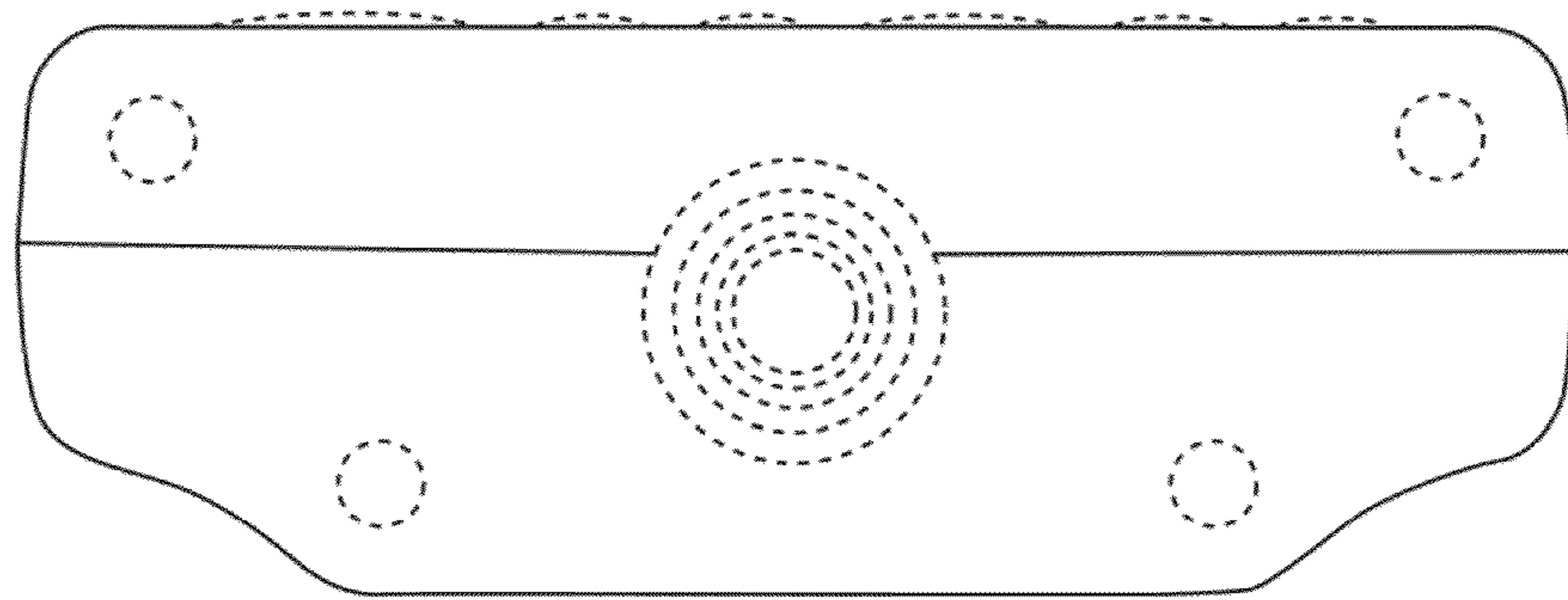


FIG. 6

