



US00D678522S

(12) **United States Design Patent**  
**Gustavsson**

(10) **Patent No.:** **US D678,522 S**  
(45) **Date of Patent:** **\*\* Mar. 19, 2013**

(54) **INSERTION AID FOR CATHETER**  
(75) Inventor: **Evelina Gustavsson, Öjersjö (SE)**  
(73) Assignee: **Astra Tech AB, Molndal (SE)**  
(\*\*) Term: **14 Years**  
(21) Appl. No.: **29/394,150**  
(22) Filed: **Jun. 14, 2011**

(30) **Foreign Application Priority Data**

Dec. 15, 2010 (EM) ..... 1001250054-0001  
(51) **LOC (9) Cl.** ..... **24-02**  
(52) **U.S. Cl.** ..... **D24/130**  
(58) **Field of Classification Search** ..... D24/112-114,  
D24/127-131, 133, 186, 146, 147; 606/162,  
606/180, 181, 185; 604/264, 272, 115, 1,  
604/2, 19, 3, 309, 73, 540, 232, 187, 158,  
604/164.08, 192, 263, 163, 181, 184, 198,  
604/227; 600/572, 101, 139, 143; 128/200.24,  
128/207.14, 207.15, 207.29; 132/317; 401/196  
See application file for complete search history.

(56) **References Cited**

U.S. PATENT DOCUMENTS  
4,438,768 A \* 3/1984 Barrickman ..... 128/207.29  
D337,157 S \* 7/1993 Ortiz ..... D24/129  
D384,743 S \* 10/1997 Chia ..... D24/133

D432,230 S \* 10/2000 Utas ..... D24/112  
D445,895 S \* 7/2001 Svendsen ..... D24/112  
D468,015 S \* 12/2002 Horppu ..... D24/129  
RE39,923 E \* 11/2007 Blom ..... 128/207.14  
D580,069 S \* 11/2008 Lee ..... D24/114  
7,578,807 B2 \* 8/2009 Wyss et al. .... 604/263  
D631,542 S \* 1/2011 DeGross et al. .... D24/129  
D636,079 S \* 4/2011 Leybold et al. .... D24/129  
8,251,068 B2 \* 8/2012 Schnell ..... 128/207.29  
D671,209 S \* 11/2012 Row et al. .... D24/129

\* cited by examiner

*Primary Examiner* — David Muller

(74) *Attorney, Agent, or Firm* — Birch, Stewart, Kolasch & Birch, LLP

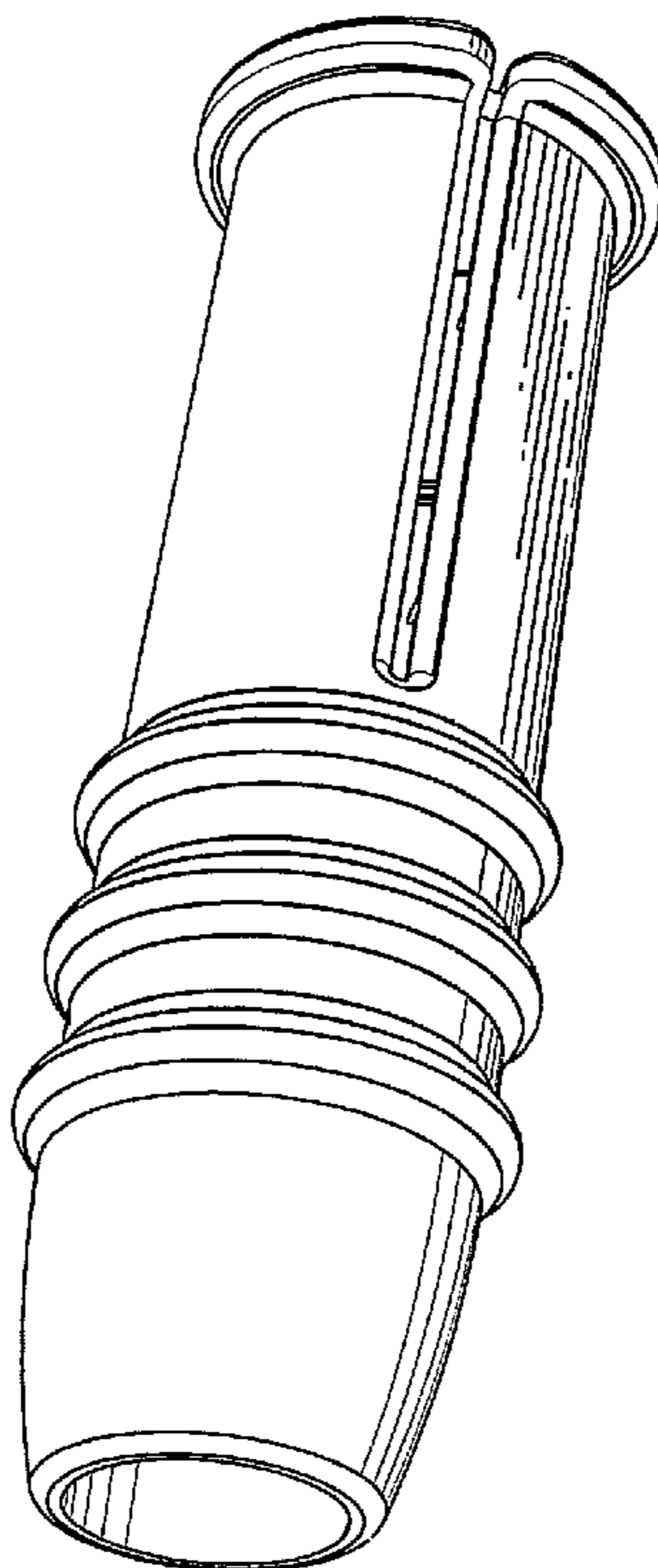
(57) **CLAIM**

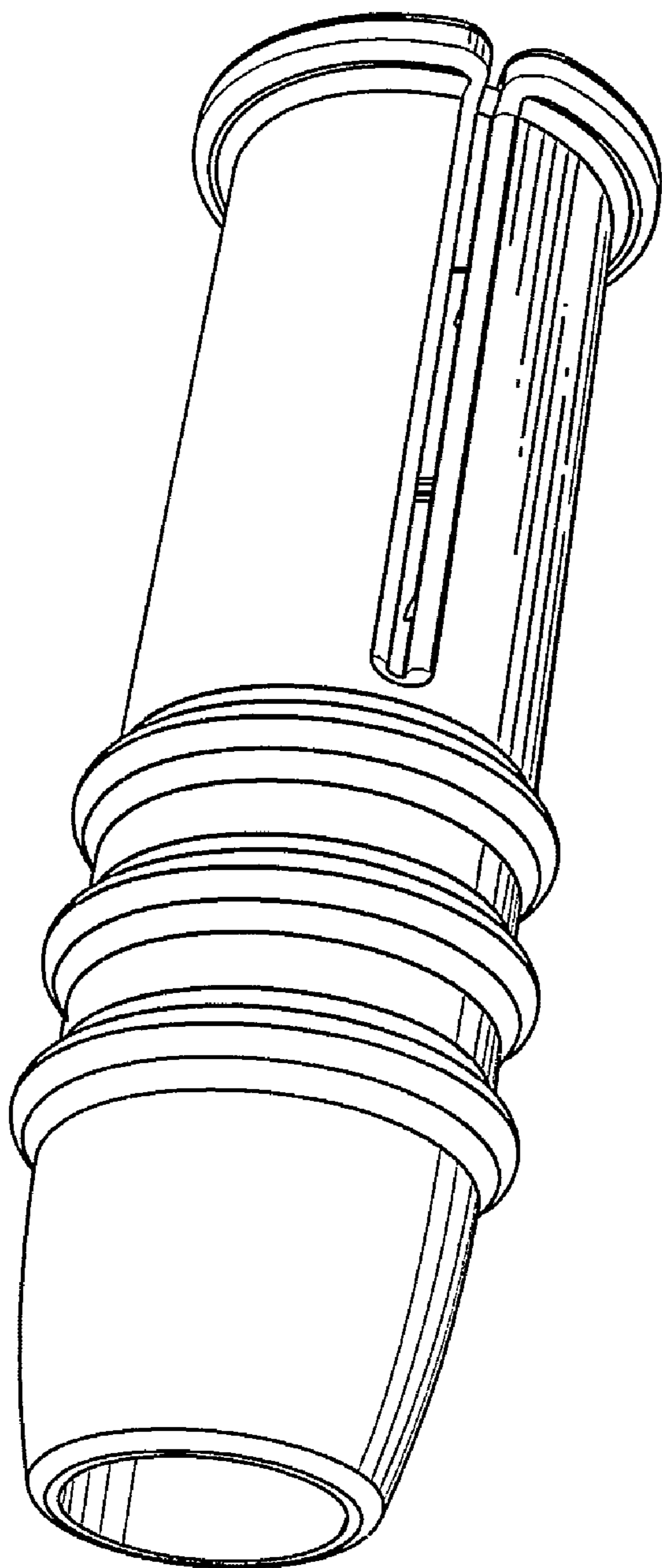
The ornamental design for an insertion aid for catheter, as shown and described.

**DESCRIPTION**

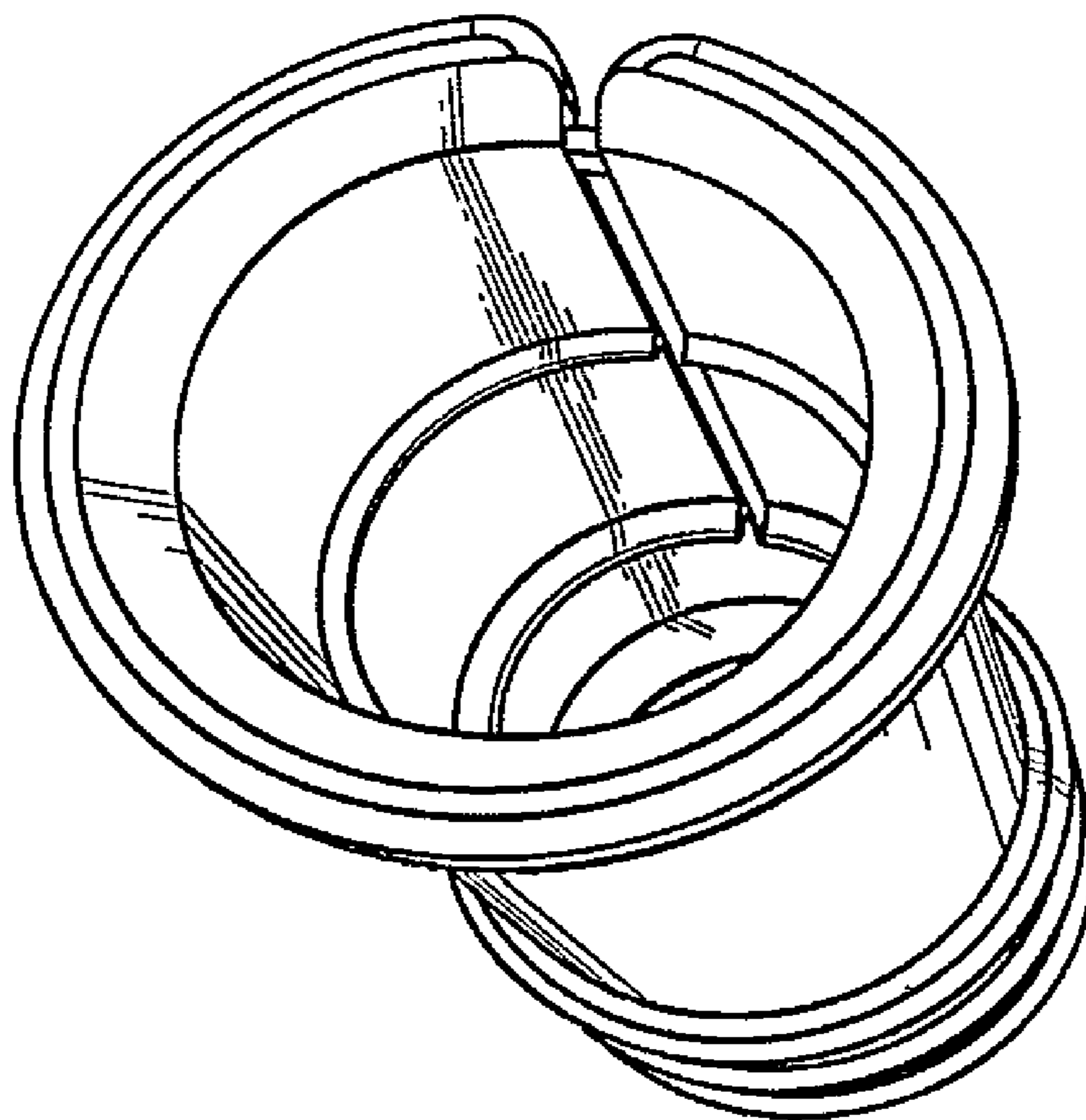
FIG. 1 is a perspective view of an insertion aid for catheter showing my new design;  
FIG. 2 is a perspective view thereof;  
FIG. 3 is front plan view thereof;  
FIG. 4 is a left side elevational view thereof; the right side elevational view is a mirror image of the left side elevational view;  
FIG. 5 is a rear elevational view thereof;  
FIG. 6 is a top plan view thereof; and,  
FIG. 7 is a bottom plan view thereof.

**1 Claim, 6 Drawing Sheets**

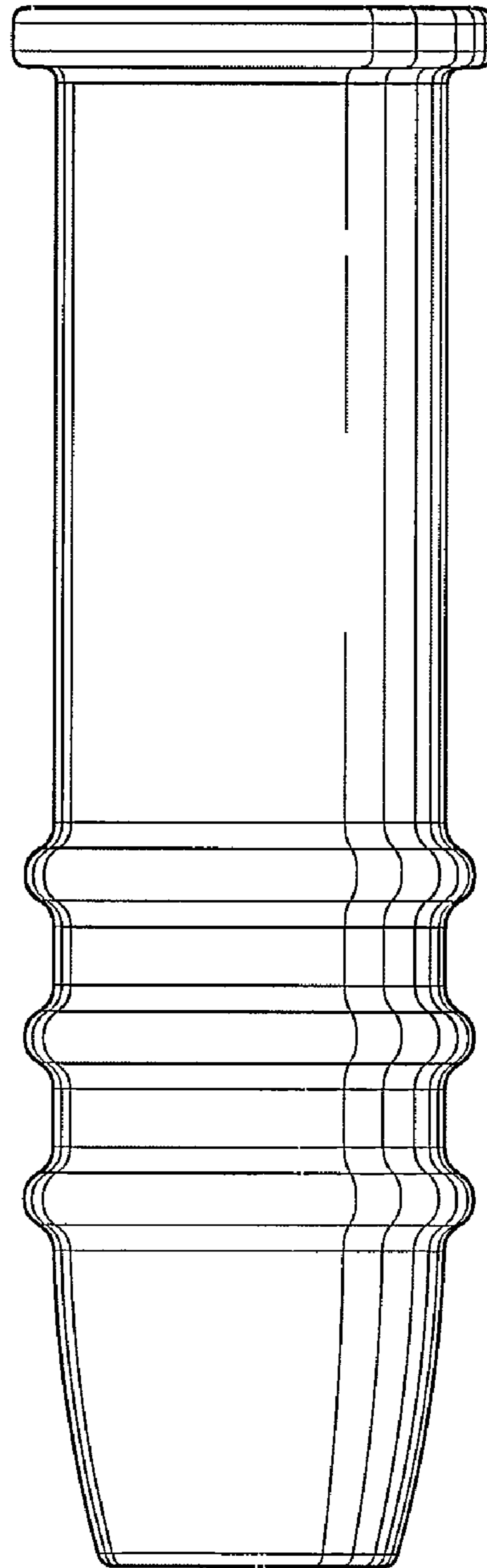




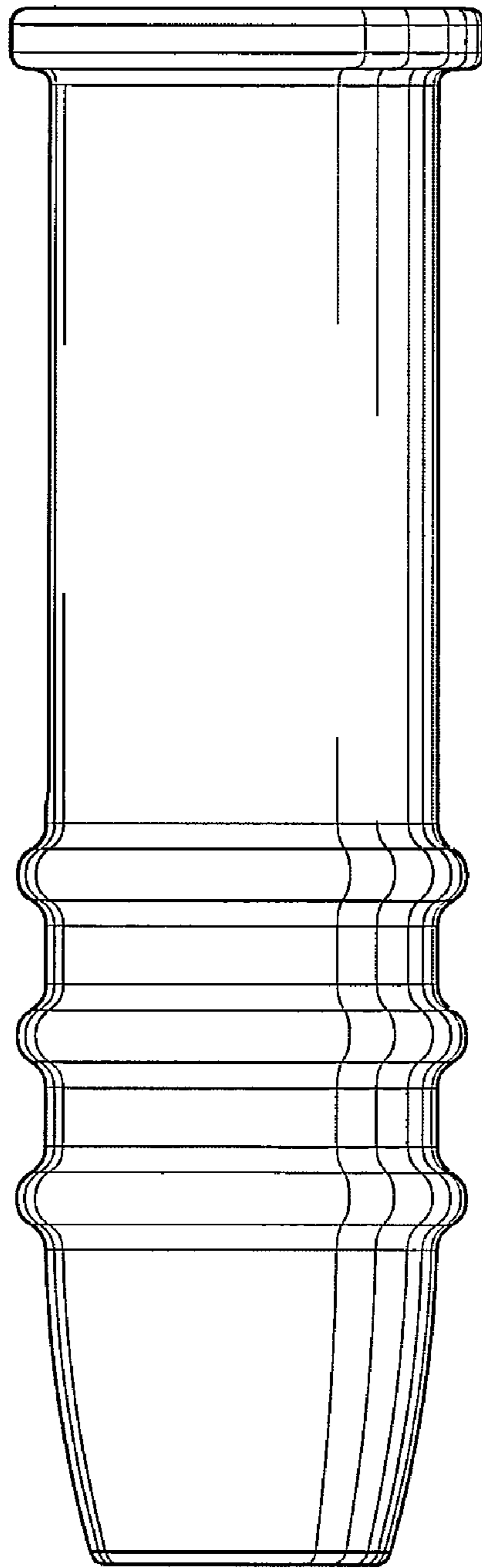
*Figure 1*



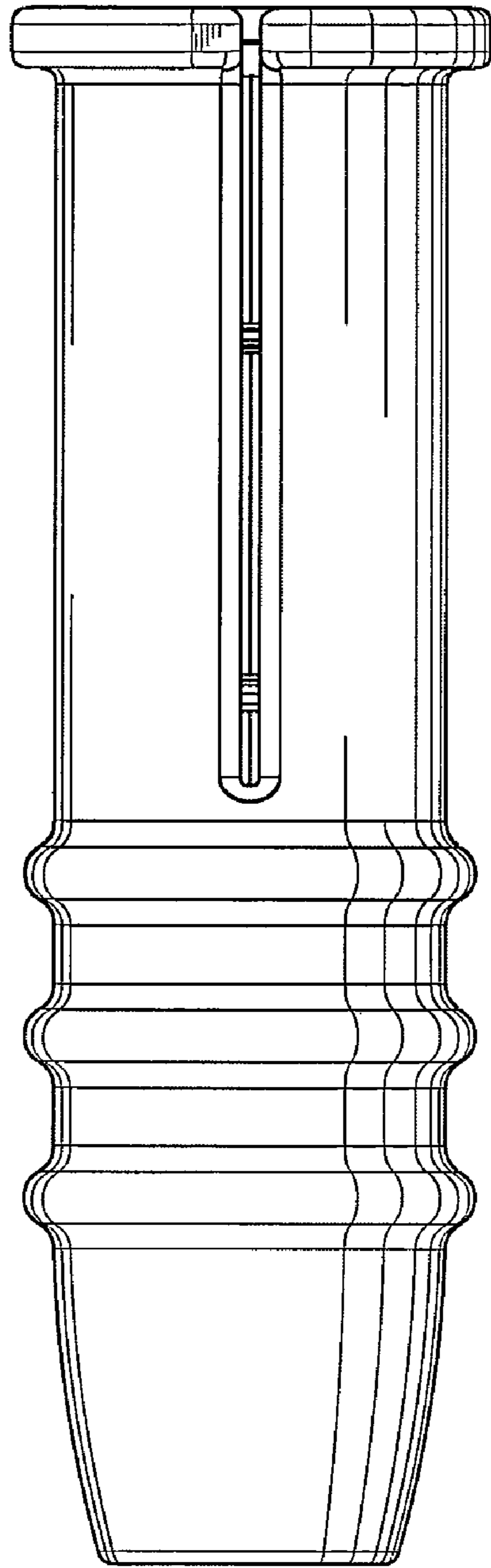
*Figure 2*



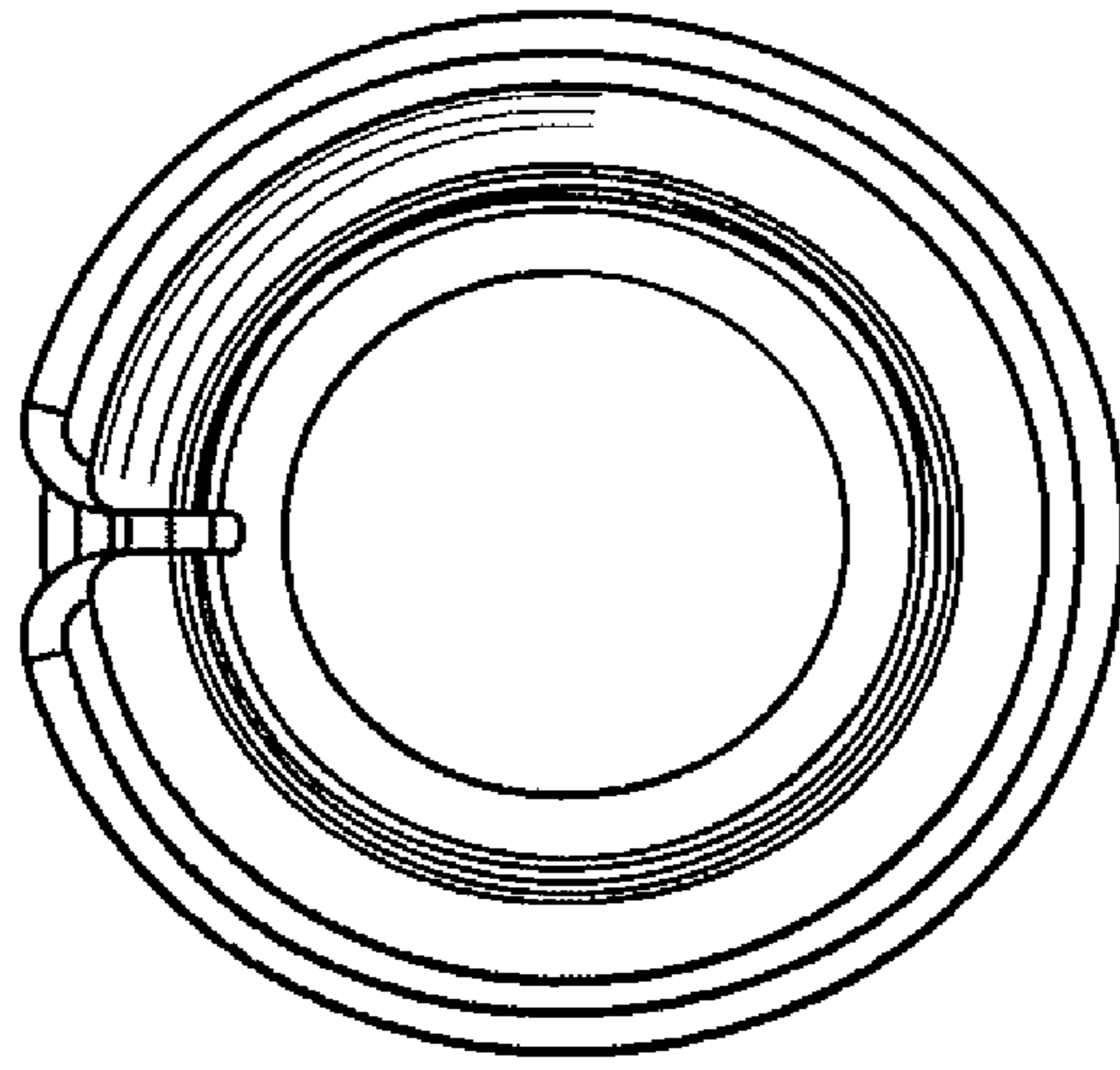
*Figure 3*



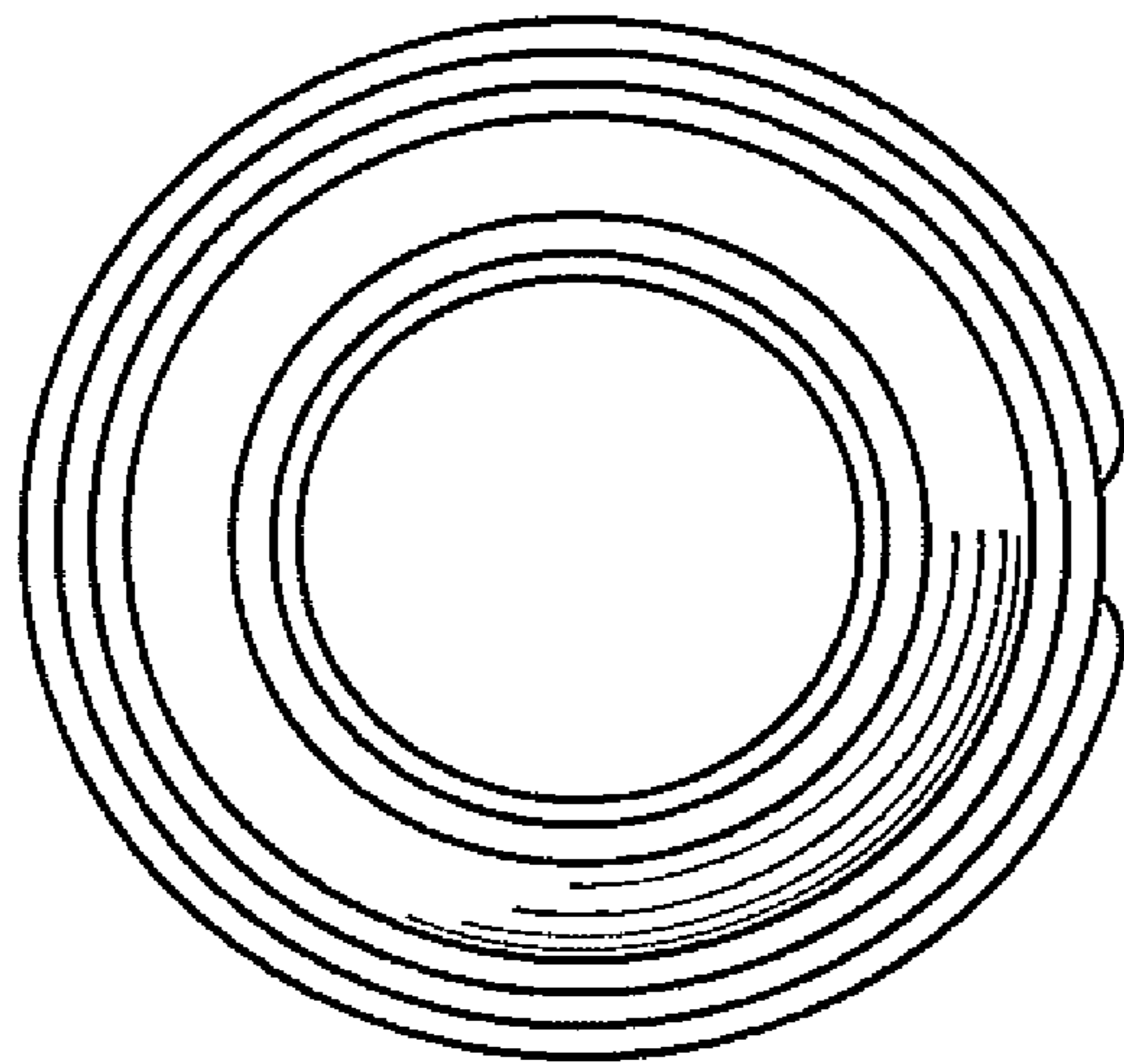
*Figure 4*



*Figure 5*



*Figure 6*



*Figure 7*



UNITED STATES PATENT AND TRADEMARK OFFICE  
**CERTIFICATE OF CORRECTION**

PATENT NO. : D678,522 S  
APPLICATION NO. : 29/394150  
DATED : March 19, 2013  
INVENTOR(S) : Evelina Gustavsson

Page 1 of 1

It is certified that error appears in the above-identified patent and that said Letters Patent is hereby corrected as shown below:

**ON THE TITLE PAGE:**

At item (30), change the **Foreign Application Priority Data** to read as follows:

-- Dec. 15, 2010 (EM) ..... 001250054-0001 --.

Signed and Sealed this  
Eleventh Day of June, 2013



Teresa Stanek Rea  
*Acting Director of the United States Patent and Trademark Office*