



US00D678521S

(12) **United States Design Patent**  
**Mort et al.**

(10) **Patent No.:** **US D678,521 S**

(45) **Date of Patent:** **\*\* Mar. 19, 2013**

(54) **OUTLET ASSEMBLY**

(75) Inventors: **Michael E. Mort**, Somerset, PA (US);  
**Ian C. Miller**, Monroeville, PA (US)

(73) Assignee: **Koninklijke Philips Electronics N.V.**,  
Eindhoven (NL)

(\*\*) Term: **14 Years**

(21) Appl. No.: **29/342,945**

(22) Filed: **Sep. 3, 2009**

(51) **LOC (9) Cl.** ..... **29-02**

(52) **U.S. Cl.** ..... **D24/129; D24/110.6**

(58) **Field of Classification Search** ..... D24/110.6,  
D24/129; 128/203.11, 206.26, 207.12, 207.16  
See application file for complete search history.

(56) **References Cited**

**U.S. PATENT DOCUMENTS**

4,854,574 A \* 8/1989 Larson et al. .... 482/13  
D340,976 S \* 11/1993 Garcia ..... D24/110  
D357,734 S \* 4/1995 Mongeon ..... D24/129  
D424,193 S \* 5/2000 Wohltmann et al. .... D24/110.6

D474,839 S \* 5/2003 Francavilla et al. .... D24/129  
D488,866 S \* 4/2004 O'Dell ..... D24/129  
D496,998 S \* 10/2004 Pajunk et al. .... D24/146  
D519,632 S \* 4/2006 Bayron et al. .... D24/110.6  
D577,117 S \* 9/2008 Biener et al. .... D24/110.1  
D639,940 S \* 6/2011 Cushner et al. .... D24/129  
D645,961 S \* 9/2011 Biener et al. .... D24/129

\* cited by examiner

*Primary Examiner* — Rashida Johnson

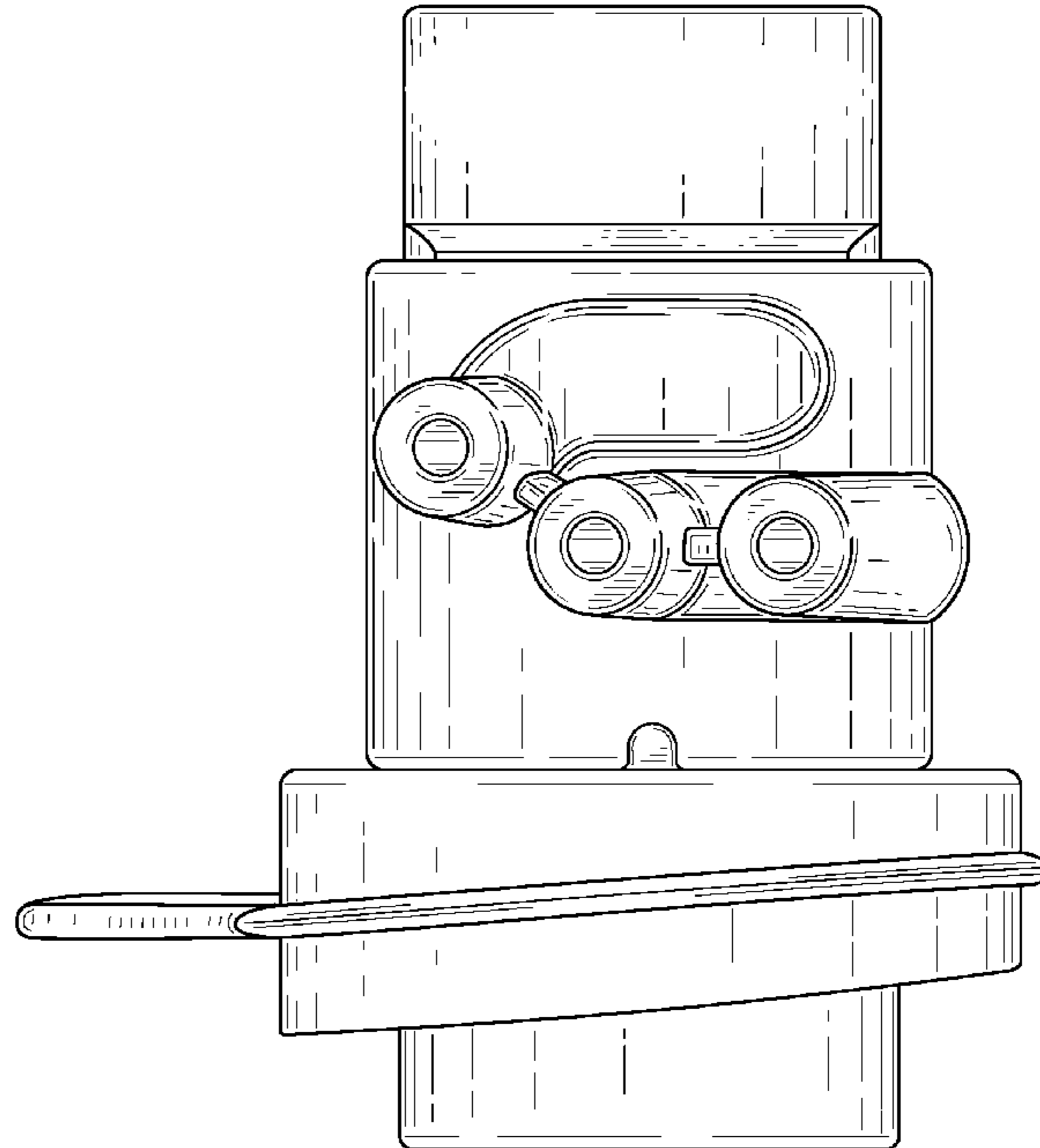
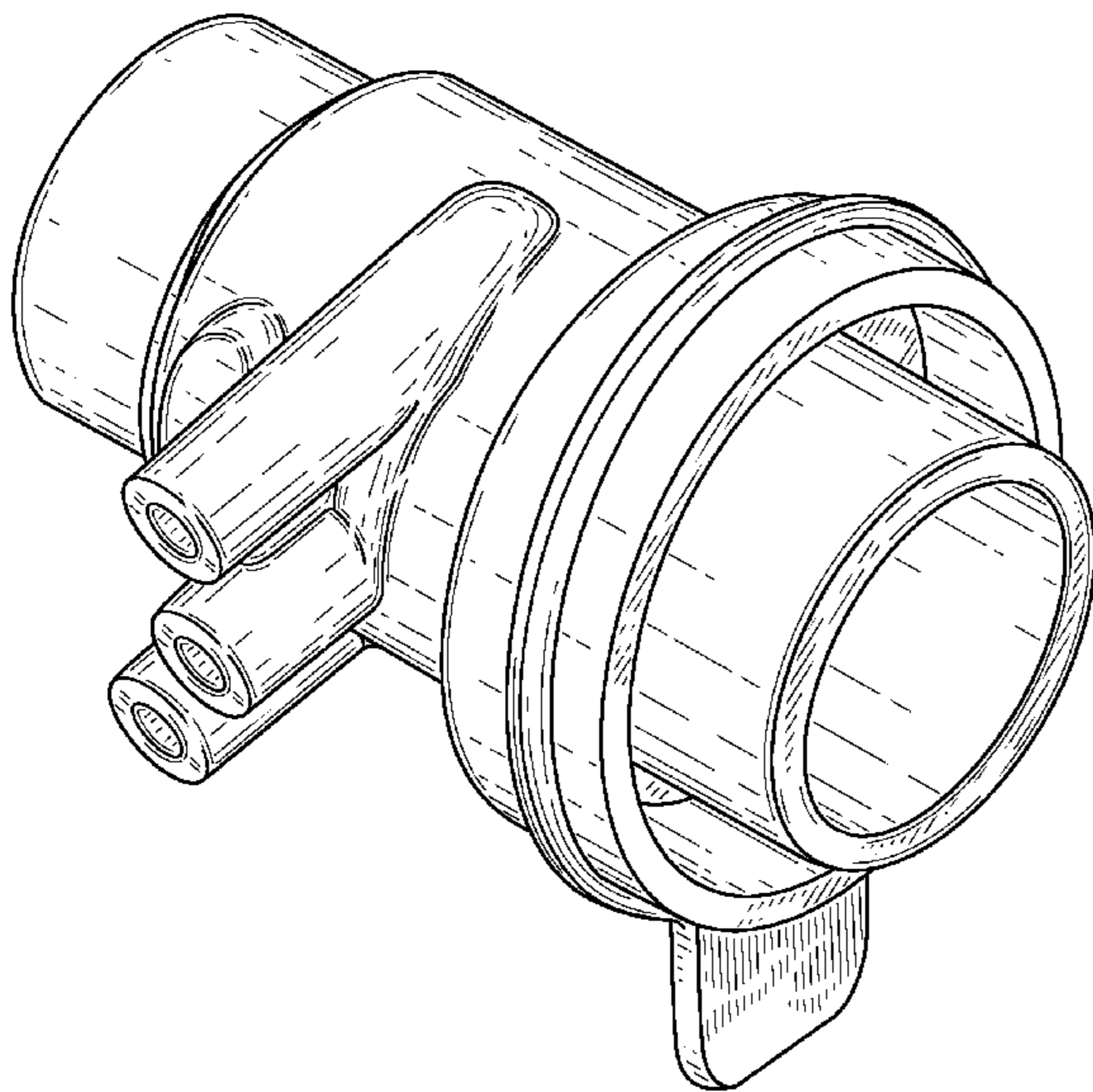
(57) **CLAIM**

The ornamental design for a outlet assembly, as shown.

**DESCRIPTION**

FIG. 1 is a perspective view showing my design;  
FIG. 2 is a front elevational view thereof;  
FIG. 3 is a rear elevational view thereof;  
FIG. 4 is a right side elevational view thereof;  
FIG. 5 is a left side elevational view thereof;  
FIG. 6 is a top plan view thereof; and,  
FIG. 7 is a bottom plan view thereof.  
The broken lines in FIGS. 2 and 3 represent the portions of the  
Outlet Assembly which form no part of the claimed design.

**1 Claim, 7 Drawing Sheets**



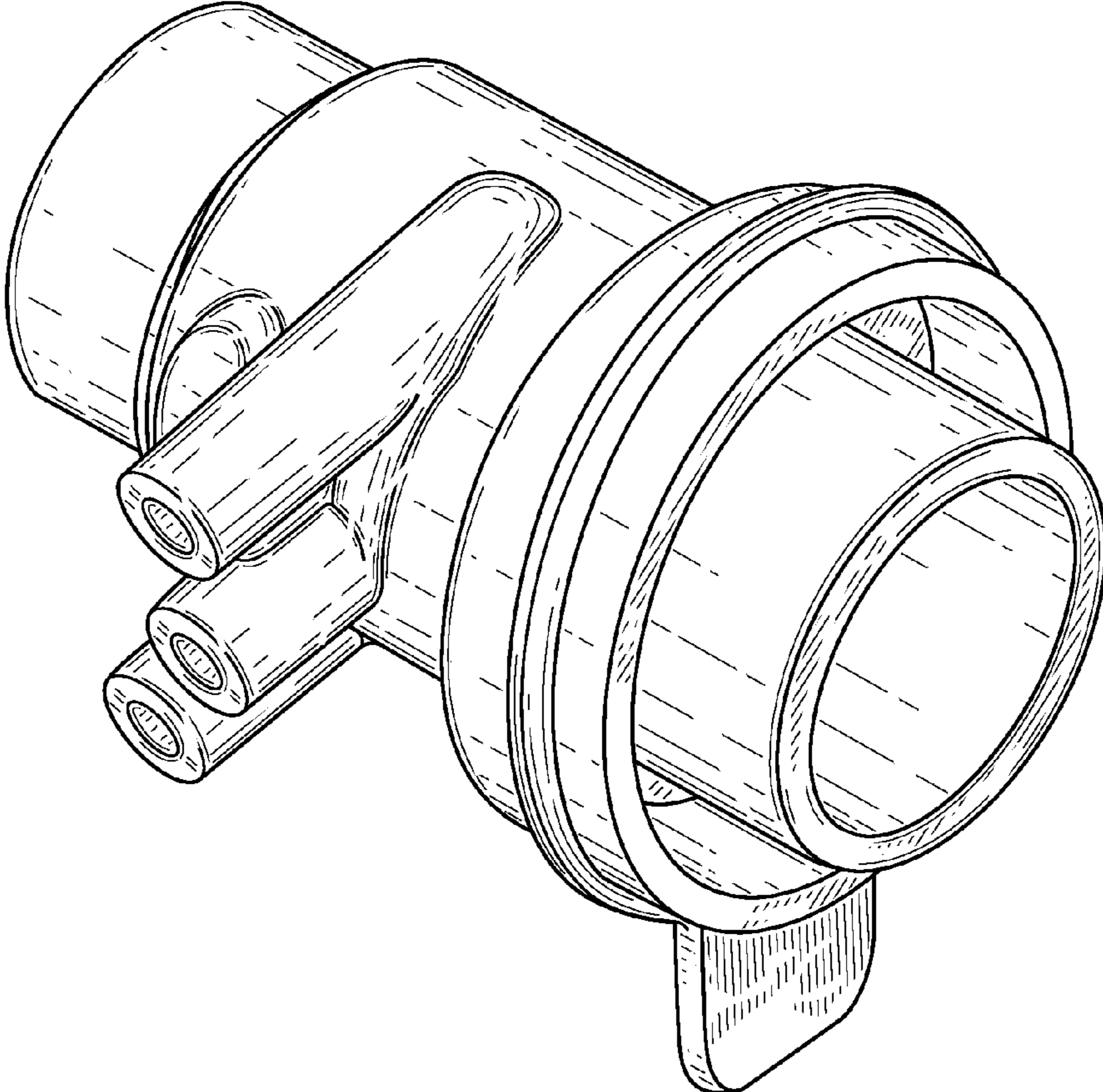


FIG. 1

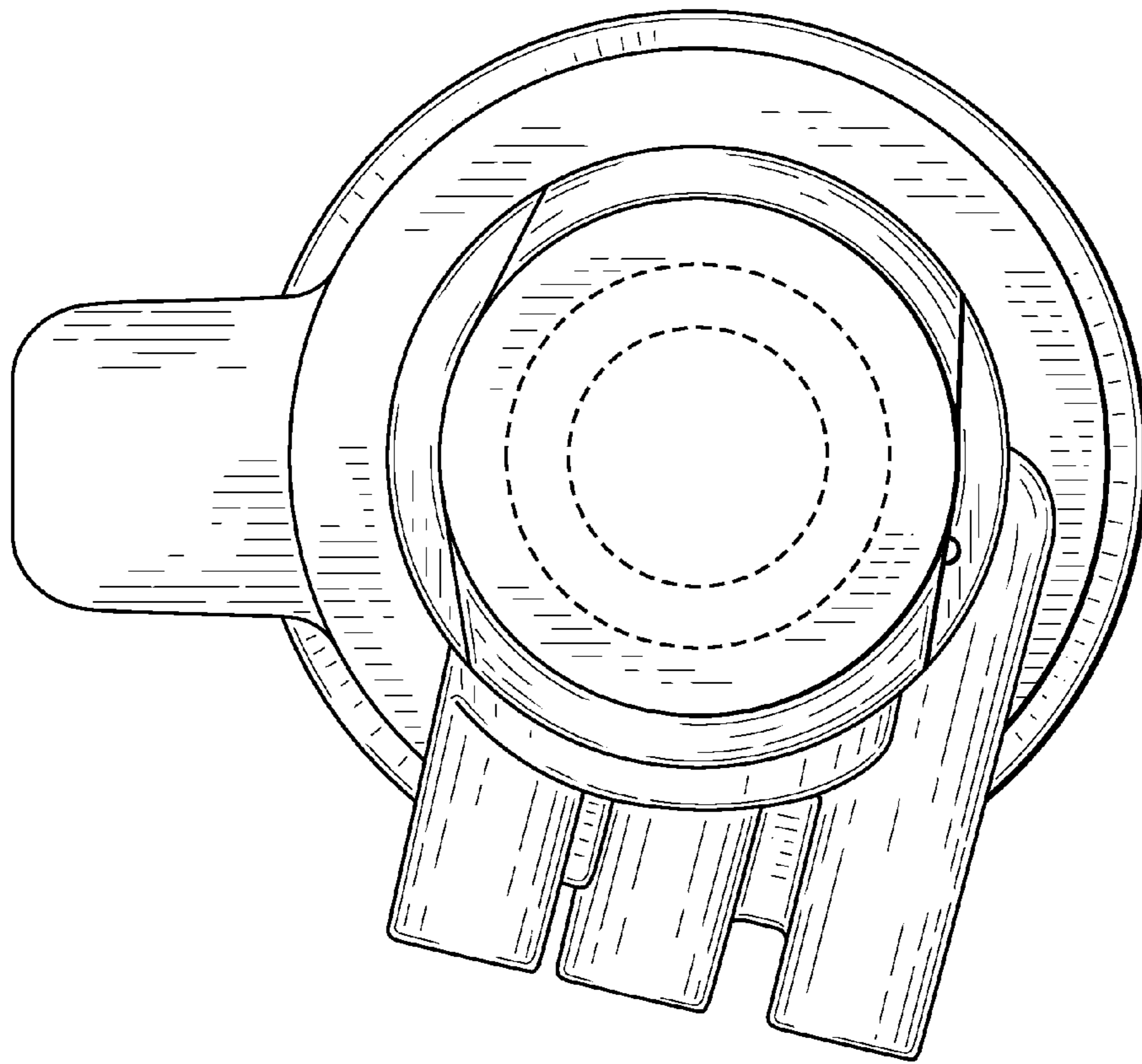


FIG. 2

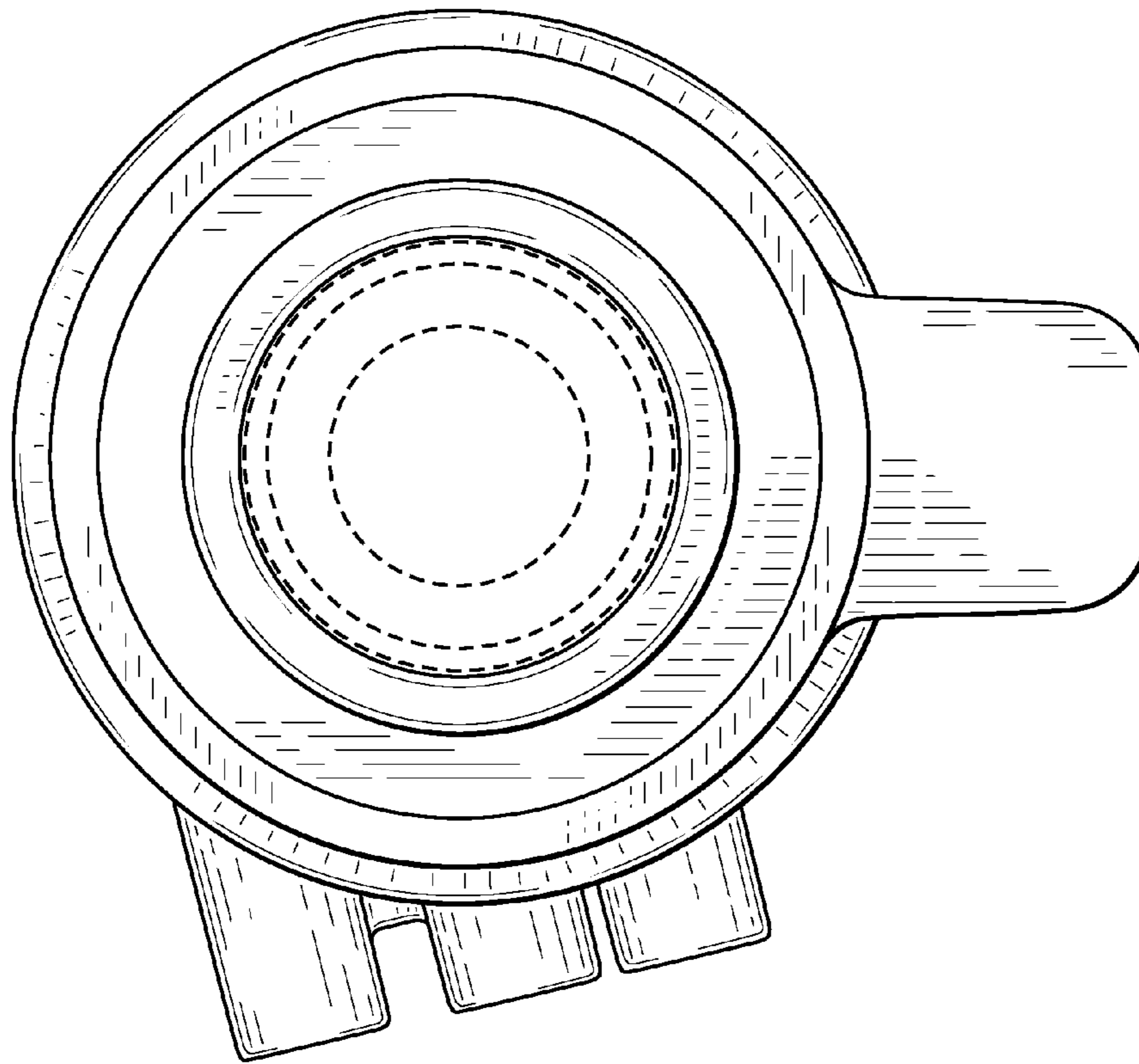


FIG. 3

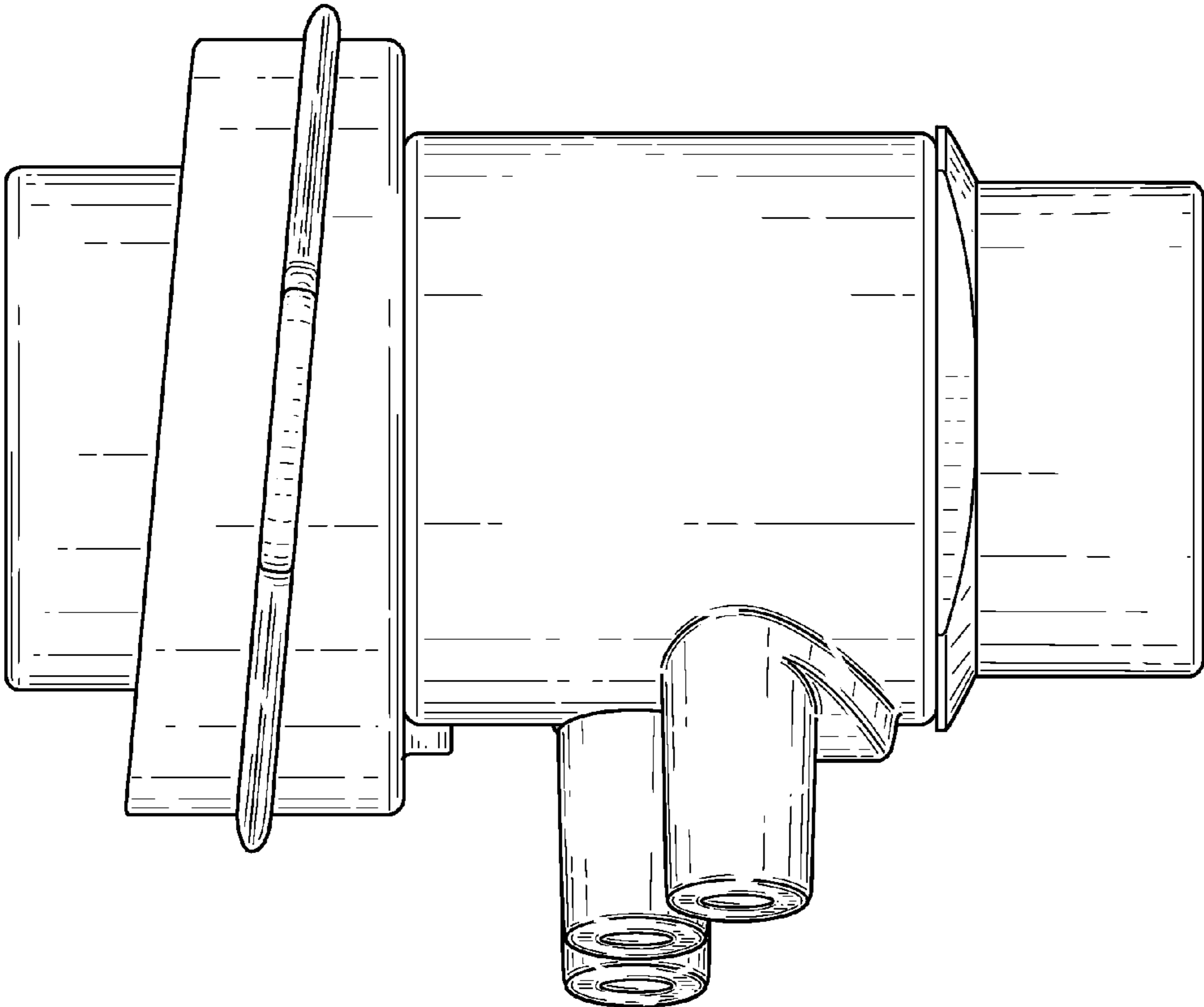


FIG. 4

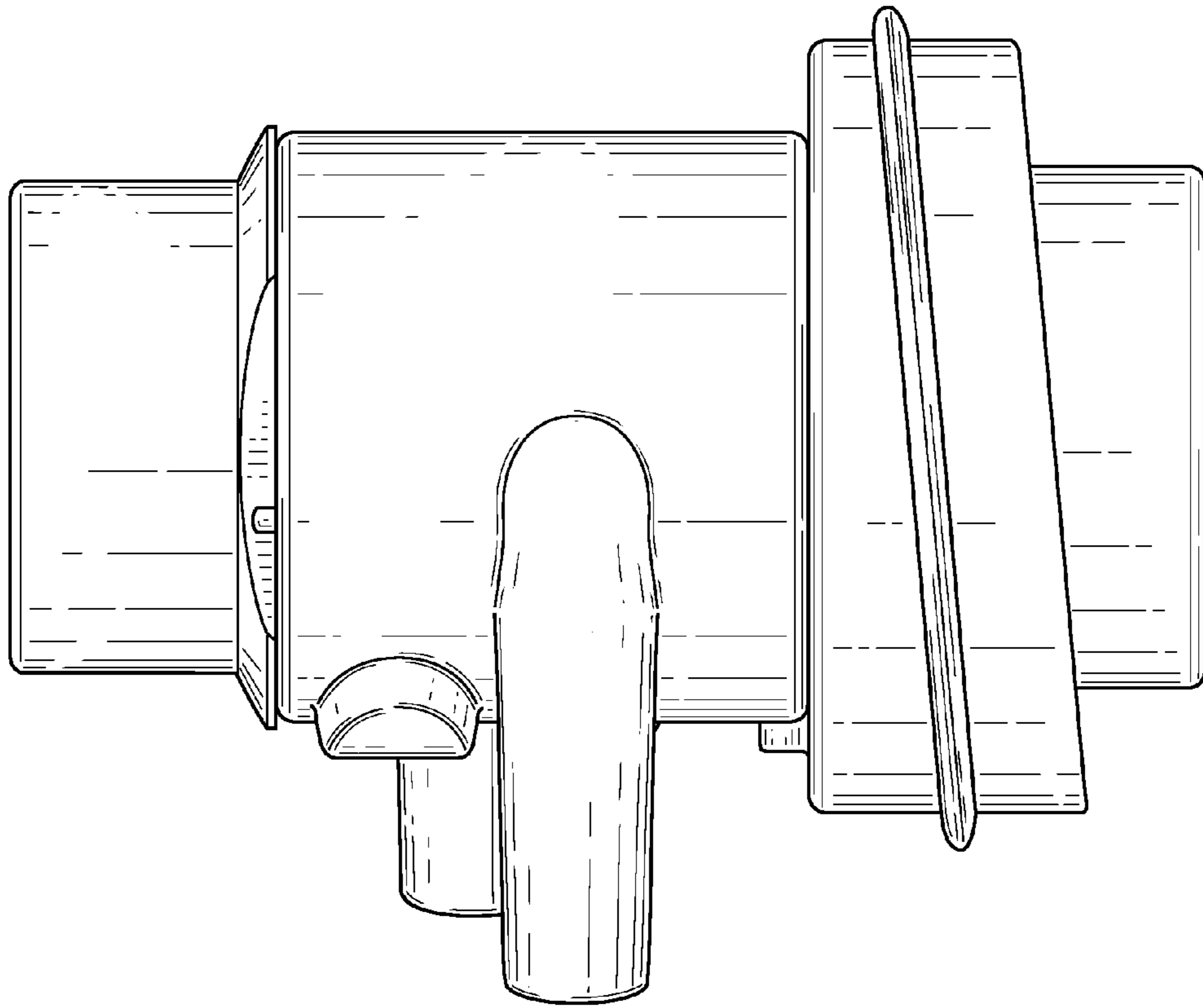


FIG. 5

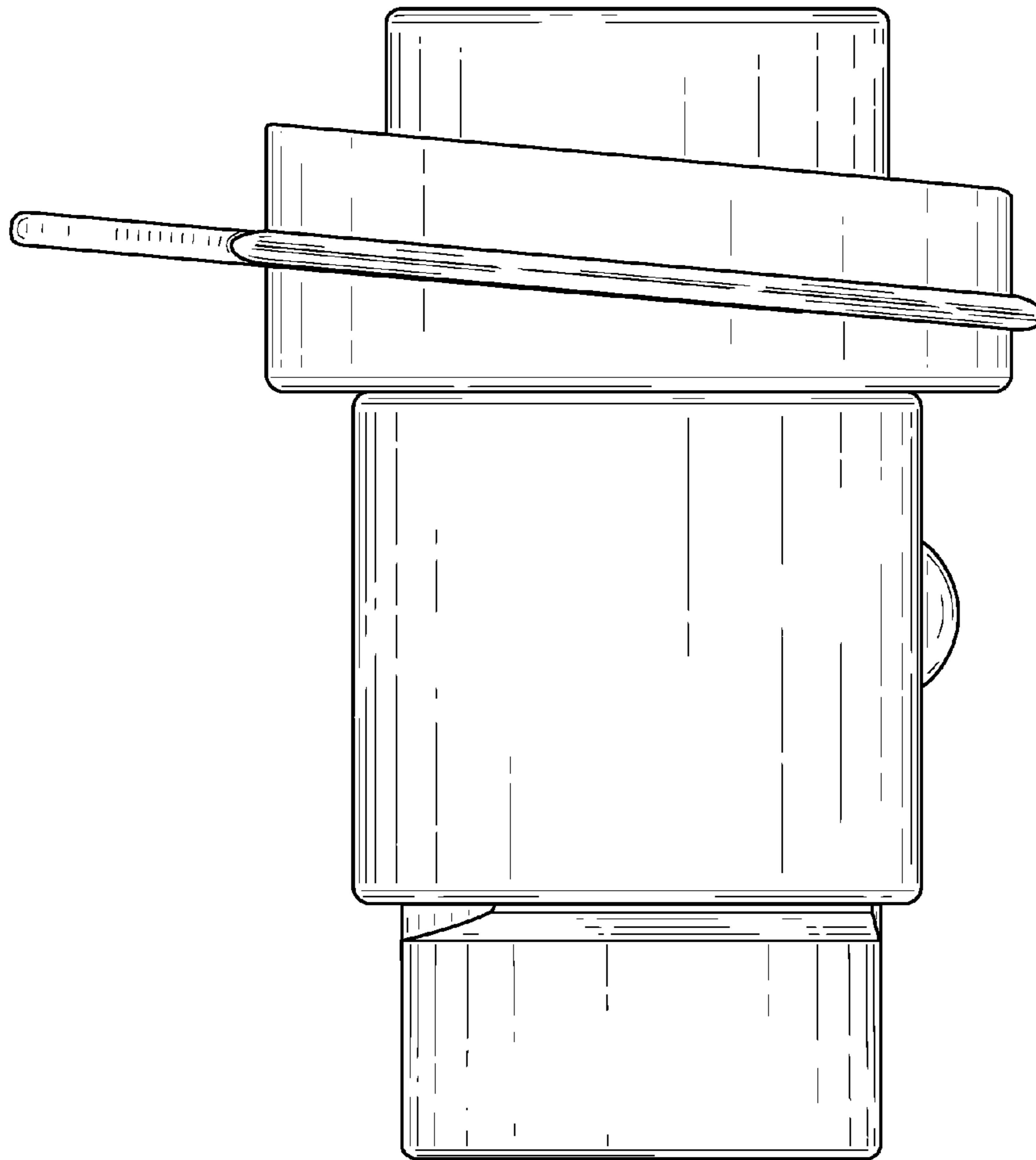


FIG. 6

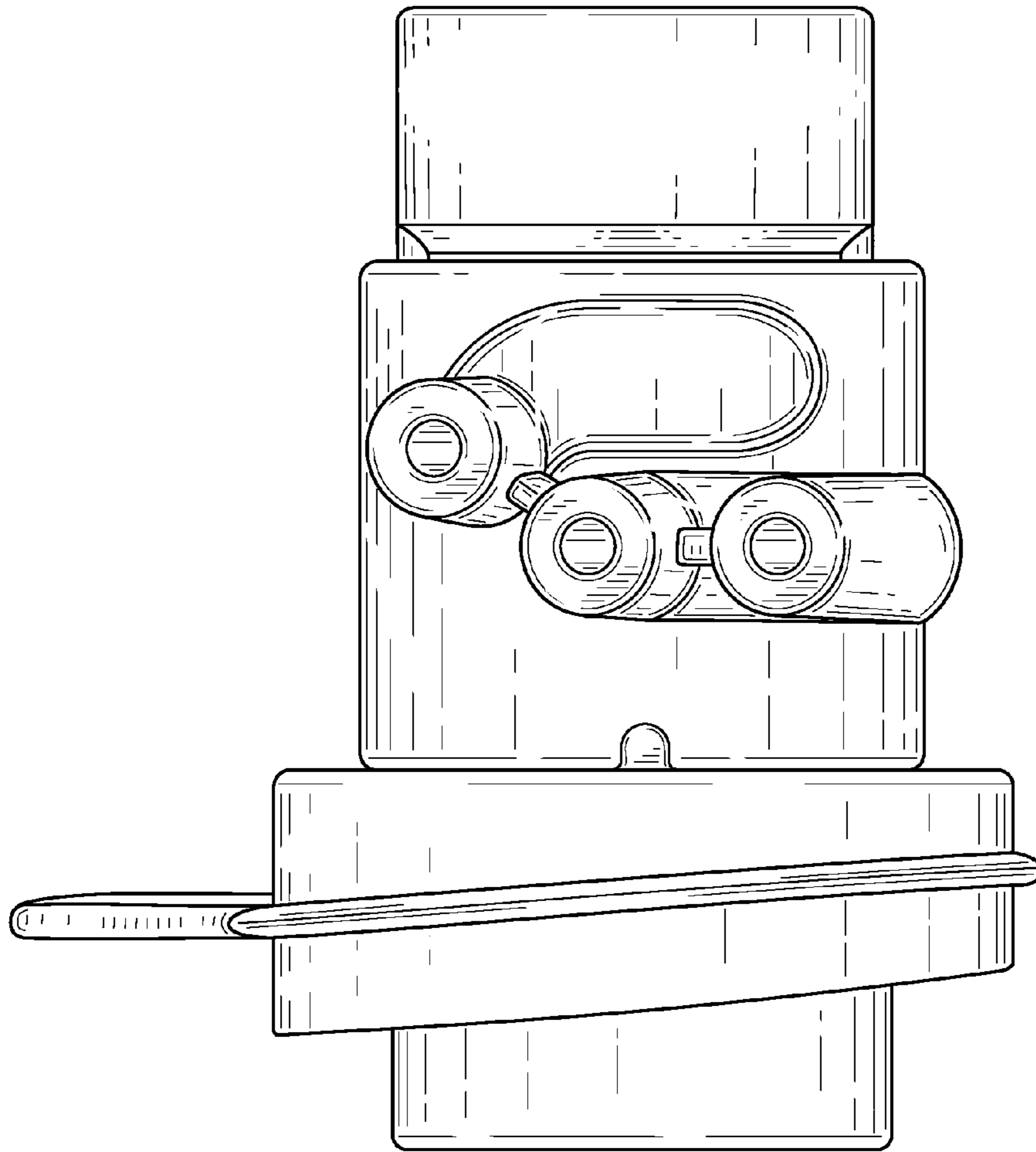


FIG. 7