



US00D678520S

(12) **United States Design Patent**
Marcoe

(10) **Patent No.:** **US D678,520 S**
(45) **Date of Patent:** **** Mar. 19, 2013**

(54) **STRIP OF TAPE FOR SECURING AN AIRWAY
DEVICE TO A PATIENT**

(75) Inventor: **Gregory P. Marcoe**, Midland, MI (US)

(73) Assignee: **Majorus Medical, Inc.**, Decatur, IL
(US)

(**) Term: **14 Years**

(21) Appl. No.: **29/386,430**

(22) Filed: **Mar. 1, 2011**

(51) **LOC (9) Cl.** **24-02**

(52) **U.S. Cl.** **D24/128**

(58) **Field of Classification Search** D24/127-131,
D24/112-114, 133, 186, 189; 606/181, 185;
604/180, 232, 187, 158, 164.08, 192, 263,
604/163, 181, 184, 198, 227; 600/101, 139,
600/143; 128/207.17, 912, 200.24, 207.14,
128/207.15; D19/69; 602/54

See application file for complete search history.

(56) **References Cited**

U.S. PATENT DOCUMENTS

3,927,676	A *	12/1975	Schultz	128/207.17
4,324,237	A *	4/1982	Buttaravoli	602/54
4,665,566	A *	5/1987	Garrow	128/912
5,038,778	A	8/1991	Lott	128/207.17
5,306,233	A	4/1994	Glover	602/41
D354,812	S *	1/1995	Jasen et al.	D24/189
5,411,484	A *	5/1995	Shattuck	128/207.17
5,429,589	A *	7/1995	Cartmell et al.	D24/189
5,507,285	A *	4/1996	Mota	128/207.17

5,546,938	A	8/1996	McKenzie	128/207.17
5,623,924	A *	4/1997	Lindenman et al.	128/207.17
5,638,814	A	6/1997	Byrd	128/207.17
5,985,990	A *	11/1999	Kantner et al.	604/180
D420,449	S *	2/2000	Schiffrin et al.	D24/189
D472,319	S *	3/2003	Oltmann	D24/189
D549,347	S *	8/2007	Jennings-Spring	D24/189
7,524,307	B2	4/2009	Davis et al.	604/180
7,544,186	B2	6/2009	Davis et al.	604/180
7,863,496	B2 *	1/2011	Harren et al.	602/54
2009/0240207	A1	9/2009	Davis et al.	604/180

* cited by examiner

Primary Examiner — David Muller

(74) *Attorney, Agent, or Firm* — Alvin T. Rockhill

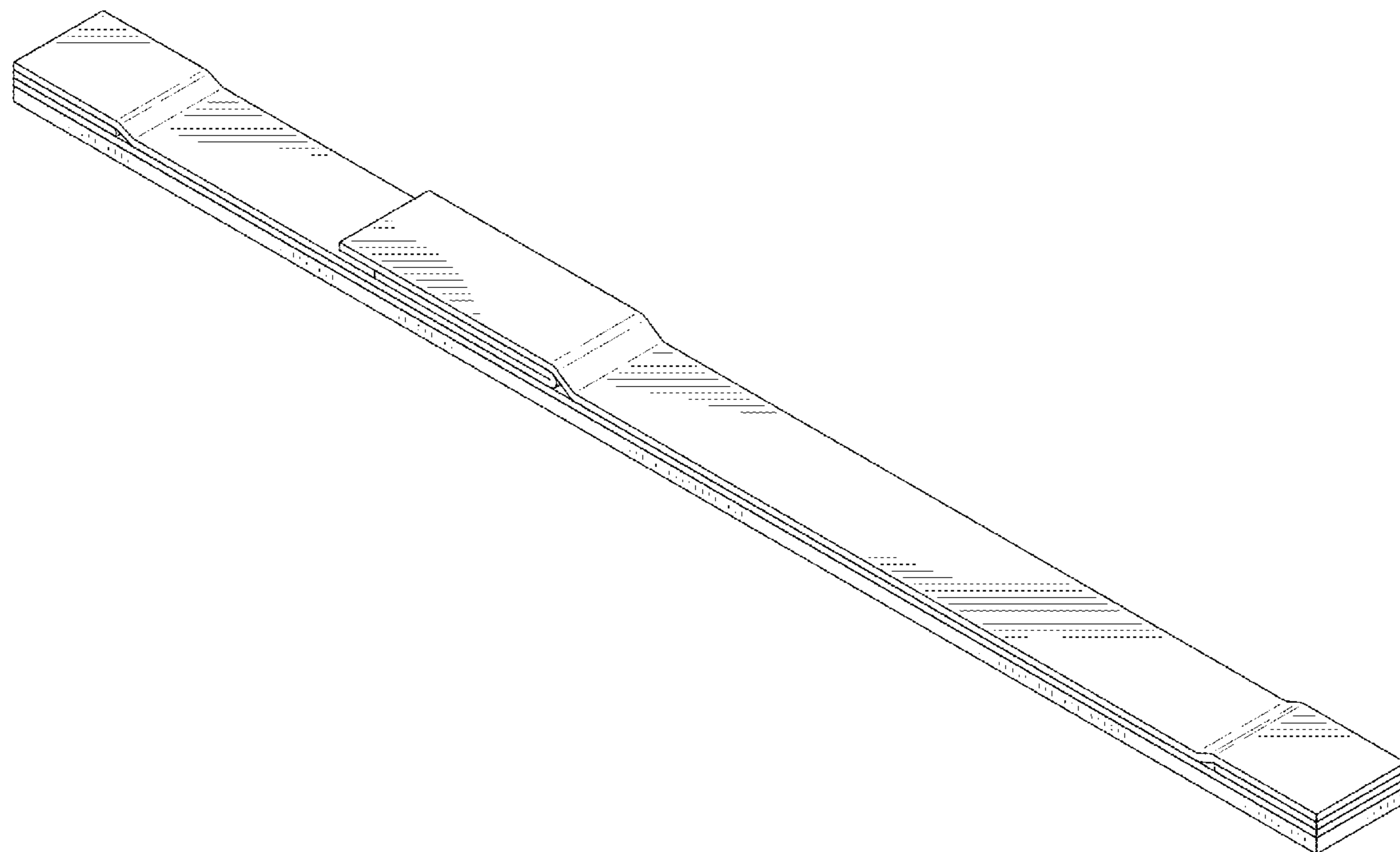
(57) **CLAIM**

The ornamental design for strip of tape for securing an airway device to a patient, as shown and described.

DESCRIPTION

FIG. 1 is a front perspective view of the strip of medical tape my new design;
FIG. 2 is a top view of the medical tape of my new design;
FIG. 3 is a front view of the tape with the back view being a mirror image of the front view;
FIG. 4 is a left side view of the tape illustrating my new design;
FIG. 5 is a right side view of the tape illustrating my new design; and,
FIG. 6 is bottom view of the tape illustrating my new design.

1 Claim, 2 Drawing Sheets



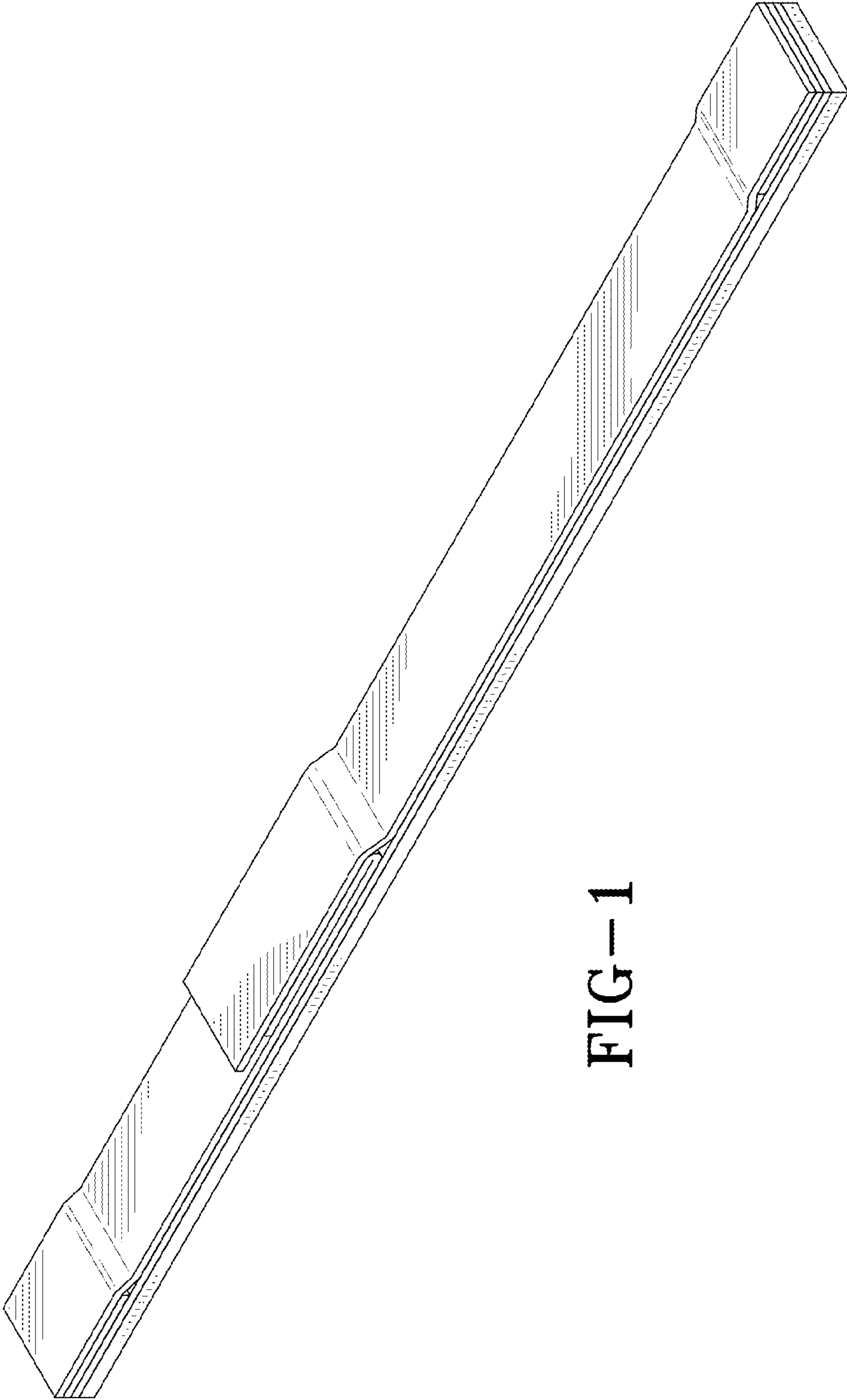


FIG-1

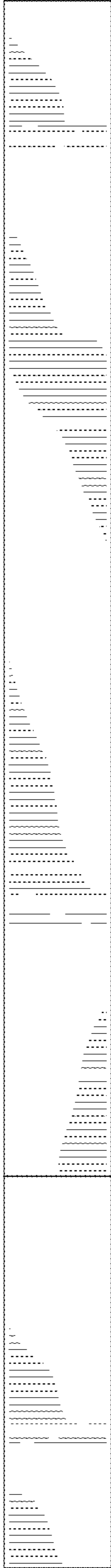


FIG-2

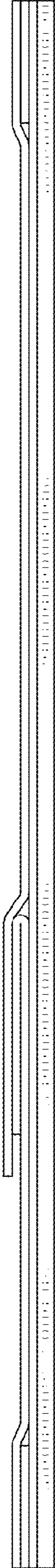


FIG-3

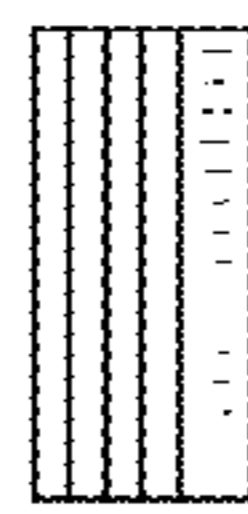


FIG-4

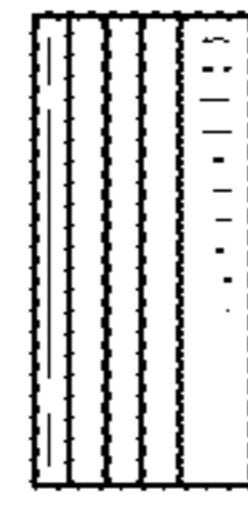


FIG-5

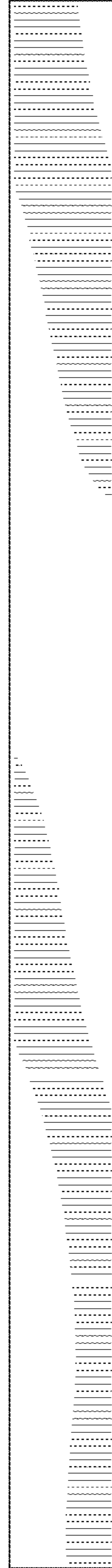


FIG-6