



US00D678516S

(12) **United States Design Patent**  
**Wong**

(10) **Patent No.:** **US D678,516 S**

(45) **Date of Patent:** **\*\* Mar. 19, 2013**

(54) **ORAL FLUID COLLECTOR**

(76) Inventor: **Johnson N. S. Wong**, Rolling Hills, CA  
(US)

(\*\*) Term: **14 Years**

(21) Appl. No.: **29/393,177**

(22) Filed: **May 31, 2011**

(51) **LOC (9) Cl.** ..... **24-04**

(52) **U.S. Cl.** ..... **D24/121**

(58) **Field of Classification Search** ..... D24/121,  
D24/123, 224; 604/317-325; 4/460; 422/537  
See application file for complete search history.

(56) **References Cited**

**U.S. PATENT DOCUMENTS**

4,606,080	A *	8/1986	Clementino	.....	4/460
D453,572	S *	2/2002	Livecchi	.....	D24/224
6,406,922	B2 *	6/2002	Casterlin et al.	.....	422/537
D485,365	S *	1/2004	Py et al.	.....	D24/224
D505,494	S *	5/2005	Py et al.	.....	D24/224
D511,214	S *	11/2005	Sasano et al.	.....	D24/224

D522,663	S *	6/2006	Py et al.	.....	D24/224
D533,670	S *	12/2006	Py et al.	.....	D24/224
D559,396	S *	1/2008	Dave	.....	D24/224
D562,987	S *	2/2008	Colin et al.	.....	D24/224
D567,388	S *	4/2008	Harold et al.	.....	D24/224
D613,873	S *	4/2010	Jia	.....	D24/224
D656,236	S *	3/2012	Marechal et al.	.....	D24/224

\* cited by examiner

*Primary Examiner* — David Muller

(74) *Attorney, Agent, or Firm* — Berliner & Associates

(57) **CLAIM**

The ornamental design for an oral fluid collector, as shown and described.

**DESCRIPTION**

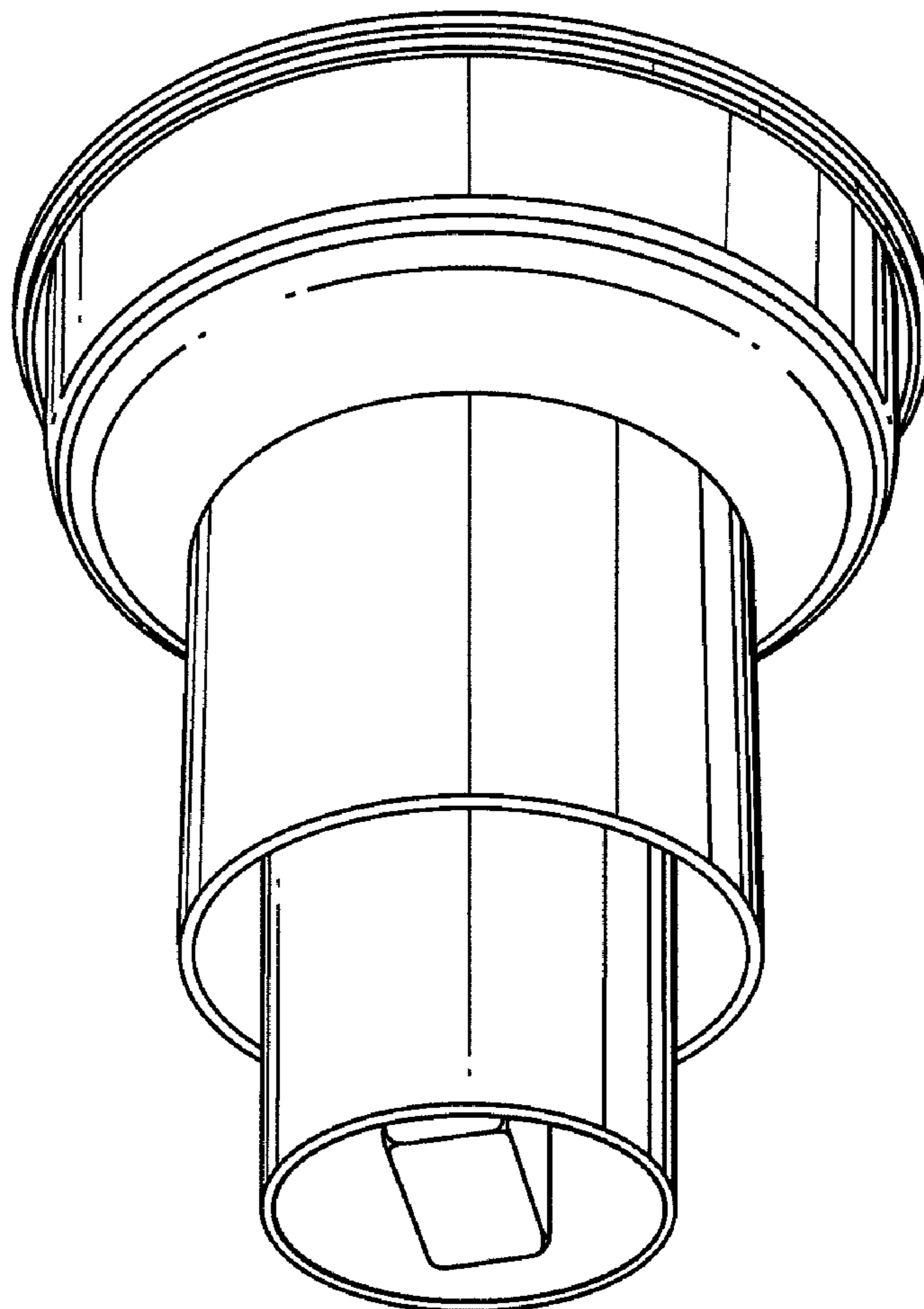
FIG. 1 is an exploded perspective view of the oral fluid collector, showing its components comprising a vial, a funnel, a cap for the vial, and a lid having an enclosure for retaining the cap;

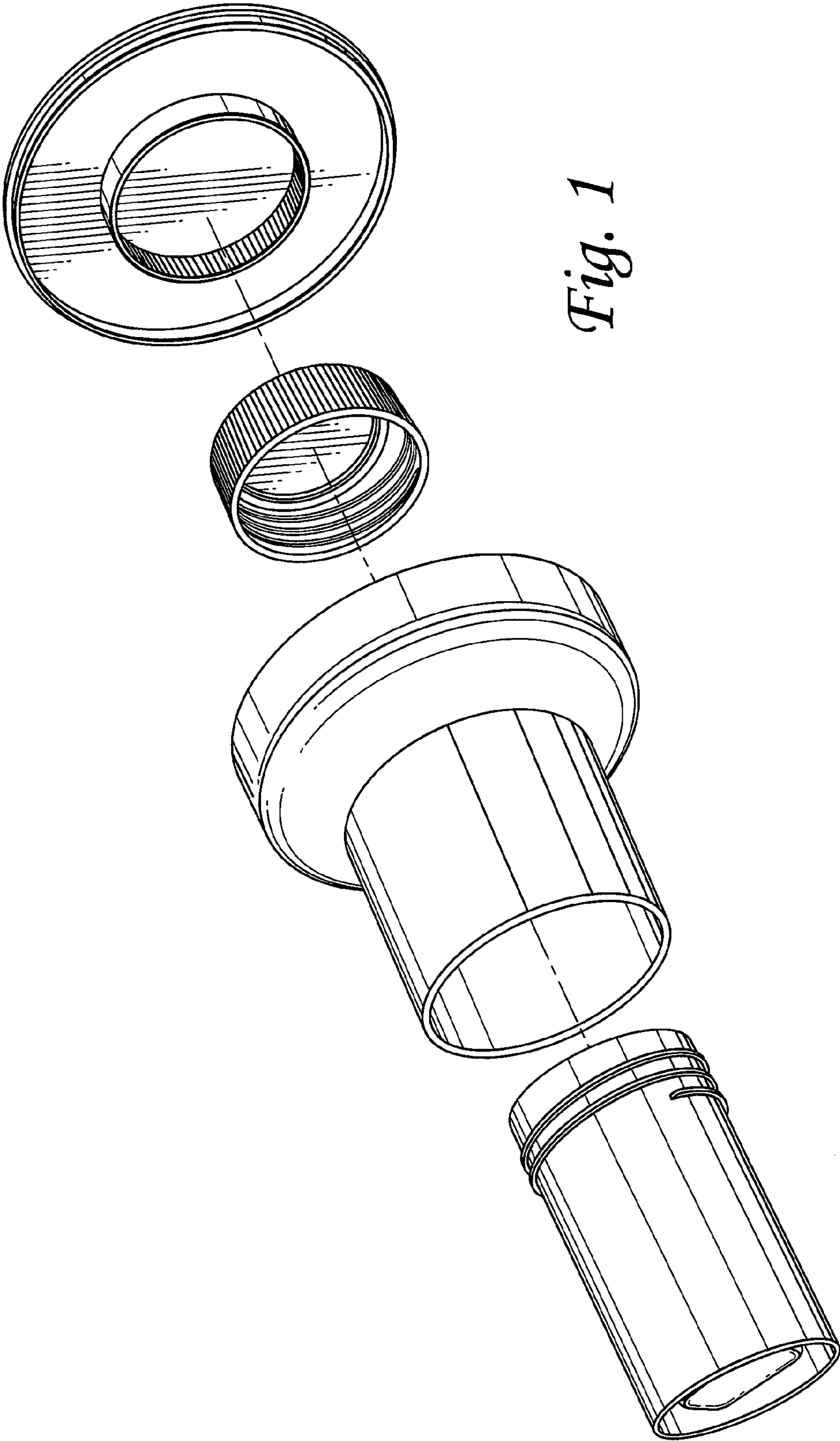
FIG. 2 is a bottom perspective view of the collector.

FIG. 3 is an elevational view of the collector; and,

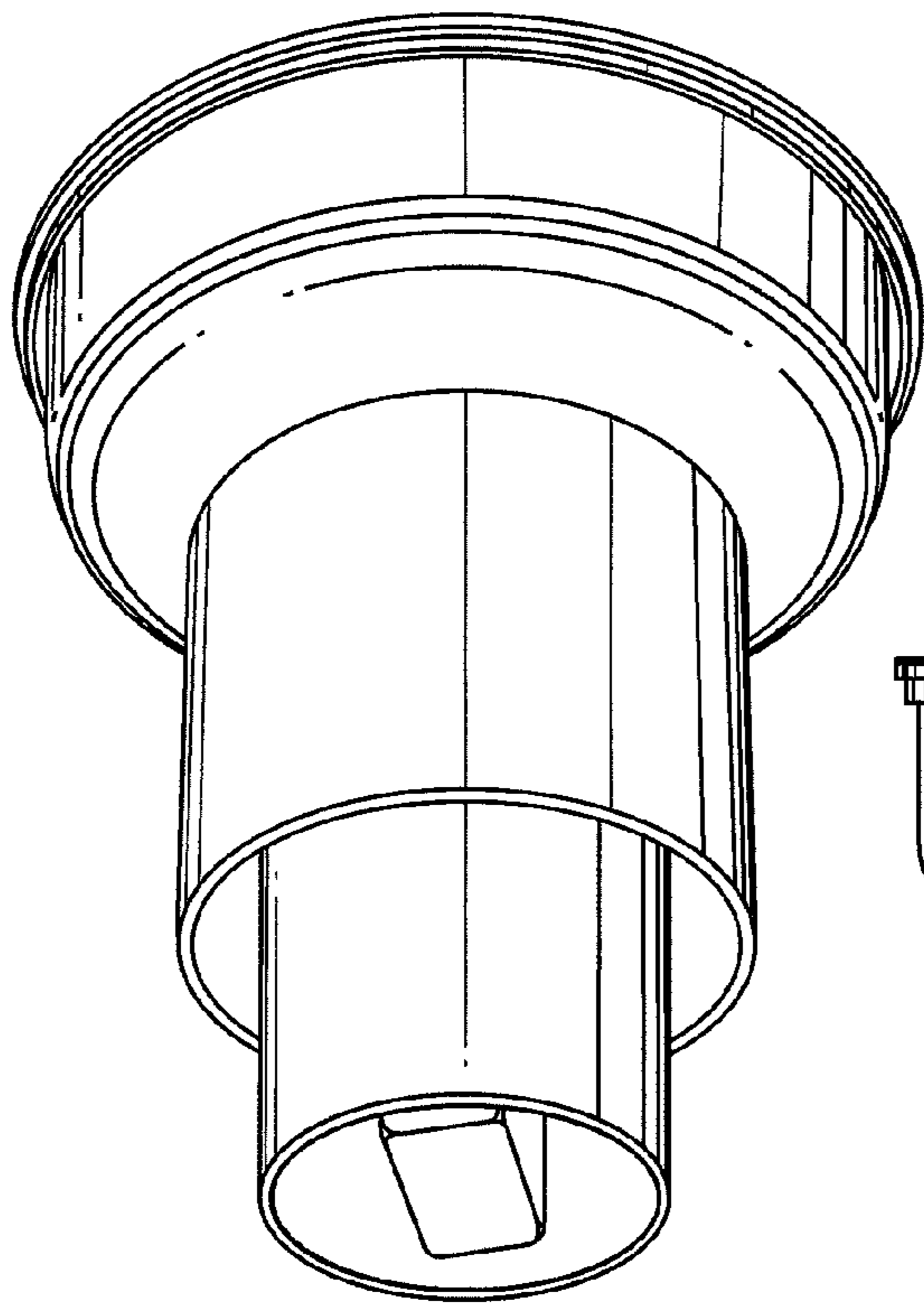
FIG. 4 is a top plan view of the collector.

**1 Claim, 2 Drawing Sheets**

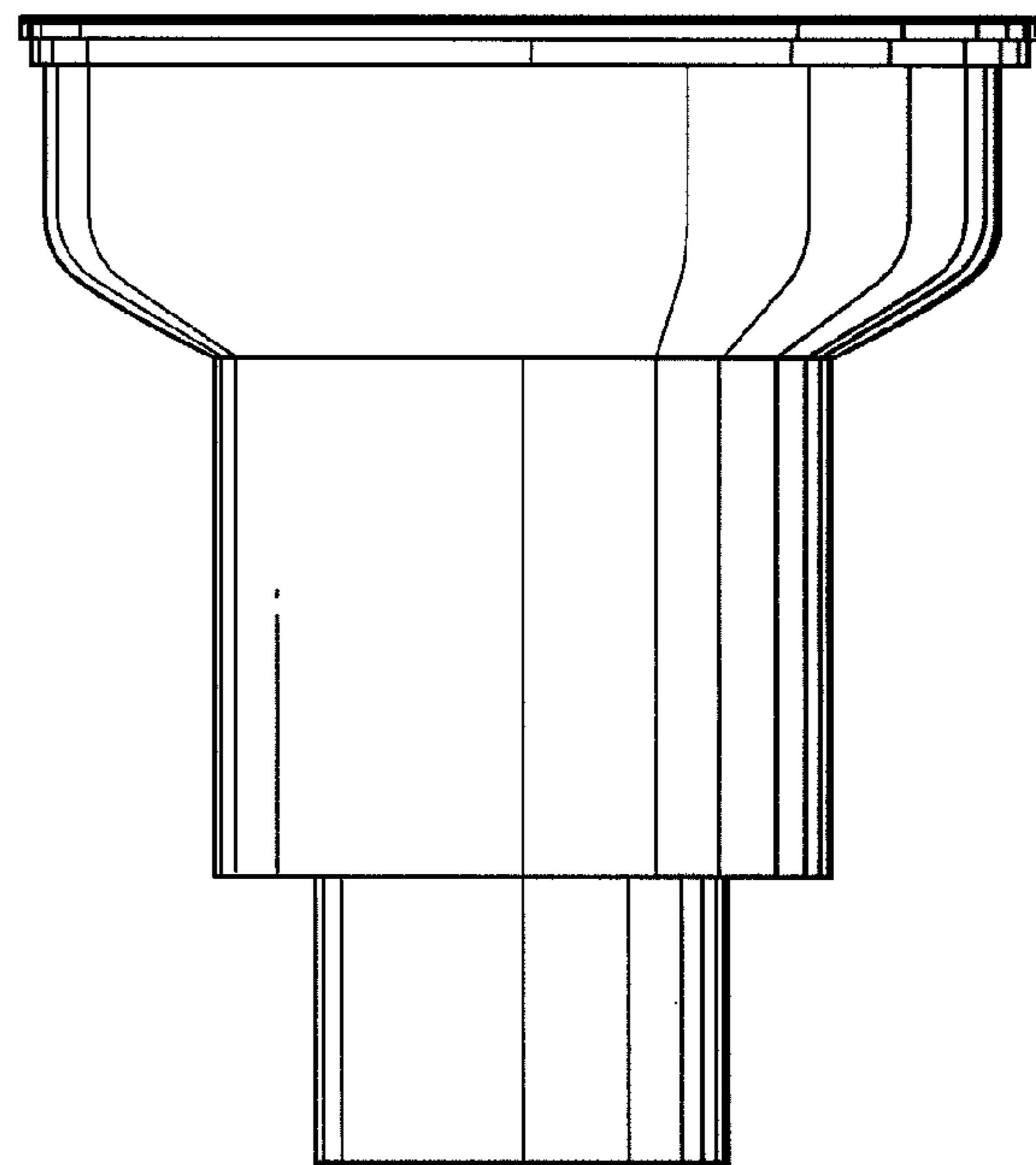




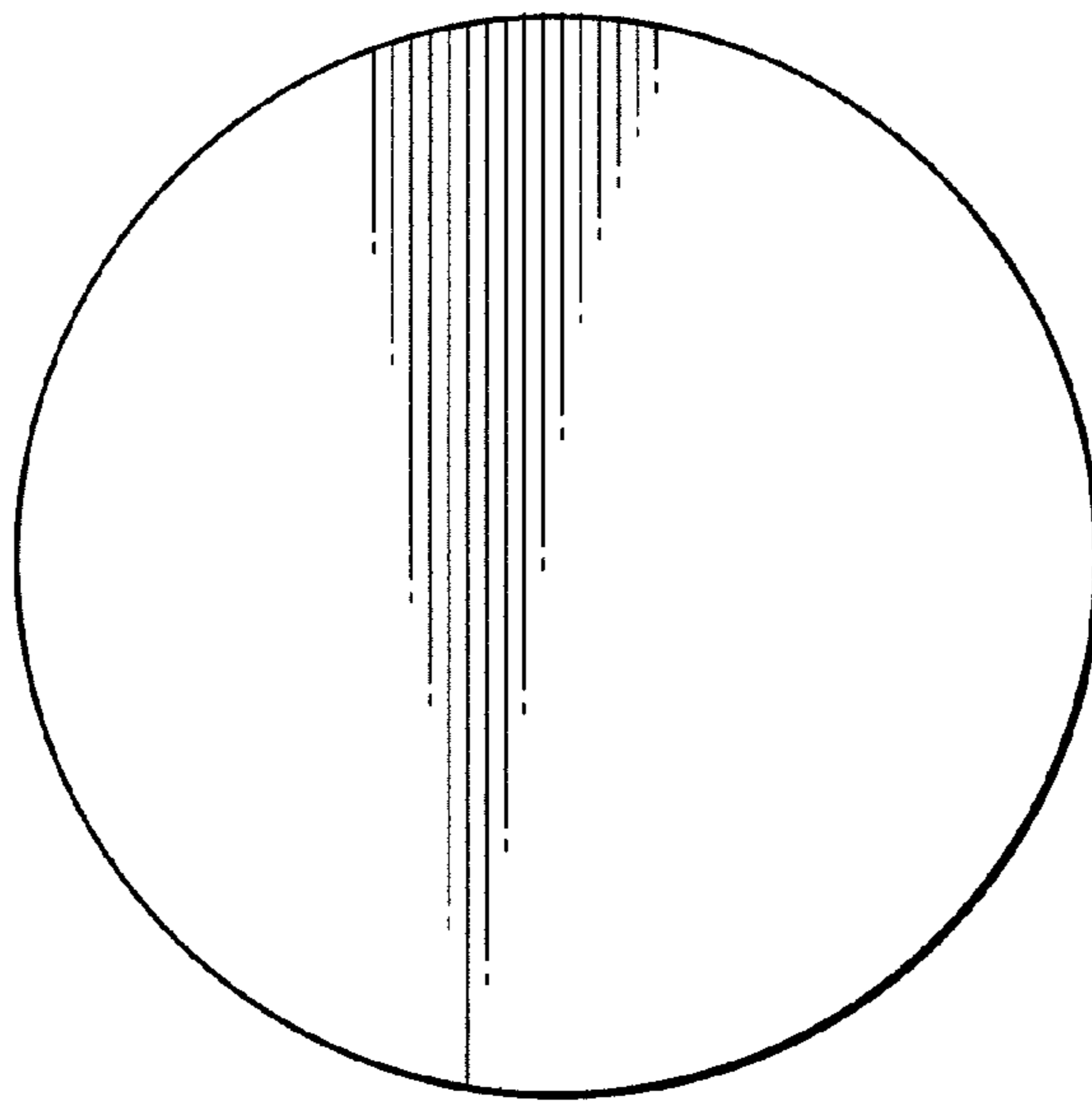
*Fig. 1*



*Fig. 2*



*Fig. 3*



*Fig. 4*