



US00D678515S

(12) **United States Design Patent**  
**Enriquez**

(10) **Patent No.:** **US D678,515 S**

(45) **Date of Patent:** **\*\* Mar. 19, 2013**

(54) **INOCULATION LOOP DEVICE WITH ANGLED END**

(76) Inventor: **Teena Sommers Enriquez**, Augusta, GA (US)

(\*\*) Term: **14 Years**

(21) Appl. No.: **29/397,189**

(22) Filed: **Jul. 13, 2011**

(51) **LOC (9) Cl.** ..... **24-02**

(52) **U.S. Cl.** ..... **D24/119**

(58) **Field of Classification Search** ..... D24/119,  
D24/133, 141; 606/162, 180; D28/7, 8;  
604/1, 2, 19, 3, 309, 73, 540; 132/317; 600/572;  
401/196; D32/40; 433/3, 4, 141; D8/52;  
D7/686; D23/403

See application file for complete search history.

(56) **References Cited**

U.S. PATENT DOCUMENTS

D249,364 S *	9/1978	Julius	.....	D24/119
D251,516 S *	4/1979	Guedel	.....	D4/103
D272,661 S *	2/1984	Cutler	.....	D28/7
D279,405 S *	6/1985	Lentz	.....	D24/133
D307,331 S *	4/1990	Pflieger	.....	D28/7
D340,981 S *	11/1993	Hood et al.	.....	D24/146
D369,665 S *	5/1996	Holt	.....	D24/147
D388,546 S *	12/1997	McEntee	.....	D28/63
D450,676 S *	11/2001	Huttner	.....	D24/147
D537,200 S *	2/2007	Montoli	.....	D28/7
D540,945 S *	4/2007	Darnold et al.	.....	D24/152
D552,792 S *	10/2007	Bargiel et al.	.....	D28/7

D607,164 S \* 12/2009 Stiglich et al. .... D32/35

\* cited by examiner

*Primary Examiner* — David Muller

(74) *Attorney, Agent, or Firm* — Withers & Keys, LLC

(57) **CLAIM**

The design for an inoculation loop device with angled end, as shown and described.

**DESCRIPTION**

FIG. 1 is a side elevational view of an inoculation loop device with an angled end;

FIG. 2 is a side view of the inoculation loop device with an angled end;

FIG. 3 is a bottom view of the inoculation loop device with an angled end;

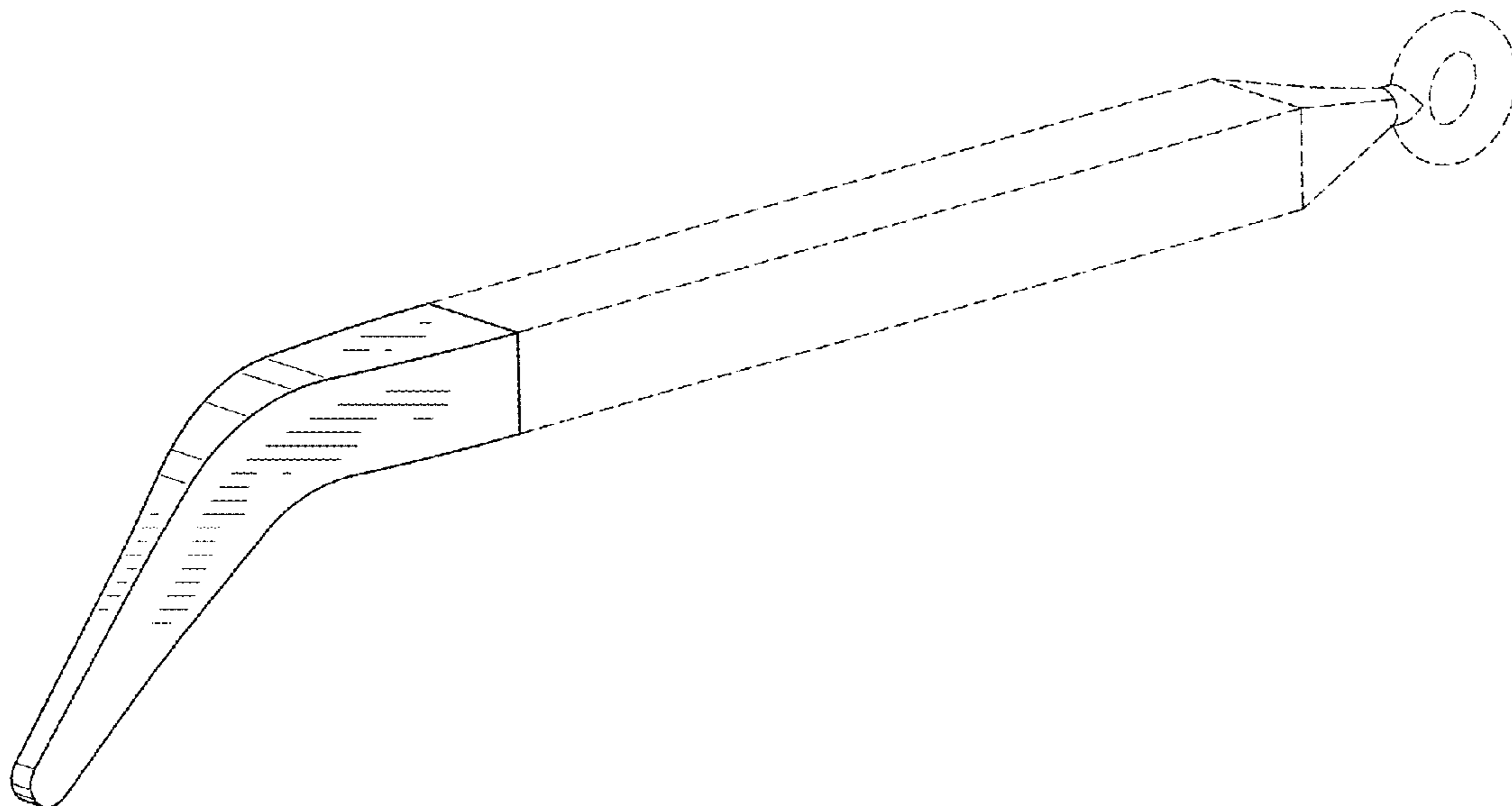
FIG. 4 is a top view of the inoculation loop device with an angled end;

FIG. 5 is an end view of the inoculation loop device with an angled end as viewed from a left-hand side to a right-hand side of the inoculation loop device with an angled end shown in FIG. 2; and,

FIG. 6 is an end view of the inoculation loop device with an angled end as viewed from a right-hand side to a left-hand side of the inoculation loop device with an angled end shown in FIG. 2.

The broken line showing of parts of the drawings is included for the purpose of illustrating use and environment and forms no part of the claimed design.

**1 Claim, 6 Drawing Sheets**



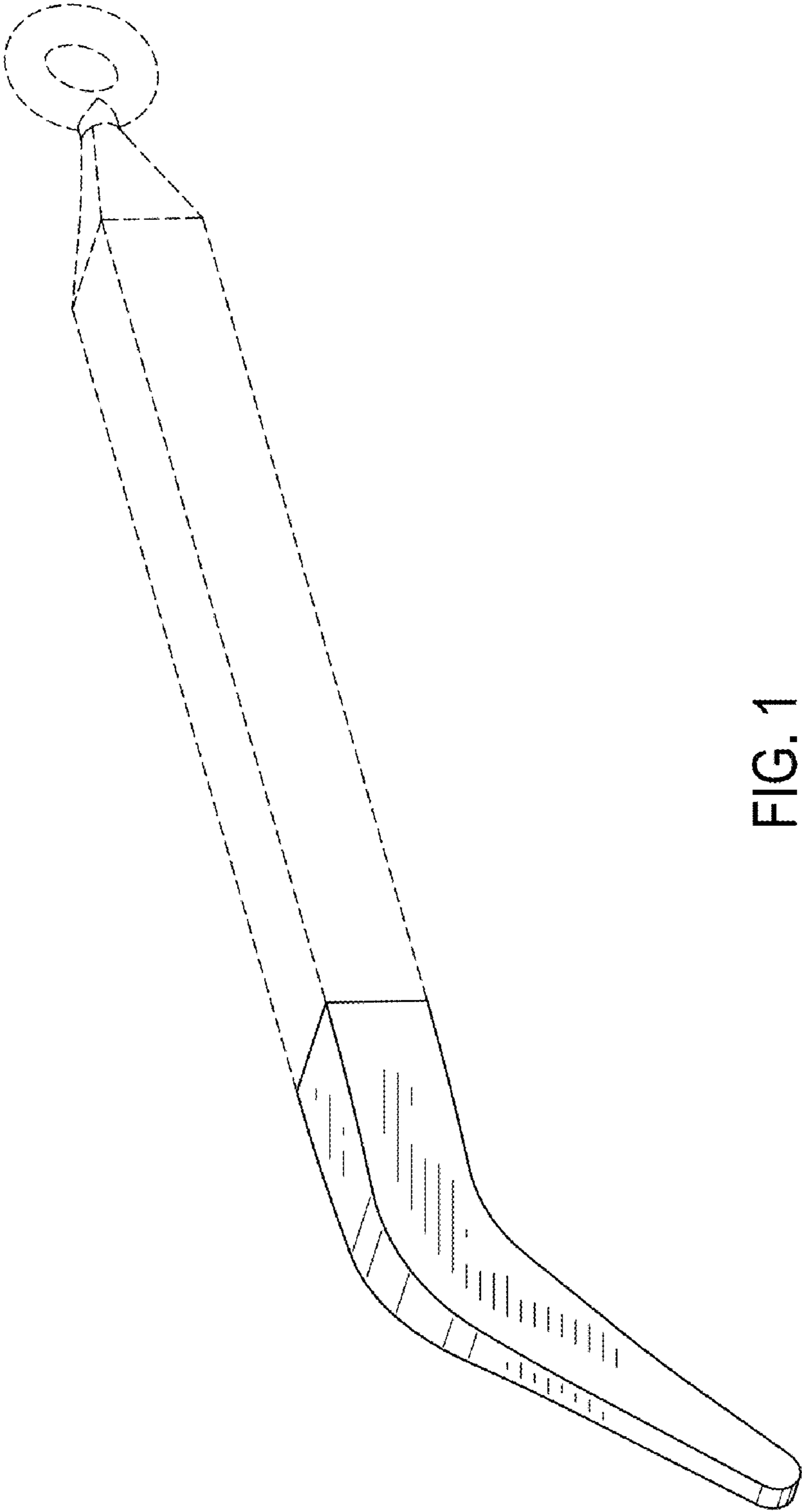


FIG. 1

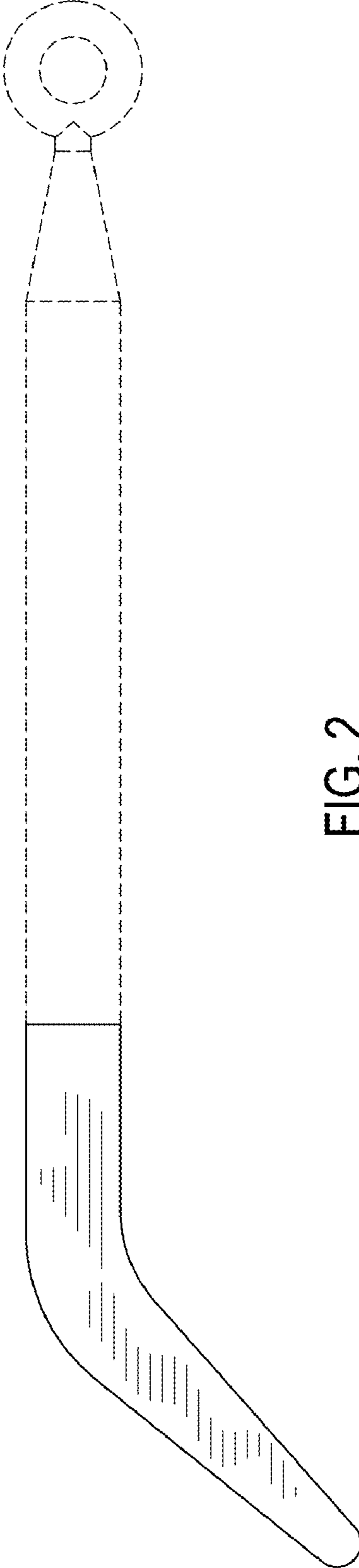


FIG. 2

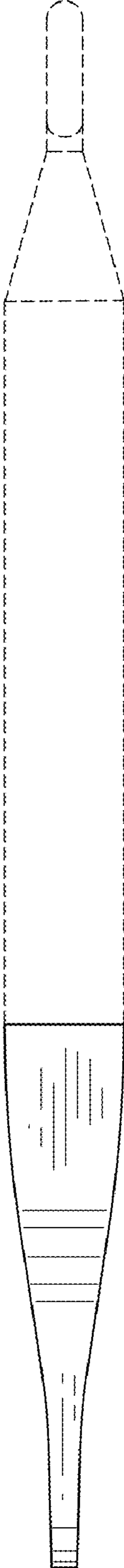


FIG. 3

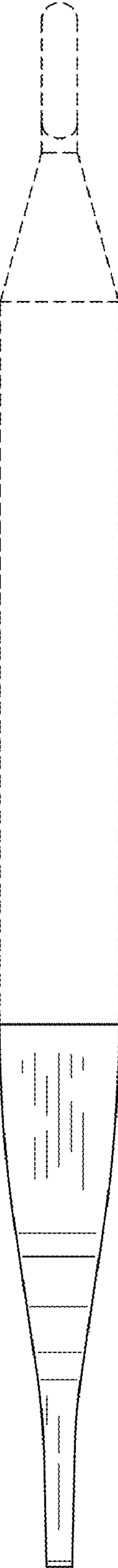


FIG. 4

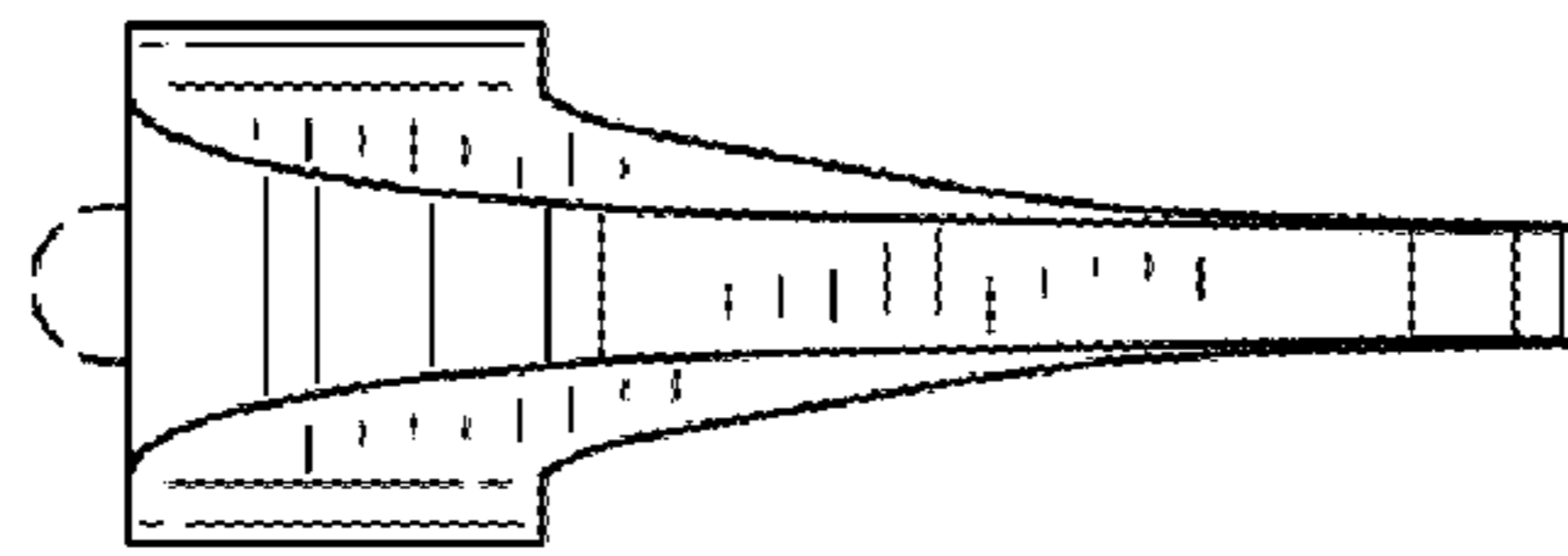


FIG. 5

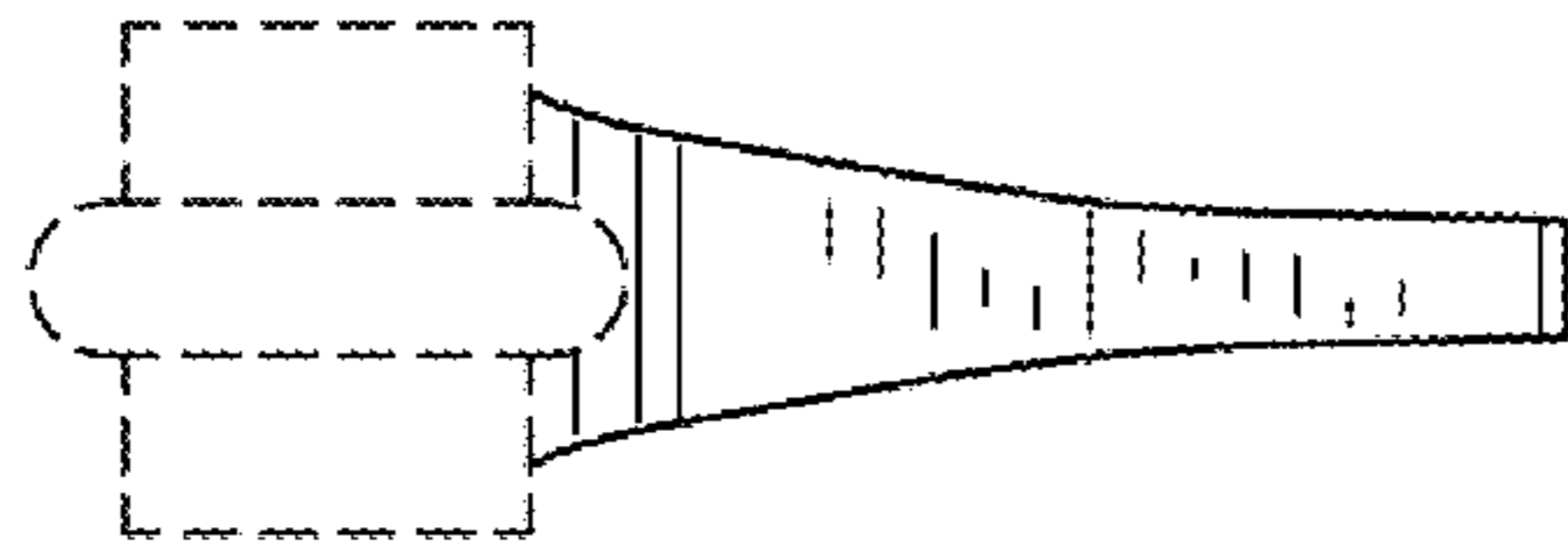


FIG. 6