



US00D678513S

(12) **United States Design Patent**
Baid

(10) **Patent No.:** **US D678,513 S**

(45) **Date of Patent:** **** Mar. 19, 2013**

(54) **SAFETY WINGED BLOOD COLLECTION SET**

(75) Inventor: **Rishi Baid**, New Delhi (IN)

(73) Assignee: **Poly Medicure Limited**, Faridabad, Haryana (IN)

(**) Term: **14 Years**

(21) Appl. No.: **29/407,801**

(22) Filed: **Dec. 2, 2011**

(30) **Foreign Application Priority Data**

Jun. 3, 2011 (IN) 237078

(51) **LOC (9) Cl.** **24-02**

(52) **U.S. Cl.** **D24/112**

(58) **Field of Classification Search** D24/112-114, D24/133, 186, 130, 127; 606/181, 185; 604/164.01-164.09, 533, 232, 187, 168.01, 604/192, 19, 48, 93.01, 264, 523, 524, 526, 604/513, 177, 165.04, 162; 600/101, 139, 600/143; 128/200.24, 207.14, 207.15
See application file for complete search history.

(56) **References Cited**

U.S. PATENT DOCUMENTS

4,362,156 A * 12/1982 Feller et al. 604/177
D271,801 S * 12/1983 Preussner D24/113
5,176,662 A * 1/1993 Bartholomew et al. 604/513
5,306,253 A * 4/1994 Brimhall 604/177

D380,543 S * 7/1997 Piontek et al. D24/112
5,879,334 A * 3/1999 Brimhall 604/165.04
7,150,725 B2 * 12/2006 Wilkinson 604/162
D592,302 S * 5/2009 Stokes et al. D24/112
7,527,590 B2 * 5/2009 Suzuki et al. 600/101
7,635,352 B2 * 12/2009 Adams 604/164.08
7,806,869 B2 * 10/2010 Nilsson et al. 604/164.01
D638,930 S * 5/2011 Moehle et al. D24/112
8,057,442 B2 * 11/2011 Dikeman et al. 604/19

* cited by examiner

Primary Examiner — David Muller

(74) *Attorney, Agent, or Firm* — Duane Morris LLP

(57) **CLAIM**

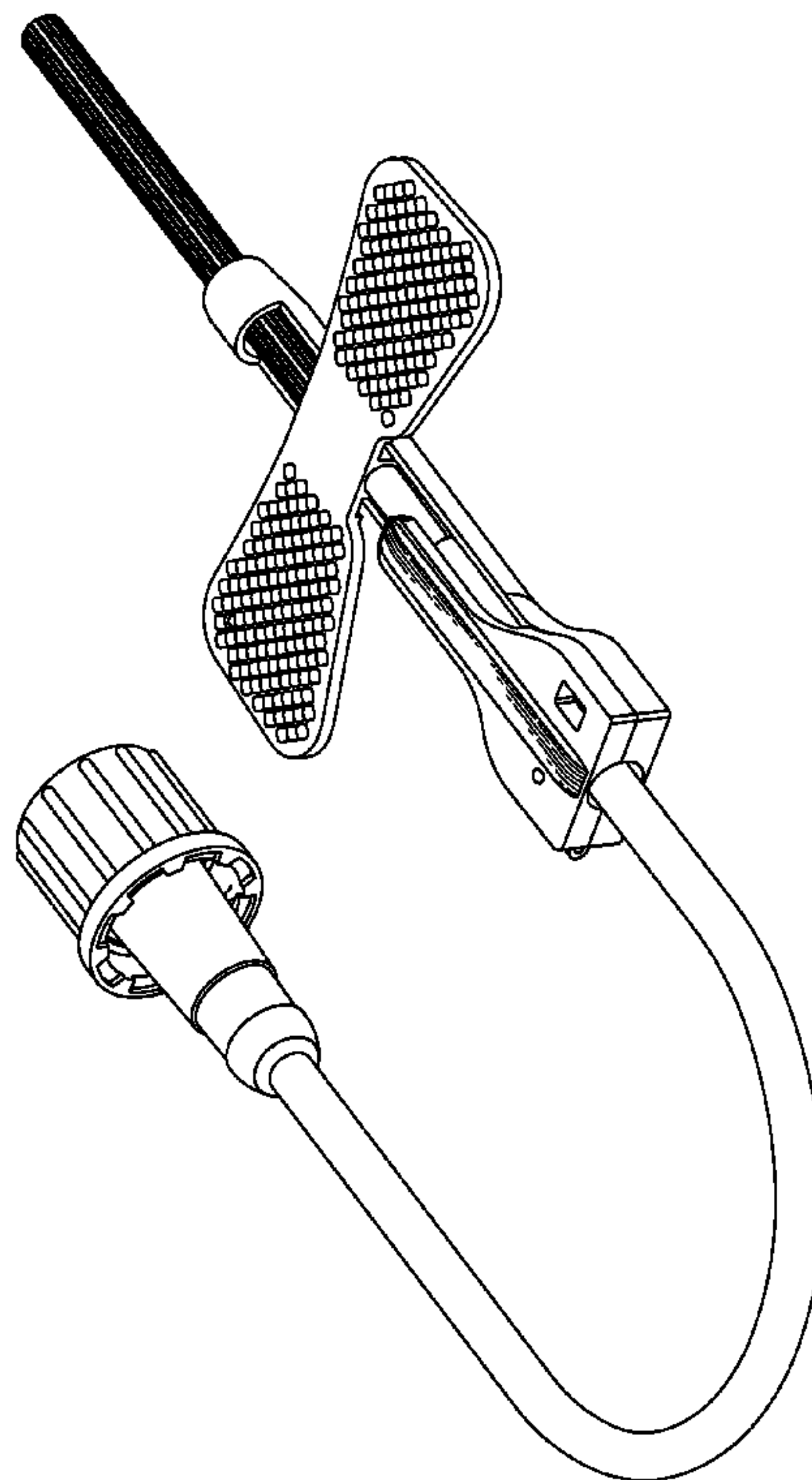
The ornamental design for a safety winged blood collection set, as shown and described.

DESCRIPTION

FIG. 1 is a front elevation view of the safety winged blood collection set;
FIG. 2 is a rear elevation view thereof;
FIG. 3 is a right side elevation view thereof;
FIG. 4 is a left side elevation view thereof;
FIG. 5 is a front perspective view thereof;
FIG. 6 is a rear perspective view thereof;
FIG. 7 is a top plan view thereof; and,
FIG. 8 is a bottom plan view thereof.

The features shown in broken lines depict environmental structure only and form no part of the claimed design.

1 Claim, 8 Drawing Sheets



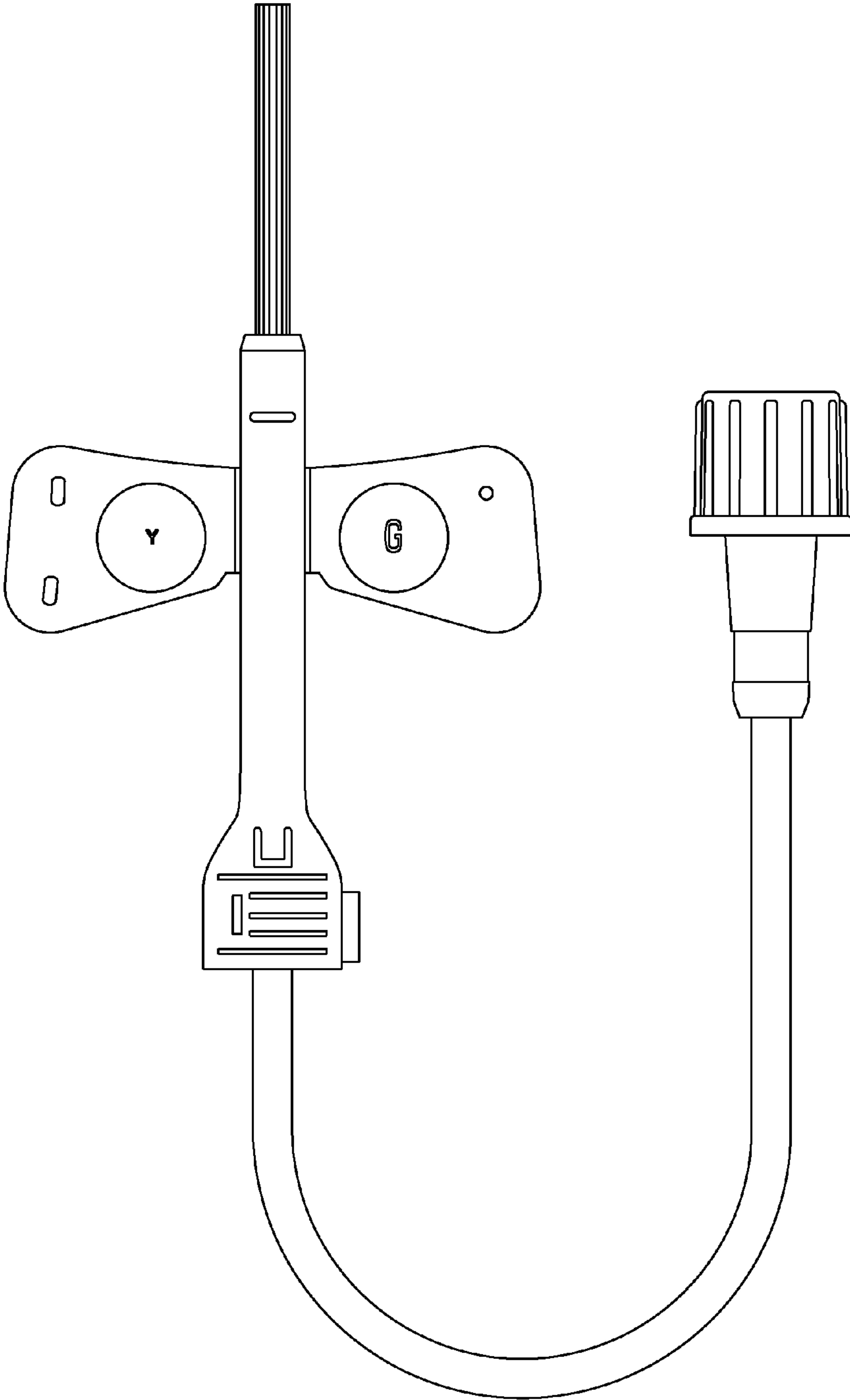


FIG. 1

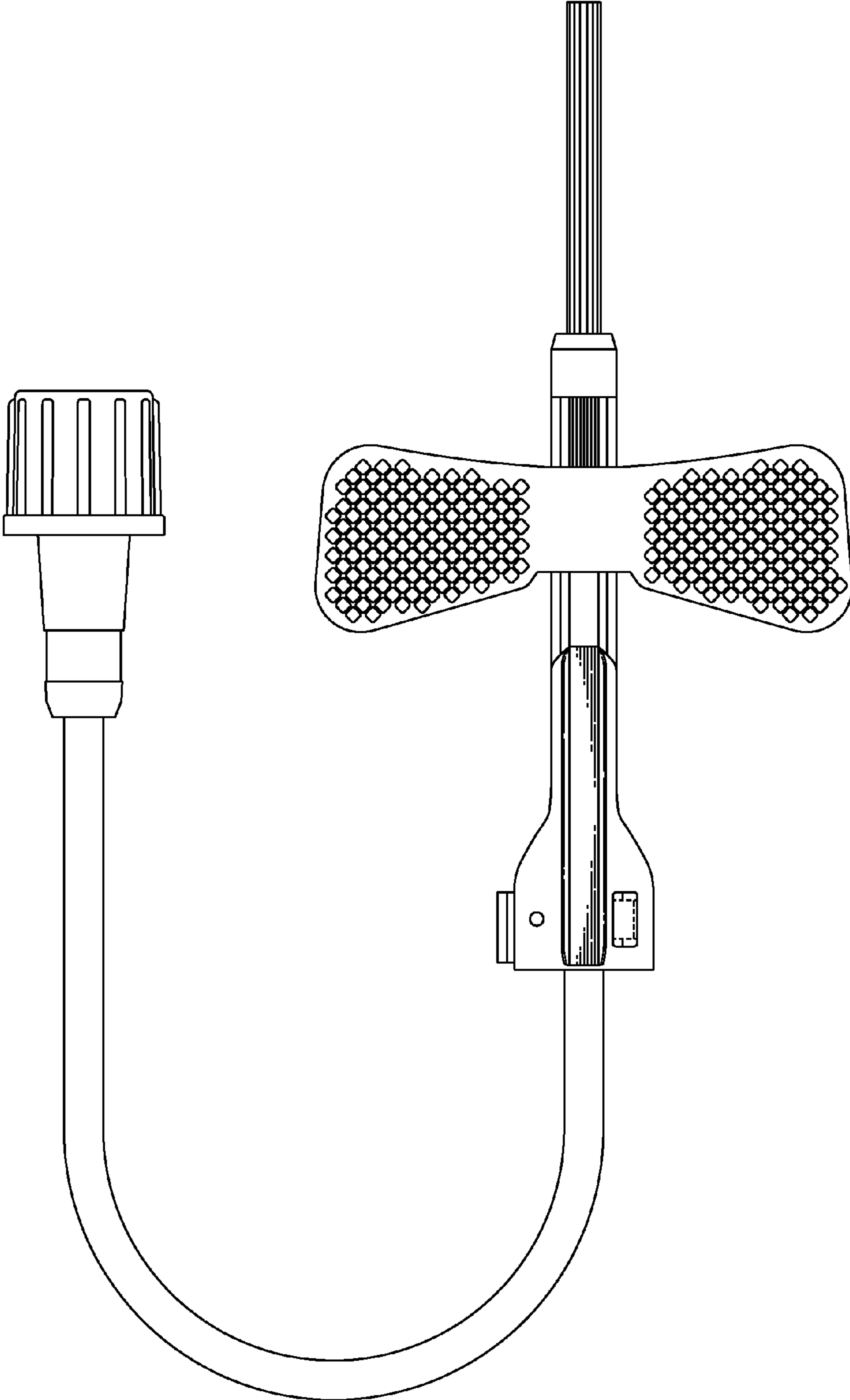


FIG. 2

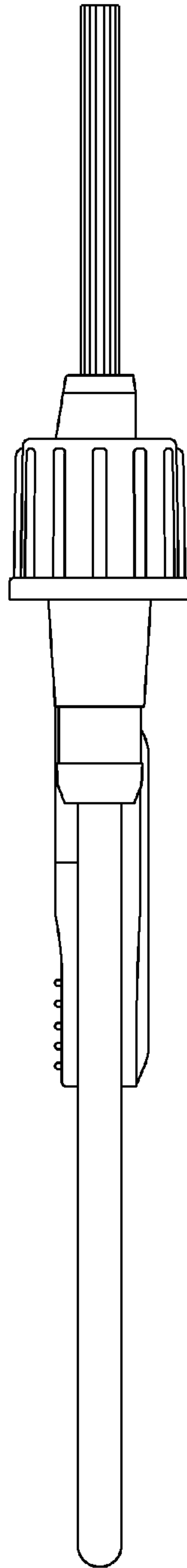


FIG. 3

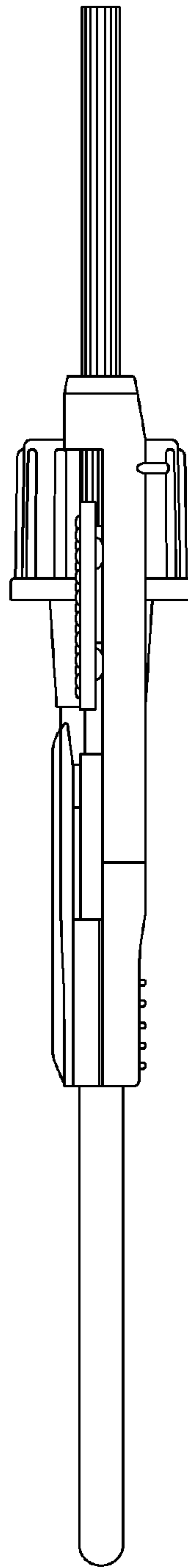


FIG. 4

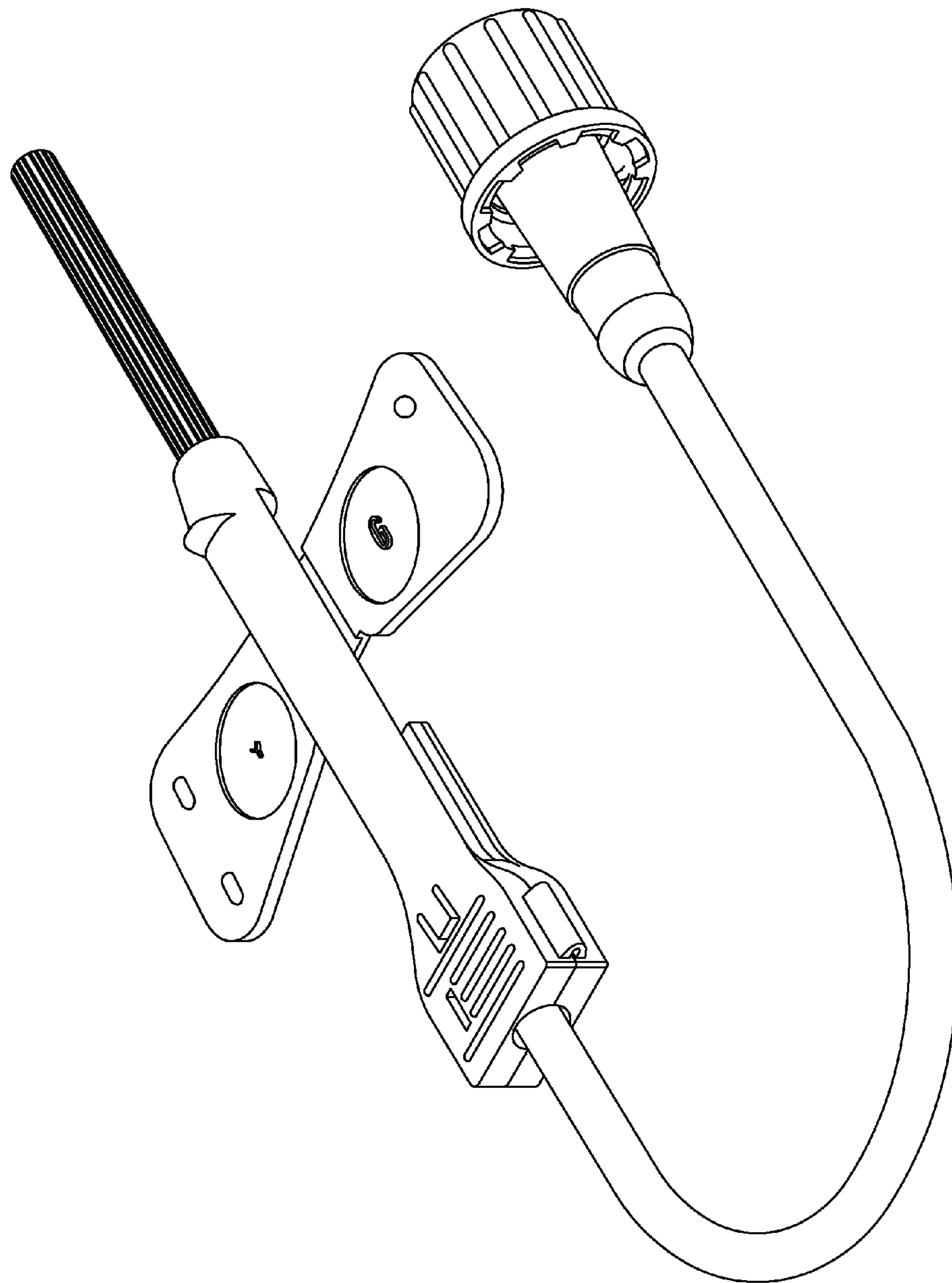


FIG. 5

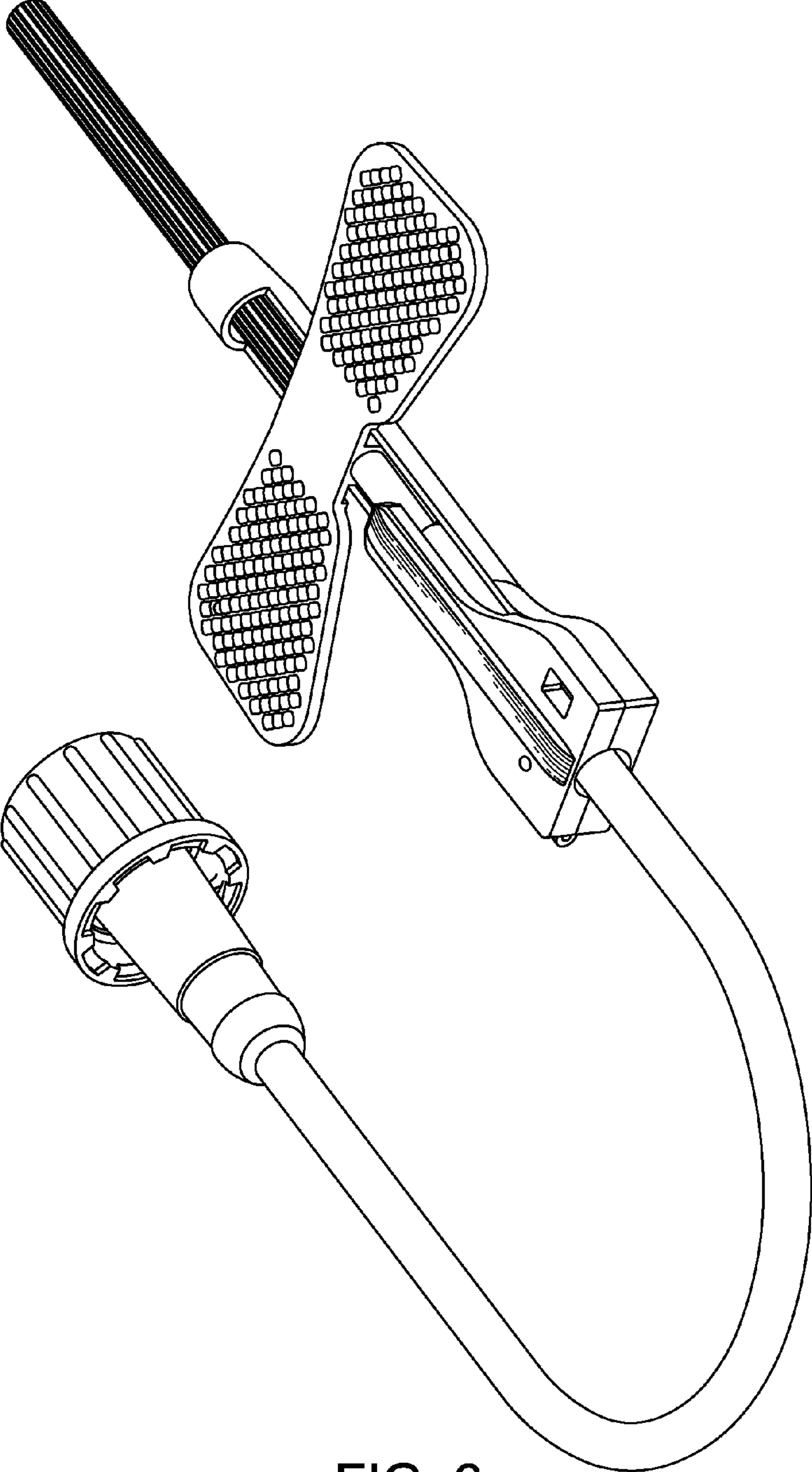


FIG. 6

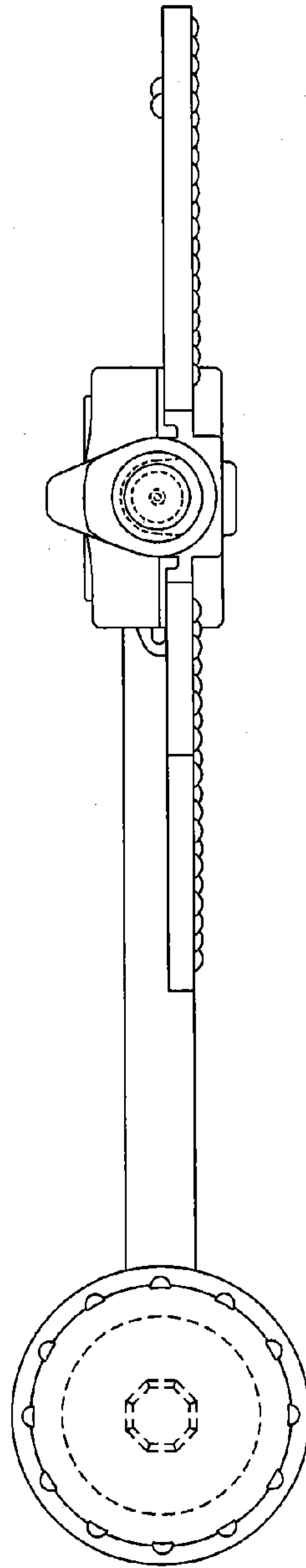


FIG. 7

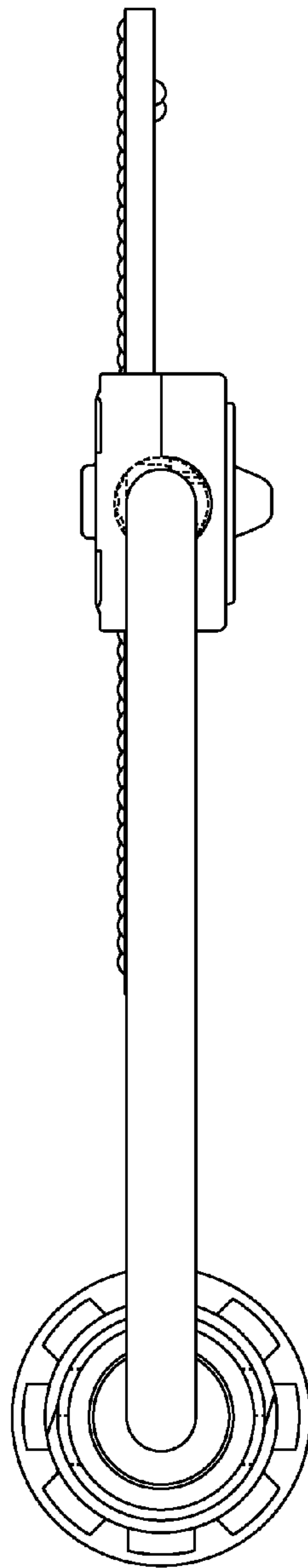


FIG. 8