

US00D678512S

(12) **United States Design Patent**  
**Bow**

(10) **Patent No.:** **US D678,512 S**

(45) **Date of Patent:** **\*\* Mar. 19, 2013**

(54) **SUCTION HANDLE**

(75) Inventor: **Clark F. Bow**, Dandridge, TN (US)

(73) Assignee: **Medline Industries, Inc.**, Mundelein, IL (US)

(\*\*) Term: **14 Years**

(21) Appl. No.: **29/402,947**

(22) Filed: **Sep. 29, 2011**

(51) **LOC (9) Cl.** ..... **24-02**

(52) **U.S. Cl.** ..... **D24/112**

(58) **Field of Classification Search** ..... D24/111-114,  
D24/133, 186, 130, 127, 108, 146, 147, 129,  
D24/138, 176; 606/181, 185; 604/30, 34,  
604/35, 39, 119, 161, 500, 902, 264; 600/101,  
600/139, 143; 128/200.24, 207.14, 207.15;  
433/91

See application file for complete search history.

(56) **References Cited**

**U.S. PATENT DOCUMENTS**

D326,714	S *	6/1992	Funakoshi et al. ....	D24/138
D351,652	S *	10/1994	Thompson et al. ....	D24/138
D357,064	S *	4/1995	Bartlett et al. ....	D24/111
5,984,907	A *	11/1999	McGee et al. ....	604/264
6,129,547	A	10/2000	Cise et al.	
6,500,142	B1	12/2002	Harreld et al.	
6,588,427	B1	7/2003	Carlsen et al.	
D498,846	S *	11/2004	Hayamizu et al. ....	D24/138
D518,573	S *	4/2006	French .....	D24/129
D564,093	S *	3/2008	Marchand et al. ....	D24/133
D571,458	S	6/2008	Kataoka et al.	
D576,725	S *	9/2008	Shumer et al. ....	D24/133
D581,052	S *	11/2008	Root et al. ....	D24/138
D585,993	S *	2/2009	Kousuge .....	D24/186
7,625,207	B2	12/2009	Hershey et al.	
D630,728	S *	1/2011	Dombrowski et al. ....	D24/111

7,866,477	B2	1/2011	Sturm et al.	
7,867,190	B2	1/2011	Ponsi	
D632,783	S *	2/2011	Maesarapu .....	D24/129
D653,329	S *	1/2012	Lee-Sepsick .....	D24/112
2011/0098644	A1	4/2011	Ponsi	

**FOREIGN PATENT DOCUMENTS**

WO 2008/075241 A2 6/2008

**OTHER PUBLICATIONS**

Kimberly-Clark\* KimVent\* Oral Care q4 Kit & Individual Componets/Packs, Kimberly Clark, 2008, 6 pages.  
Suzanne M. Pear, "VAP Prevention: Critical Techniques and Tools." Healthcare Purchasing News, May 2008, pp. 40-41.

\* cited by examiner

*Primary Examiner* — David Muller

(74) *Attorney, Agent, or Firm* — Fitch Even Tabin & Flannery LLP

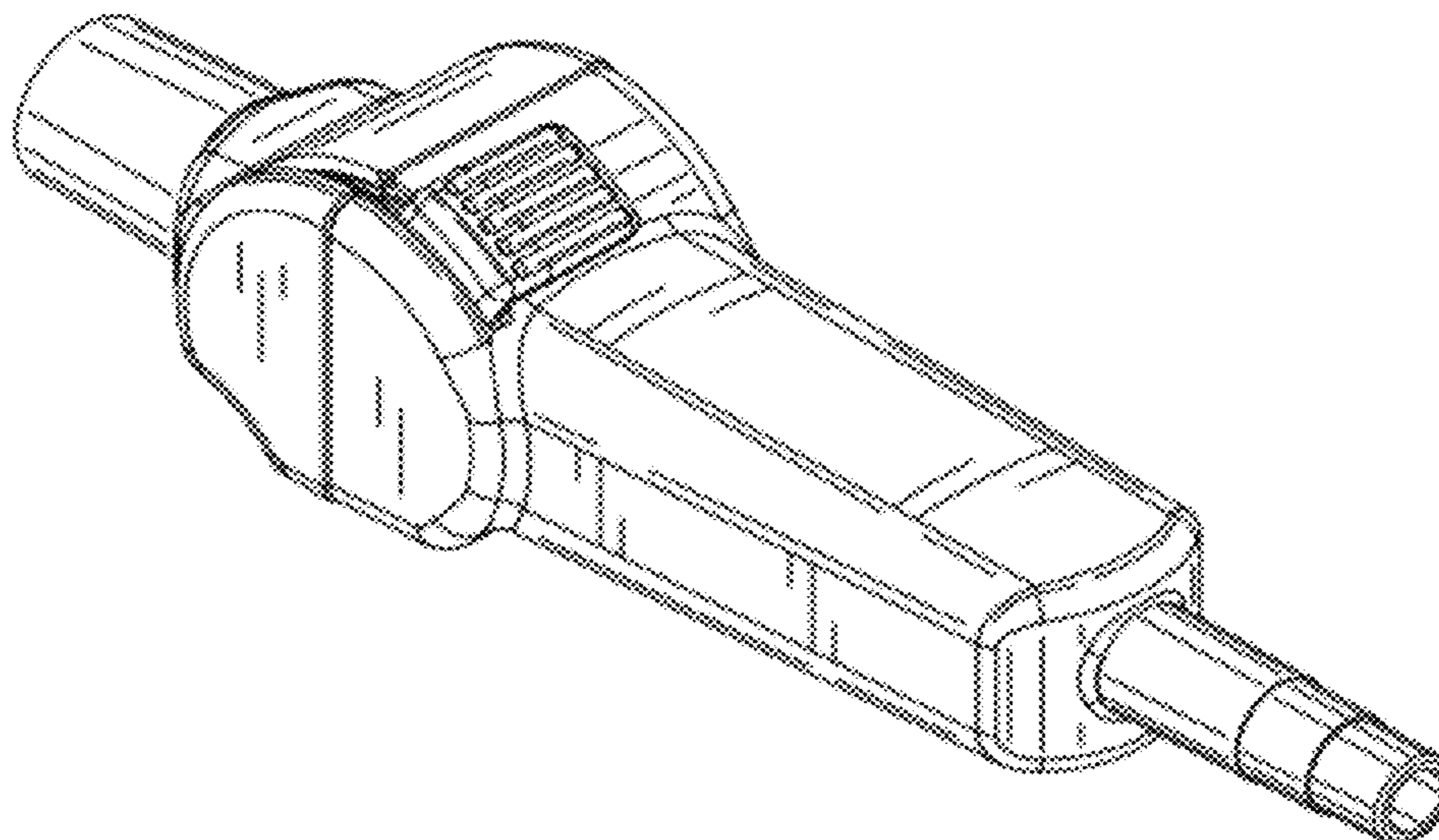
(57) **CLAIM**

I claim the ornamental design for a suction handle, as shown and described.

**DESCRIPTION**

FIG. 1 is a perspective view of an ornamental design for a suction handle;  
FIG. 2 is a second perspective view thereof;  
FIG. 3 is a top plan view thereof;  
FIG. 4 is a bottom plan view thereof;  
FIG. 5 is a right side elevational view thereof;  
FIG. 6 is a left side elevational view thereof;  
FIG. 7 is a rear elevational view thereof; and,  
FIG. 8 is a front elevational view thereof.  
The broken line showing of parts of the drawings is included for the purpose of illustrating use and environment and forms no part of the claimed design.

**1 Claim, 3 Drawing Sheets**



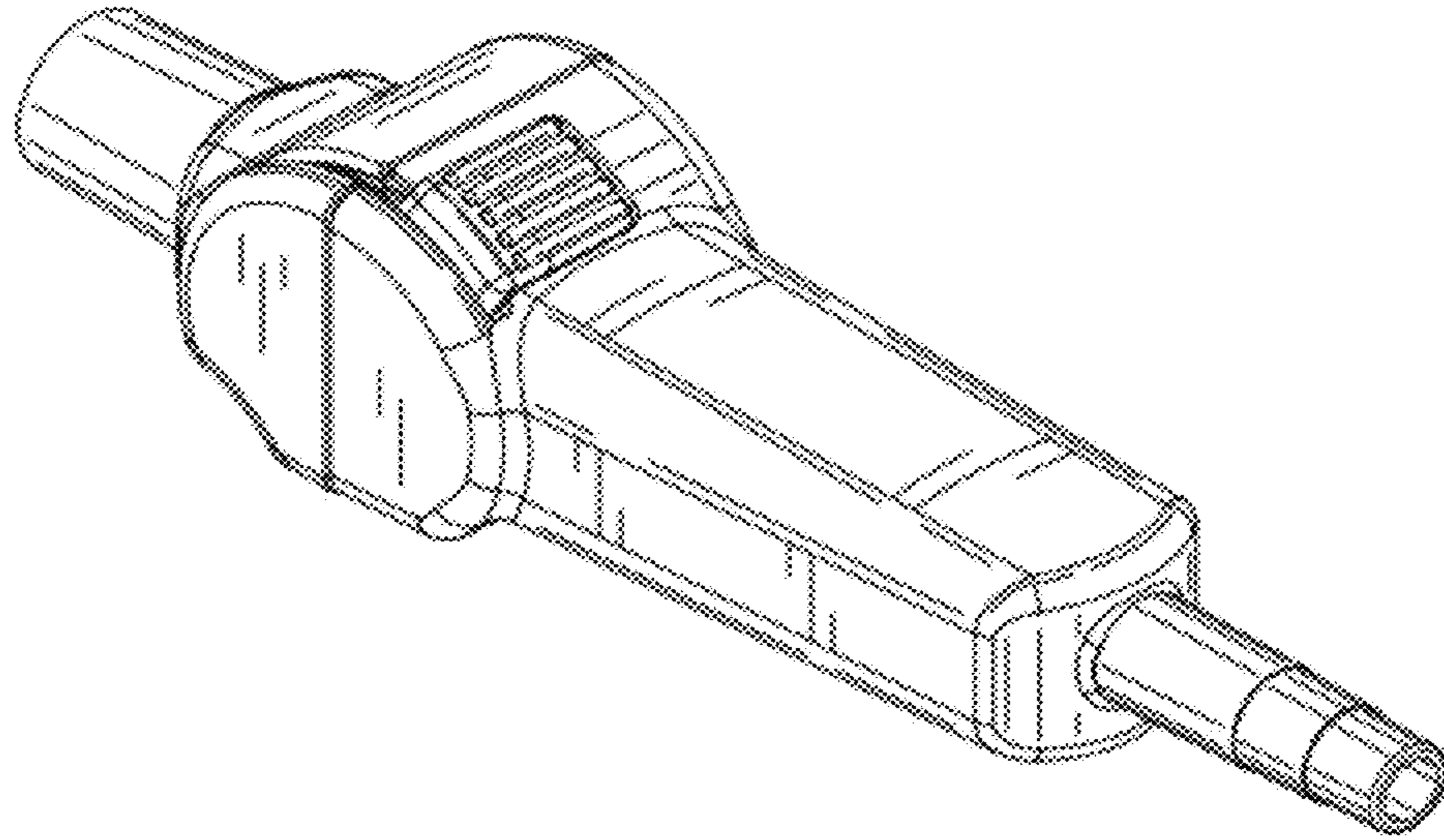


FIG. 1

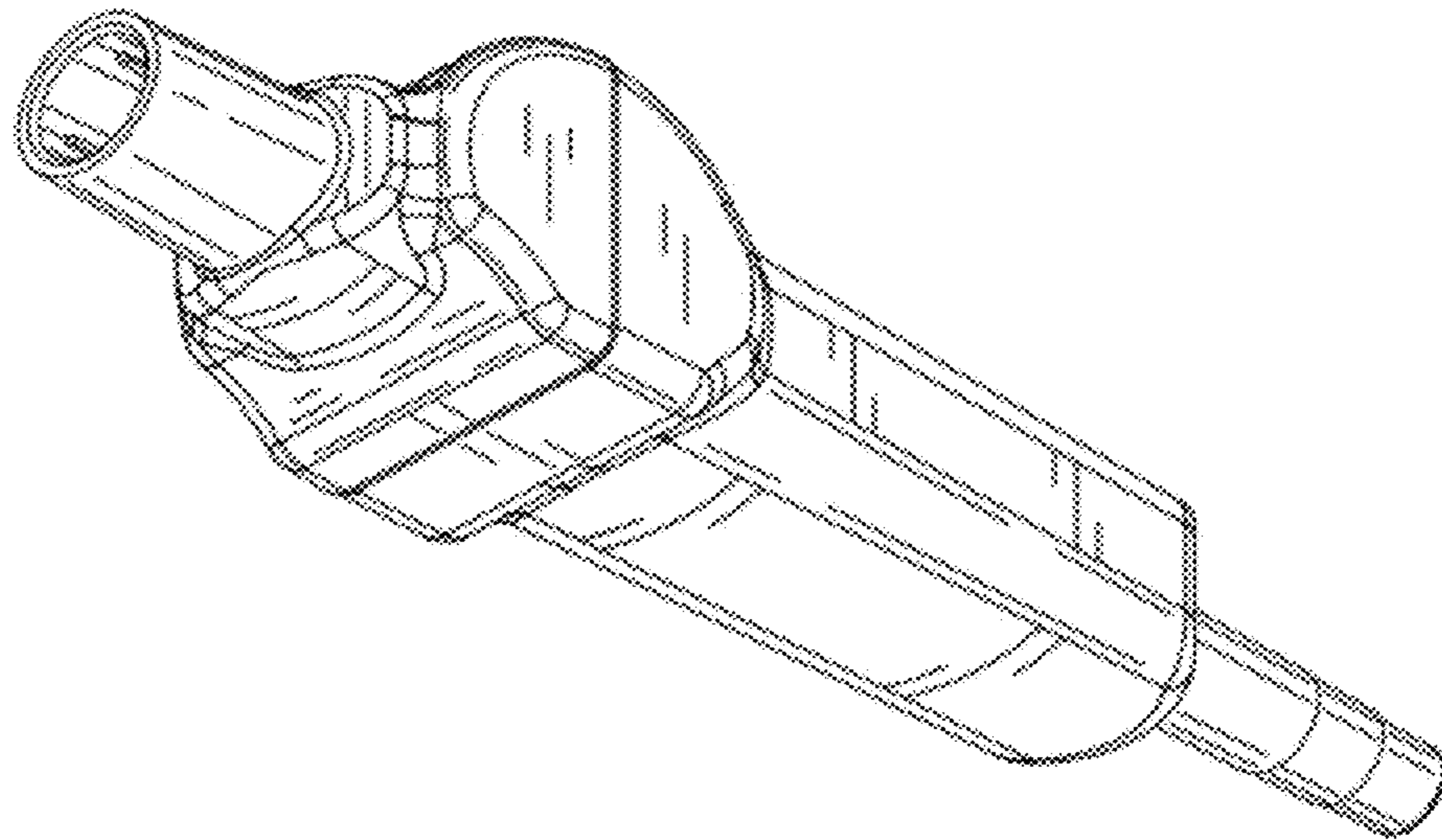


FIG. 2

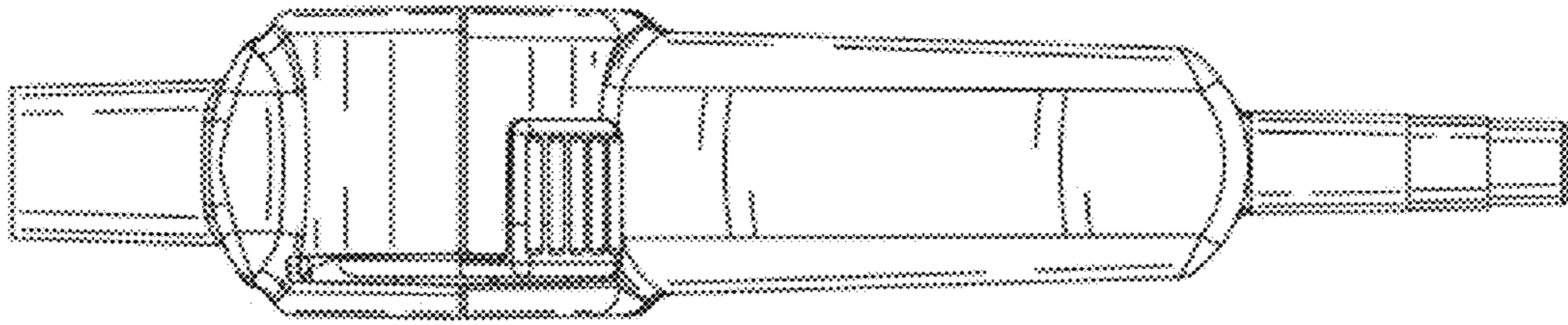


FIG. 3

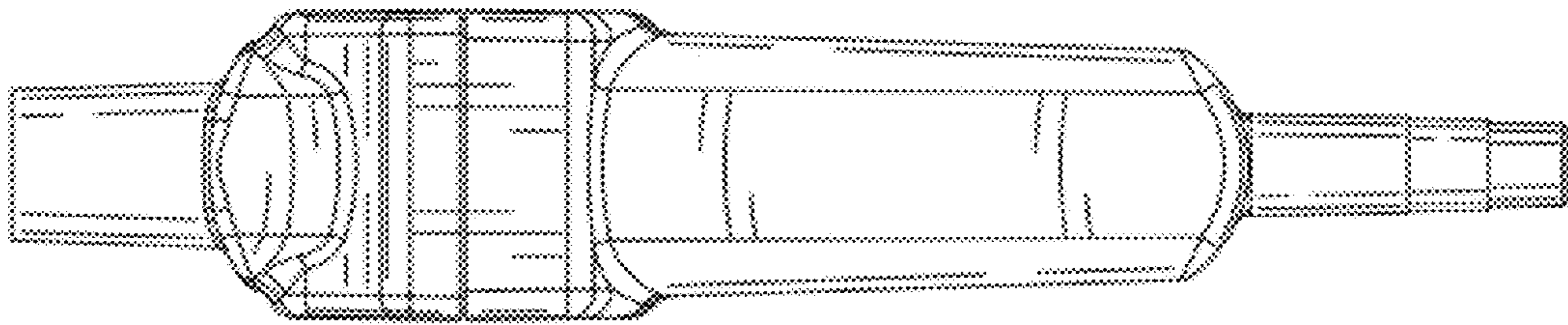


FIG. 4



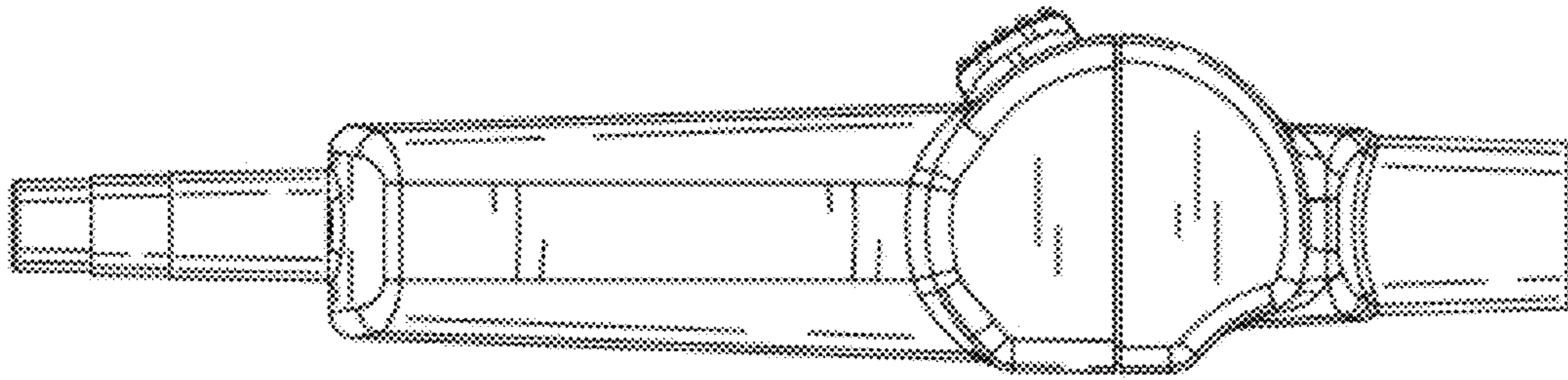


FIG. 5

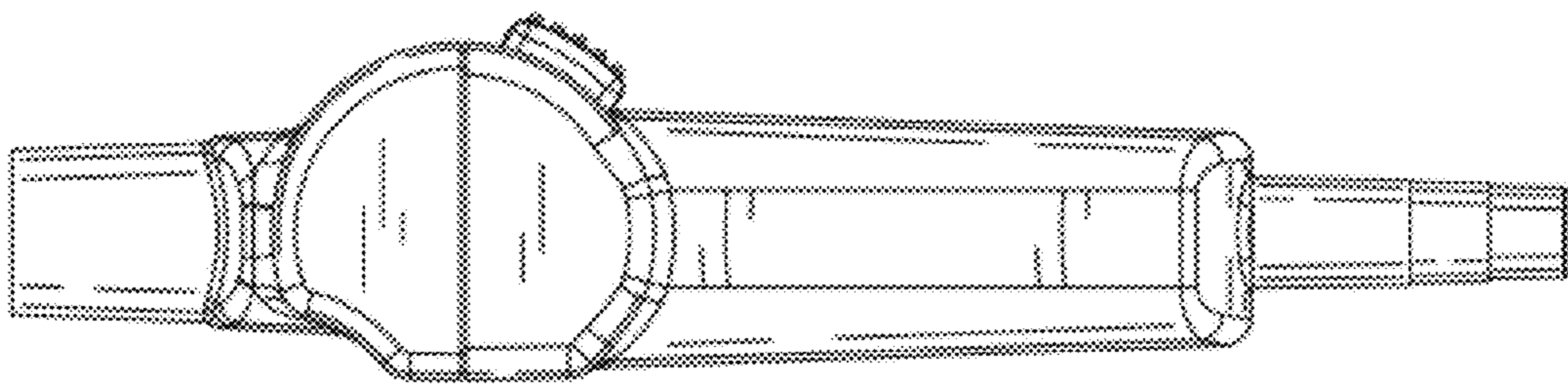


FIG. 6

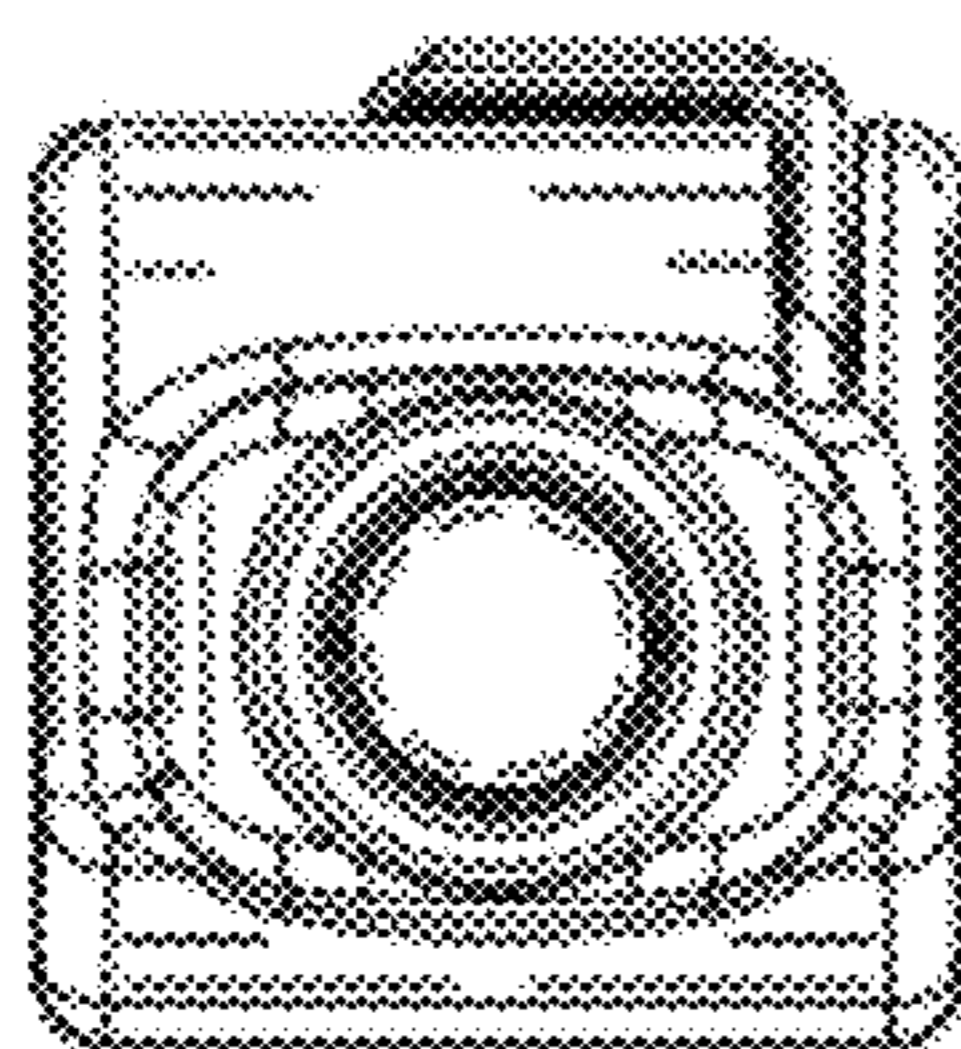


FIG. 7

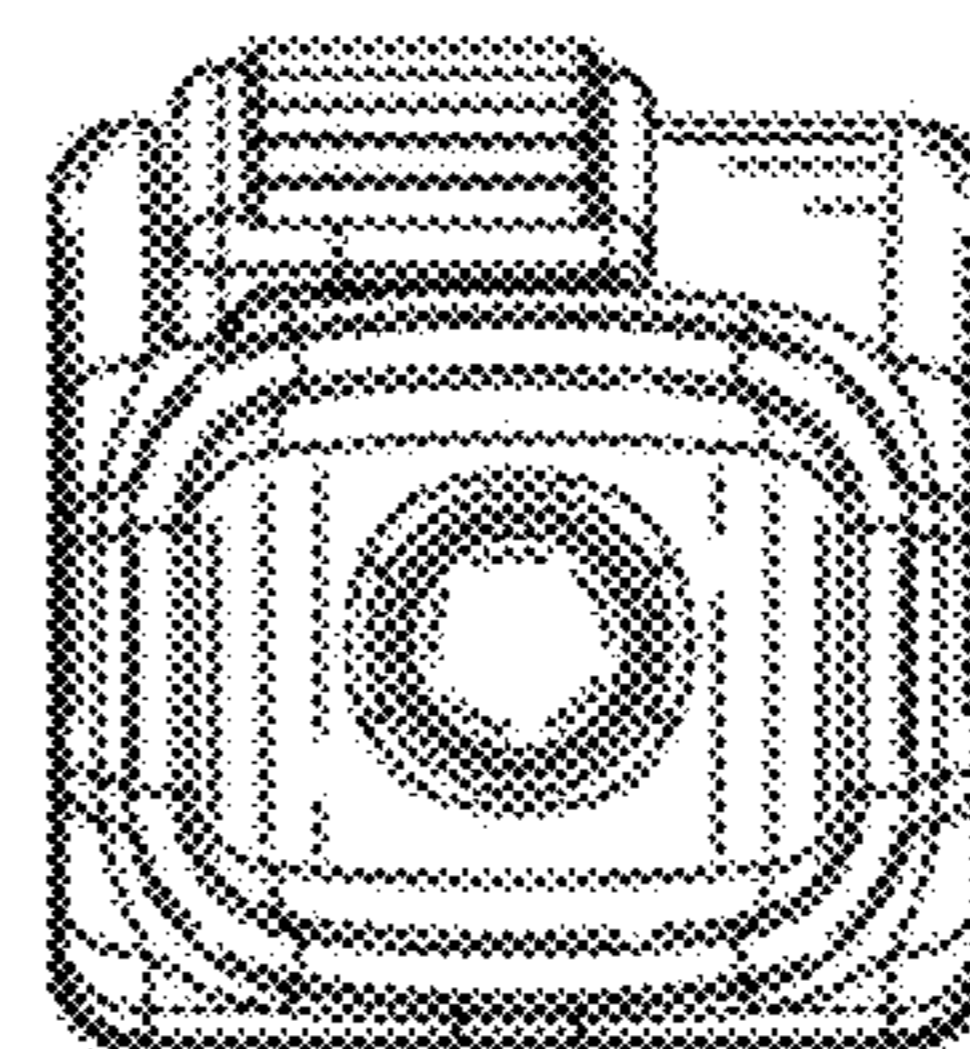


FIG. 8