



US00D678511S

(12) **United States Design Patent**  
**Fojtik**

(10) **Patent No.:** **US D678,511 S**  
(45) **Date of Patent:** **\*\* Mar. 19, 2013**

(54) **RAPID EXCHANGE ASPIRATION CATHETER**  
(75) Inventor: **Shawn P. Fojtik**, Park City, UT (US)  
(73) Assignee: **Control Medical Technology, LLC**, Park City, UT (US)  
(\*\*) Term: **14 Years**  
(21) Appl. No.: **29/375,457**

6,478,775	B1 *	11/2002	Galt et al.	604/158
6,517,518	B2 *	2/2003	Nash et al.	604/164.02
6,692,467	B2 *	2/2004	McFarlane	604/264
6,979,317	B2 *	12/2005	Galt et al.	604/158
D541,936	S *	5/2007	Patterson	D24/130
7,217,263	B2 *	5/2007	Humayun et al.	604/523
D546,450	S *	7/2007	Wolf	D24/130
7,585,290	B2 *	9/2009	Kathrani et al.	604/264
7,651,482	B2 *	1/2010	Harris	604/272
7,736,329	B2 *	6/2010	Dodick	604/264
7,744,569	B2 *	6/2010	Smith	604/167.01
8,002,765	B2 *	8/2011	Lopez	604/244

\* cited by examiner

(22) Filed: **Sep. 22, 2010**  
(51) **LOC (9) Cl.** ..... **24-02**  
(52) **U.S. Cl.** ..... **D24/112**  
(58) **Field of Classification Search** ..... D24/112-114, D24/133, 130, 127; 606/181, 185; 604/164.01-164.09, 533, 232, 187, 168.01, 604/192, 19, 48, 93.01, 264, 523, 52, 4, 526, 604/158, 272, 167.01, 244; 600/101, 139, 600/143; 128/200.24, 207.14, 207.15  
See application file for complete search history.

*Primary Examiner* — David Muller

(74) *Attorney, Agent, or Firm* — Durham Jones & Pinegar Intellectual Property Law Group

(56) **References Cited**

U.S. PATENT DOCUMENTS

3,862,635	A *	1/1975	Harautuneian	128/207.15
D247,975	S *	5/1978	Luther	D24/112
D254,444	S *	3/1980	Levine	D24/112
4,567,882	A *	2/1986	Heller	128/207.14
4,739,756	A *	4/1988	Horn	128/207.14
5,098,388	A *	3/1992	Kulkashi et al.	604/158
5,250,066	A *	10/1993	Lambert	606/181
D357,313	S *	4/1995	Worrich	D24/112
5,484,422	A *	1/1996	Sloane et al.	604/523
5,515,871	A *	5/1996	Bittner et al.	604/264
D372,403	S *	8/1996	Jensen	D24/114
5,968,022	A *	10/1999	Saito	604/264
6,146,354	A *	11/2000	Beil	604/523
D449,687	S *	10/2001	Hommann et al.	D24/130

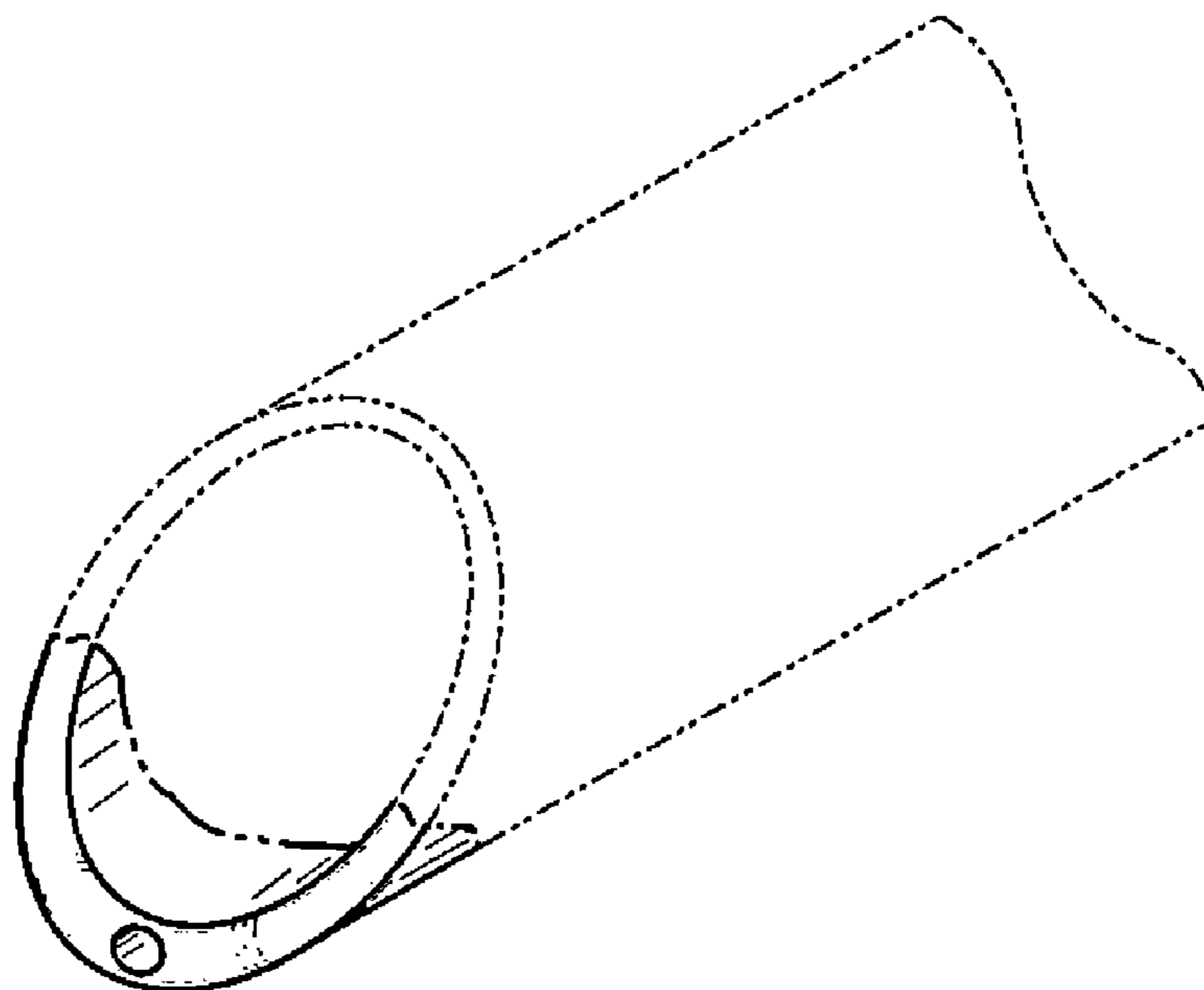
(57) **CLAIM**

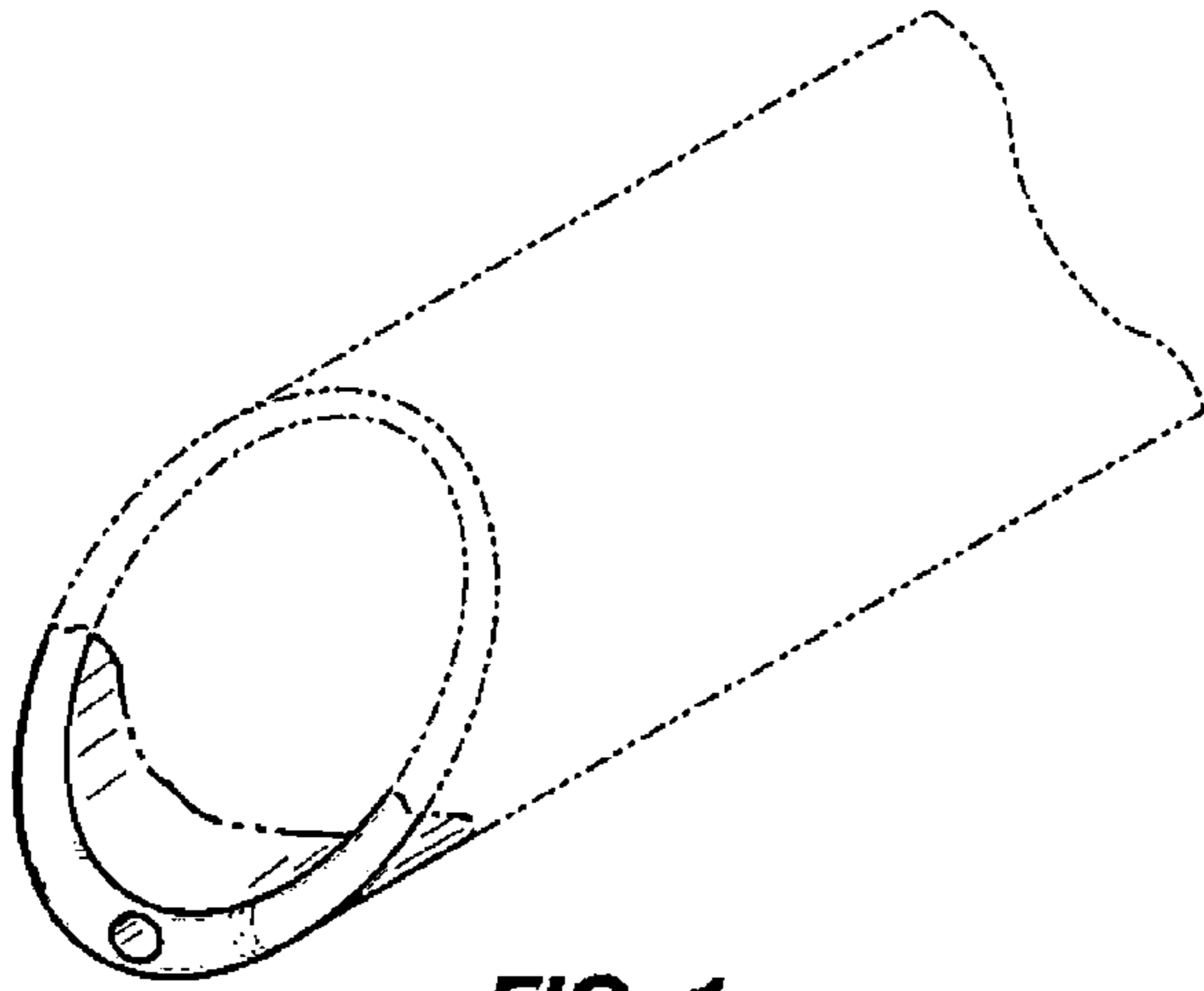
The ornamental design of a rapid exchange aspiration catheter, as shown and described.

**DESCRIPTION**

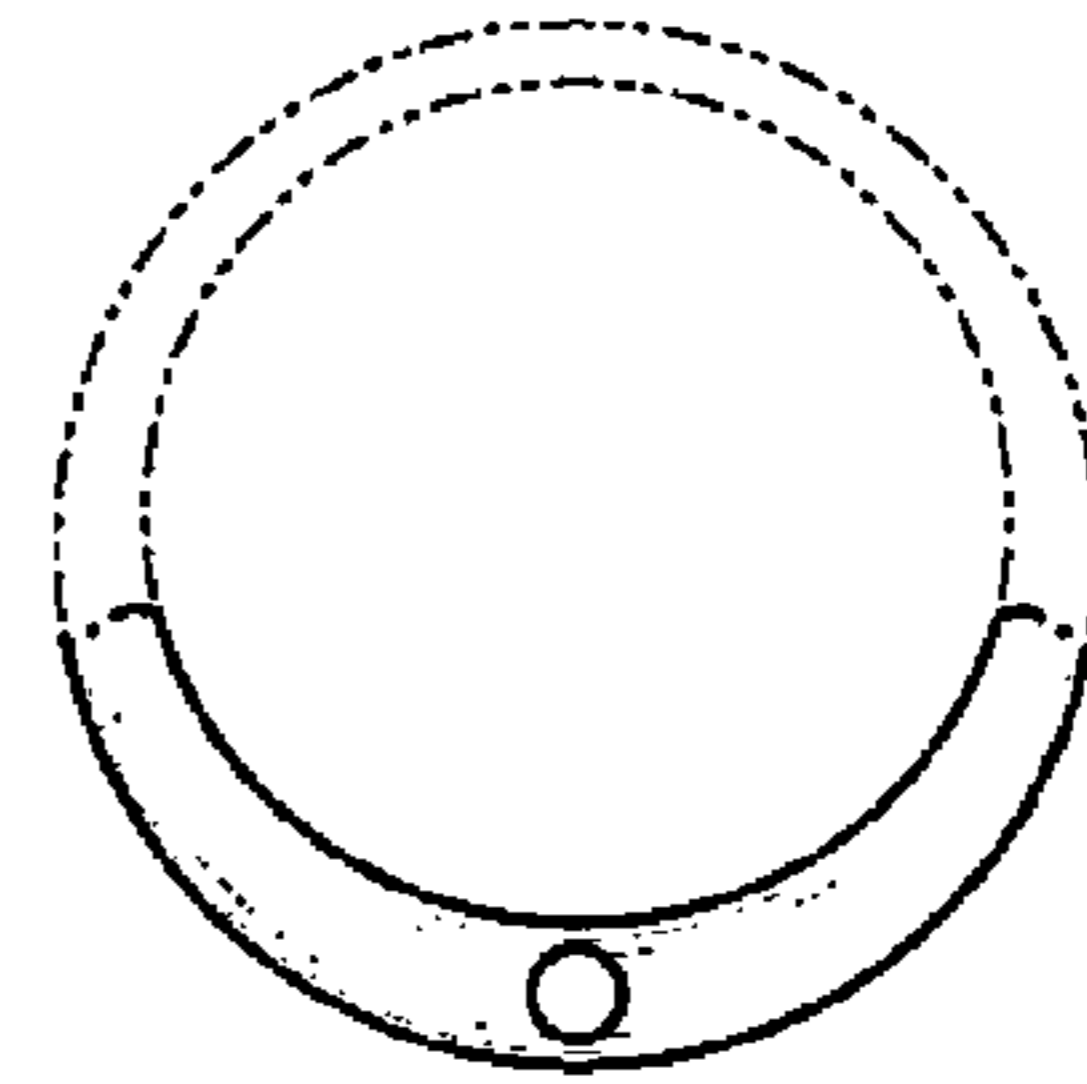
FIG. 1 is frontal perspective view of a design for a rapid exchange aspiration catheter;  
FIG. 2 is a front elevation view thereof;  
FIG. 3 is top plan view thereof;  
FIG. 4 is a bottom plan view thereof; and,  
FIG. 5 is another frontal perspective view of the embodiment of the design for a rapid exchange aspiration catheter shown in FIGS. 1-4, with a wire extending distally from a lumen in a lower portion of a wall of the rapid exchange aspiration catheter.  
Broken lines are included in the drawings merely for the sake of illustrating an embodiment of an environment for the depicted embodiment of the design for a rapid exchange aspiration catheter, and form no part of the claimed design.

**1 Claim, 1 Drawing Sheet**

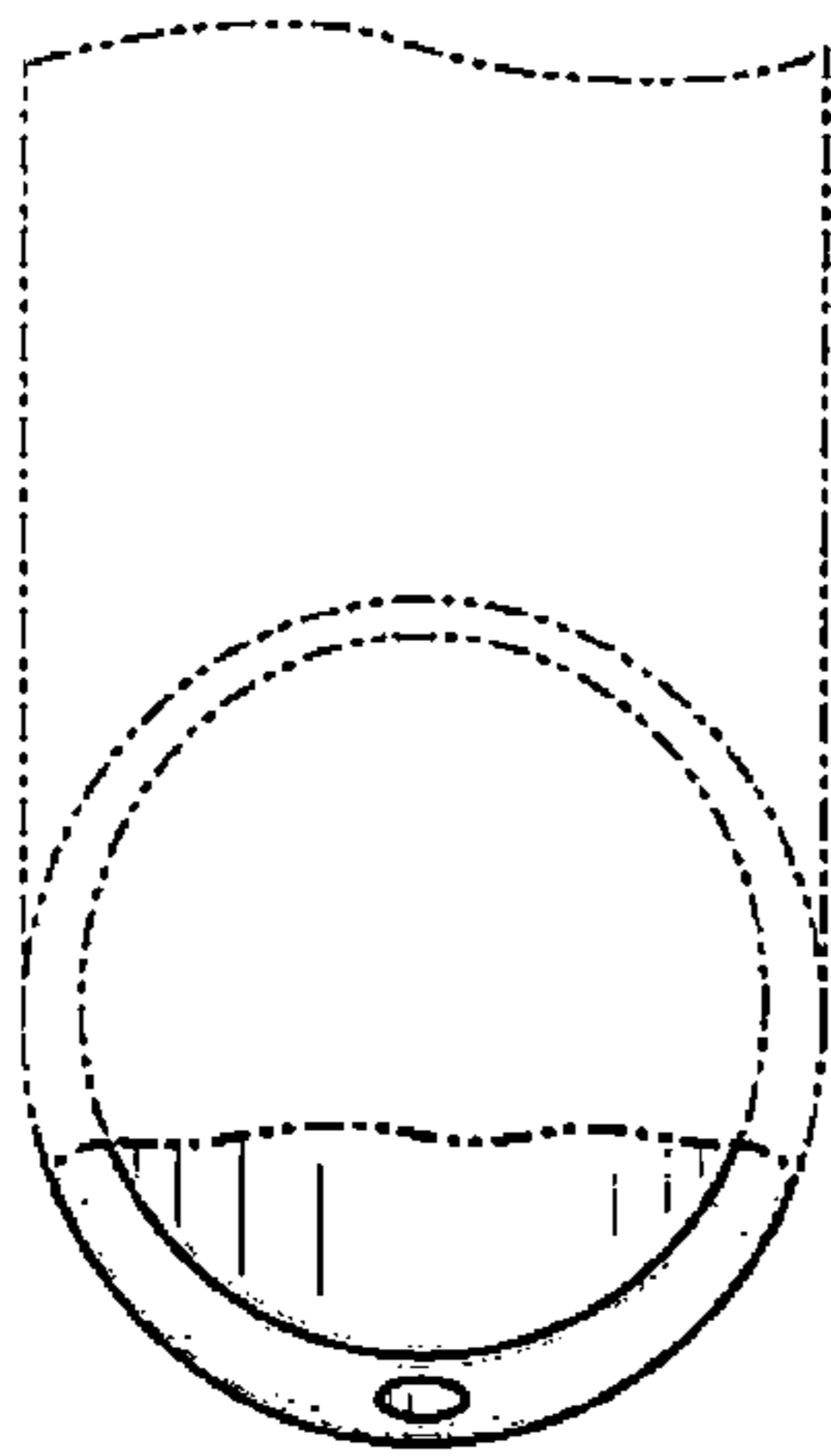




**FIG. 1**



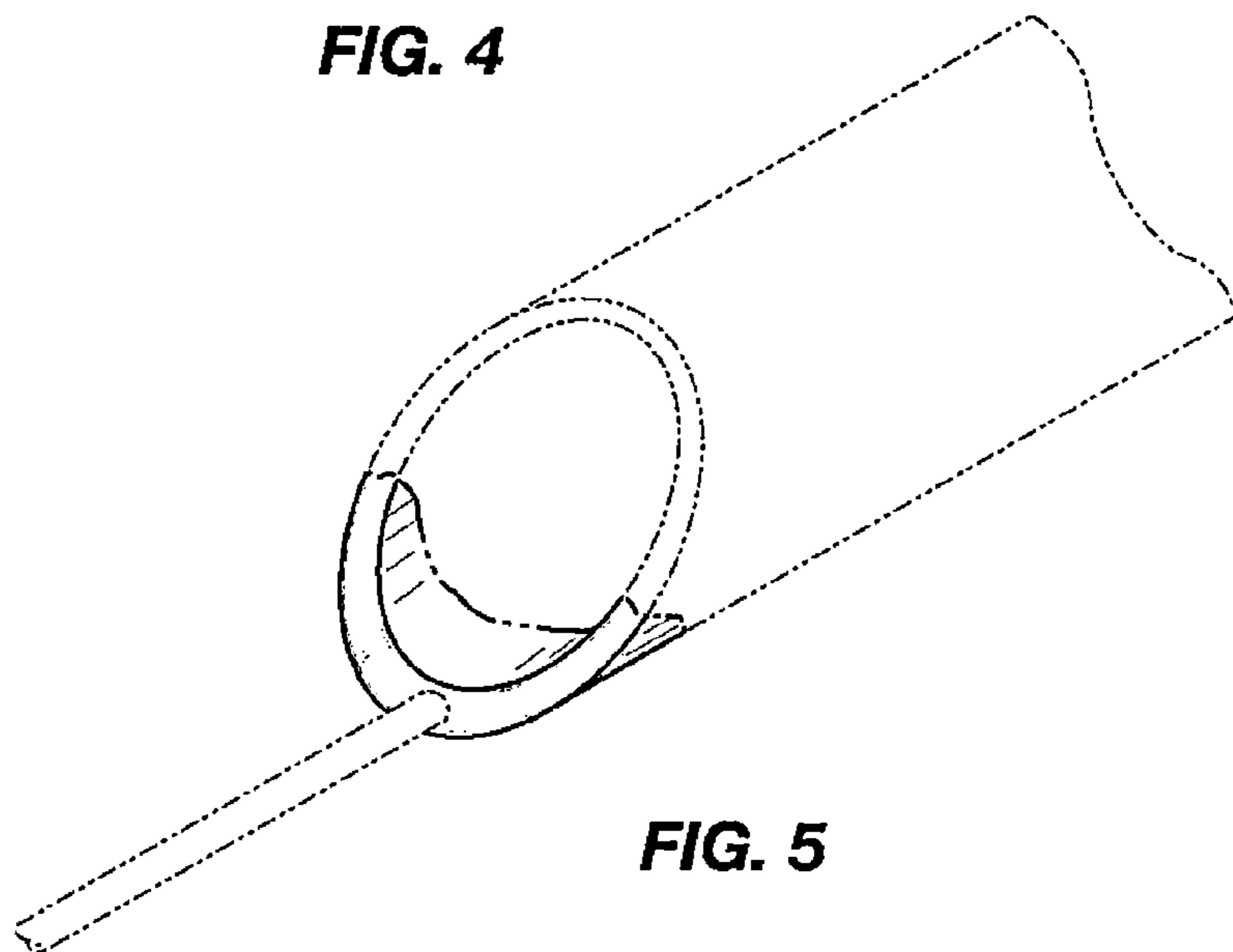
**FIG. 2**



**FIG. 3**



**FIG. 4**



**FIG. 5**