



US00D678510S

(12) **United States Design Patent**  
**Koschany**

(10) **Patent No.:** **US D678,510 S**  
(45) **Date of Patent:** **\*\* Mar. 19, 2013**

(54) **NASAL PRONG**

(75) Inventor: **Angelika Koschany**, Munich (DE)

(73) Assignee: **medin Medical Innovations GmbH**,  
Puchheim (DE)

(\*\*) Term: **14 Years**

(21) Appl. No.: **29/391,506**

(22) Filed: **May 10, 2011**

(30) **Foreign Application Priority Data**

Nov. 11, 2010 (EM) ..... 001244321-001

(51) **LOC (9) Cl.** ..... **29-02**

(52) **U.S. Cl.** ..... **D24/110.5; D24/110**

(58) **Field of Classification Search** ..... D24/110,  
D24/110.5; 128/207.13, 207.18, DIG. 26;  
604/912

See application file for complete search history.

(56) **References Cited**

**U.S. PATENT DOCUMENTS**

2,693,800 A \* 11/1954 Caldwell ..... 128/207.18  
3,643,660 A \* 2/1972 Hudson et al. .... 128/207.18  
D228,692 S \* 10/1973 King ..... D24/110

D237,219 S \* 10/1975 Kattwinkel et al. .... D24/110.5  
4,790,308 A \* 12/1988 Weichselbaum ..... 128/207.18  
D300,962 S \* 5/1989 Johnson ..... D24/110  
5,682,881 A \* 11/1997 Winthrop et al. .... 128/207.18  
6,439,234 B1 \* 8/2002 Curti et al. .... 128/207.18  
7,559,327 B2 \* 7/2009 Hernandez ..... 128/207.18  
2007/0107737 A1 \* 5/2007 Landis et al. .... 128/207.18

\* cited by examiner

*Primary Examiner* — Ian Simmons

*Assistant Examiner* — Richelle Shelton

(74) *Attorney, Agent, or Firm* — Jenkins, Wilson, Taylor &  
Hunt, P.A.

(57) **CLAIM**

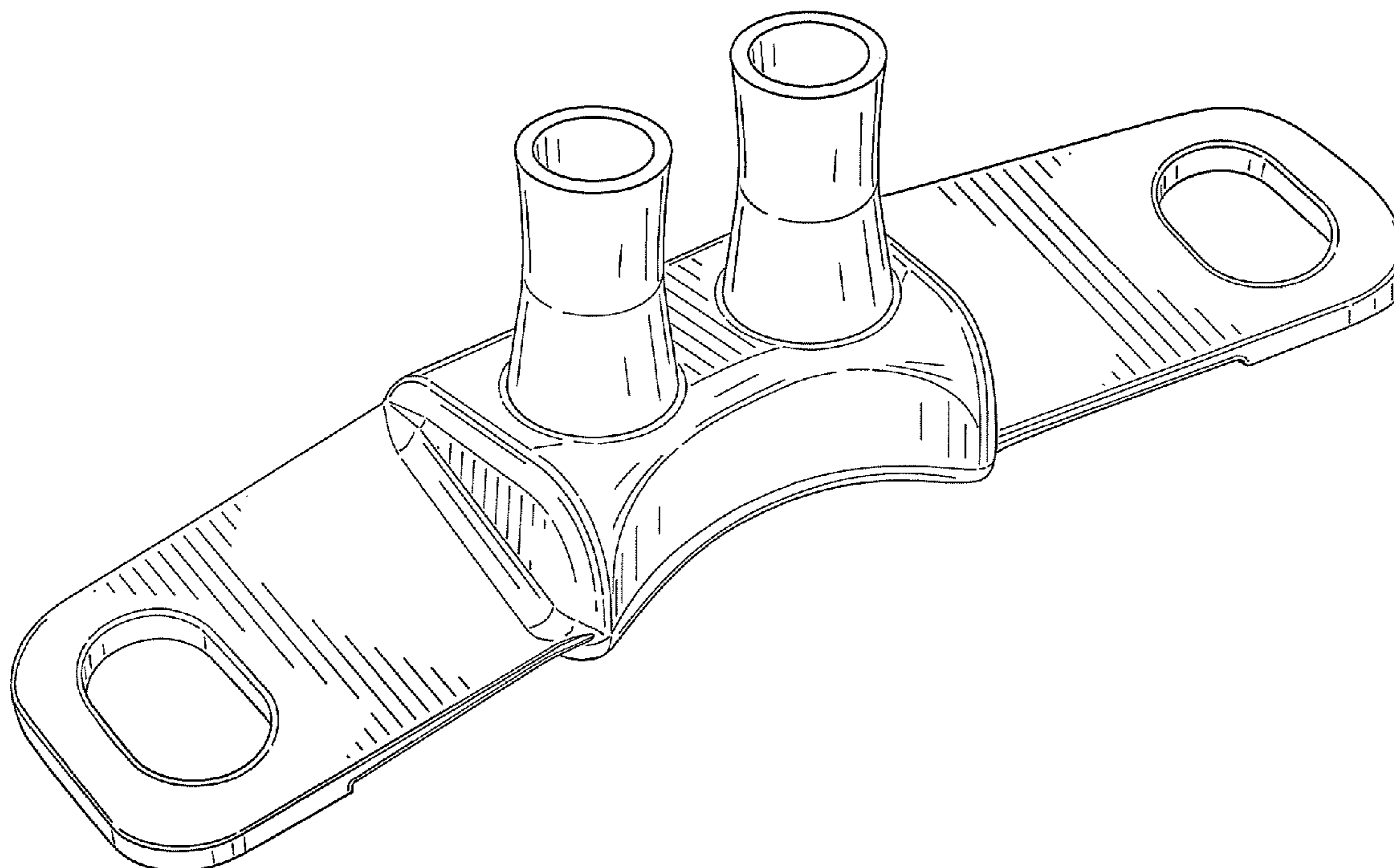
The ornamental design for a nasal prong, as shown and  
described.

**DESCRIPTION**

FIG. 1 is a perspective view thereof;  
FIG. 2 is a rear view thereof;  
FIG. 3 is a front view thereof;  
FIG. 4 is a top view thereof;  
FIG. 5 is a bottom view thereof;  
FIG. 6 is a right view thereof; and,  
FIG. 7 is a left view thereof.

The illustrated design is not limited to the scale shown.

**1 Claim, 6 Drawing Sheets**



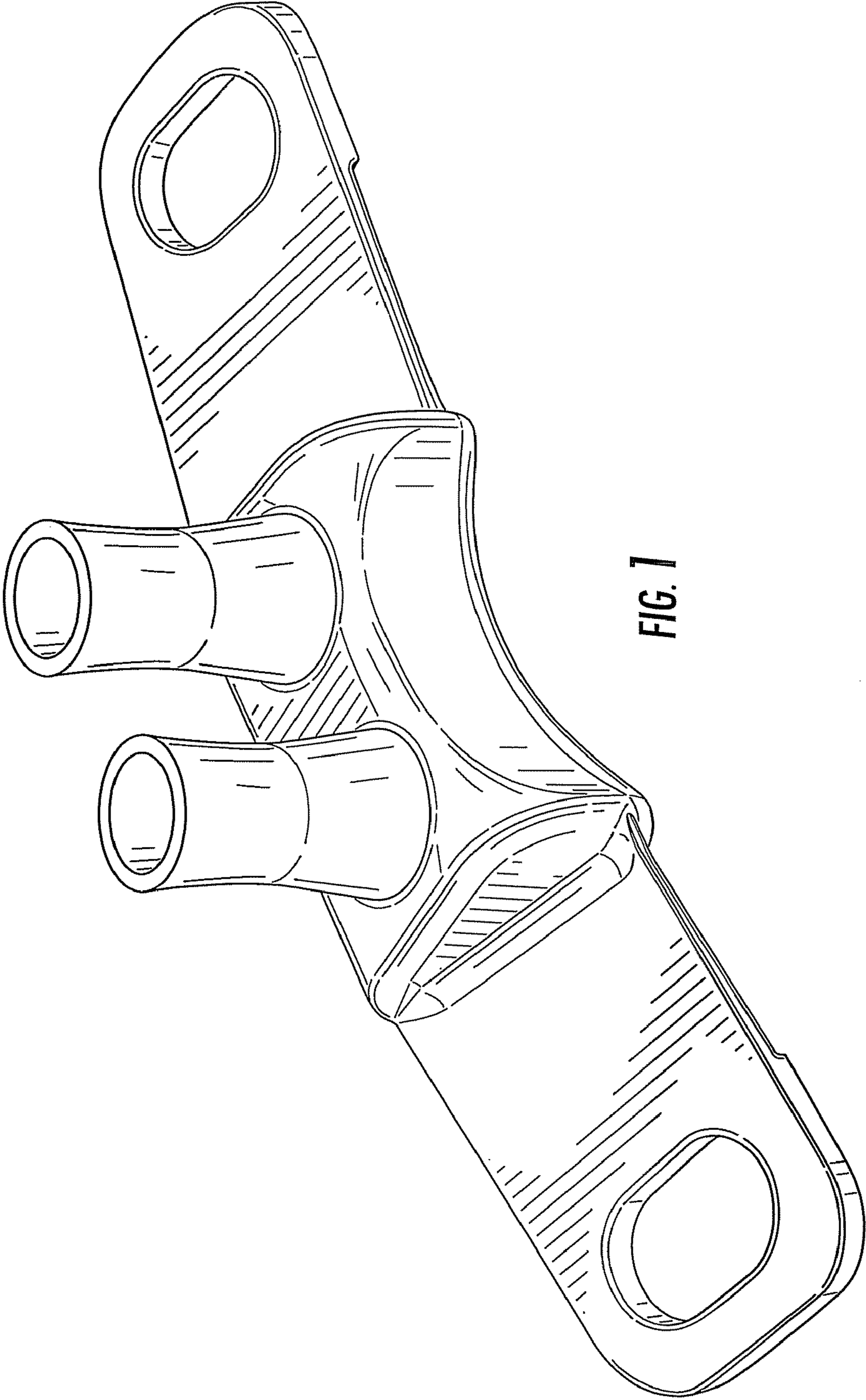


FIG. 1

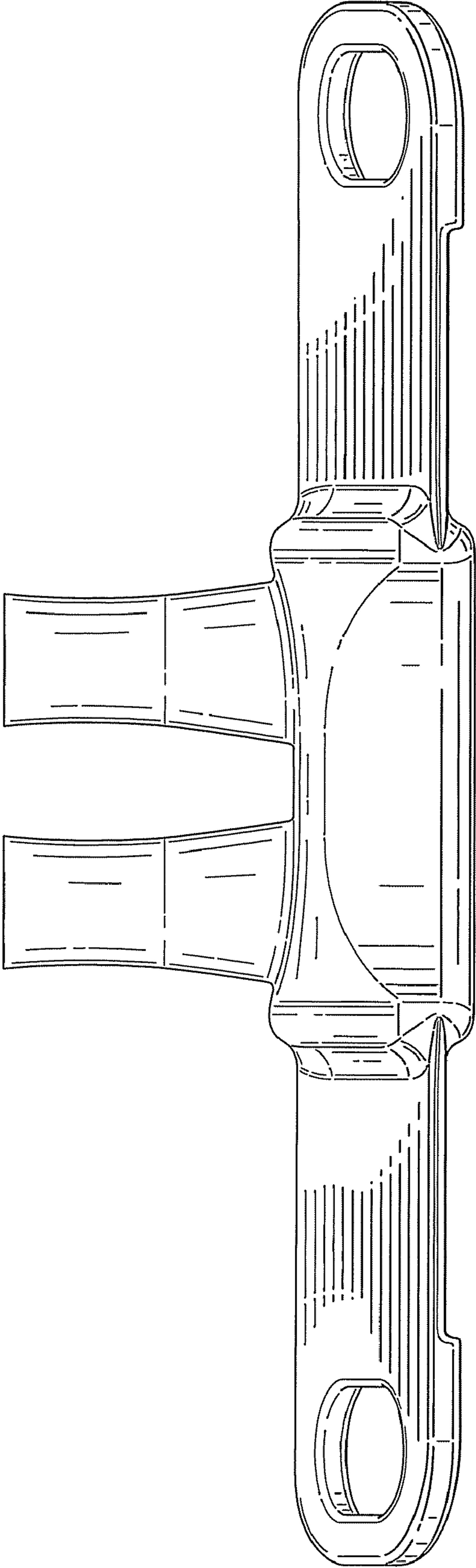


FIG. 2

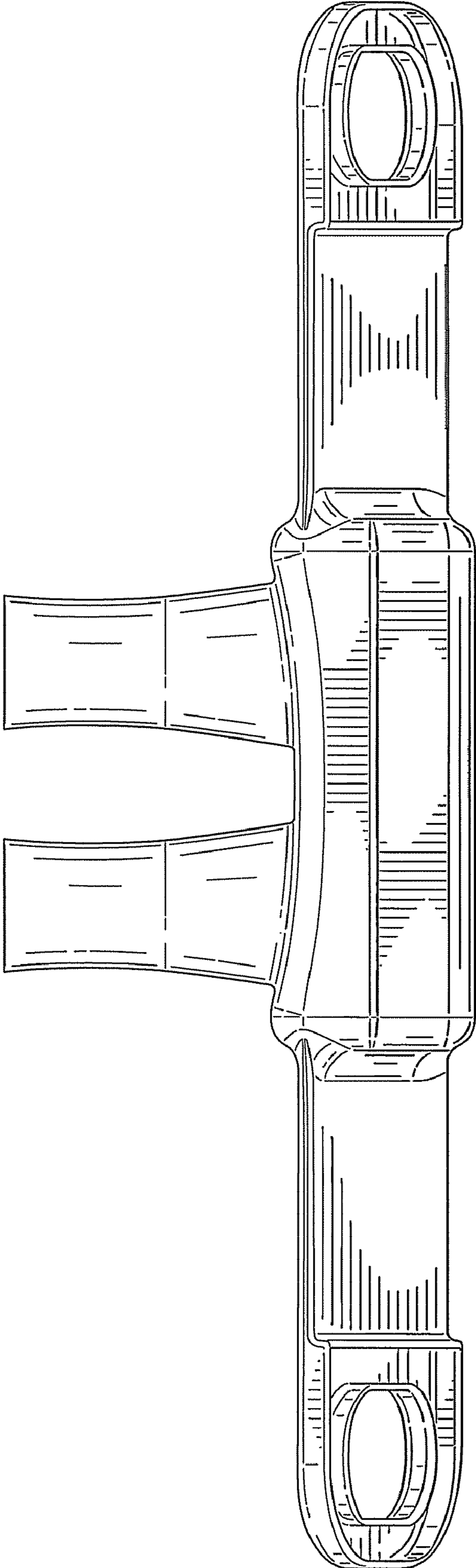


FIG. 3

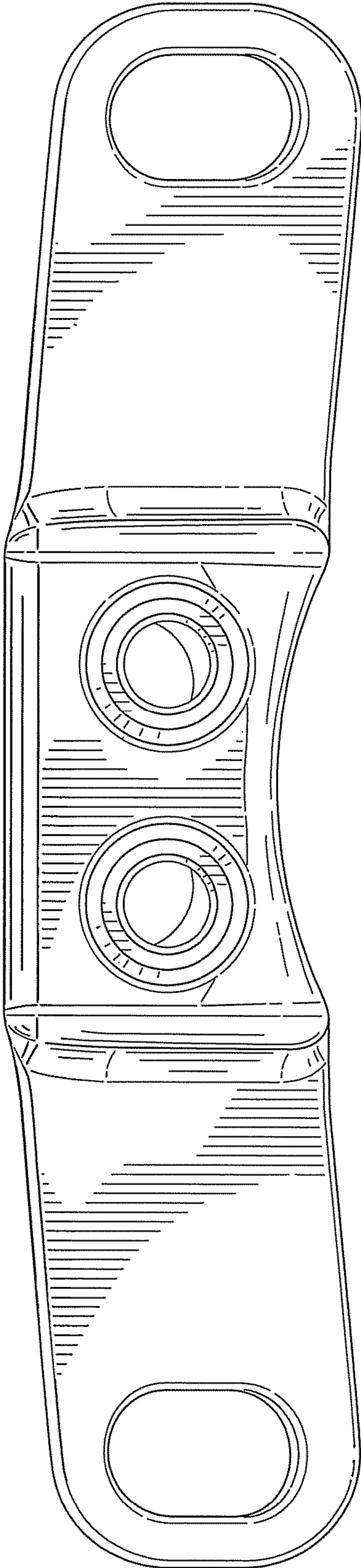


FIG. 4

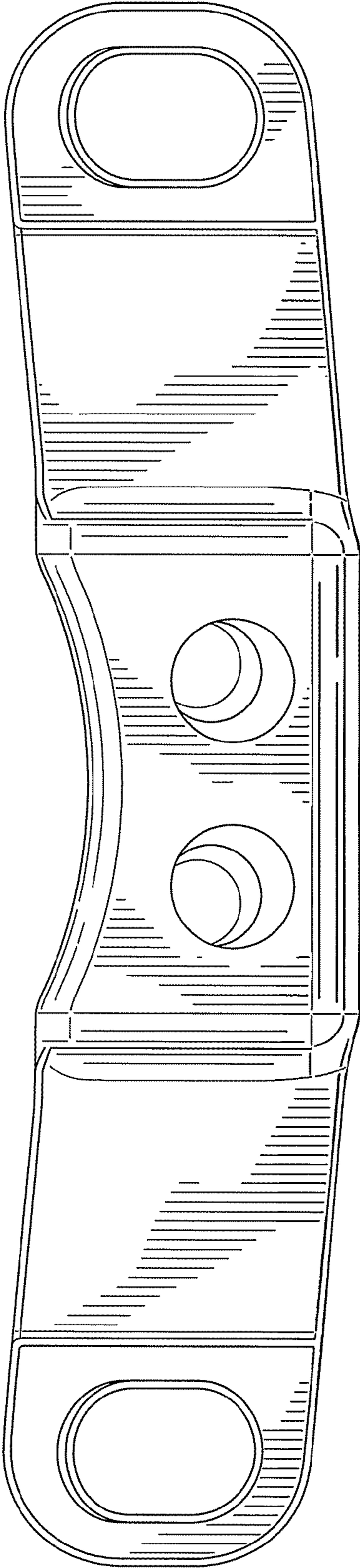
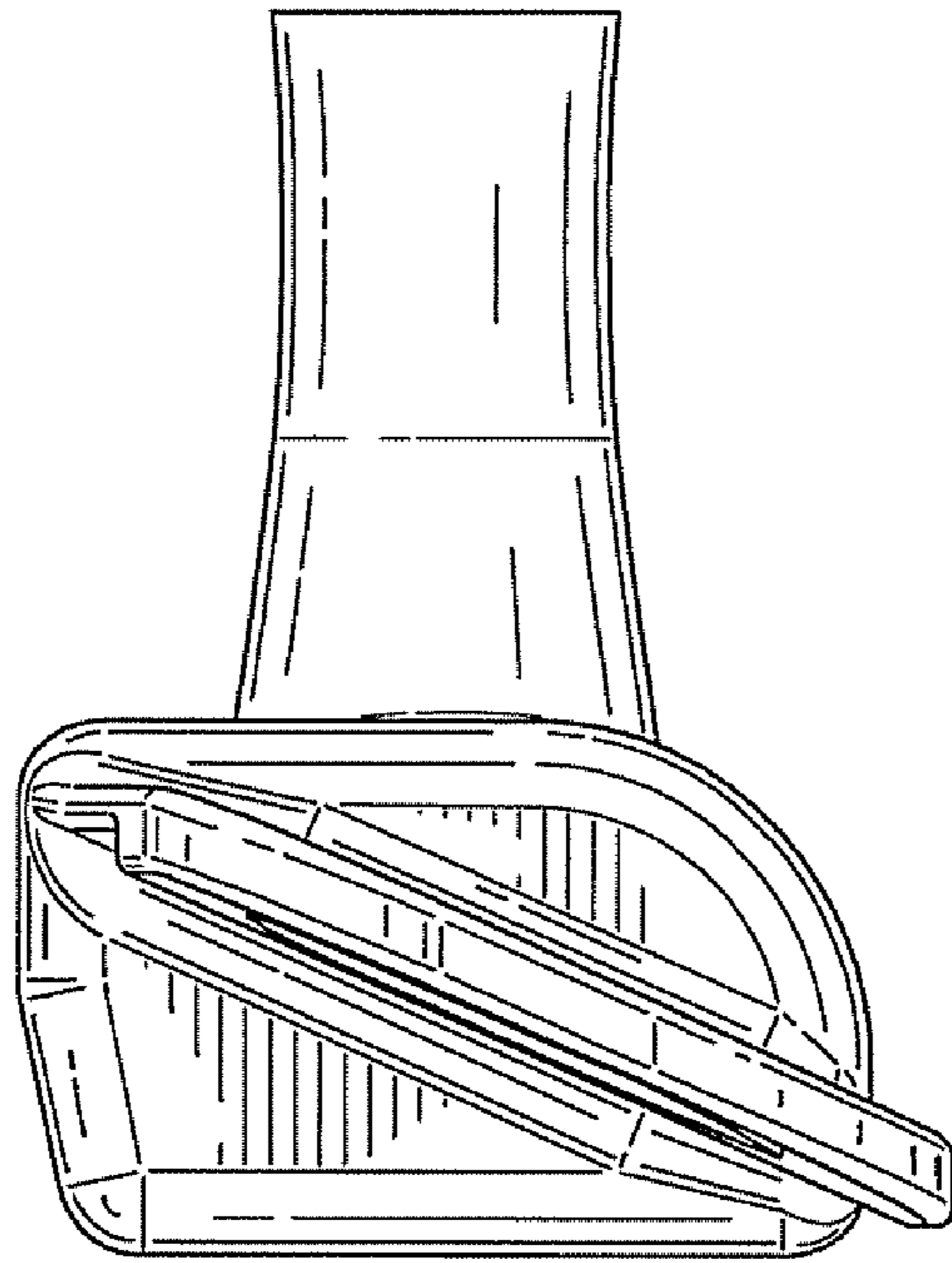
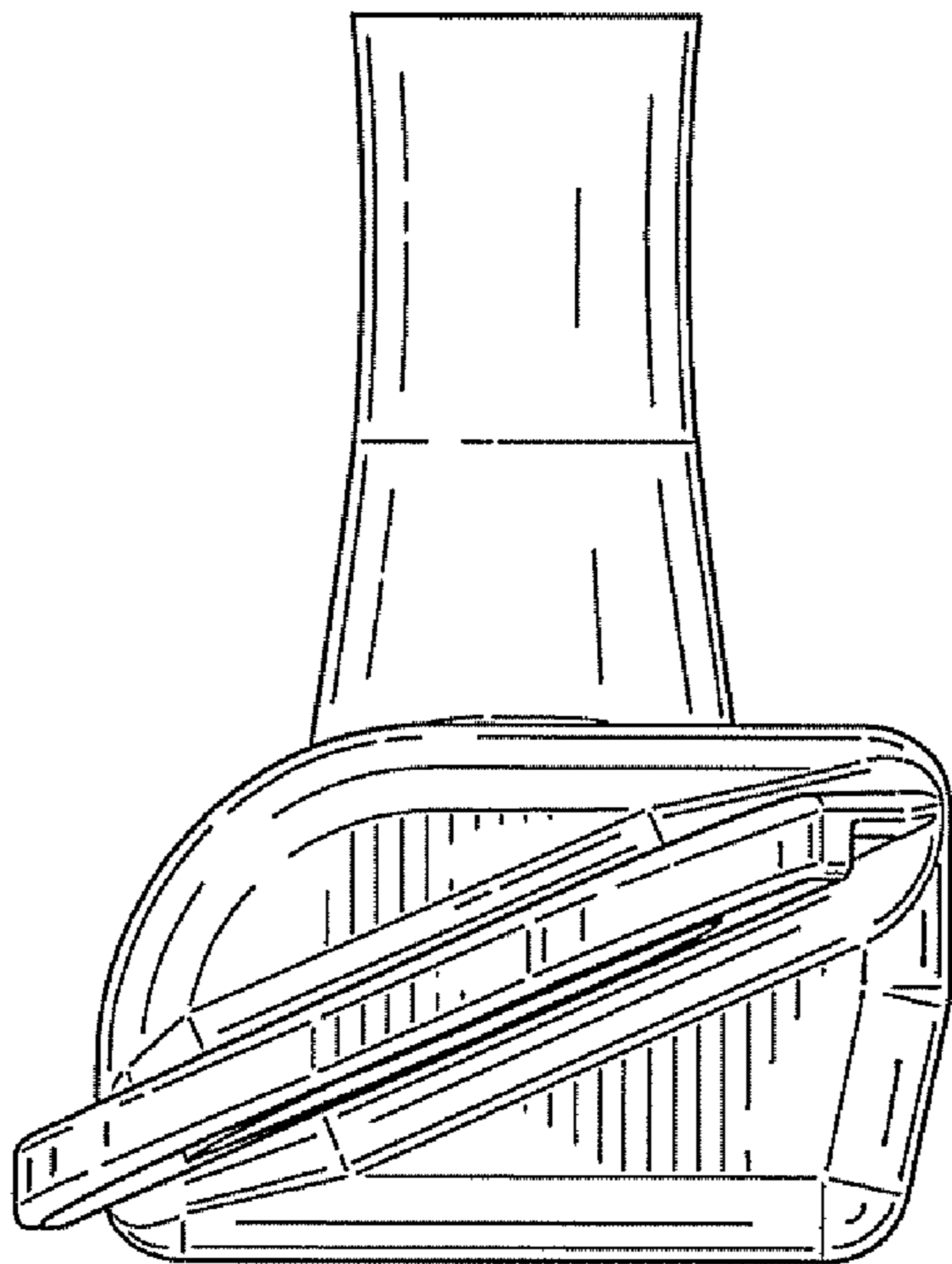


FIG. 5



**FIG. 6**



**FIG. 7**