



US00D678509S

(12) **United States Design Patent**
Koschany

(10) **Patent No.:** **US D678,509 S**

(45) **Date of Patent:** **** Mar. 19, 2013**

(54) **RESPIRATION MASK**

(75) Inventor: **Angelika Koschany**, Munich (DE)

(73) Assignee: **medin Medical Innovations GmbH**,
Puchheim (DE)

(**) Term: **14 Years**

(21) Appl. No.: **29/391,637**

(22) Filed: **May 11, 2011**

(30) **Foreign Application Priority Data**

Nov. 11, 2010 (EM) 001244396-0001

(51) **LOC (9) Cl.** **29-02**

(52) **U.S. Cl.** **D24/110.1**

(58) **Field of Classification Search** D24/110-110.4;
128/206.24, 206.25, 206.26, 206.28, 207.11,
128/207.13

See application file for complete search history.

(56) **References Cited**

U.S. PATENT DOCUMENTS

6,357,441 B1 * 3/2002 Kwok et al. 128/207.13
7,243,651 B2 * 7/2007 Kwok et al. 128/205.25

7,665,464 B2 * 2/2010 Kopacko et al. 128/206.24
2005/0257791 A1 * 11/2005 Biederman 128/204.23
2008/0053450 A1 * 3/2008 Van Kerkwyk et al. . 128/206.24
2008/0110464 A1 * 5/2008 Davidson et al. 128/206.26
2009/0014007 A1 * 1/2009 Brambilla et al. 128/206.24
2010/0024811 A1 * 2/2010 Henry et al. 128/202.16

* cited by examiner

Primary Examiner — Ian Simmons

Assistant Examiner — Richelle Shelton

(74) *Attorney, Agent, or Firm* — Jenkins, Wilson, Taylor &
Hunt, P.A.

(57) **CLAIM**

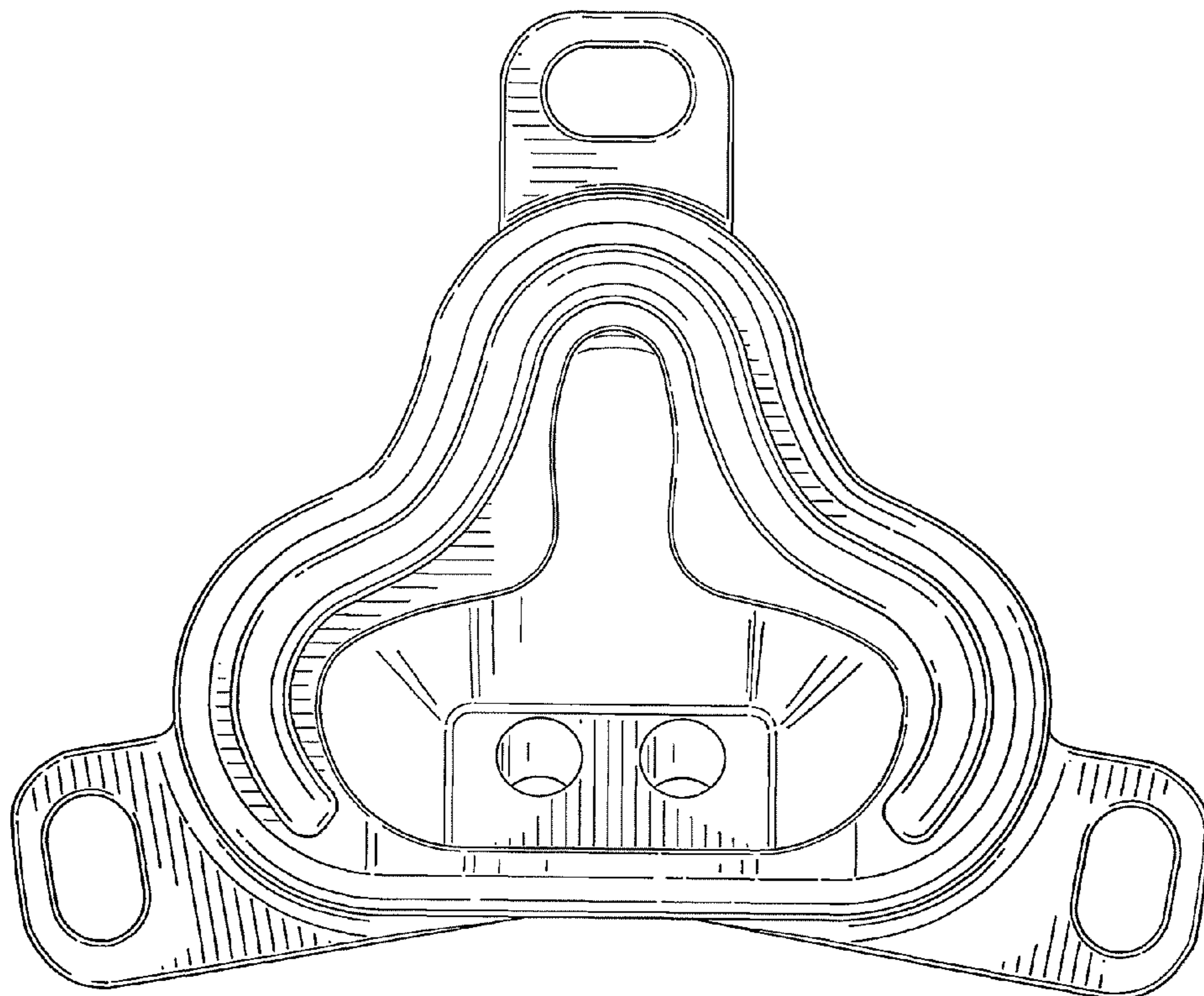
The ornamental design for a respiration mask, as shown and described.

DESCRIPTION

FIG. 1 is a rear perspective view thereof;
FIG. 2 is a bottom view thereof;
FIG. 3 is a top view thereof;
FIG. 4 is a side view thereof;
FIG. 5 is an opposite side view thereof;
FIG. 6 is a rear view thereof; and,
FIG. 7 is a front view thereof.

The illustrated design is not limited to the scale shown.

1 Claim, 7 Drawing Sheets



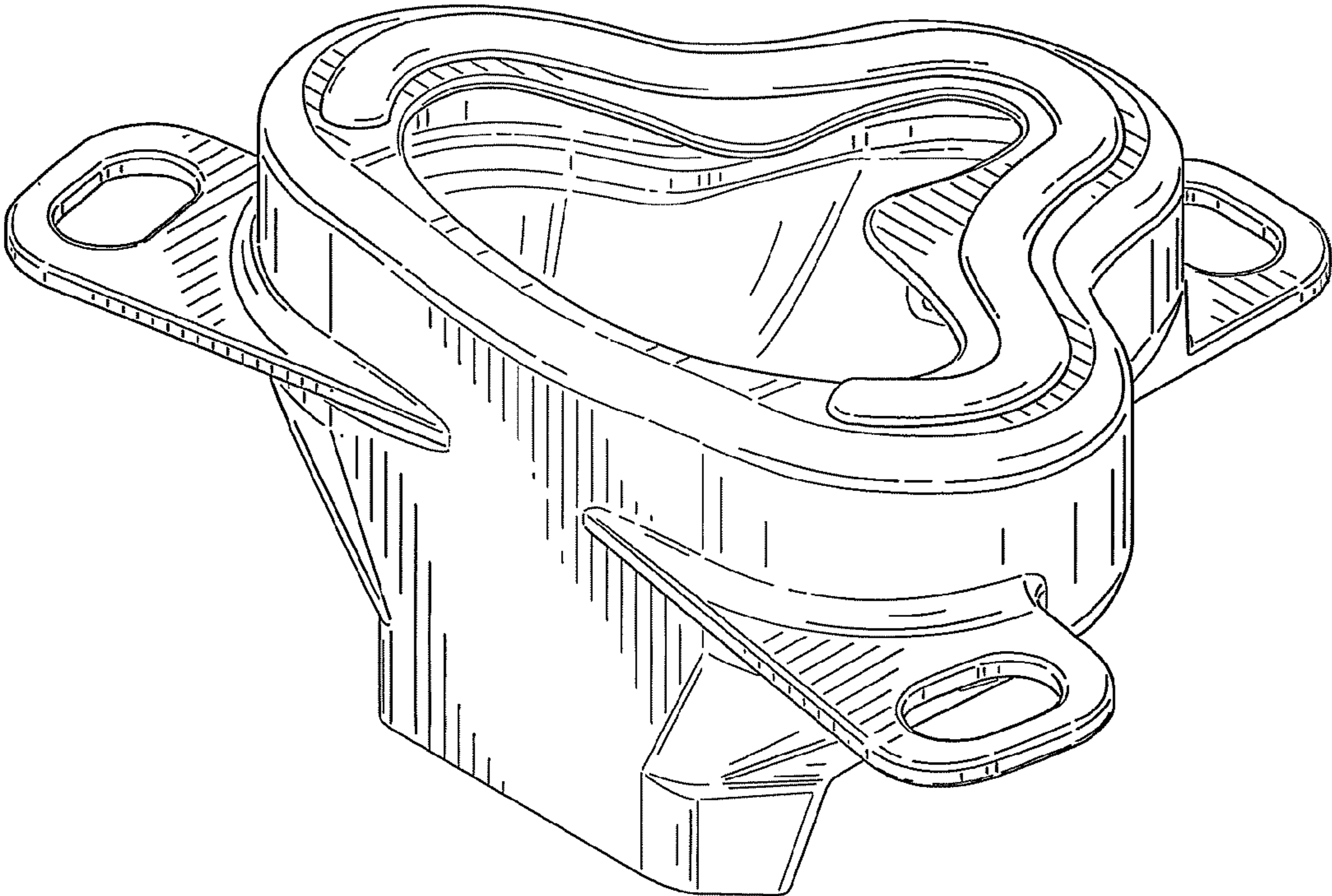


FIG. 1

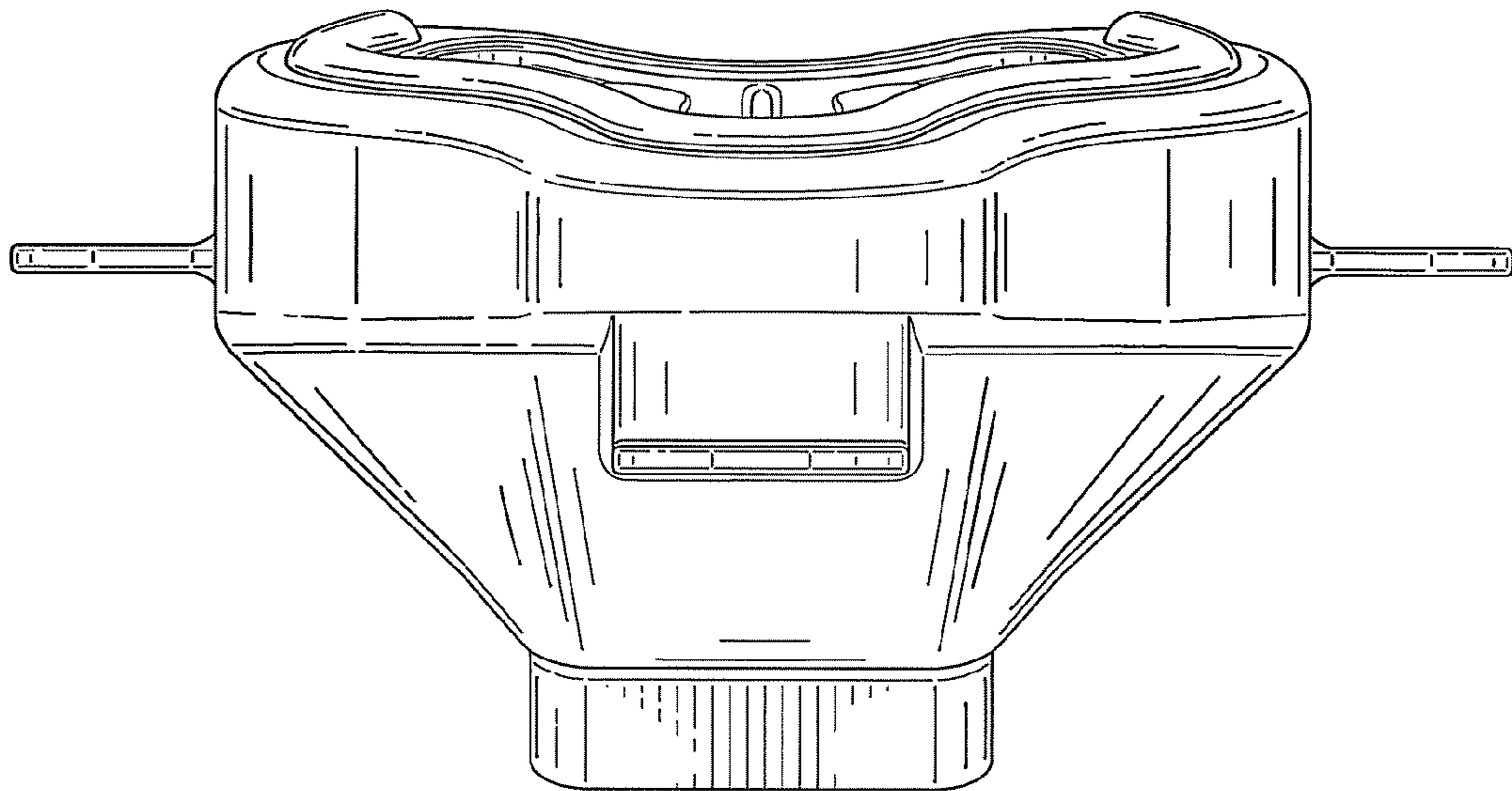


FIG. 2

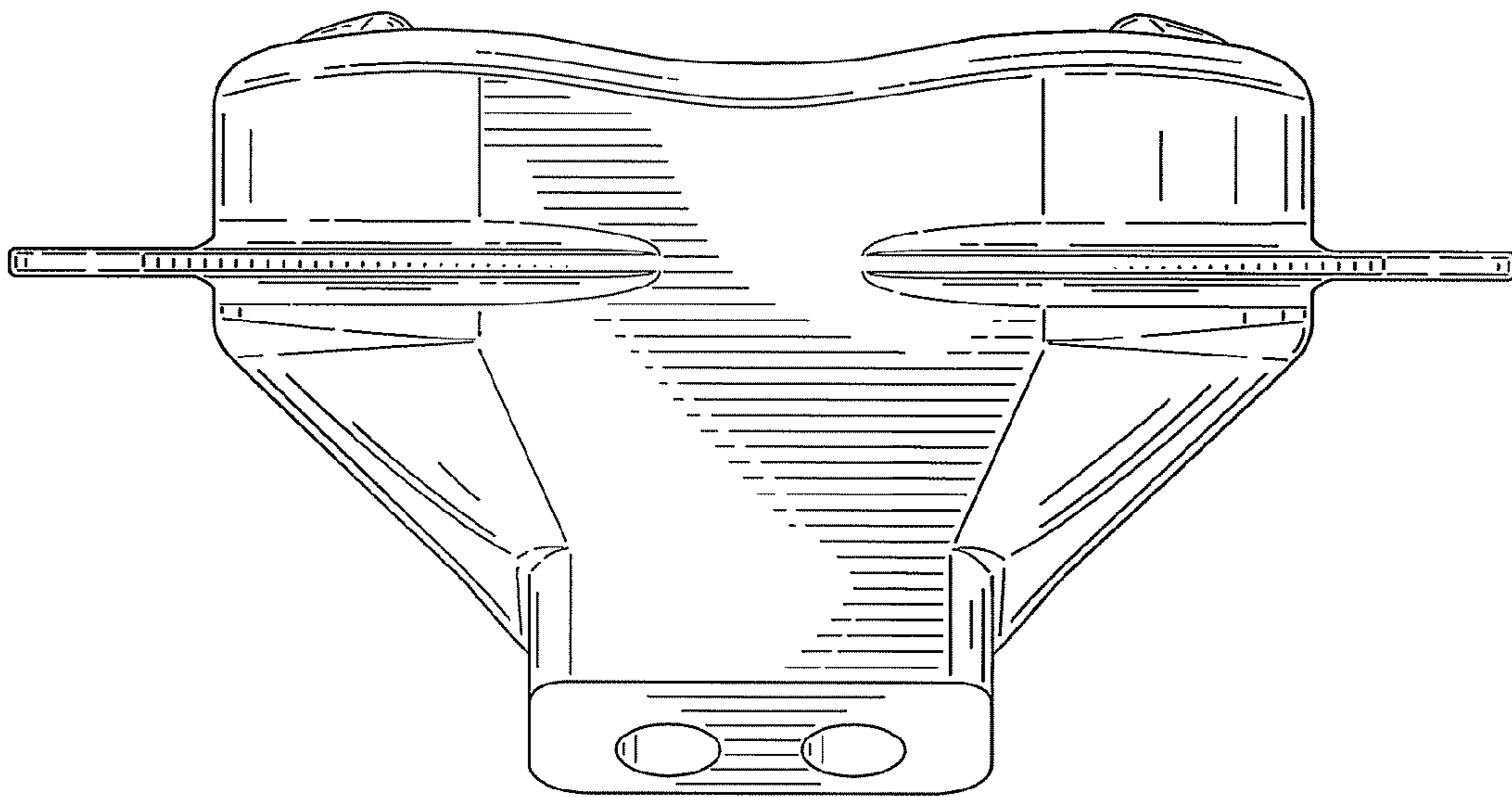


FIG. 3

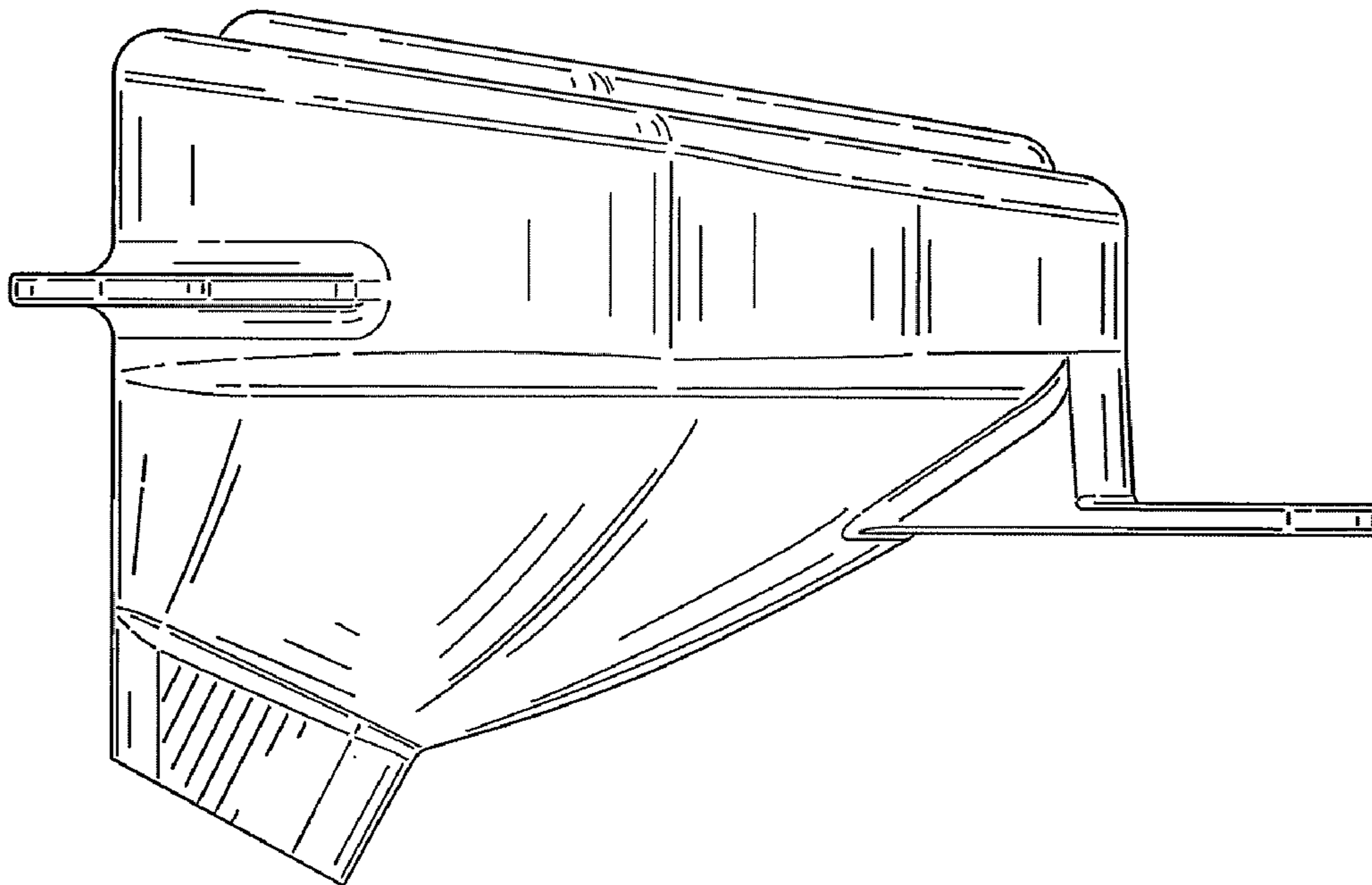


FIG. 4

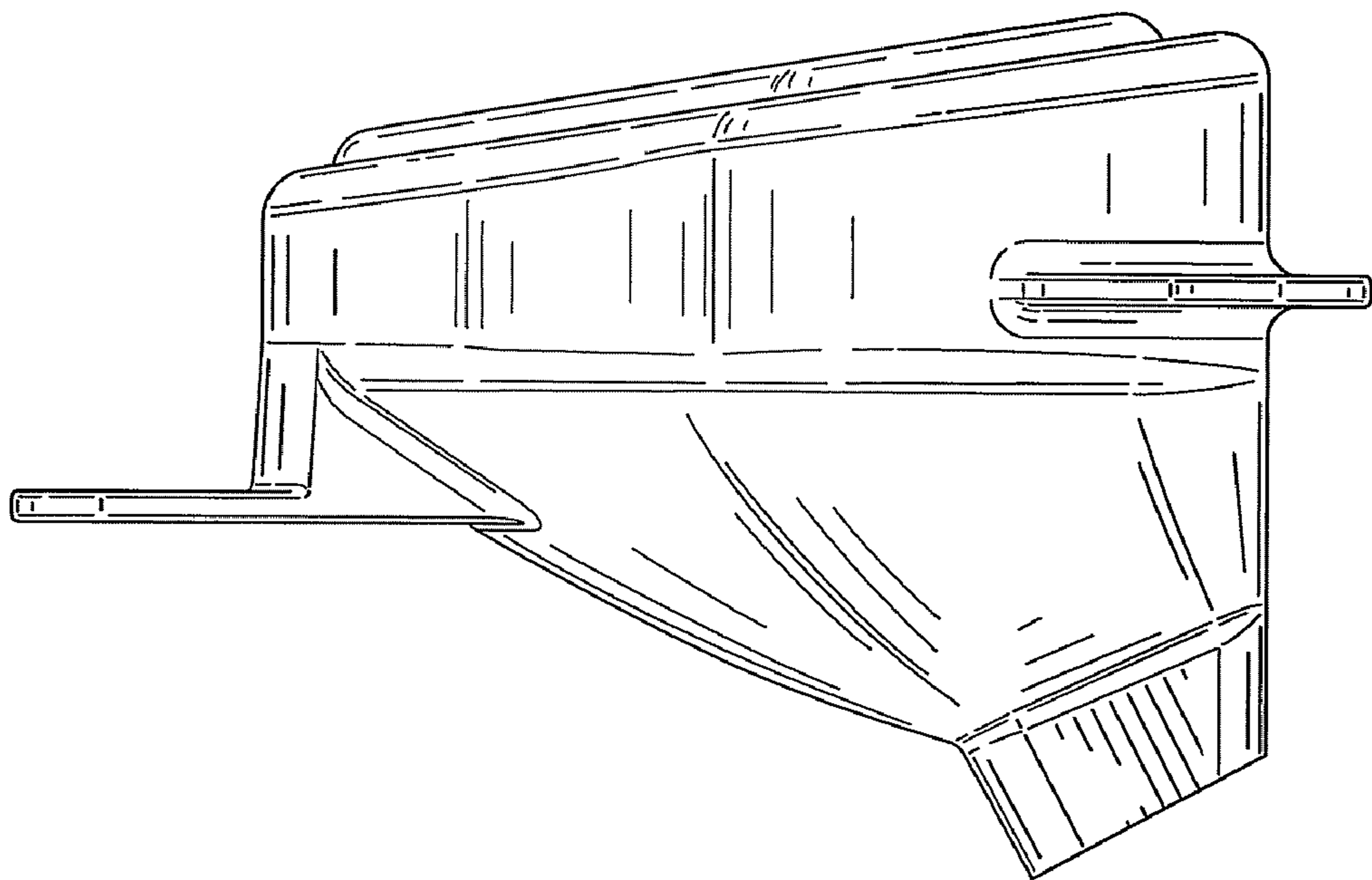


FIG. 5

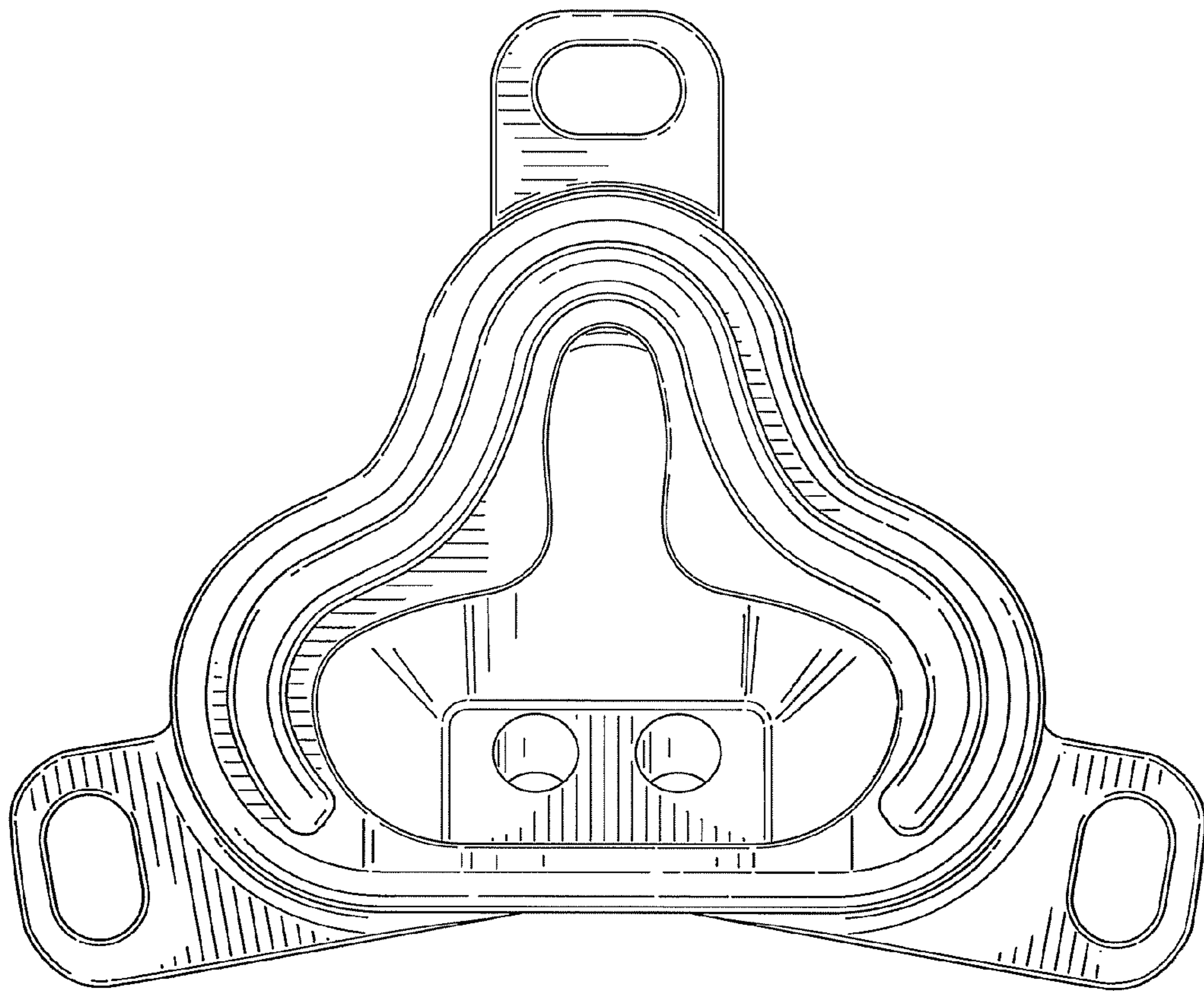


FIG. 6

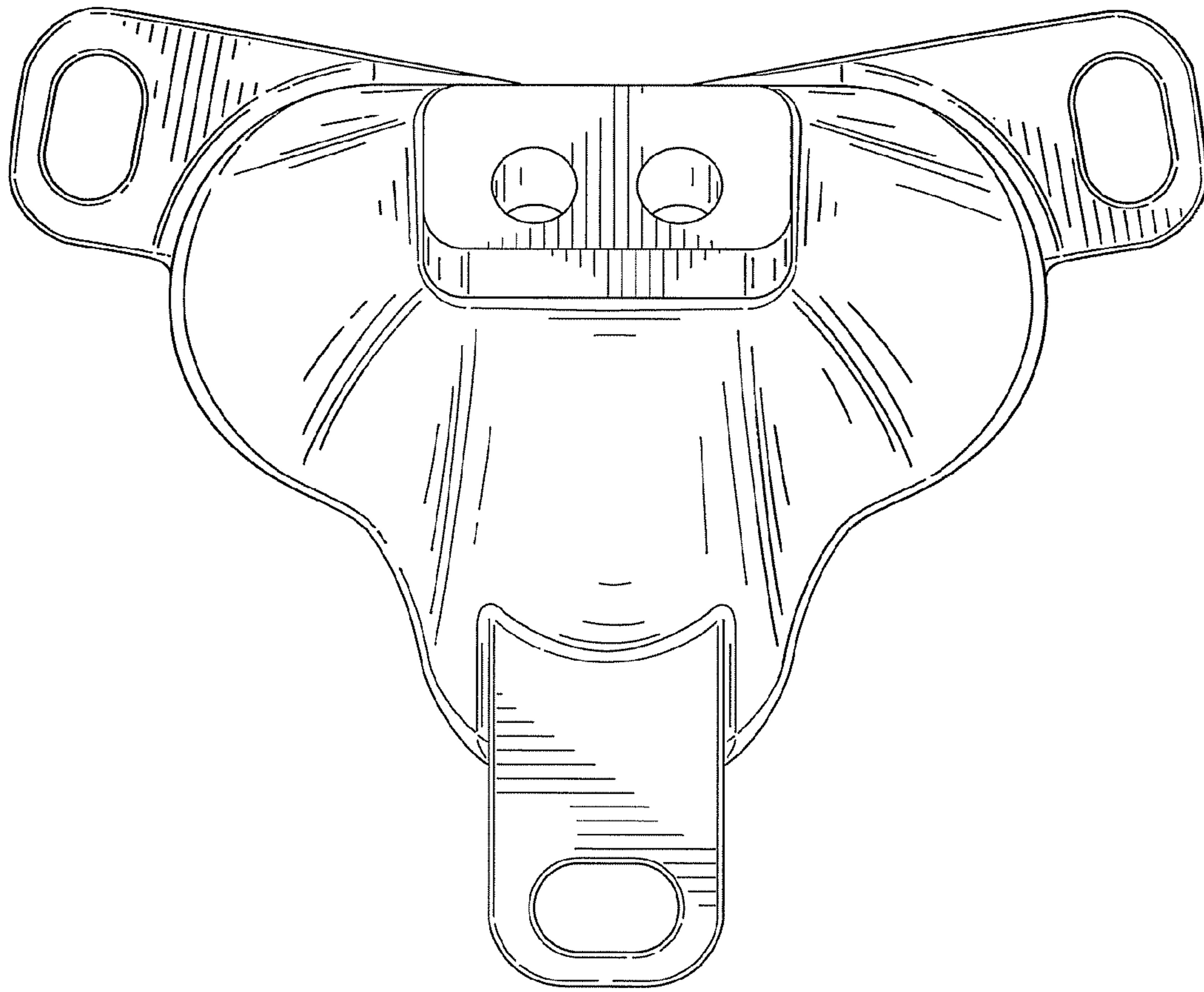


FIG. 7