



US00D678507S

(12) **United States Design Patent**
Duffy

(10) **Patent No.:** **US D678,507 S**
(45) **Date of Patent:** **** Mar. 19, 2013**

(54) **PARALLEL BOND LINES ON A FIBROUS
FILTRATION FACE MASK**

D626,219 S * 10/2010 Rubio D24/124
2004/0255946 A1 12/2004 Gerson et al.
2011/0094515 A1 4/2011 Duffy

(75) Inventor: **Dean R. Duffy**, Woodbury, MN (US)

FOREIGN PATENT DOCUMENTS

(73) Assignee: **3M Innovative Properties Company**,
St. Paul, MN (US)

AU 141695 S 9/2002
EM 000447404-0002 12/2005
RU 2090225 9/1997
RU 2233190 7/2004
WO 00/48481 8/2000
WO 2006/019472 A1 2/2006

(**) Term: **14 Years**

* cited by examiner

(21) Appl. No.: **29/345,876**

(22) Filed: **Oct. 23, 2009**

Primary Examiner — Rashida Johnson

(51) **LOC (9) Cl.** **29-02**

(74) *Attorney, Agent, or Firm* — Karl G. Hanson

(52) **U.S. Cl.** **D24/110.1**

(58) **Field of Classification Search** D24/110.1,
D24/124, 125; 128/206.19, 206.21, 206.24
See application file for complete search history.

(57) **CLAIM**

The ornamental design for parallel bond lines on a fibrous filtration face mask, as shown and described.

(56) **References Cited**

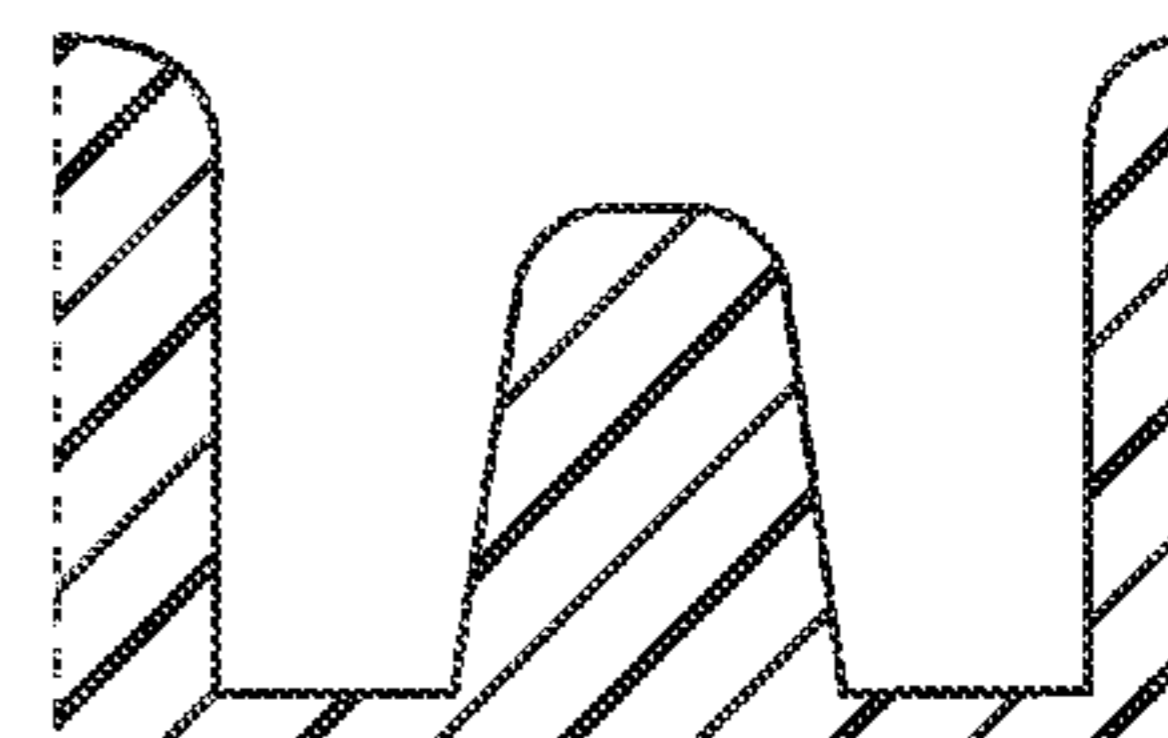
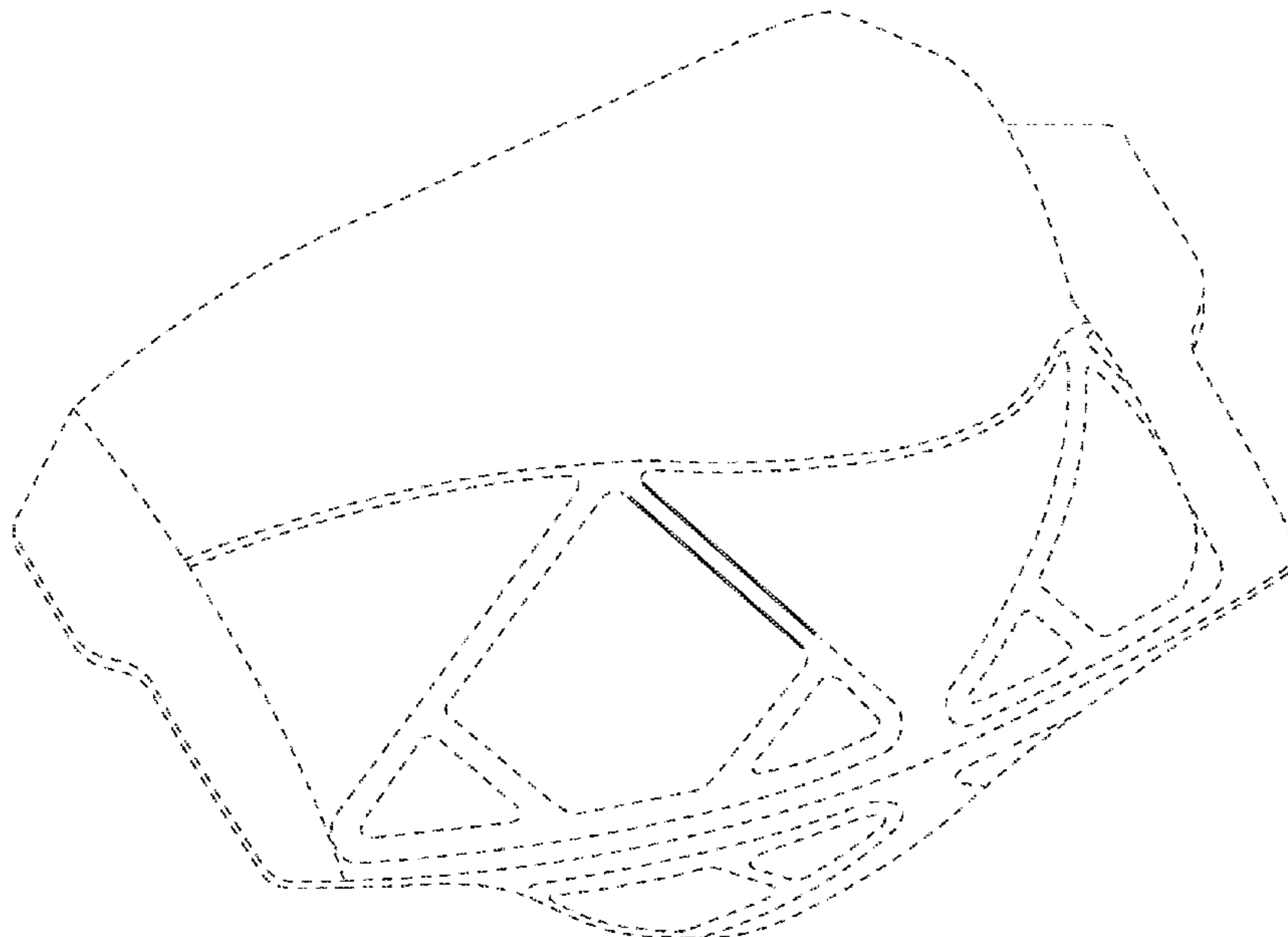
DESCRIPTION

U.S. PATENT DOCUMENTS

4,419,994 A 12/1983 Hilton
4,606,341 A 8/1986 Hubbard et al.
4,807,619 A 2/1989 Dyrud et al.
D339,658 S * 9/1993 Lahteenmaki et al. ... D24/110.1
D380,545 S * 7/1997 Nozaki et al. D24/110.1
5,656,368 A 8/1997 Braun
5,701,893 A * 12/1997 Kern et al. 128/206.24
D416,323 S 11/1999 Henderson et al.
D416,324 S * 11/1999 Nixon et al. D24/125
D443,927 S 6/2001 Chen et al.
6,394,090 B1 5/2002 Chen et al.
D464,726 S 10/2002 Wolfe
D477,075 S * 7/2003 Schoelling D24/125
D506,254 S * 6/2005 Carlucci et al. D24/124
D519,208 S * 4/2006 Wolfe D24/110.2
7,145,054 B2 * 12/2006 Zander et al. 604/380
D607,560 S * 1/2010 Bruzadin et al. D24/124
D607,997 S * 1/2010 Noel et al. D24/124
D609,803 S * 2/2010 Ungar D24/110.1

FIG. 1 is a perspective view, showing the new design for parallel bond lines on a fibrous filtration face mask;
FIG. 2 is a front view thereof;
FIG. 3 is an enlarged expanded cross-sectional view thereof, taken along line 3-3 of FIG. 2;
FIG. 4 is a left-side view thereof;
FIG. 5 is a top view thereof;
FIG. 6 is a bottom view thereof;
FIG. 7 is a rear view thereof;
FIG. 8 is a perspective view that shows the new design for parallel bond lines on a fibrous filtration face mask with the mask in folded condition; and,
FIG. 9 is a left side view of the folded mask of FIG. 8, the right side view being a mirror image of the left side view.
The broken line showing forms no part of the claimed design.

1 Claim, 4 Drawing Sheets



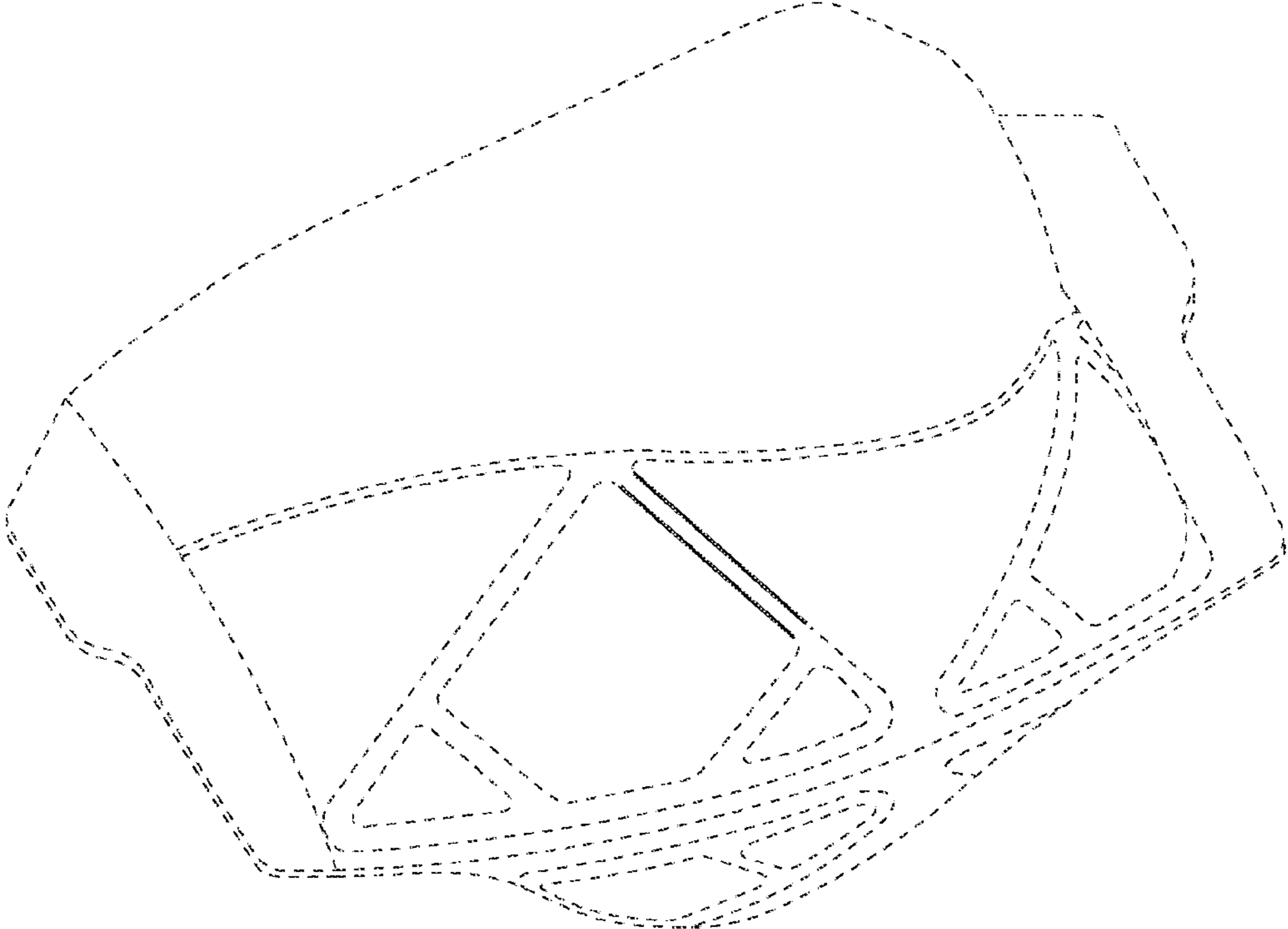


Fig. 1

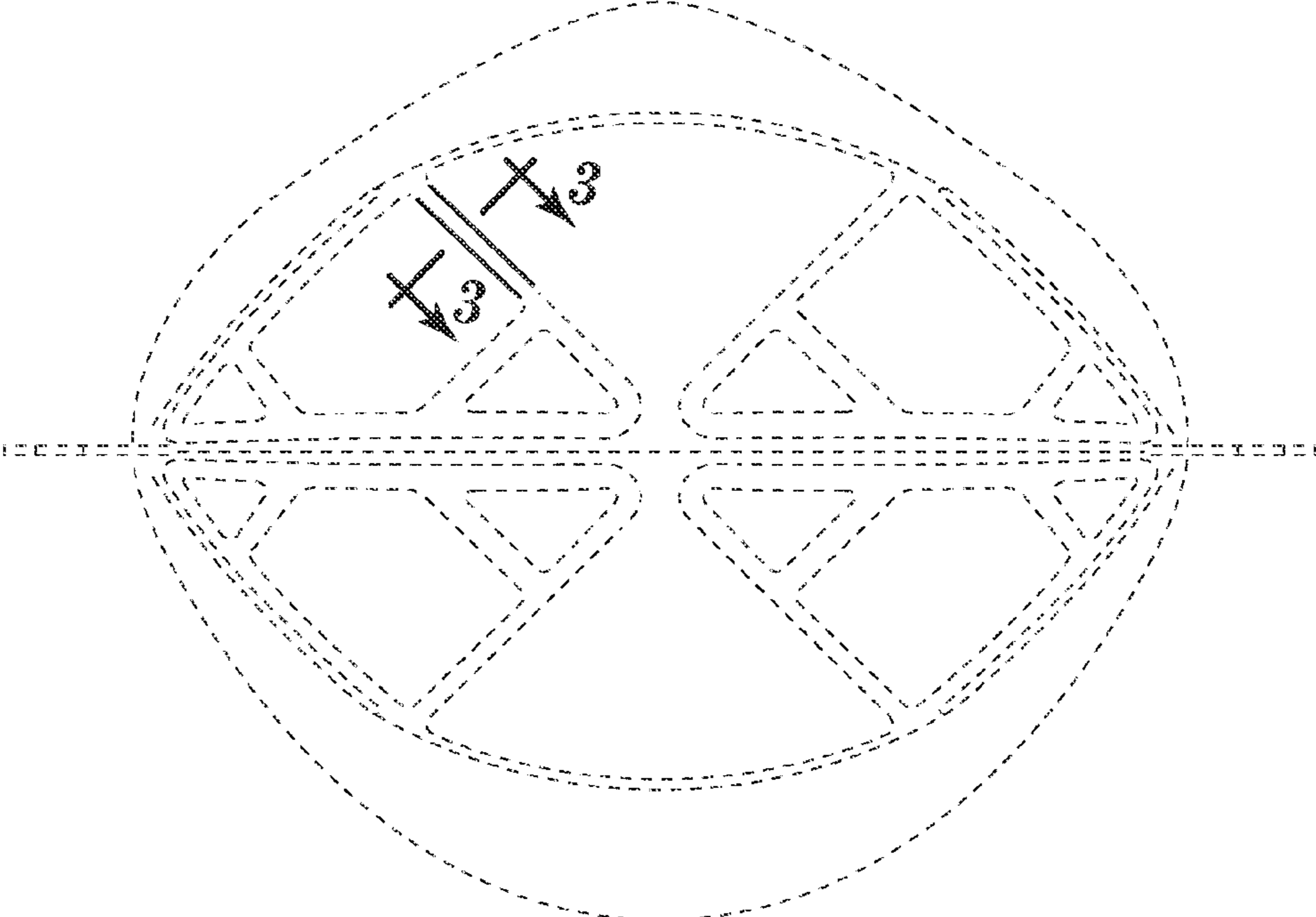


Fig. 2

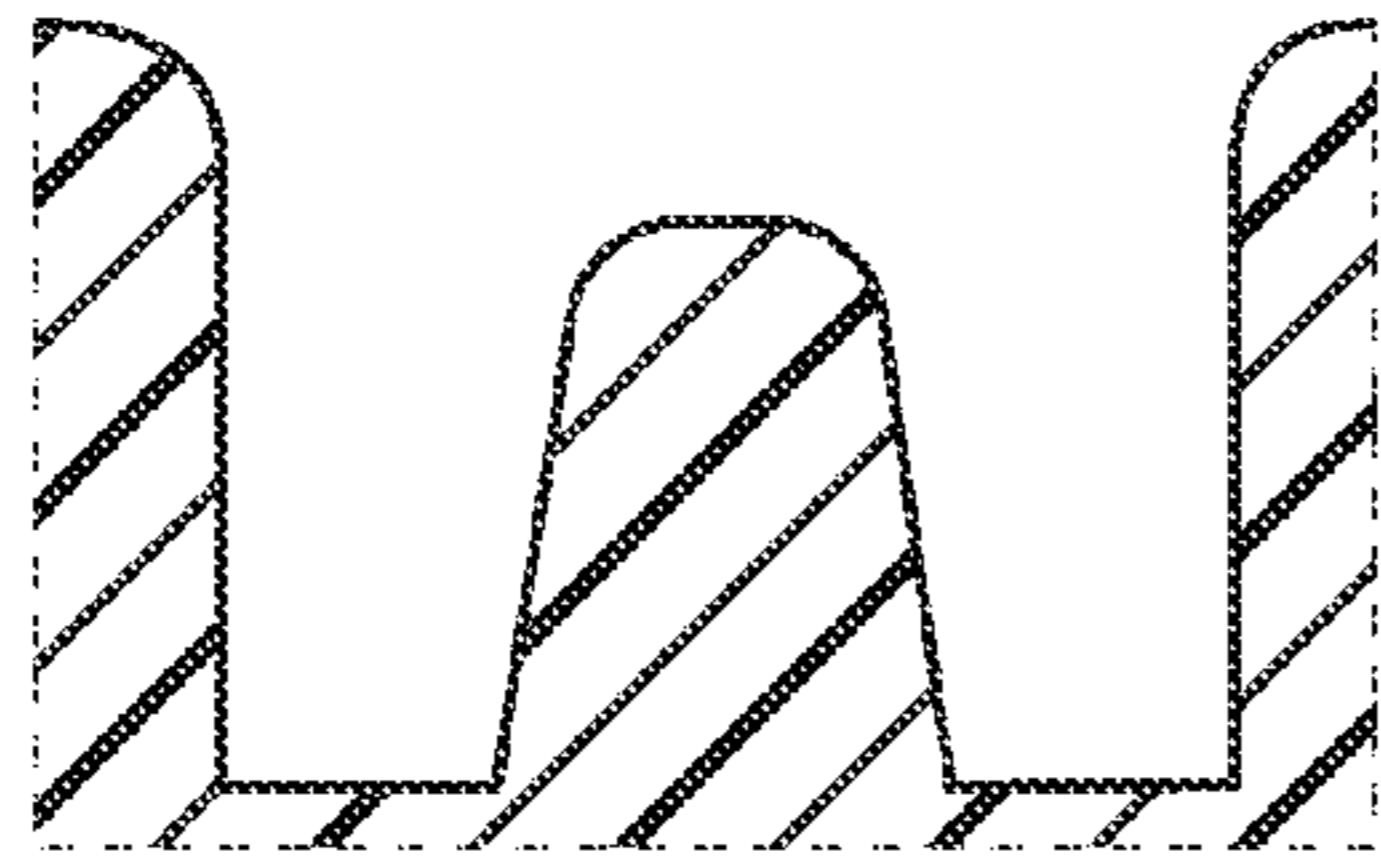


Fig. 3

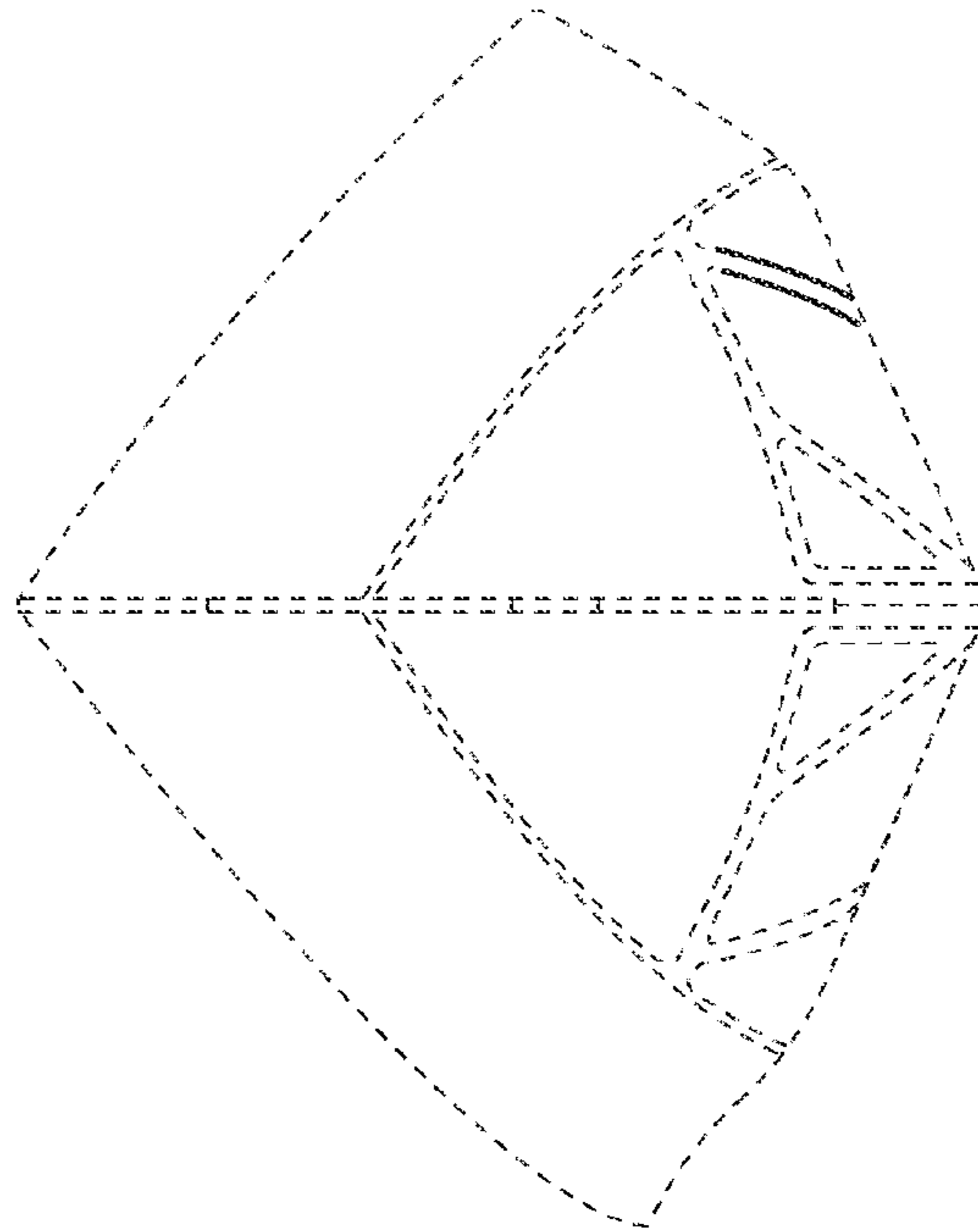


Fig. 4

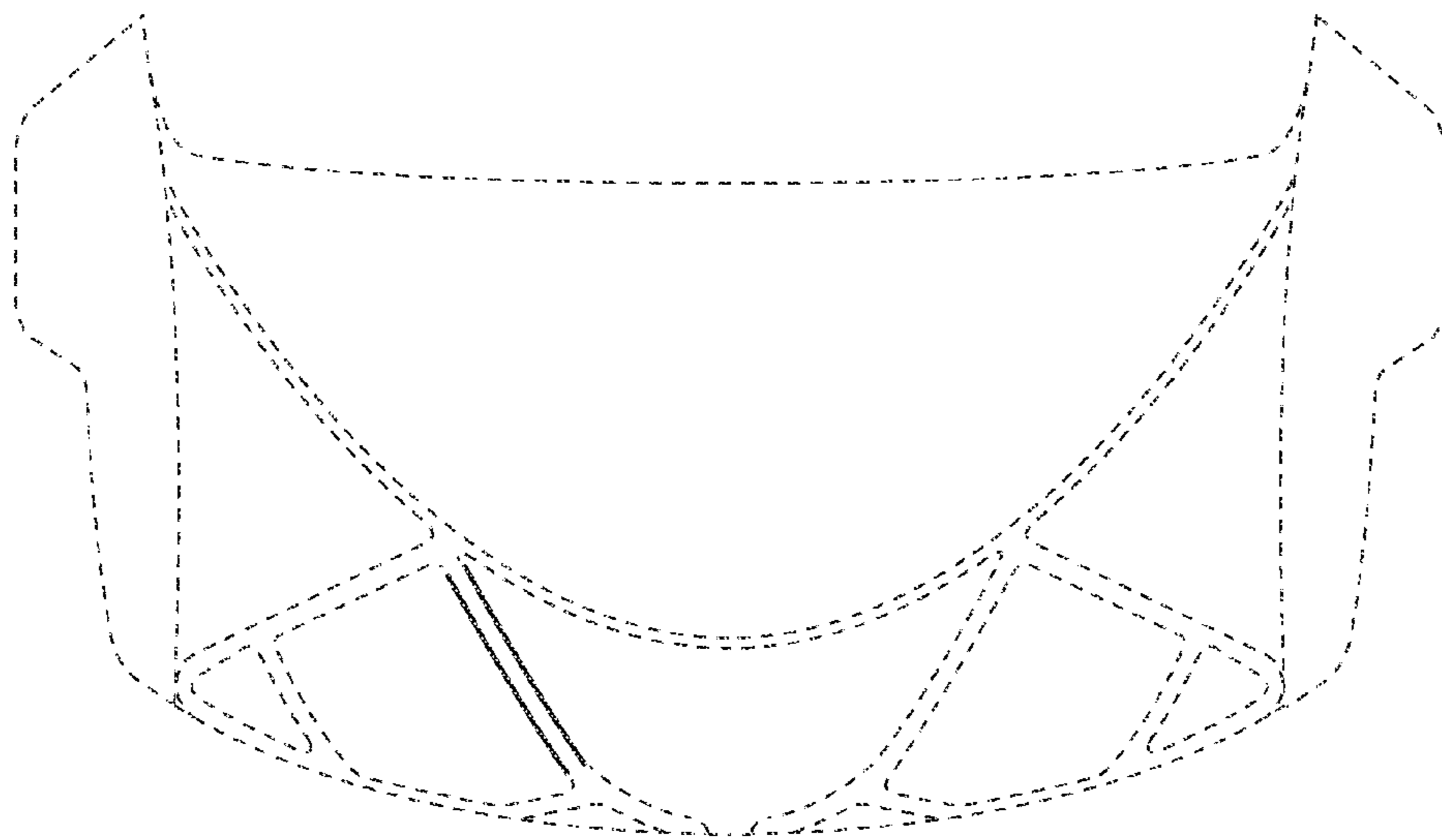


Fig. 5

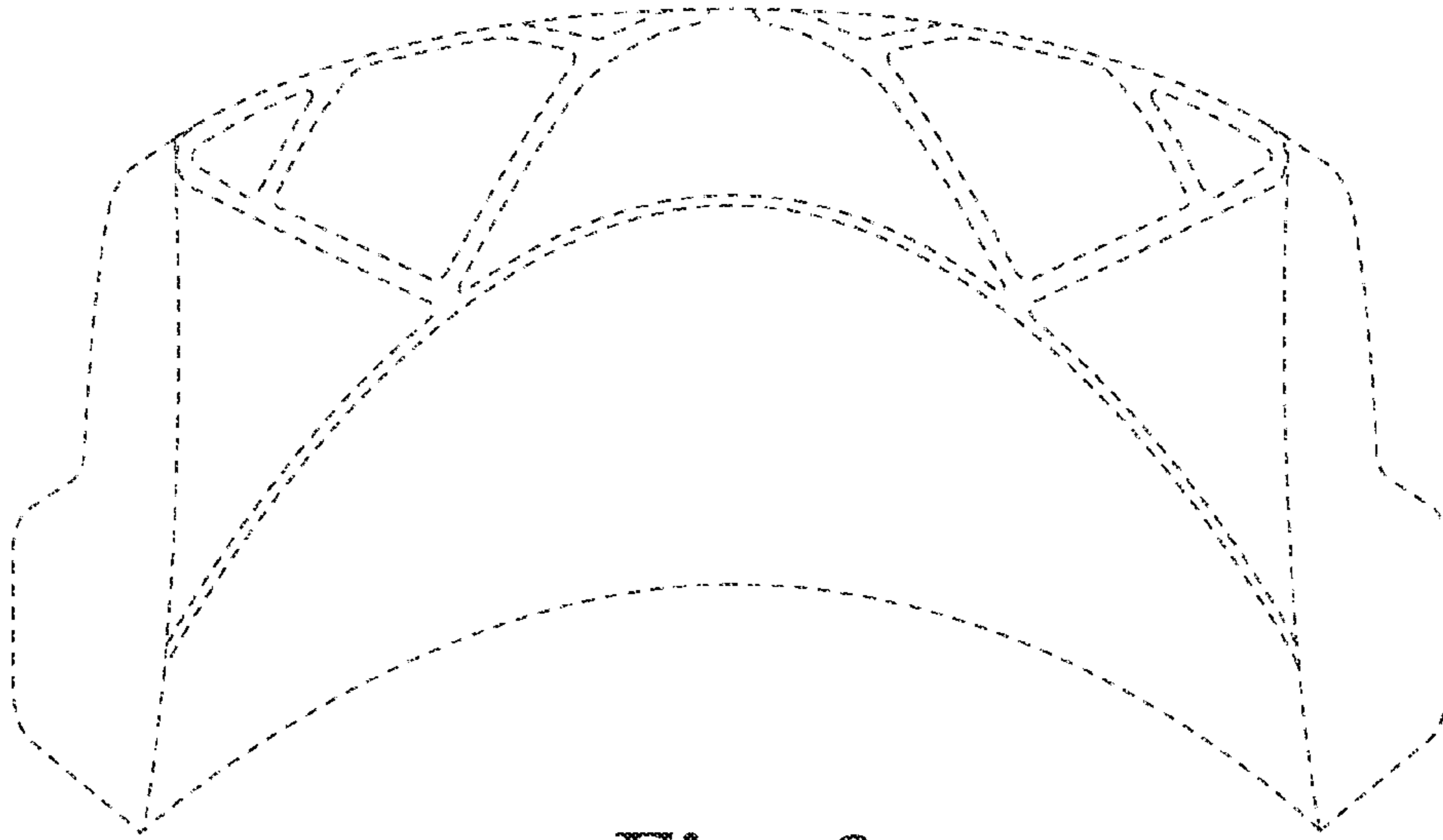


Fig. 6

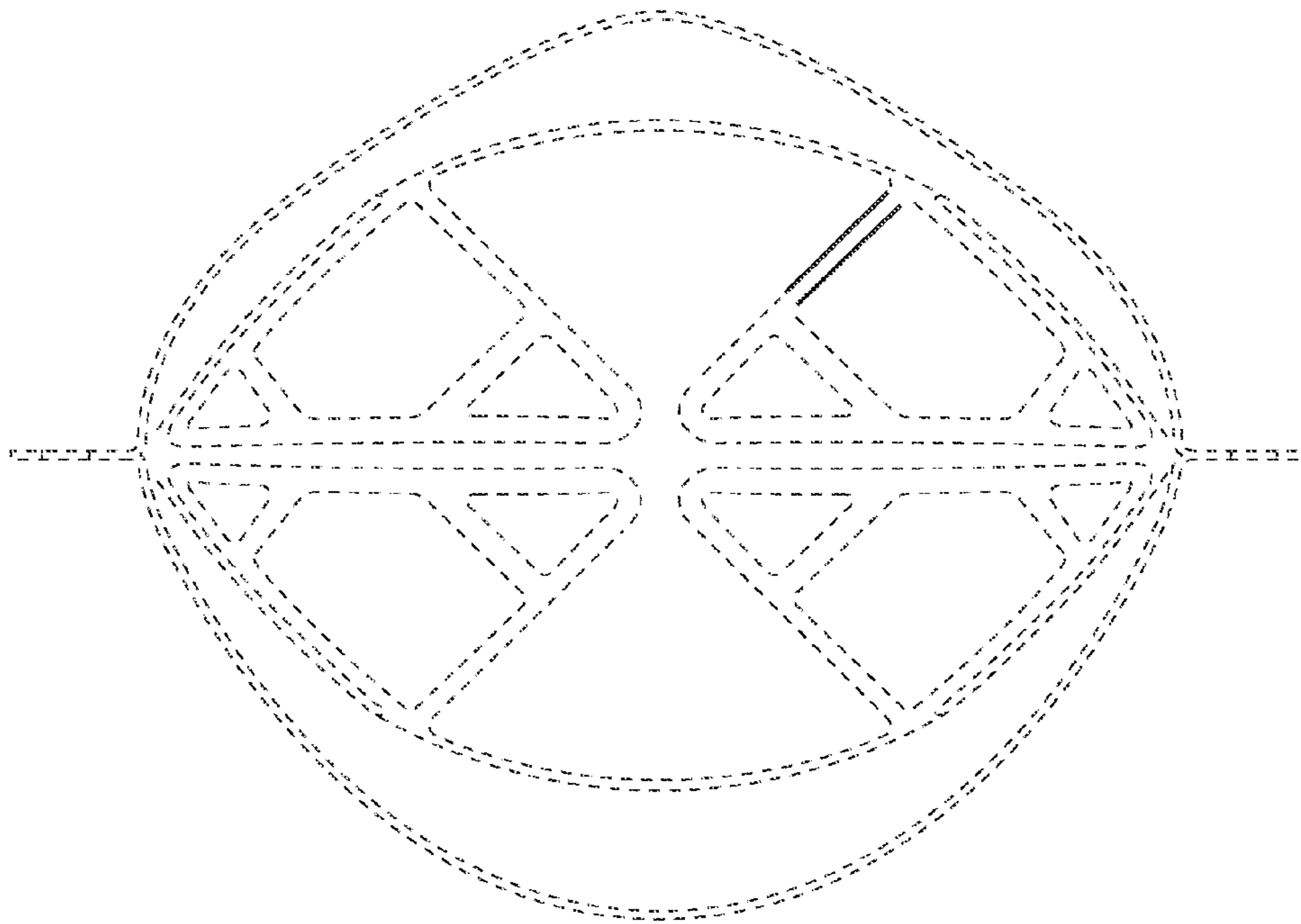


Fig. 7

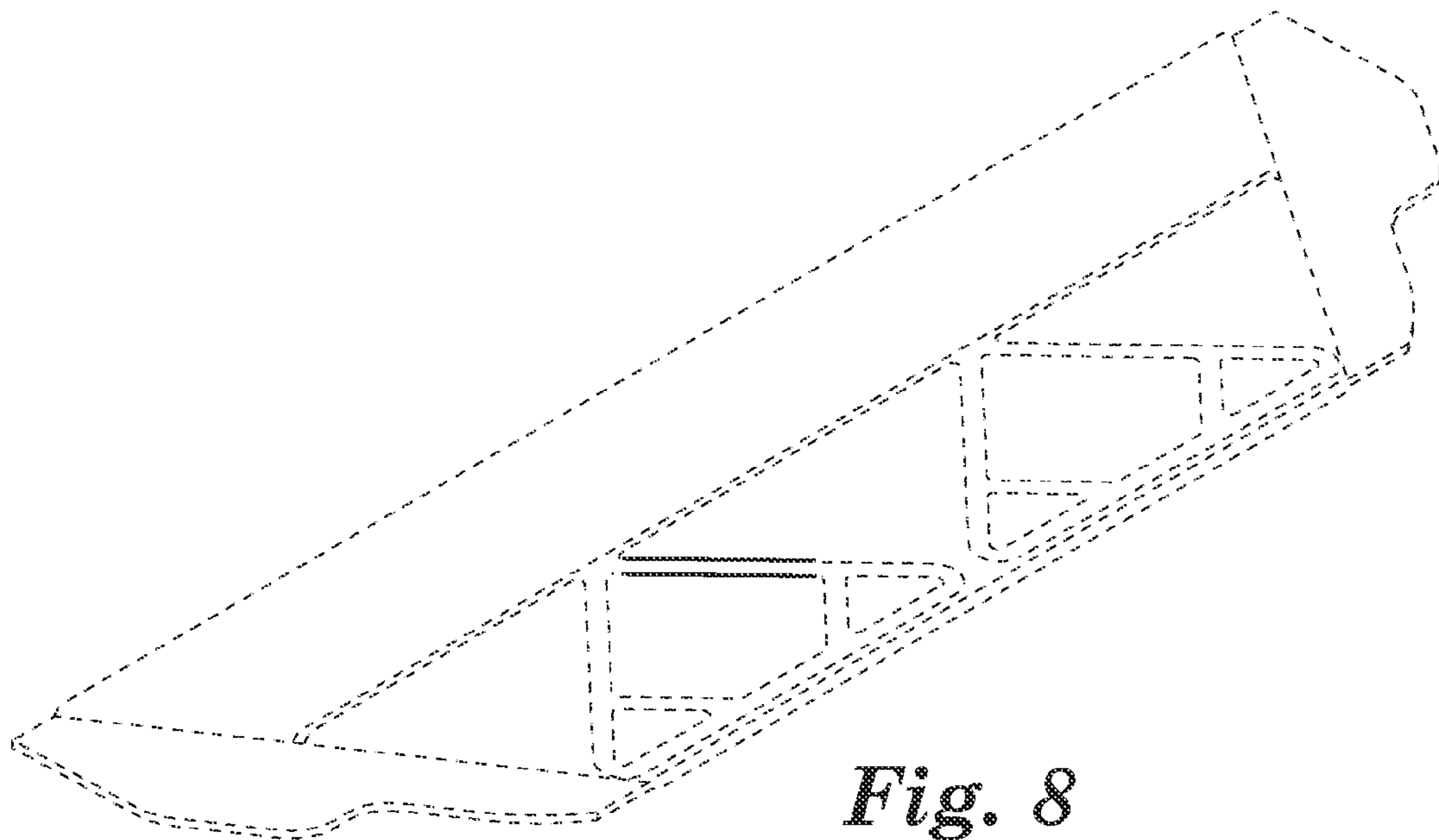


Fig. 8

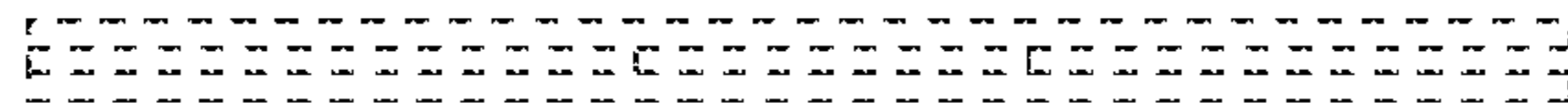


Fig. 9