



US00D678502S

(12) **United States Design Patent**  
**Schmidt et al.**

(10) **Patent No.:** **US D678,502 S**

(45) **Date of Patent:** **\*\* Mar. 19, 2013**

(54) **CANISTER LID INSERT**

(75) Inventors: **Craig Schmidt**, Lenexa, KS (US);  
**Larry Smith**, Shawnee, KS (US); **Jeff O'Bryan**, Leawood, KS (US);  
**Christopher Hosler**, Overland Park, KS (US); **Christopher Winsor**, Overland Park, KS (US)

(73) Assignee: **Dornoch Medical Systems, Inc.**,  
Riverside, MO (US)

(\*\*) Term: **14 Years**

(21) Appl. No.: **29/402,790**

(22) Filed: **Sep. 27, 2011**

(51) **LOC (9) Cl.** ..... **24-01**

(52) **U.S. Cl.** ..... **D24/108; D9/434**

(58) **Field of Classification Search** ..... D24/108,  
D24/117, 121, 224, 232; D9/434-435, 440,  
D9/445, 447, 449; 206/515; 220/200, 203.02,  
220/203.04, 203.09, 203.12, 203.13-203.14;  
210/335, 435; 604/317, 319-324, 326  
See application file for complete search history.

(56) **References Cited**

**U.S. PATENT DOCUMENTS**

4,347,946 A \* 9/1982 Nichols ..... 604/319  
5,665,080 A \* 9/1997 Vandenberg ..... 604/319

7,615,037 B2 \* 11/2009 Murray et al. .... 604/319  
7,806,879 B2 \* 10/2010 Brooks et al. .... 604/319  
7,854,729 B2 \* 12/2010 Romano et al. .... 604/317  
D644,317 S \* 8/2011 Tsao ..... D24/108  
8,118,795 B2 \* 2/2012 Romano et al. .... 604/317  
2008/0015526 A1 \* 1/2008 Reiner et al. .... 604/320  
2009/0101219 A1 \* 4/2009 Martini et al. .... 220/361  
2011/0139667 A1 \* 6/2011 Burgess et al. .... 206/515

\* cited by examiner

*Primary Examiner* — Wan Laymon

(74) *Attorney, Agent, or Firm* — Seager Tufte & Wickhem LLC

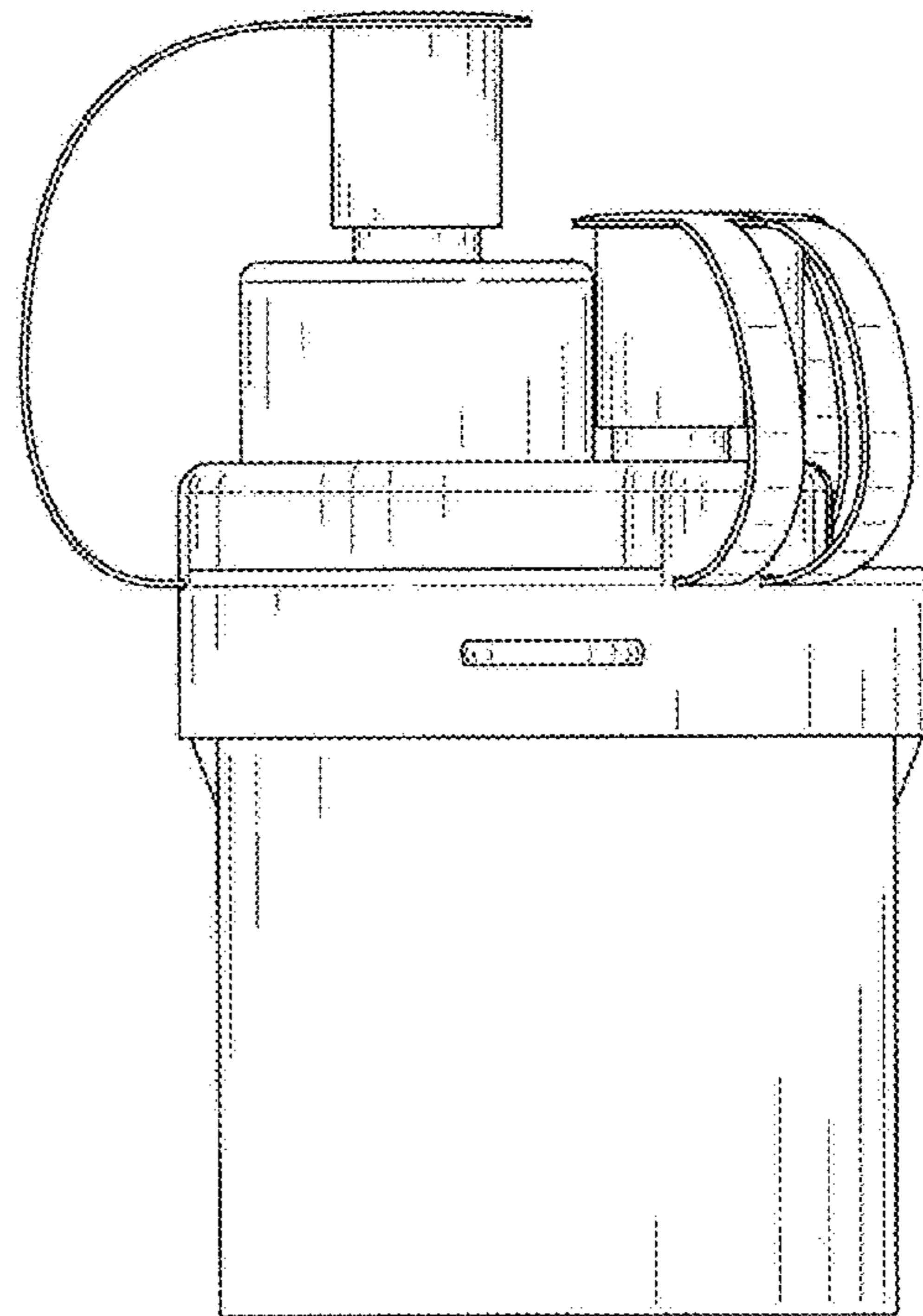
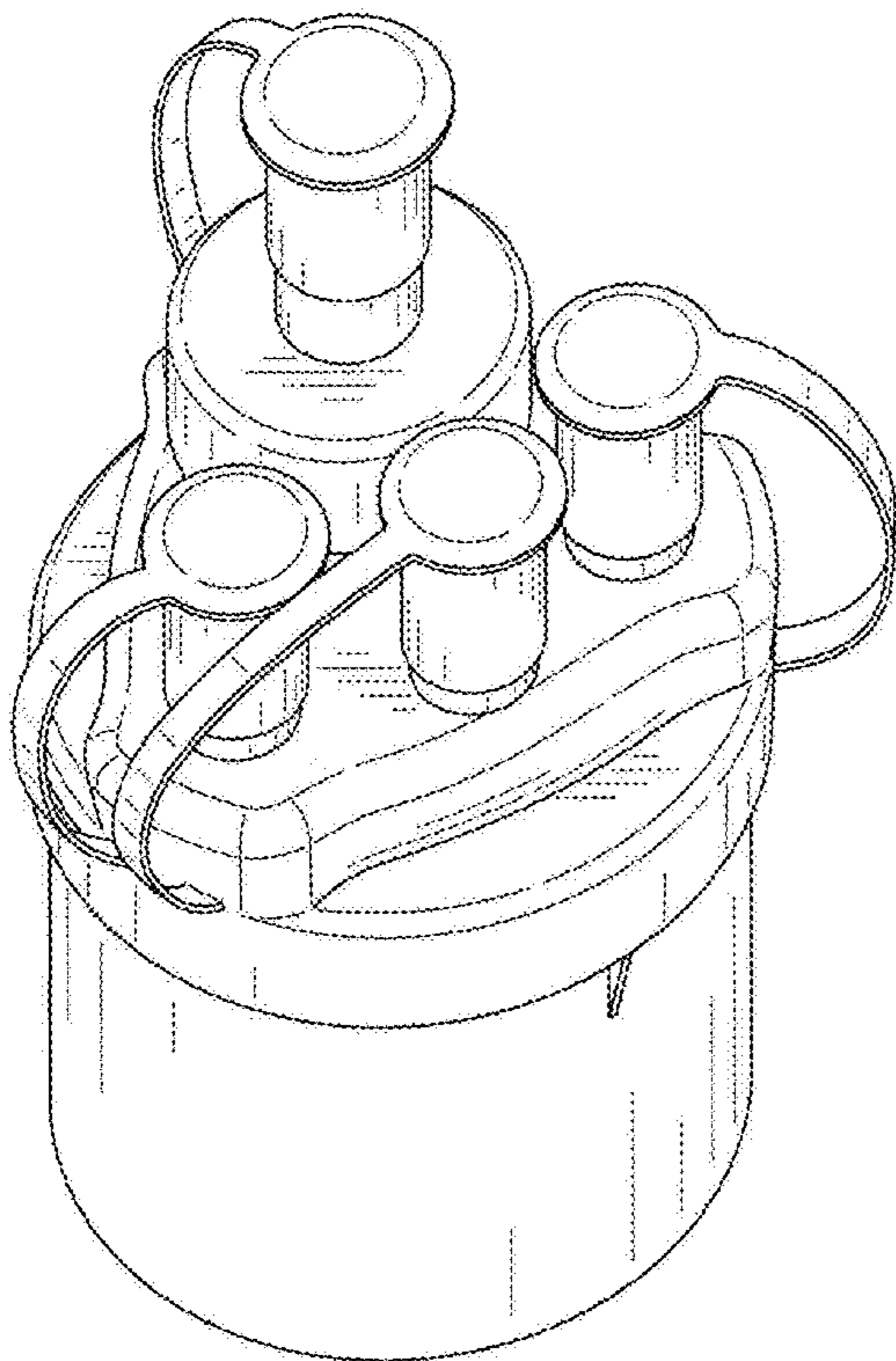
(57) **CLAIM**

The ornamental design for a canister lid insert, as shown and described.

**DESCRIPTION**

FIG. 1 is a perspective view of the canister lid insert; FIG. 2 is a front elevational view of the canister lid insert; FIG. 3 is a rear elevational view of the canister lid insert; FIG. 4 is a left side elevational view of the canister lid insert; FIG. 5 is a right side elevational view of the canister lid insert; FIG. 6 is a top plan view of the canister lid insert; and, FIG. 7 is a bottom plan view of the canister lid insert. The features shown in broken lines form no part of the claimed design.

**1 Claim, 4 Drawing Sheets**



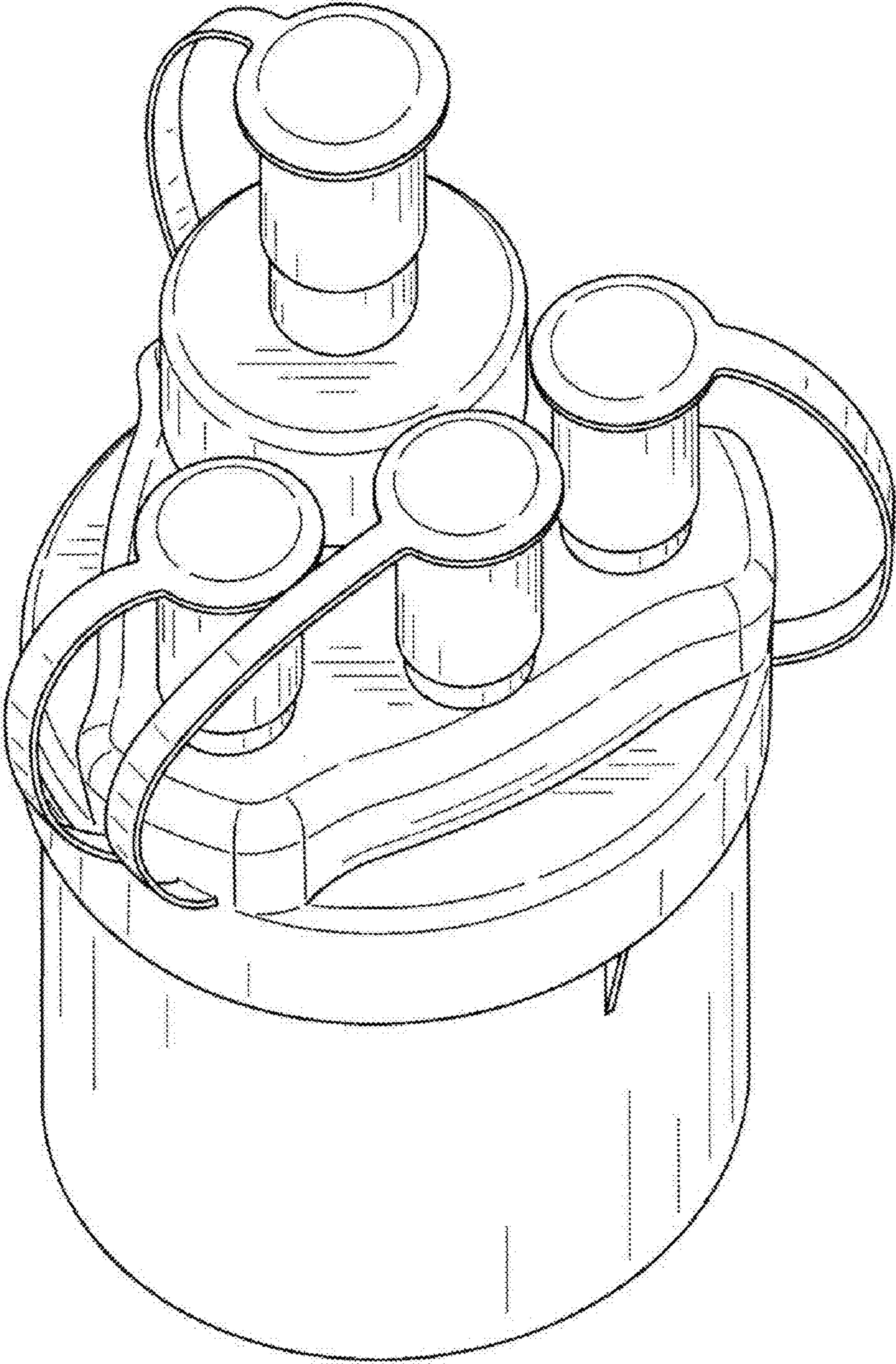


FIG. 1

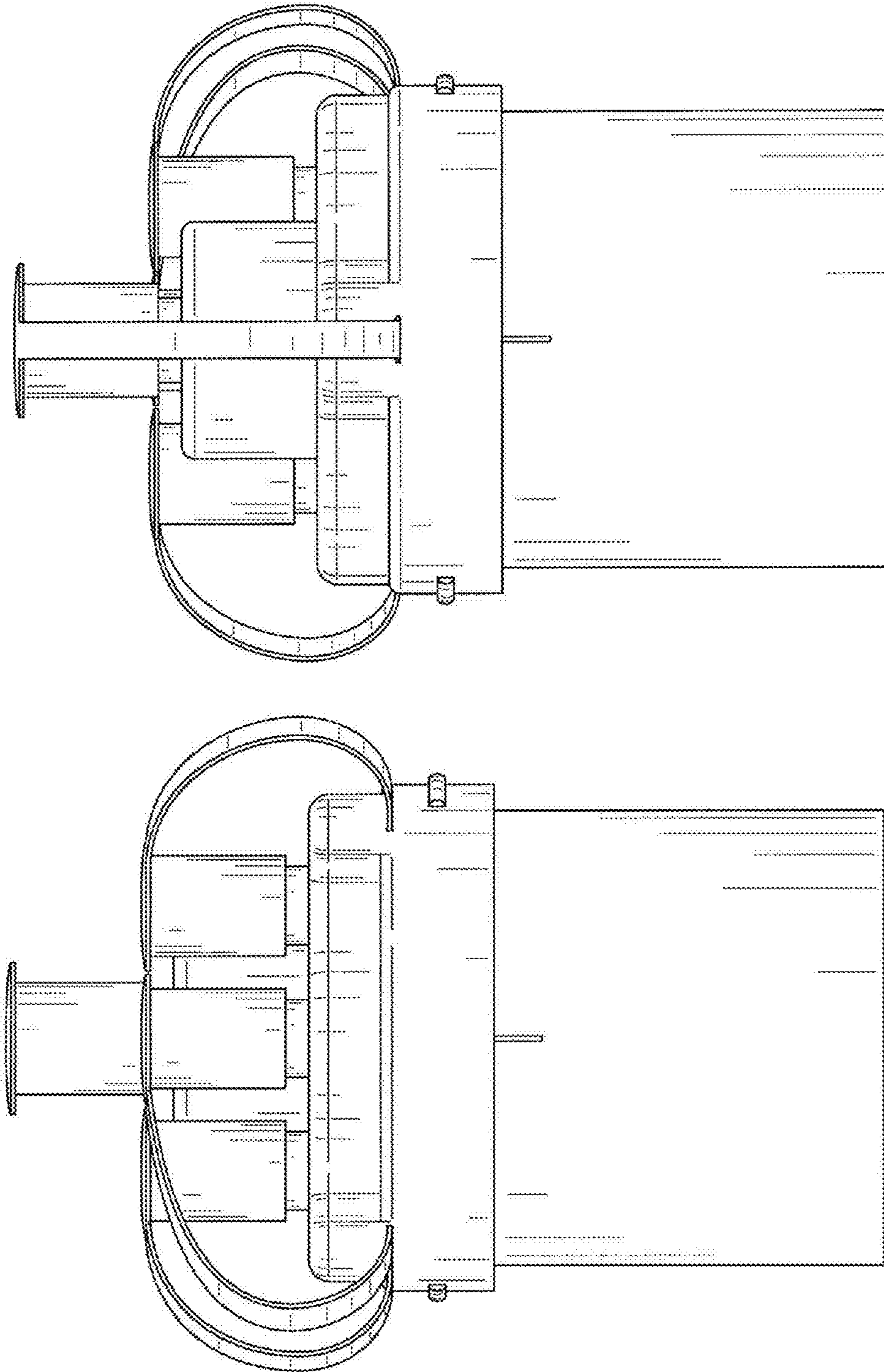


FIG. 3

FIG. 2

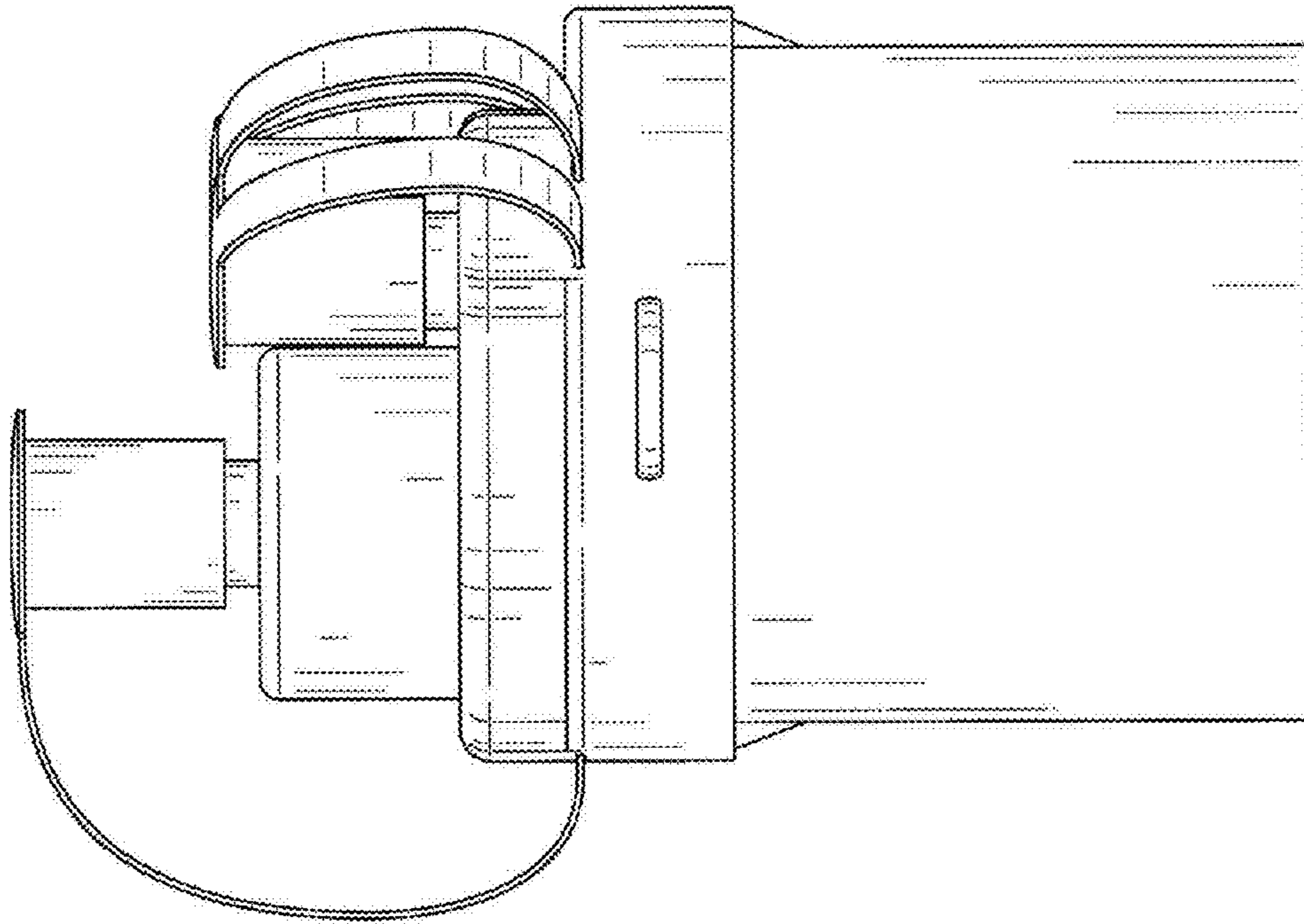


FIG. 4

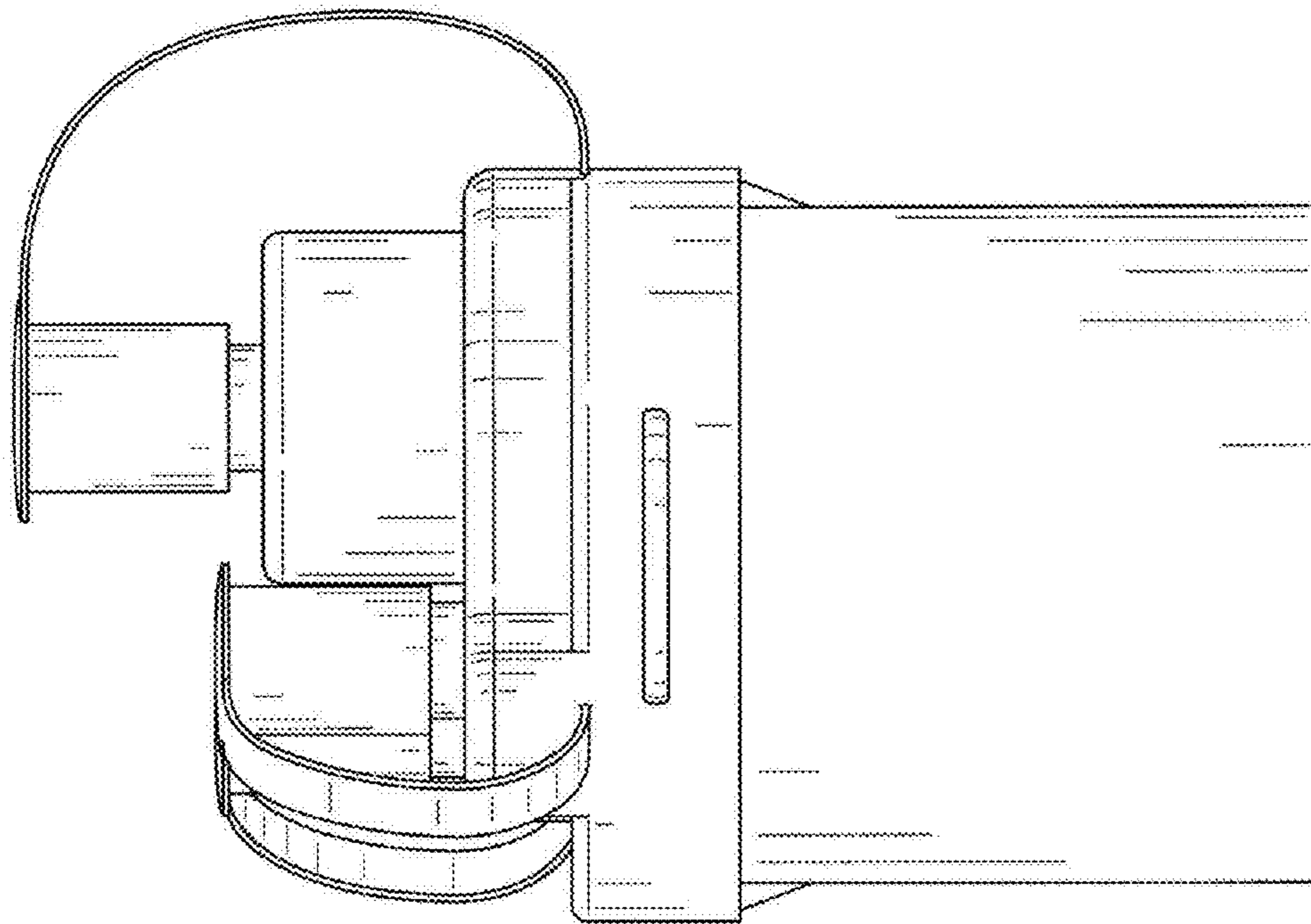


FIG. 5

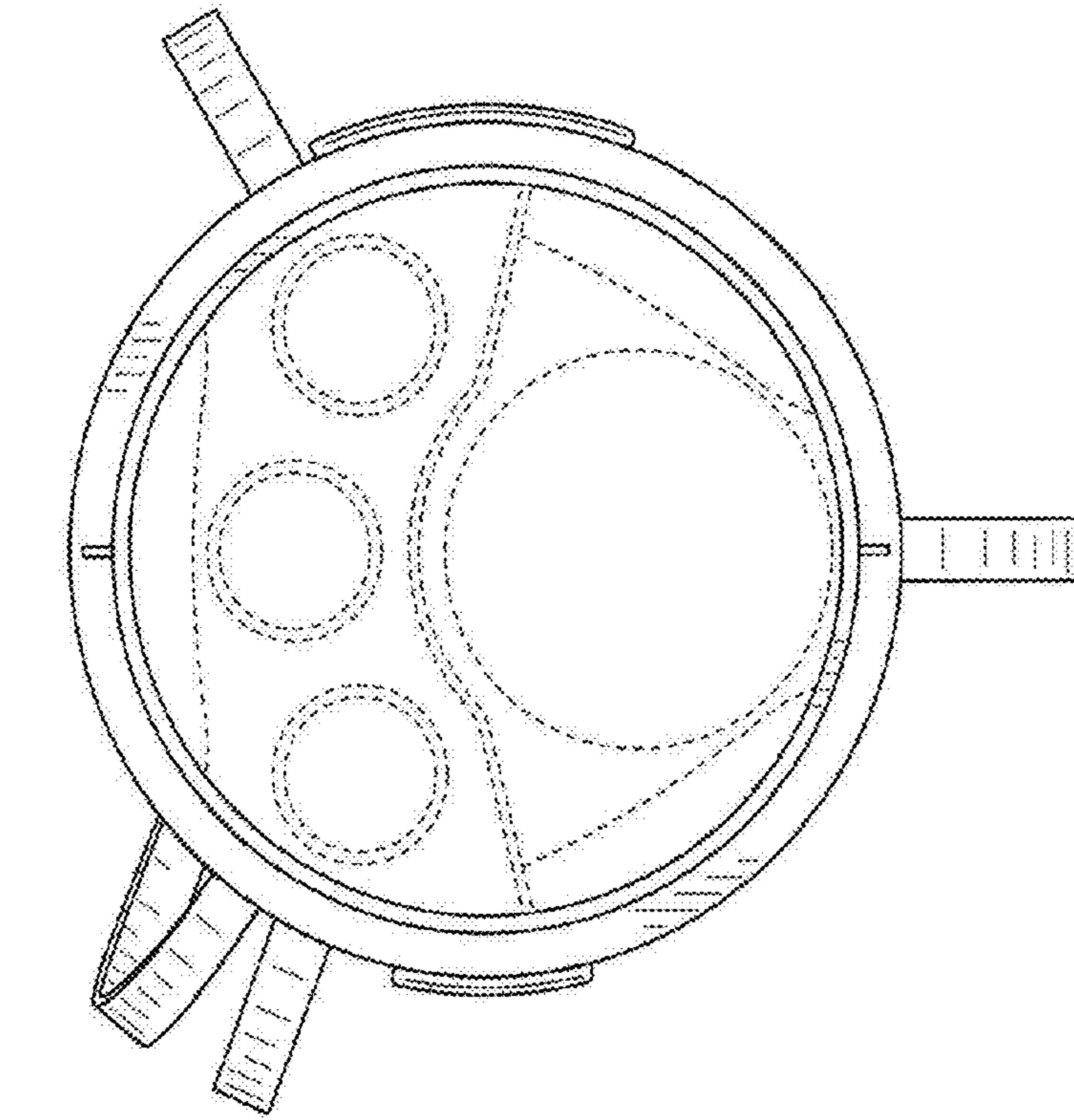


FIG. 6

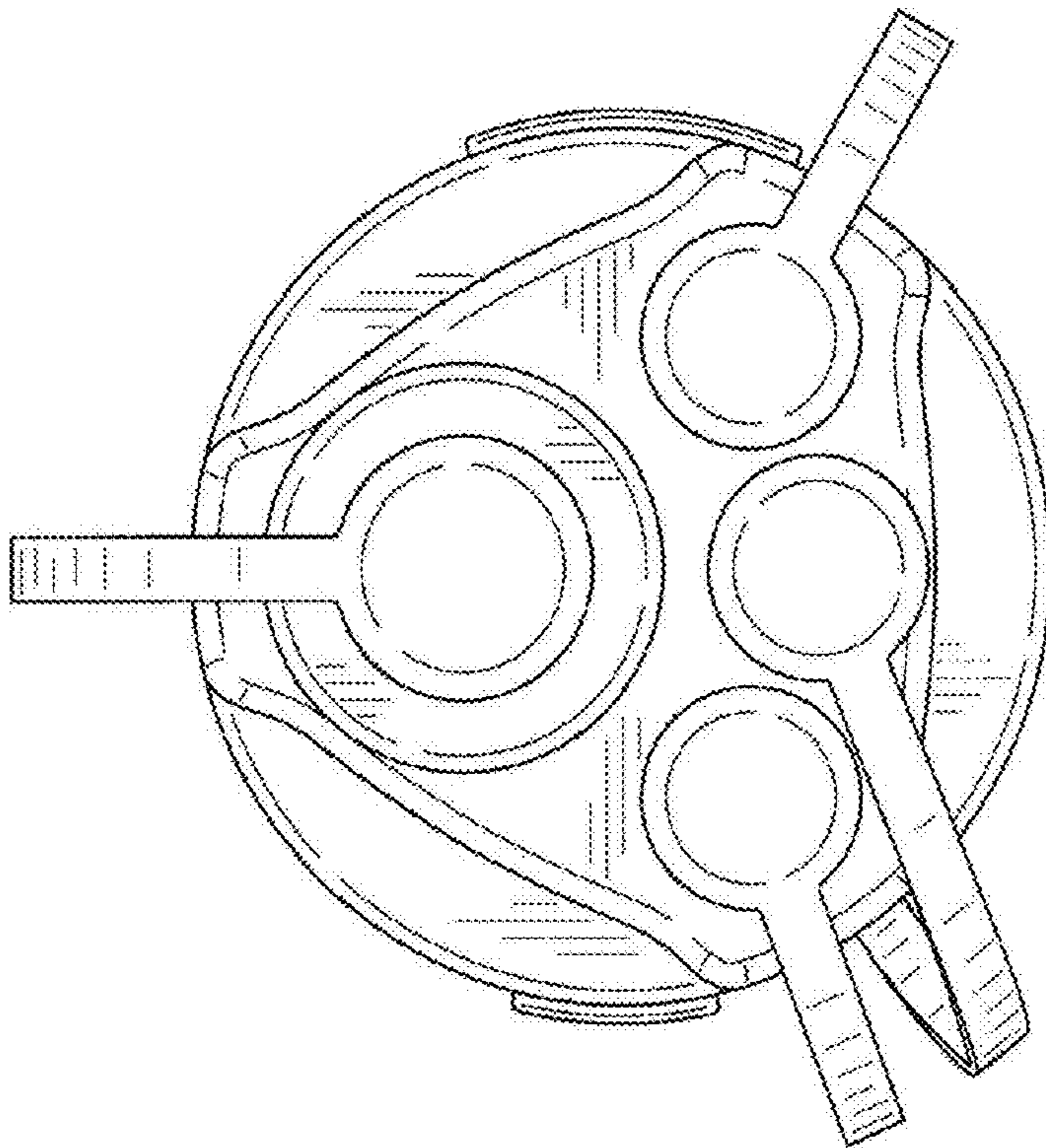


FIG. 7