



US00D678499S

(12) **United States Design Patent**
Pan

(10) **Patent No.:** **US D678,499 S**

(45) **Date of Patent:** **** Mar. 19, 2013**

(54) **CEILING FAN MOTOR HOUSING AND LIGHT KIT**

(75) Inventor: **Peter Pan**, Taichung (TW)

(73) Assignee: **Air Cool Industrial Co., Ltd.**, Taichung (TW)

(**) Term: **14 Years**

(21) Appl. No.: **29/408,115**

(22) Filed: **Dec. 7, 2011**

(51) **LOC (9) Cl.** **23-04**

(52) **U.S. Cl.** **D23/411; D26/59**

(58) **Field of Classification Search** D23/328,
D23/355, 370, 377, 379, 385, 386, 411; D26/59;
416/5, 63, 93 R, 99, 170 R, 210 R, 223 R,
416/242, 243

See application file for complete search history.

(56) **References Cited**

U.S. PATENT DOCUMENTS

| | | | | | |
|-----------|------|---------|-----------------|-------|-----------|
| D328,638 | S * | 8/1992 | Hsieh | | D23/377 |
| D414,856 | S * | 10/1999 | Zuege | | D23/377 |
| D425,610 | S * | 5/2000 | Gee, II | | D23/377 |
| D453,563 | S * | 2/2002 | Bogazzi | | D23/377 |
| 6,913,443 | B2 * | 7/2005 | Chen | | 416/99 |
| D515,693 | S * | 2/2006 | Frampton et al. | | D23/411 |
| D516,198 | S * | 2/2006 | Frampton et al. | | D23/411 |
| D519,625 | S * | 4/2006 | Young | | D23/377 |
| 7,052,242 | B2 * | 5/2006 | Chen | | 417/423.3 |

| | | | | | |
|--------------|------|--------|-------------|-------|---------|
| D523,952 | S * | 6/2006 | Ertze | | D23/411 |
| D527,451 | S * | 8/2006 | Glasbrenner | | D23/377 |
| D598,533 | S * | 8/2009 | Smith | | D23/377 |
| 2009/0129974 | A1 * | 5/2009 | McEllen | | 422/24 |

* cited by examiner

Primary Examiner — Janice Seeger

Assistant Examiner — Martie K Holtje

(74) *Attorney, Agent, or Firm* — Ming Chow; Sinorica, LLC

(57) **CLAIM**

I claim the ornamental design for a ceiling fan motor housing and light kit, as shown and described.

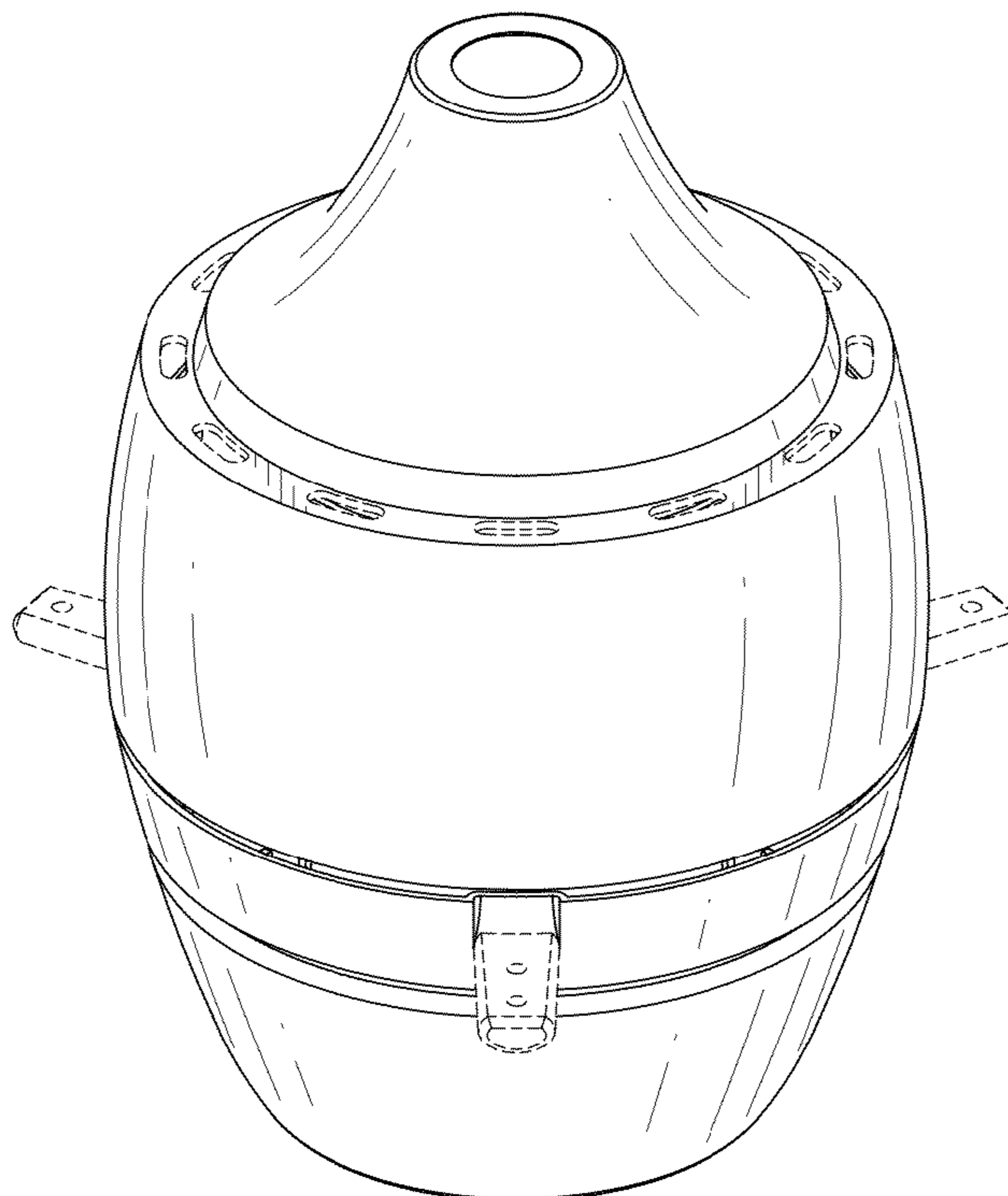
DESCRIPTION

FIG. 1 is a front perspective view of a ceiling fan motor housing and light kit showing my new design; FIG. 2 is a front elevational view thereof; FIG. 3 is a rear elevational view thereof. FIG. 4 is a left side elevational view thereof; FIG. 5 is a right side elevational view thereof; FIG. 6 is a top plan view thereof; and, FIG. 7 is a bottom plan view thereof.

The broken lines showing structural features have been included for the purpose of illustrating portions of the ceiling fan motor housing and light kit that form no part of the claimed design.

The broken lines in FIG. 7 represent the boundary between claimed and unclaimed subject matter. The area within the broken lines forms no part of the claimed design.

1 Claim, 4 Drawing Sheets



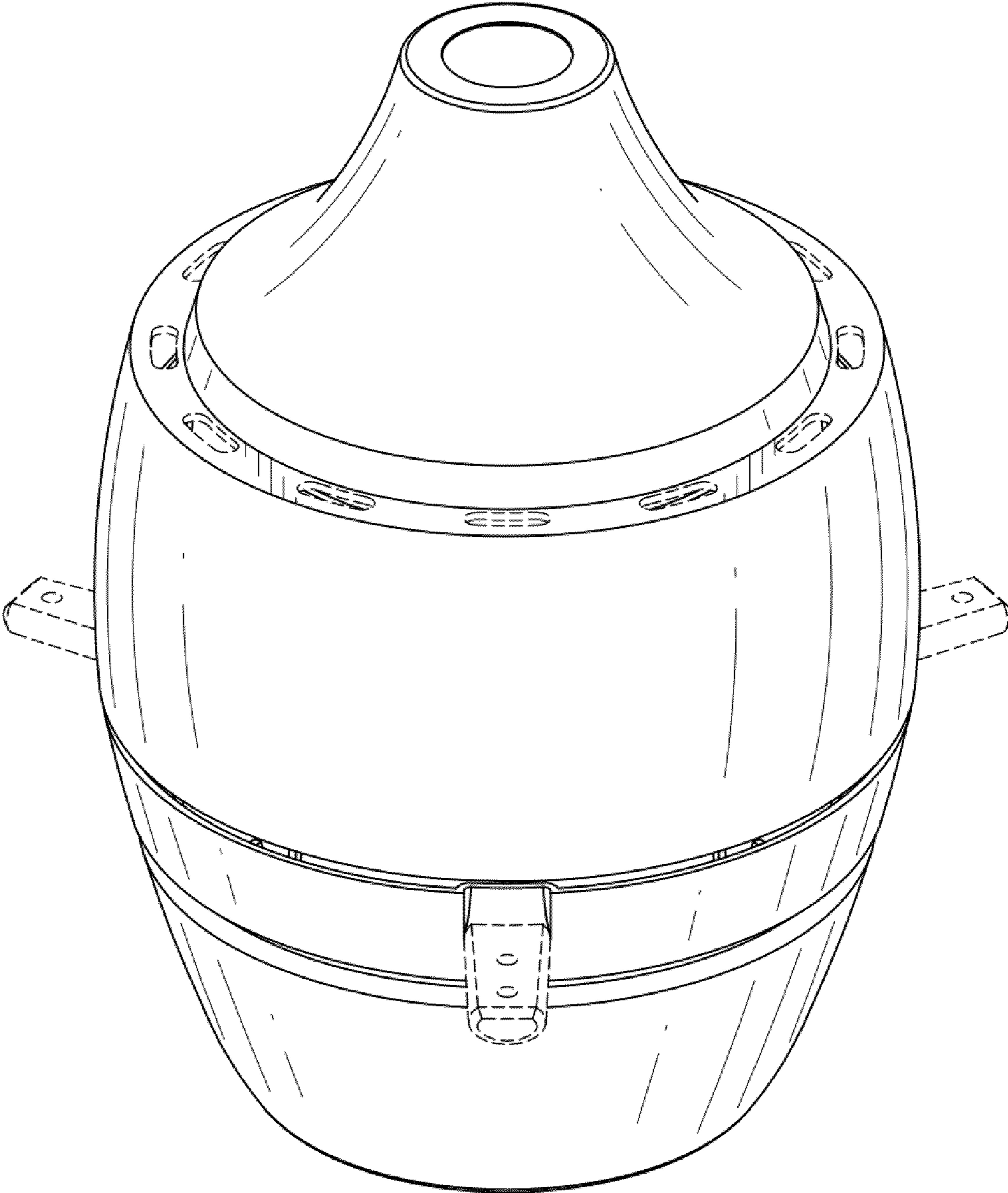


FIG. 1

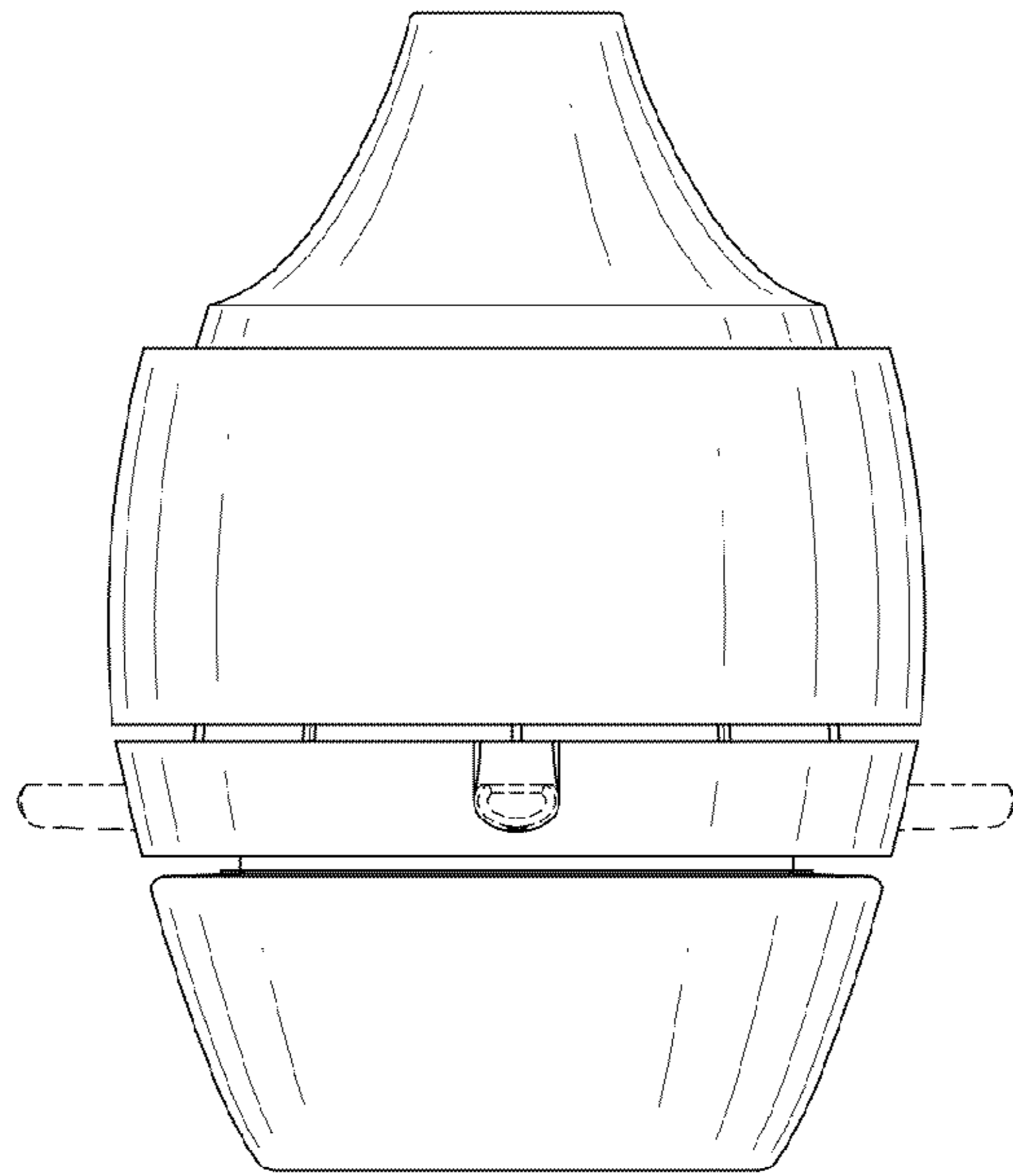


FIG. 2

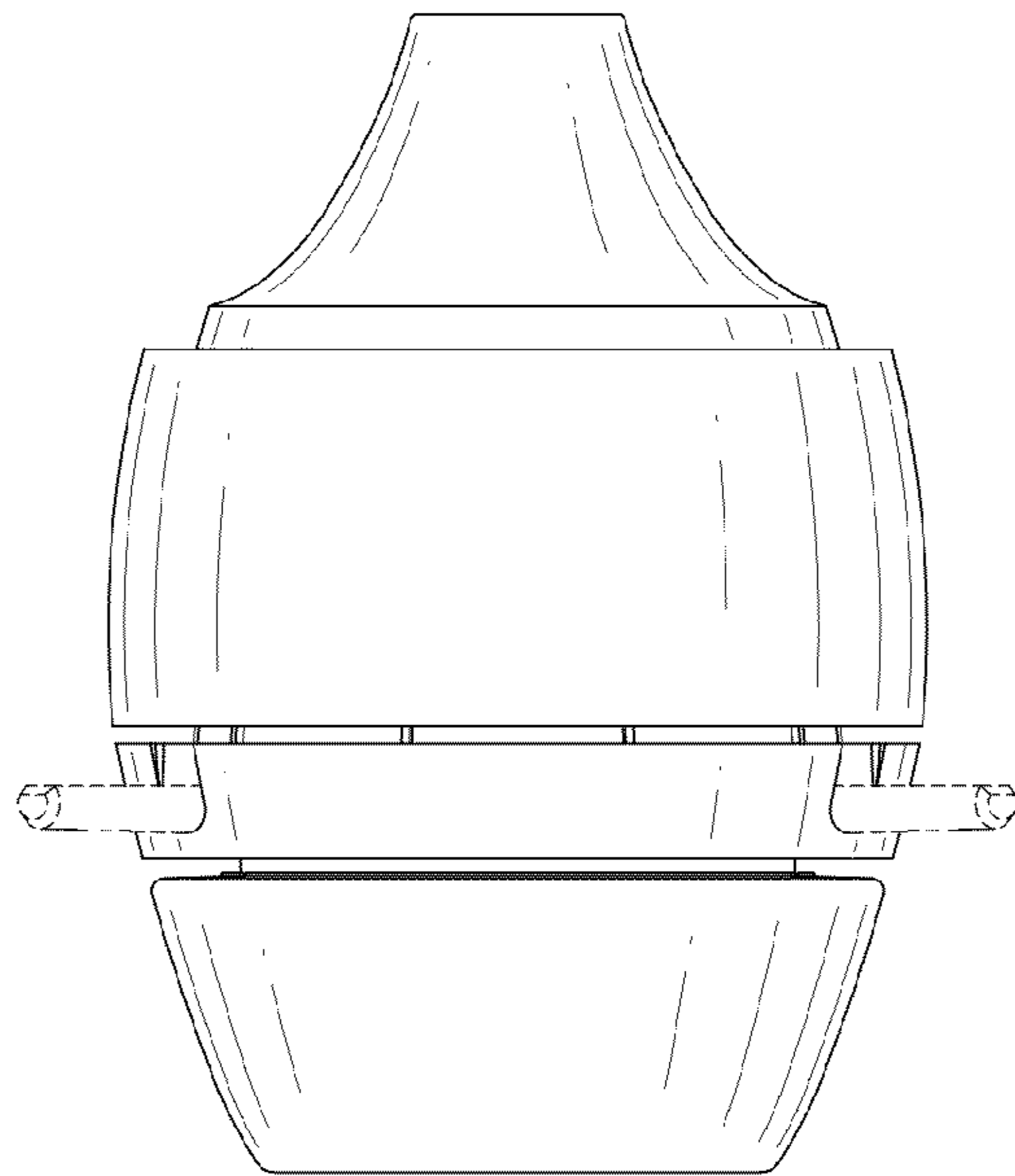


FIG. 3

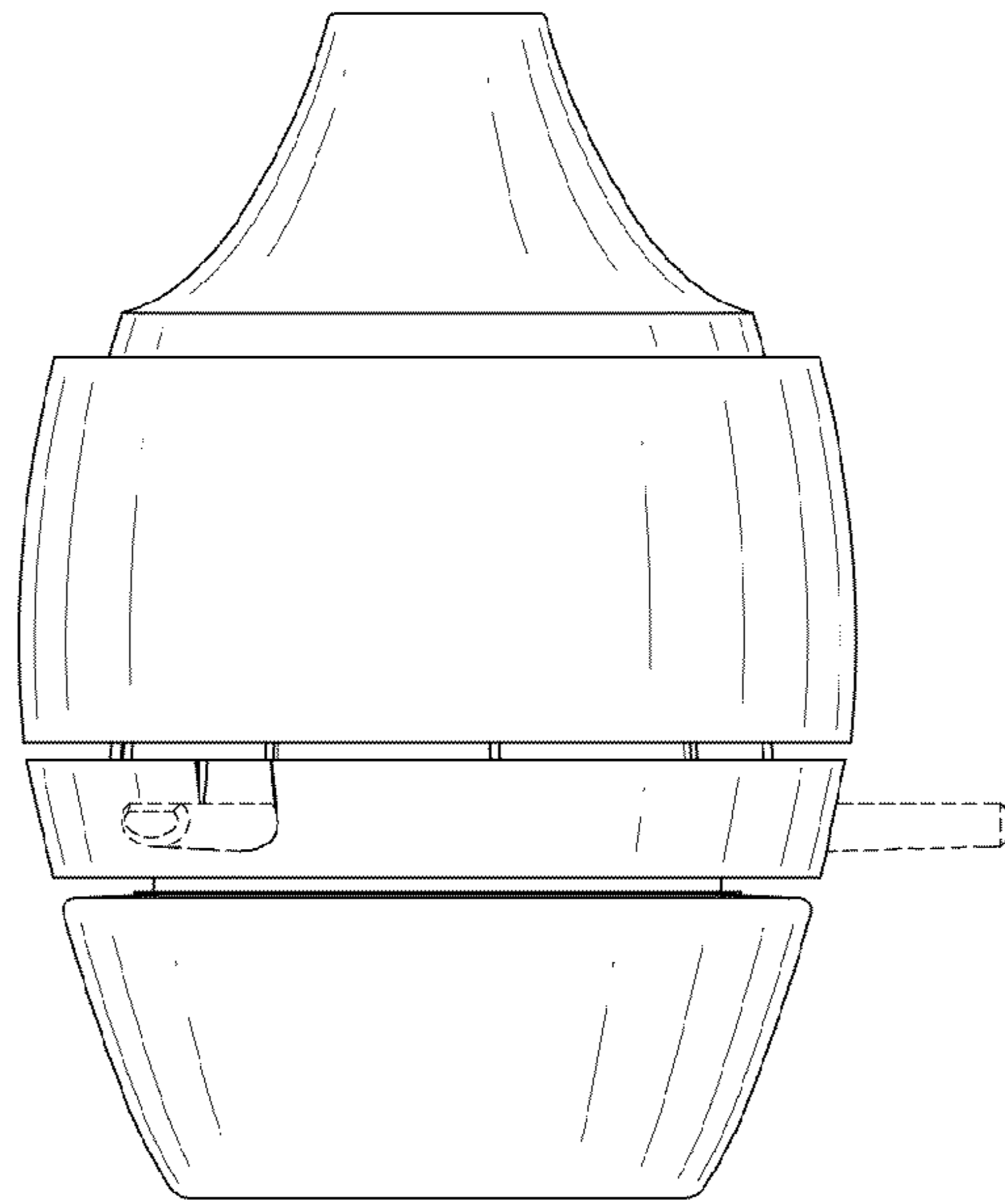


FIG. 4

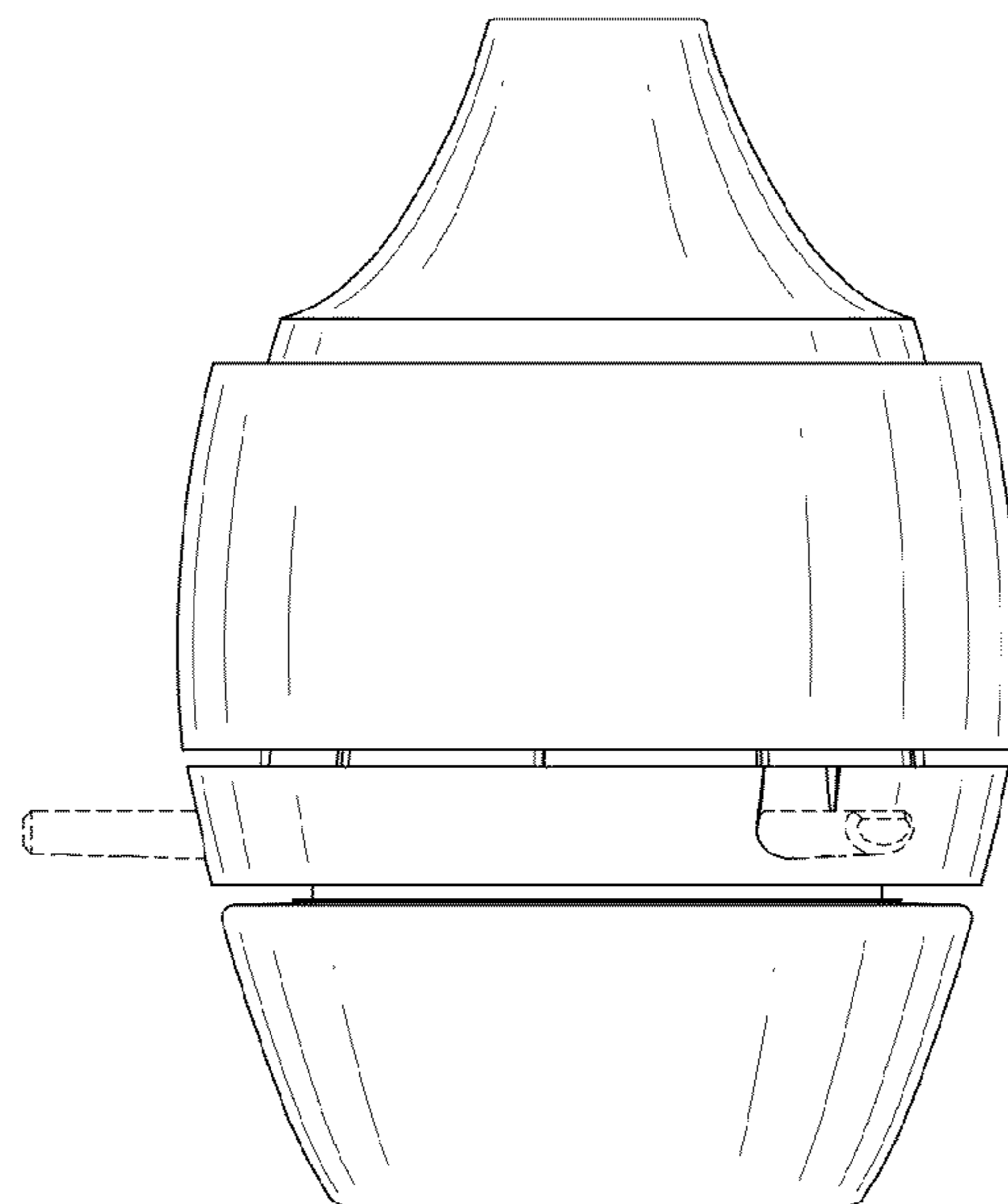


FIG. 5

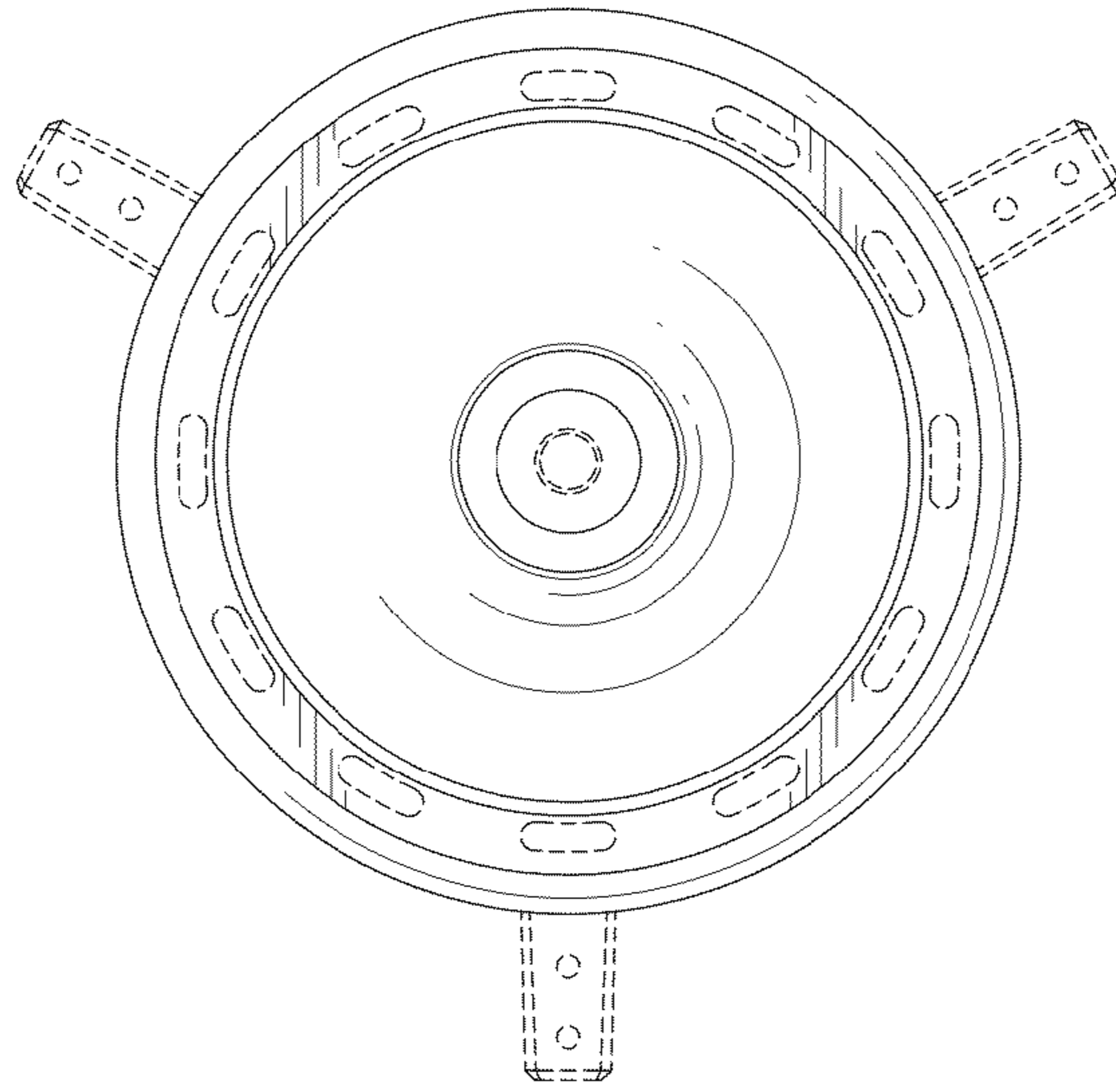


FIG. 6

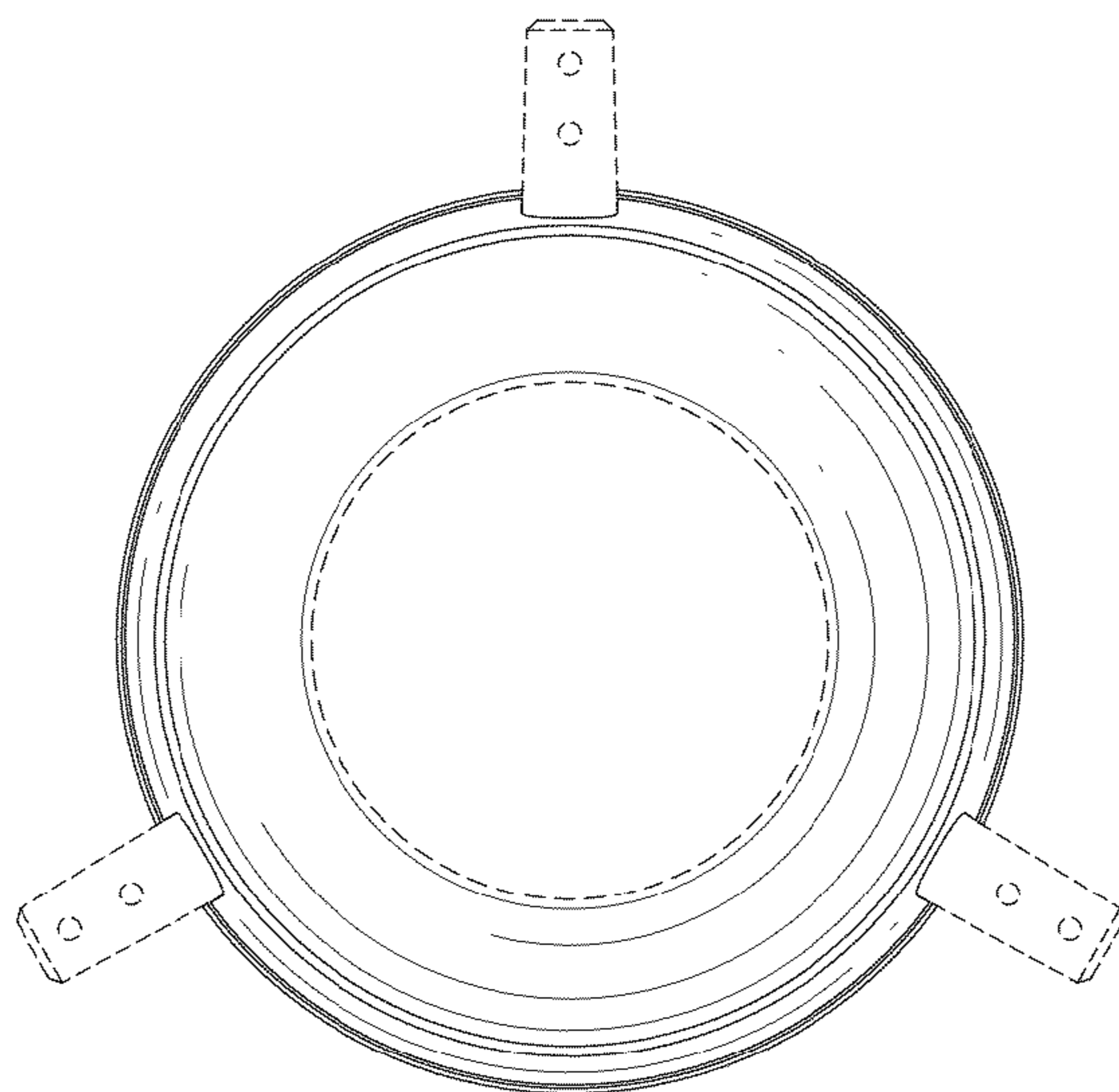


FIG. 7