



US00D678498S

(12) **United States Design Patent**
Proulx

(10) **Patent No.:** **US D678,498 S**
(45) **Date of Patent:** **** Mar. 19, 2013**

(54) **FLAT ROOF VENTILATOR**

(76) Inventor: **Guy Proulx, Quebec (CA)**

(**) Term: **14 Years**

(21) Appl. No.: **29/399,543**

(22) Filed: **Aug. 16, 2011**

(30) **Foreign Application Priority Data**

Jul. 8, 2011 (CA) 141294

(51) **LOC (9) Cl.** **23-04**

(52) **U.S. Cl.** **D23/373**

(58) **Field of Classification Search** D13/179;
D23/370-394, 411-414; D26/51, 59, 72,
D26/81-86; 34/169; 52/302.1, 302.7; 55/DIG. 36;
123/41.7; 126/58, 60, 61, 64-66, 84, 299 D-299 F,
126/299 R, 300, 301, 312, 531; 138/118,
138/121, 172, 173, 177; 165/54, 59; 285/133.6;
392/364; 415/126, 127, 213.1, 214.1; 416/5,
416/204 R, 210 R, 234, 237, 244 R, 247 R;
454/41, 42, 233, 236, 250-253, 275-277,
454/284, 309, 367, 368

See application file for complete search history.

(56) **References Cited**

U.S. PATENT DOCUMENTS

291,919	A	*	1/1884	Mathews	D23/376
D83,411	S	*	2/1931	McCluney et al.	D23/375
D160,948	S	*	11/1950	Kisling	D23/377
D162,663	S	*	3/1951	Kisling	D23/377
3,049,068	A	*	8/1962	Rousey	D23/373
D243,851	S	*	3/1977	Felter	D23/373
D284,094	S	*	6/1986	Liniger	D23/376
5,655,964	A	*	8/1997	Rheault et al.	454/368
D609,798	S	*	2/2010	Matejczuk	D23/374

* cited by examiner

Primary Examiner — Garth Rademaker

(74) *Attorney, Agent, or Firm* — Clark & Brody

(57) **CLAIM**

The ornamental design for a flat roof ventilator, as shown and described.

DESCRIPTION

FIG. 1 is a perspective view of a flat roof ventilator, showing my new design;

FIG. 2 is a front view thereof;

FIG. 3 is a rear view thereof;

FIG. 4 is a right side view thereof;

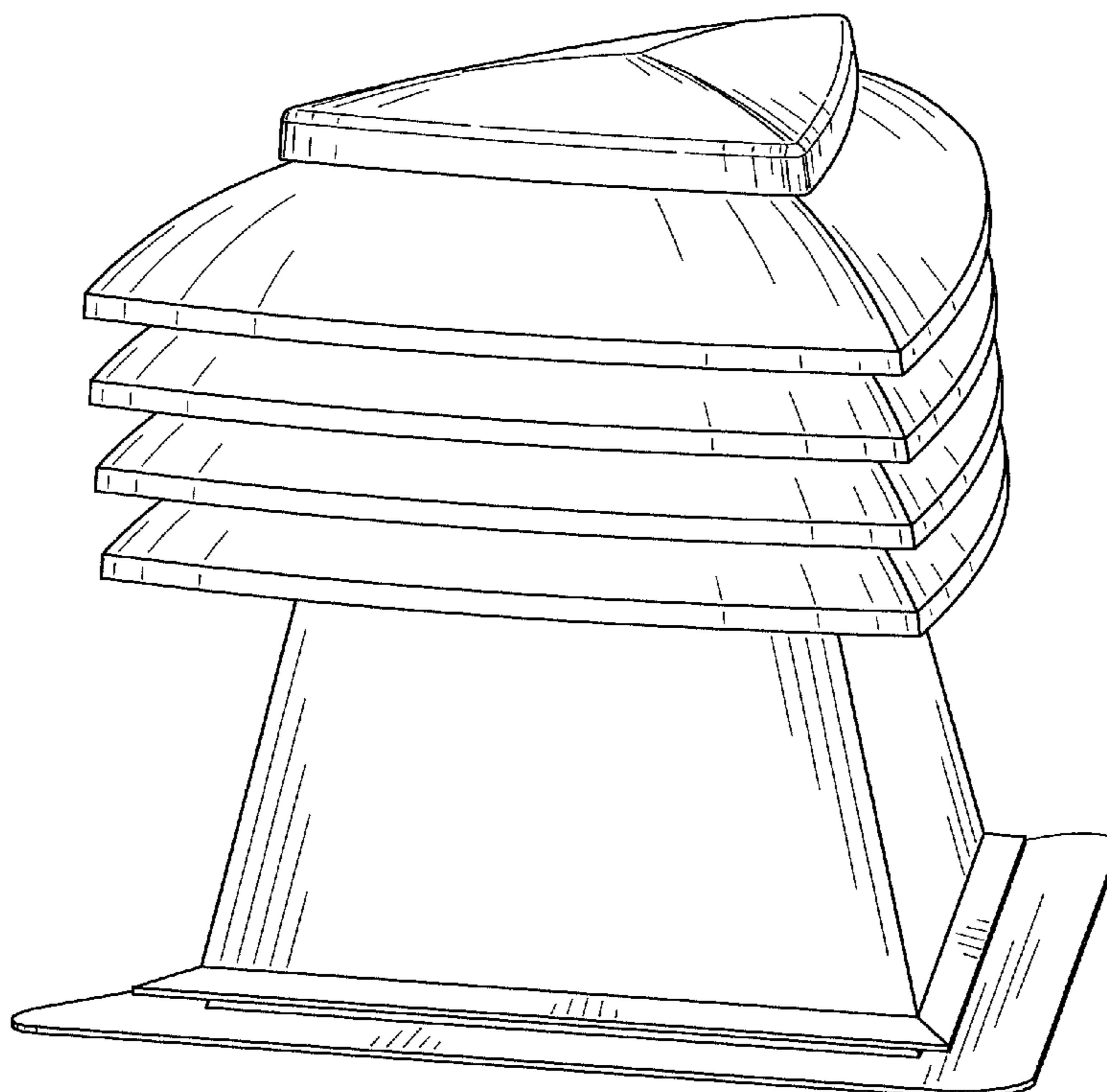
FIG. 5 is a left side view thereof;

FIG. 6 is a top view thereof; and,

FIG. 7 is a bottom view thereof.

The broken lines depict portions of the flat roof ventilator which form no part of the claimed design.

1 Claim, 7 Drawing Sheets



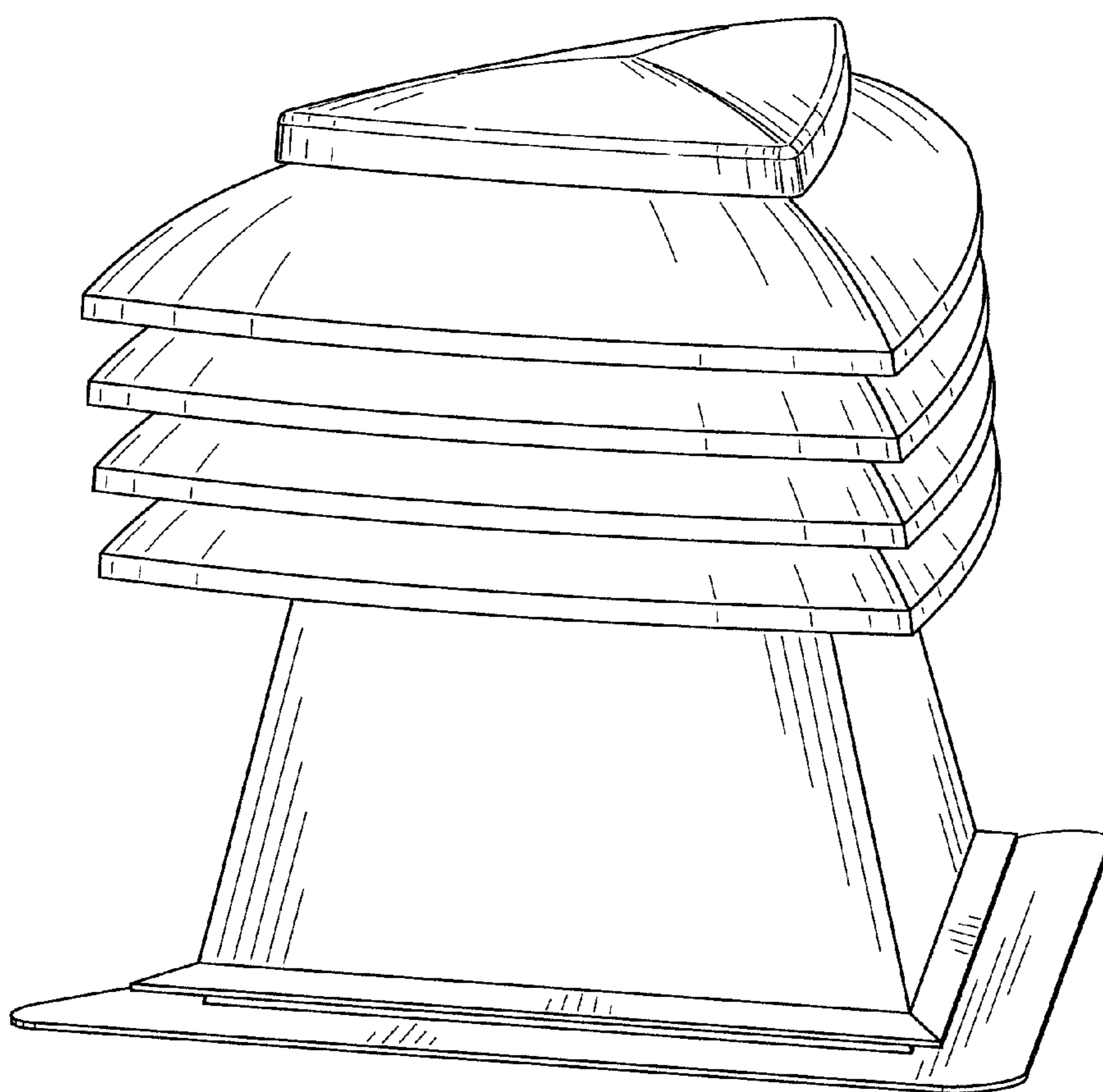


FIG. 1

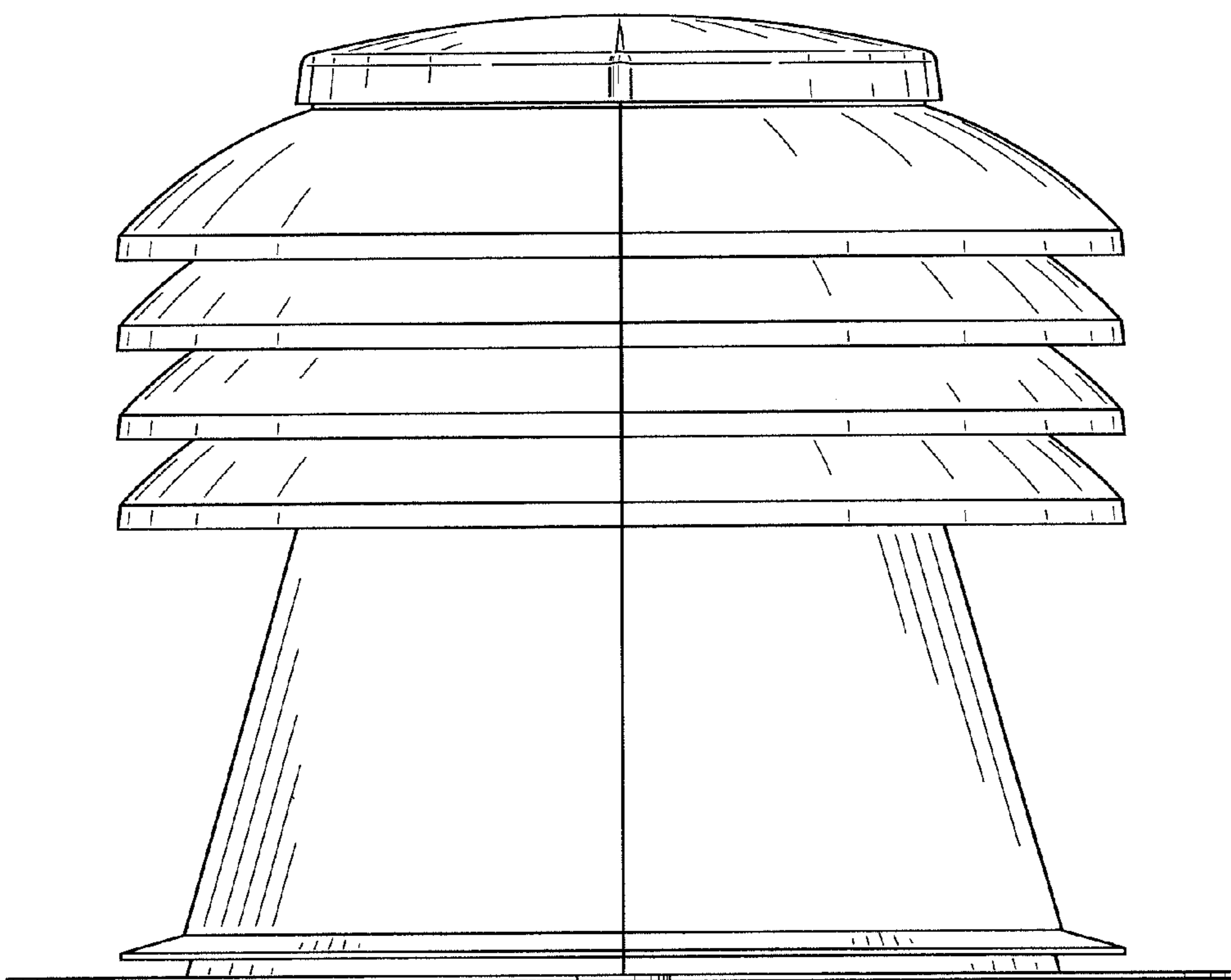


FIG. 2

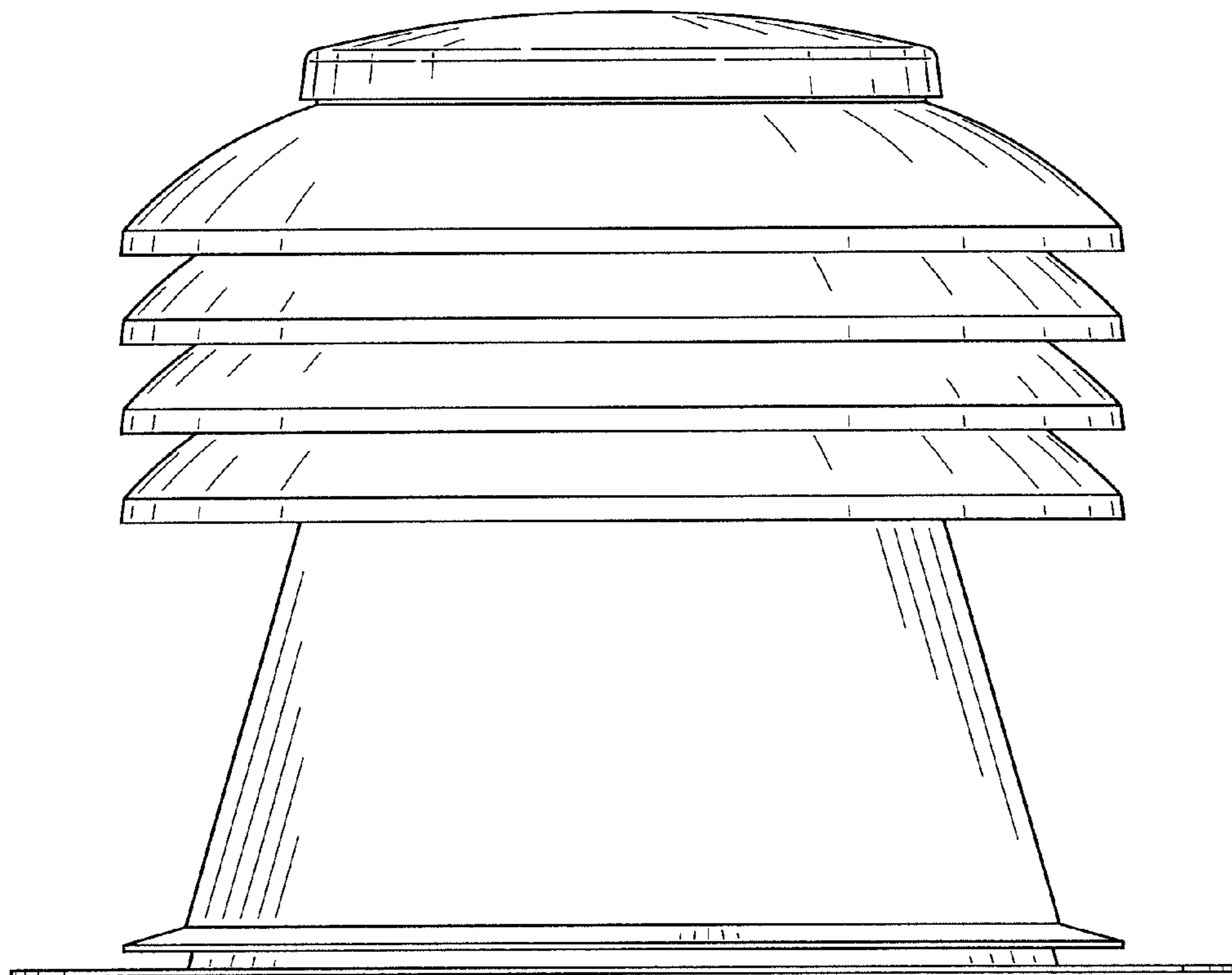


FIG. 3

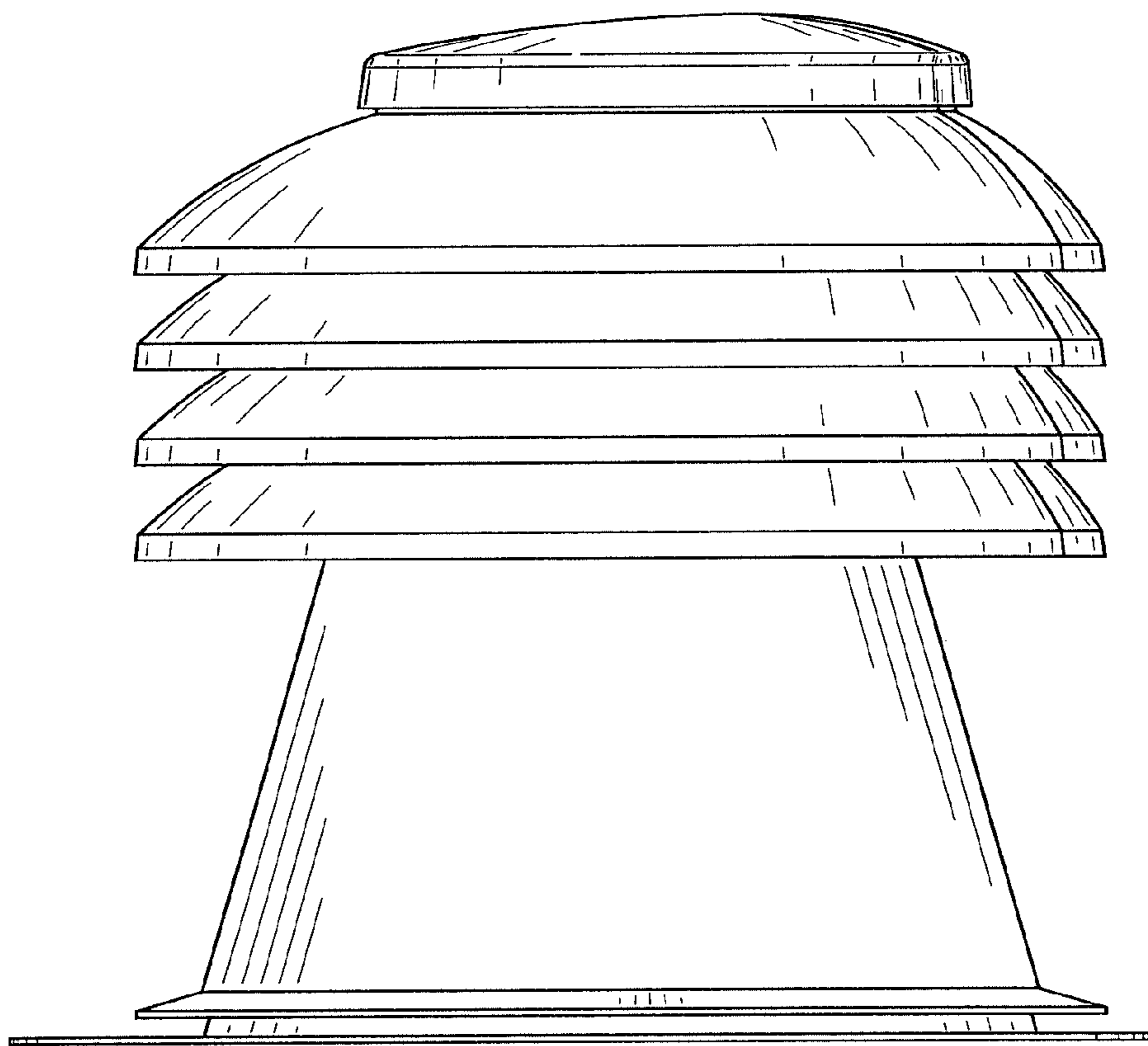


FIG. 4

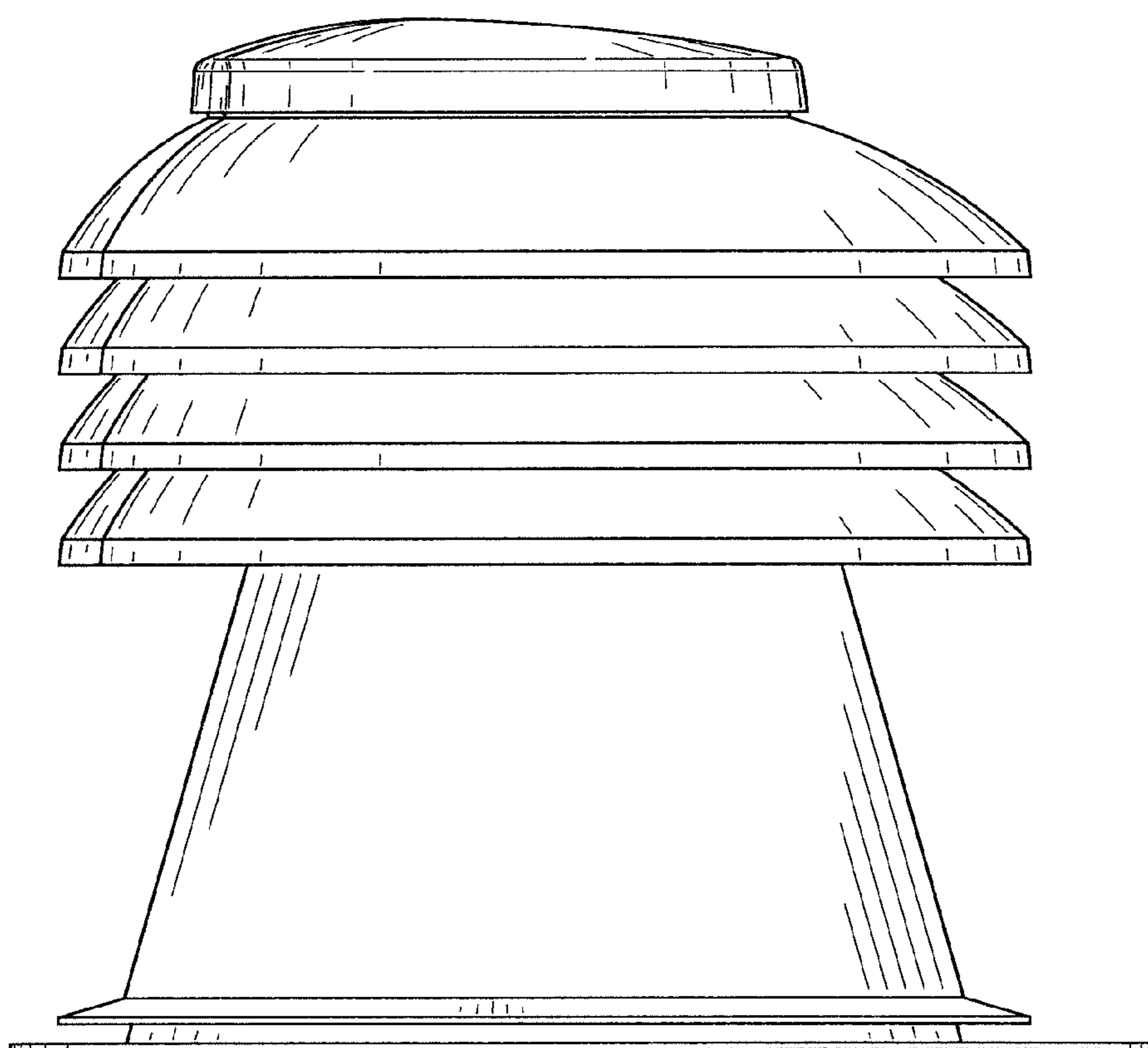


FIG. 5

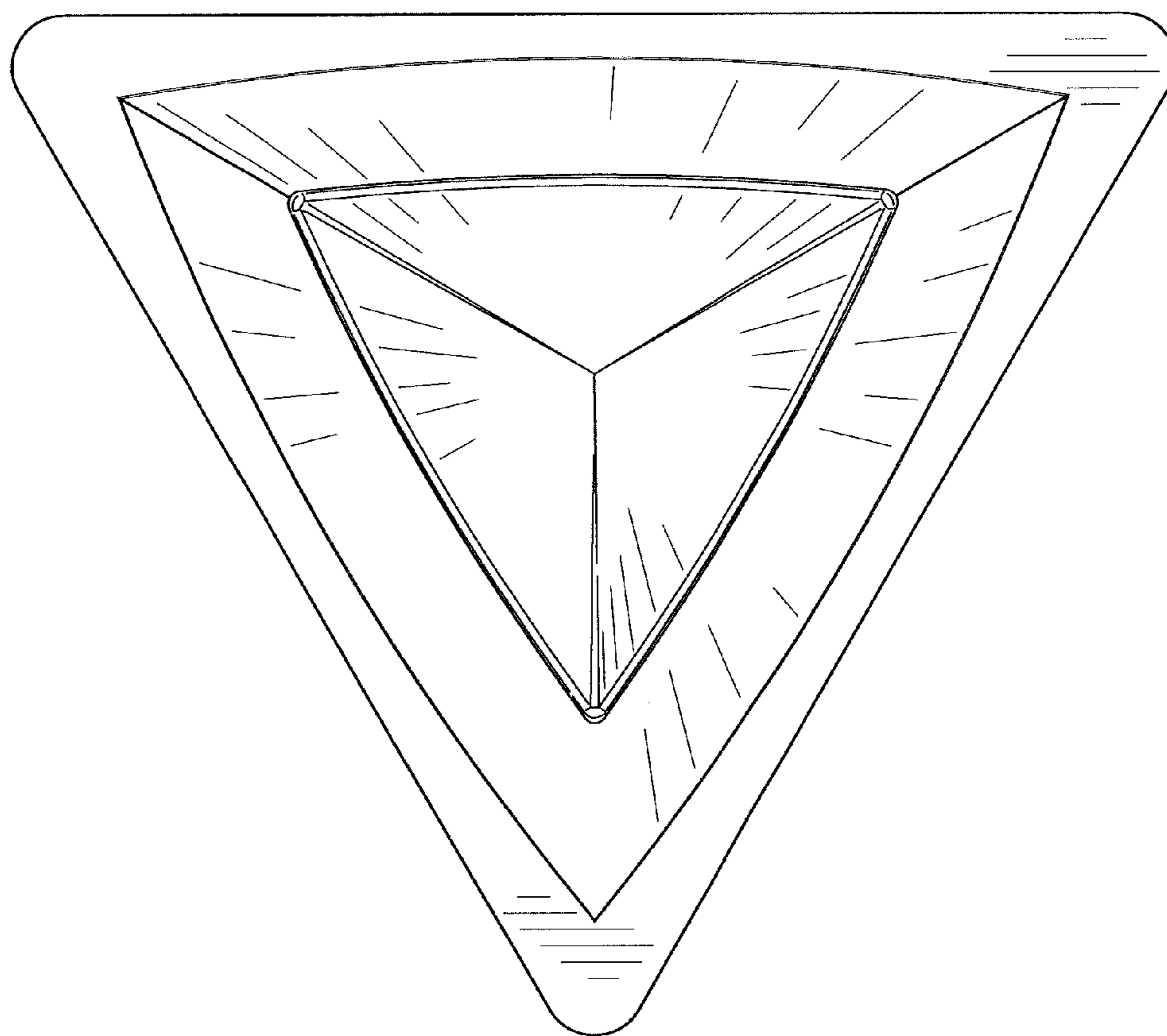


FIG. 6

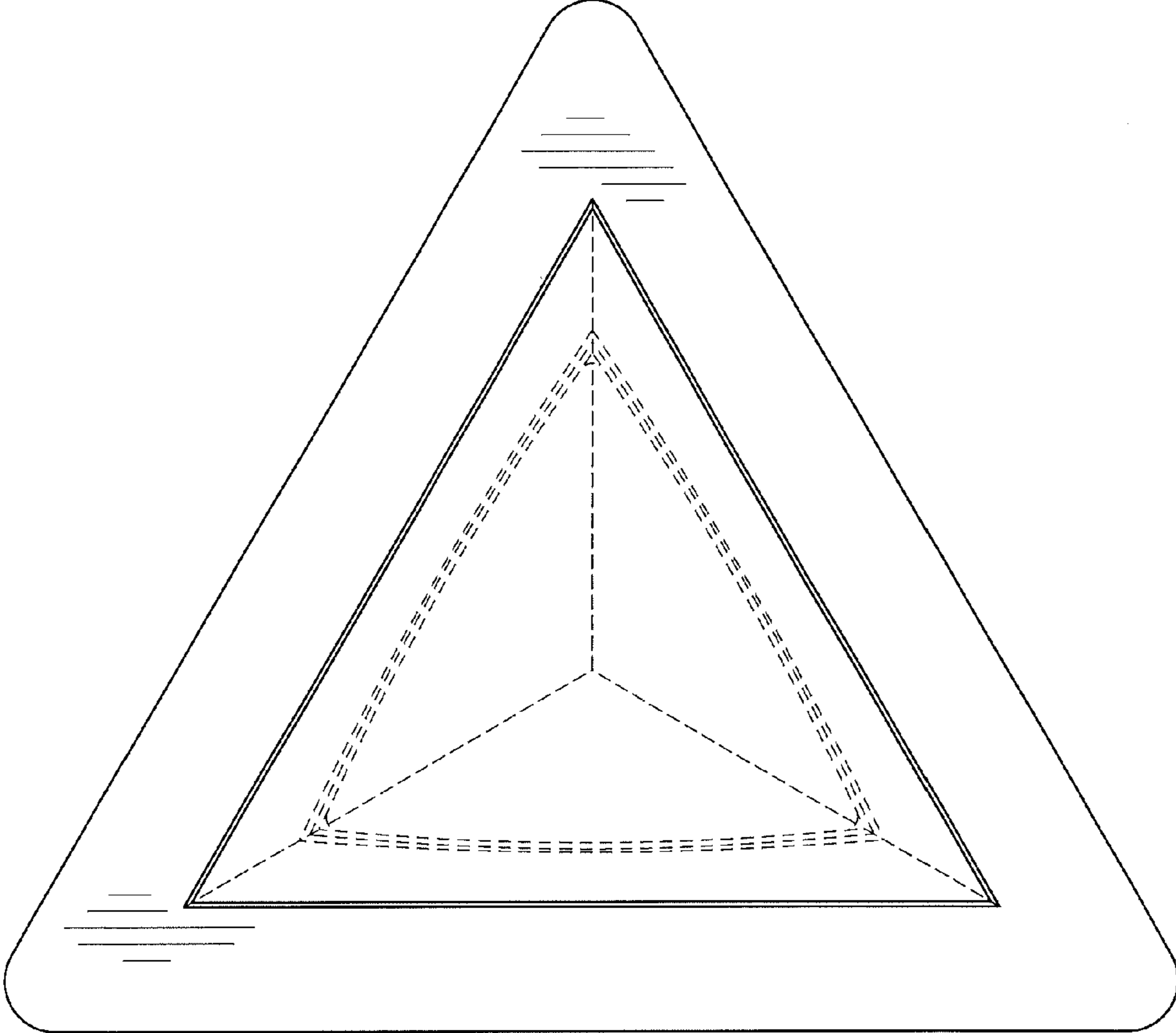


FIG. 7