



US00D678496S

(12) **United States Design Patent**
Browder

(10) **Patent No.:** **US D678,496 S**
(45) **Date of Patent:** **** Mar. 19, 2013**

(54) **FRAGRANCE DISK**

(75) Inventor: **John H. Browder**, Argyle, TX (US)

(73) Assignee: **IDC Enchanted Lighting Company, LLC**, Roanoke, TX (US)

(**) Term: **14 Years**

(21) Appl. No.: **29/428,455**

(22) Filed: **Jul. 31, 2012**

Related U.S. Application Data

(60) Division of application No. 29/411,705, filed on Jan. 25, 2012, now Pat. No. Des. 667,101, which is a continuation-in-part of application No. 29/405,474, filed on Nov. 2, 2011, now Pat. No. Des. 656,599.

(51) **LOC (9) Cl.** **28-99**

(52) **U.S. Cl.** **D23/366**

(58) **Field of Classification Search** D23/355-369;
D28/5, 6; 261/DIG. 17, DIG. 42, DIG. 65,
261/DIG. 88, DIG. 89; 392/386, 390, 394,
392/395; 239/34, 44, 53, 55, 56, 326

See application file for complete search history.

(56) **References Cited**

U.S. PATENT DOCUMENTS

6,037,574	A *	3/2000	Lanham et al.	219/544
6,775,470	B2 *	8/2004	Zobebe et al.	392/390
D565,164	S *	3/2008	Duston et al.	D23/366
D589,471	S *	3/2009	Komatsu	D13/182
D610,666	S *	2/2010	Furner et al.	D23/366
D649,237	S *	11/2011	Bilko et al.	D23/366
D653,744	S *	2/2012	Li	D23/366
D670,178	S *	11/2012	Carson	D9/756

* cited by examiner

Primary Examiner — Sandra Snapp

(74) *Attorney, Agent, or Firm* — Brian Harris

(57) **CLAIM**

The ornamental design for a fragrance disk, as shown and described.

DESCRIPTION

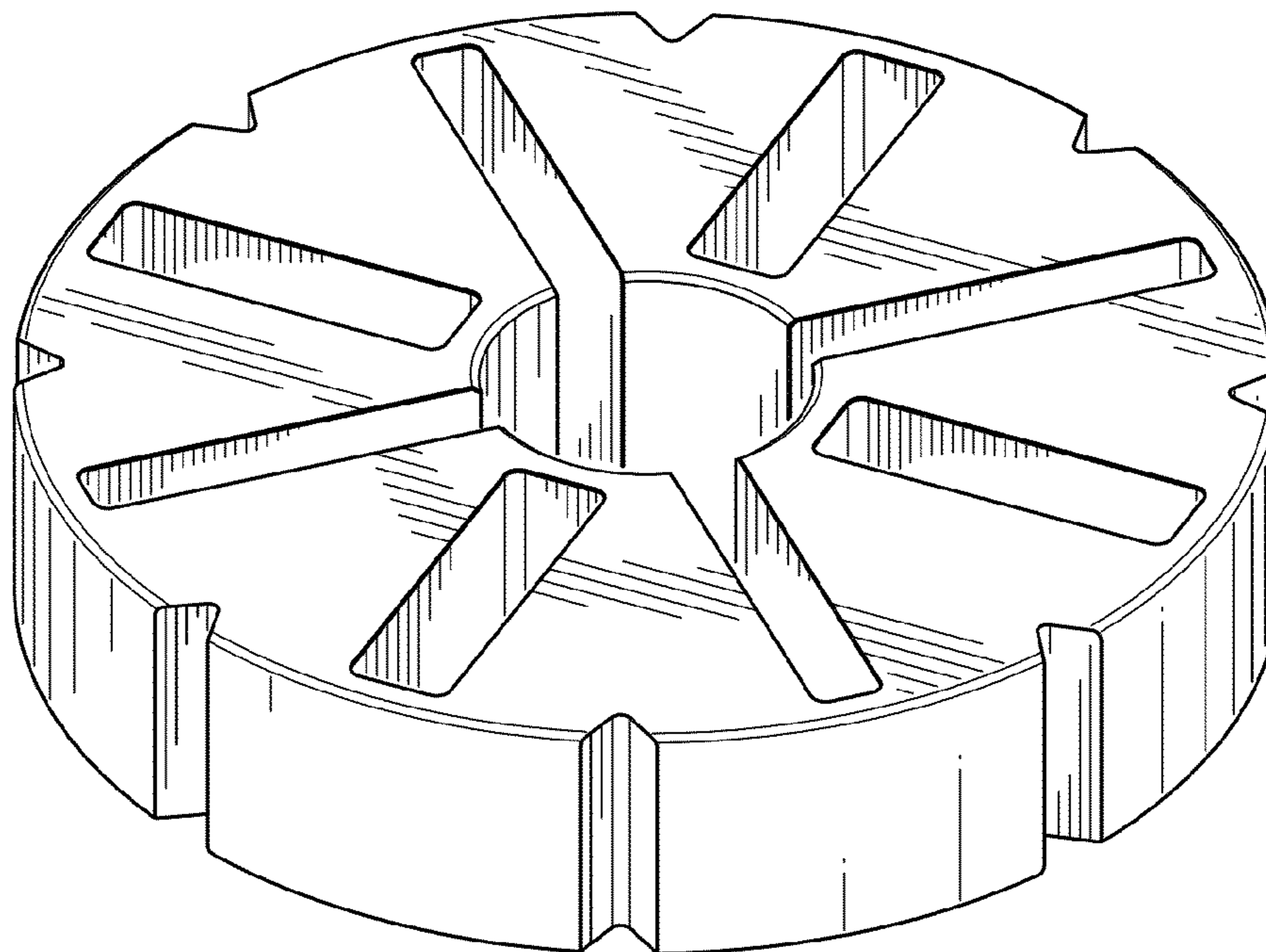
FIG. 1 is a perspective view of a fragrance disk showing my new design;

FIG. 2 is a front view thereof, the back side, left side, and right side views being identical thereto; and,

FIG. 3 is a top view thereof, the bottom view being identical thereto.

The broken lines represent unclaimed boundaries of the design.

1 Claim, 2 Drawing Sheets



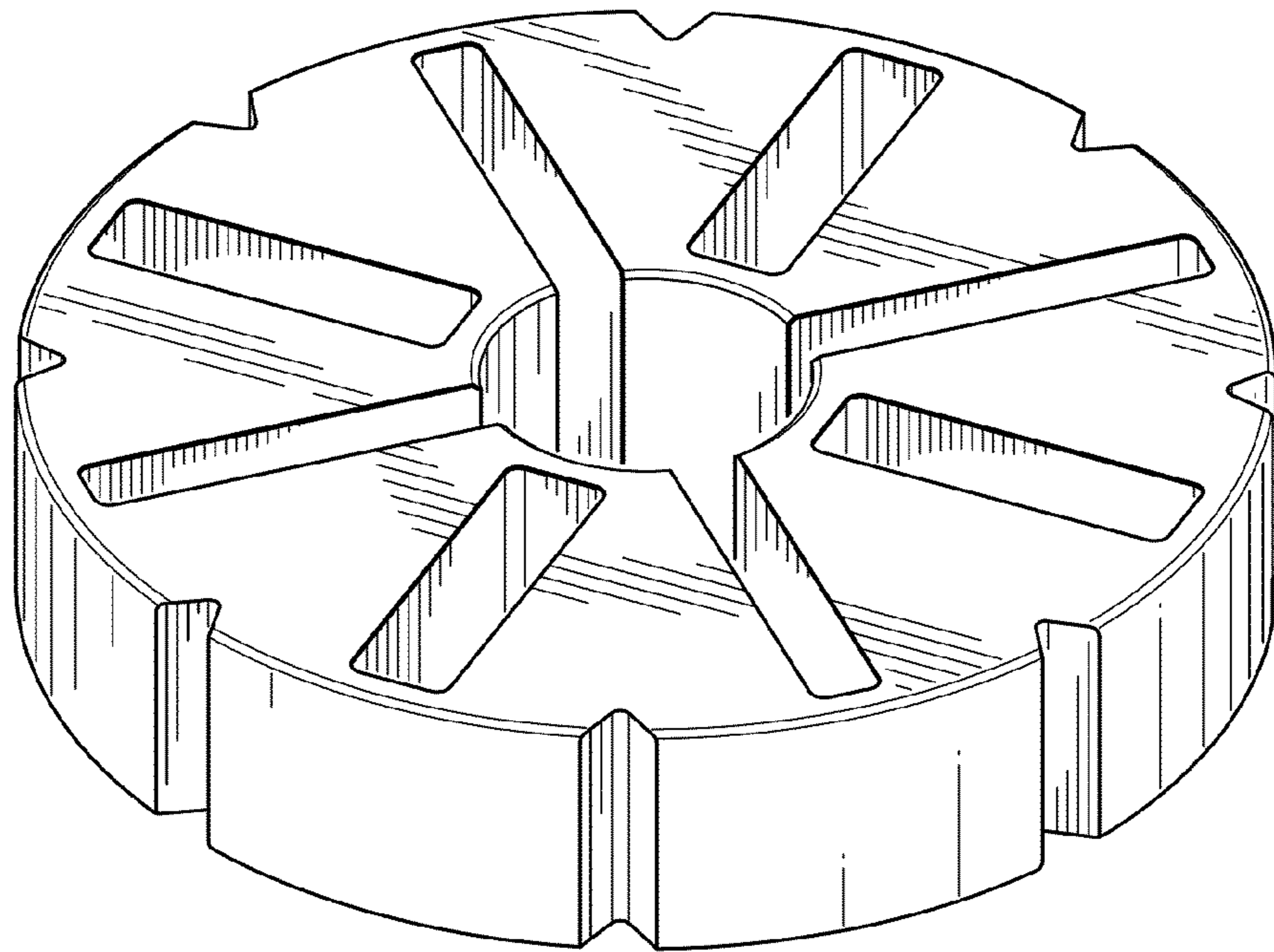


FIG. 1

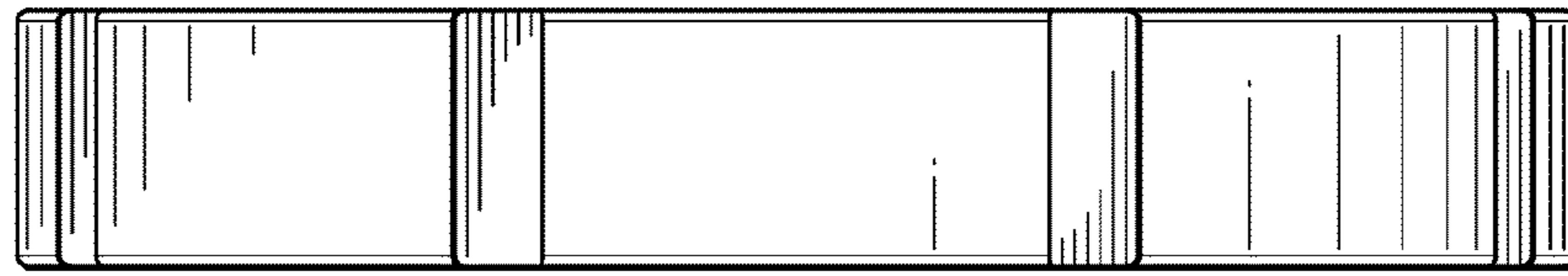


FIG. 2

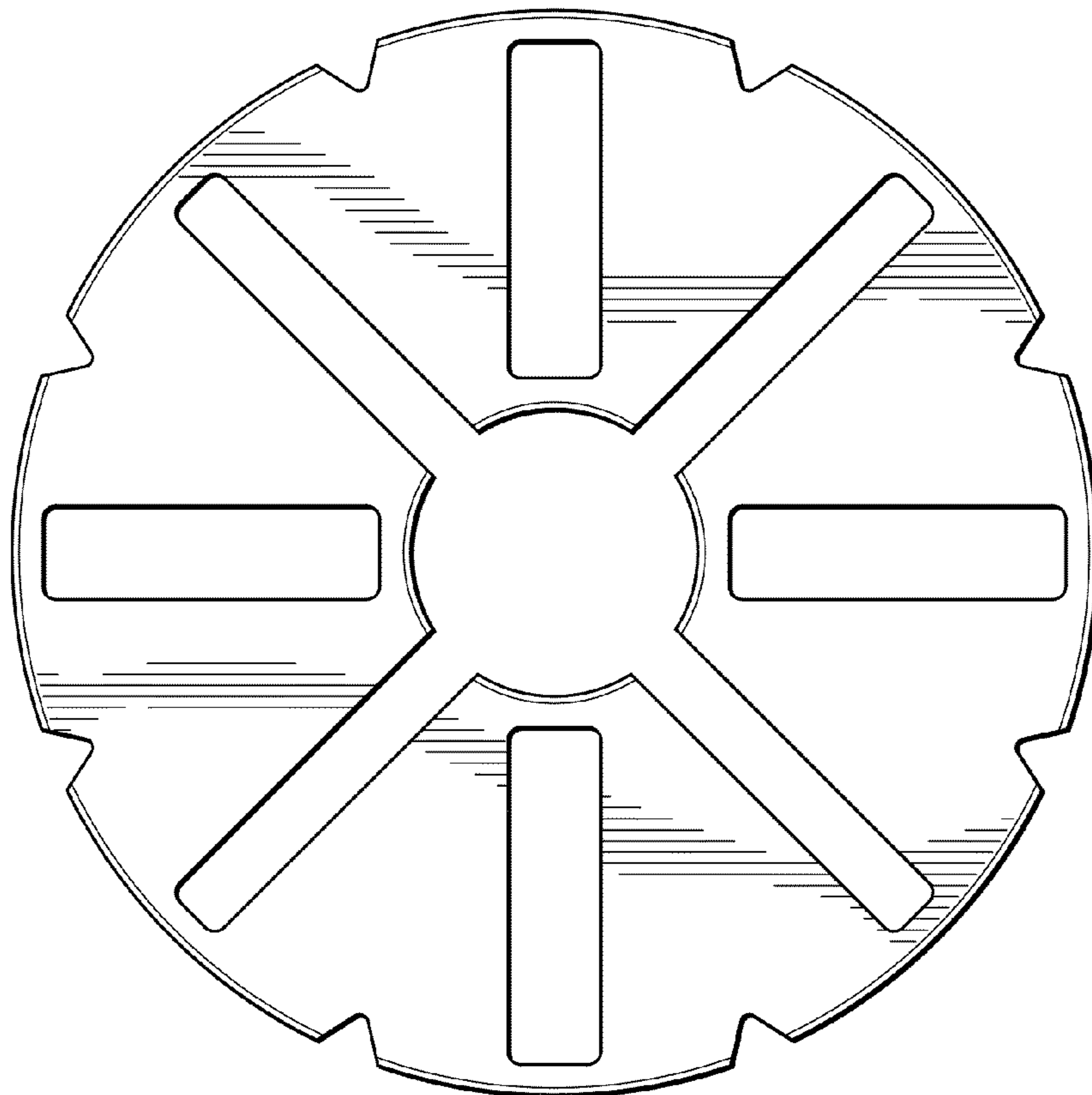


FIG. 3