



US00D678494S

(12) **United States Design Patent**  
**Wolfe et al.**

(10) **Patent No.:** **US D678,494 S**  
(45) **Date of Patent:** **\*\* Mar. 19, 2013**

- (54) **DEHUMIDIFIER HOUSING**
- (75) Inventors: **Kevin A. Wolfe**, Burlington, WA (US);  
**Richard A. Black**, Bellingham, WA  
(US); **Larry White**, Mount Vernon, WA  
(US)
- (73) Assignee: **Dri-Eaz Products, Inc.**, Burlington, WA  
(US)

D581,111	S	11/2008	DiPasquale	
D581,608	S	11/2008	Dammkoehler et al.	
D617,437	S *	6/2010	Matsuzaki	D23/364
D634,414	S *	3/2011	Wolfe et al.	D23/359
D641,844	S *	7/2011	Kim et al.	D23/333
D641,845	S *	7/2011	Breit et al.	D23/333
8,056,182	B2	11/2011	Day	
8,127,397	B2	3/2012	Hess et al.	
2009/0007367	A1	1/2009	Archbold	
2011/0061408	A1	3/2011	Schnelle	

- (\*\*) Term: **14 Years**
- (21) Appl. No.: **29/400,737**

- (22) Filed: **Aug. 31, 2011**
- (51) **LOC (9) Cl.** ..... **23-04**
- (52) **U.S. Cl.** ..... **D23/359**
- (58) **Field of Classification Search** ..... D23/355-366,  
D23/352, 369, 332, 333, 335, 336, 342, 351,  
D23/353, 378; 422/120, 122; 55/356, 473,  
55/504; 96/97; D14/188, 170, 172; 261/DIG. 17,  
261/DIG. 65, DIG. 88, DIG. 31; D18/34.6;  
D34/19

See application file for complete search history.

(56) **References Cited**

**U.S. PATENT DOCUMENTS**

D333,890	S	3/1993	Oberdorfer-Bogel	
D334,258	S	3/1993	Oberdorfer-Bogel	
D394,499	S *	5/1998	Bettag et al.	D23/332
5,785,723	A *	7/1998	Beran et al.	55/356
D419,230	S *	1/2000	Ciccone	D23/333
D445,116	S *	7/2001	Evans et al.	D23/332
D446,612	S	8/2001	Kohler	
D482,171	S *	11/2003	Vui et al.	D34/19
D508,735	S *	8/2005	Klein	D23/359
D529,019	S *	9/2006	Lim	D14/172
D572,356	S *	7/2008	Harber	D23/364
D577,426	S *	9/2008	Huang	D23/360

**OTHER PUBLICATIONS**

U.S. Appl. No. 29/400,735, filed Aug. 31, 2011, Wolfe et al.  
“U.S. Products, “The Flood King—Portable Water Extractor for Restoration,” Instant 212° F. Heat at the Wand Tip, <http://www.usproducts.com/products/restoration/floodking.htm>, accessed Aug. 17, 2011, 1 page.

\* cited by examiner

*Primary Examiner* — David Muller

(74) *Attorney, Agent, or Firm* — Perkins Coie LLP

(57) **CLAIM**

The ornamental design for a dehumidifier housing, as shown and described.

**DESCRIPTION**

FIG. 1 is an isometric view of a dehumidifier housing showing our new design.

FIG. 2 is a front view of the dehumidifier housing.

FIG. 3 is a back view of the dehumidifier housing.

FIG. 4 is a left side view of the dehumidifier housing.

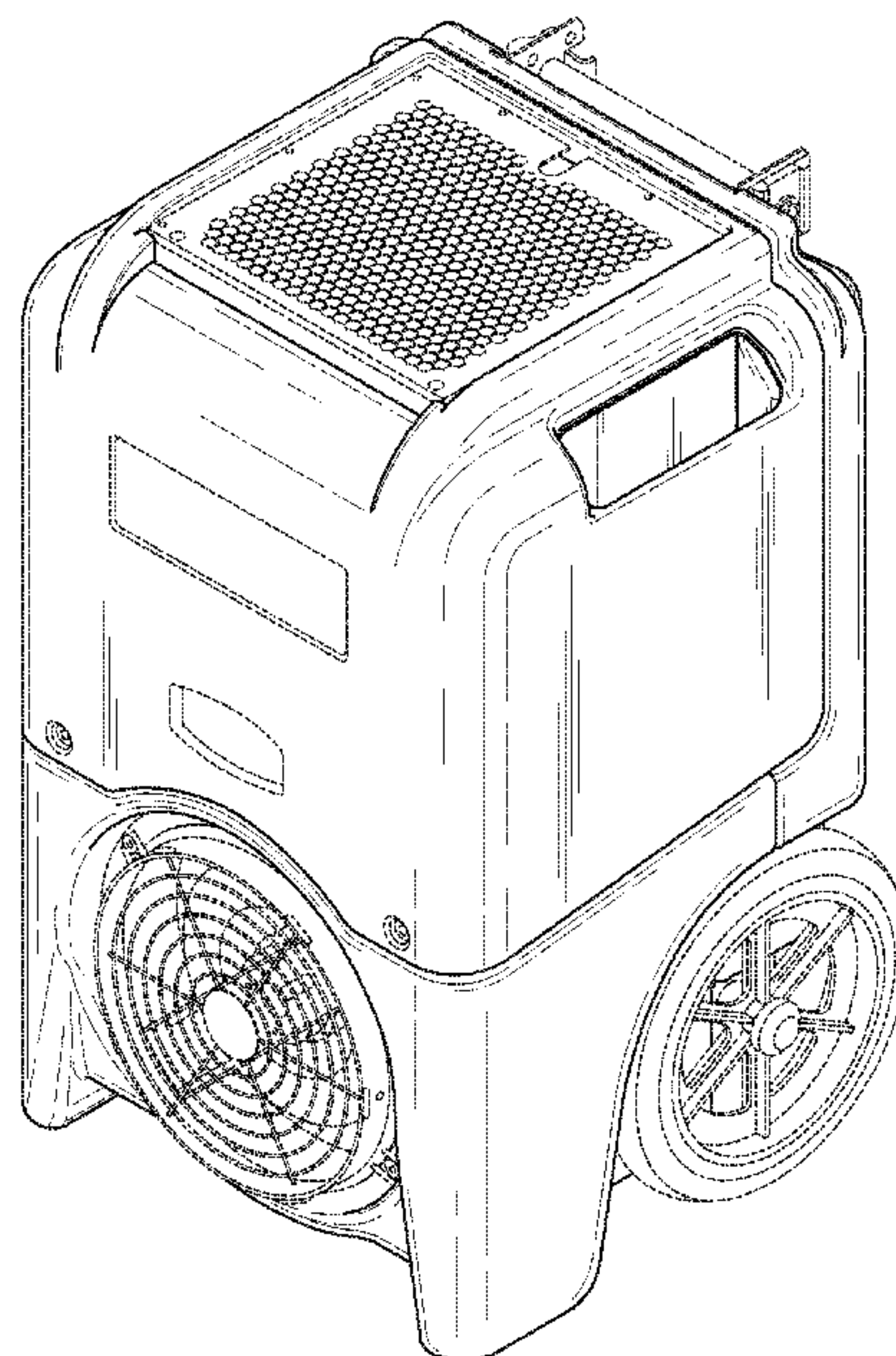
FIG. 5 is a right side view of the dehumidifier housing.

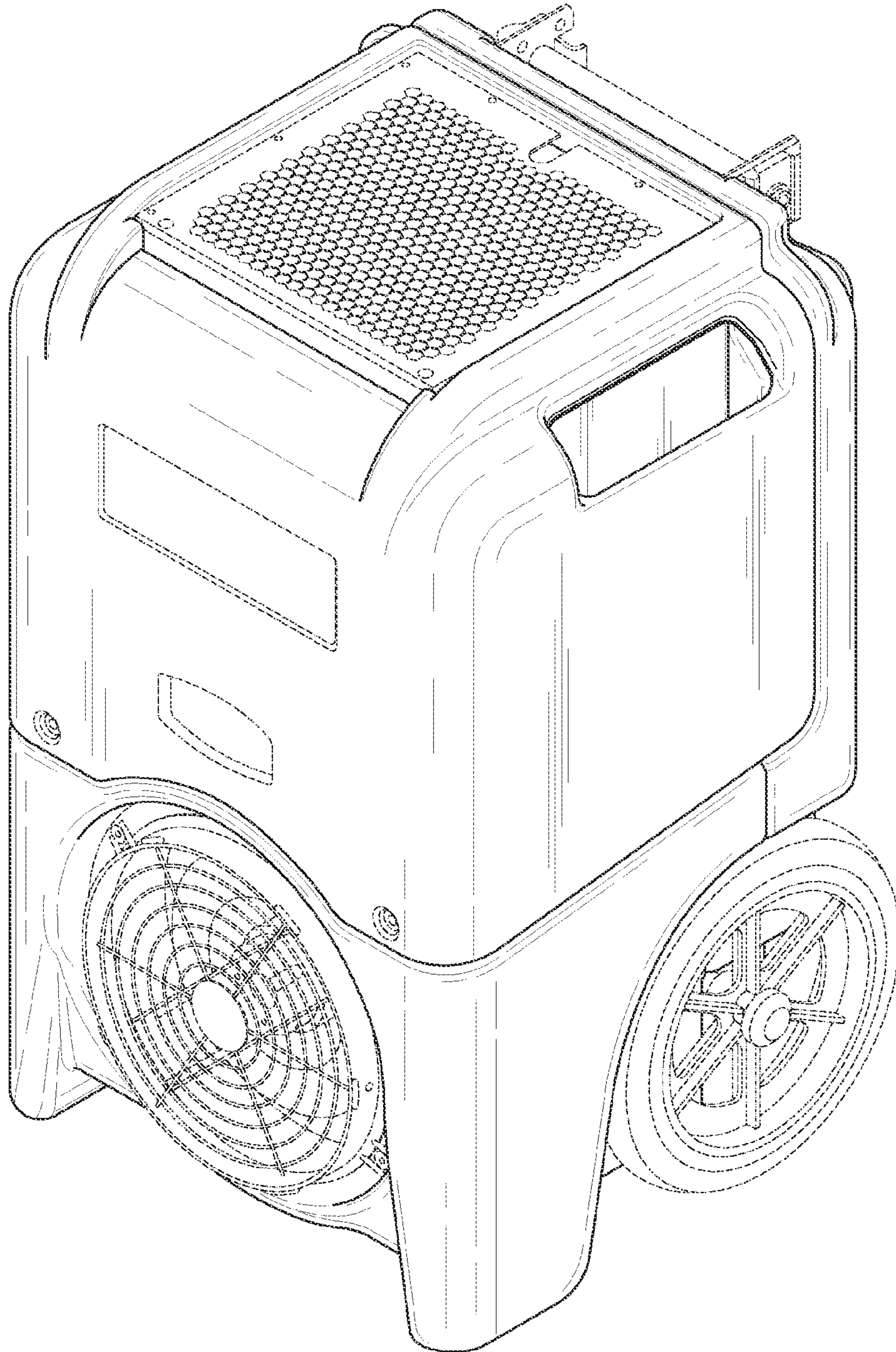
FIG. 6 is a top view of the dehumidifier housing; and,

FIG. 7 is a bottom view of the dehumidifier housing.

The features shown in broken lines depict environmental subject matter only and form no part of the claimed design.

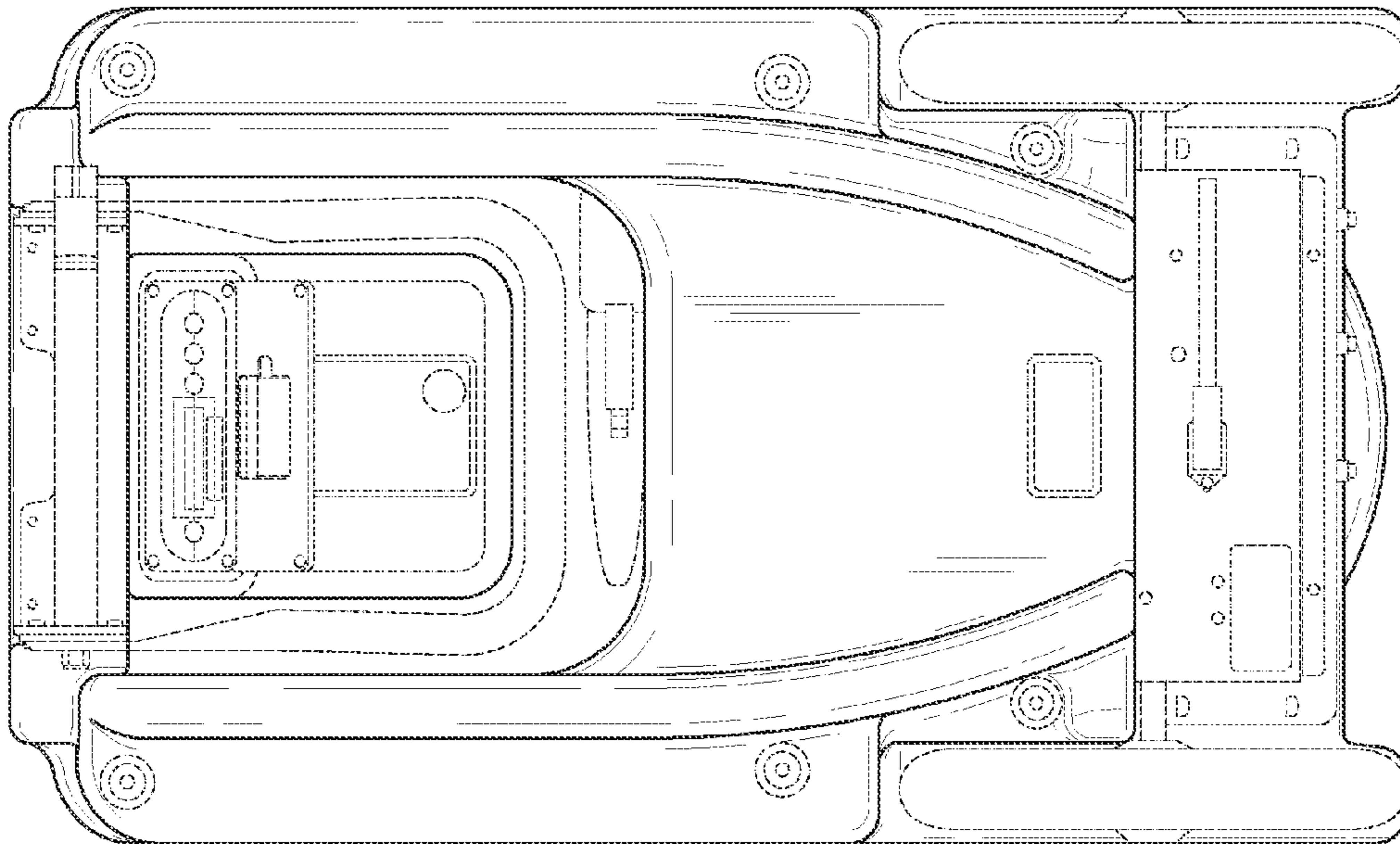
**1 Claim, 4 Drawing Sheets**



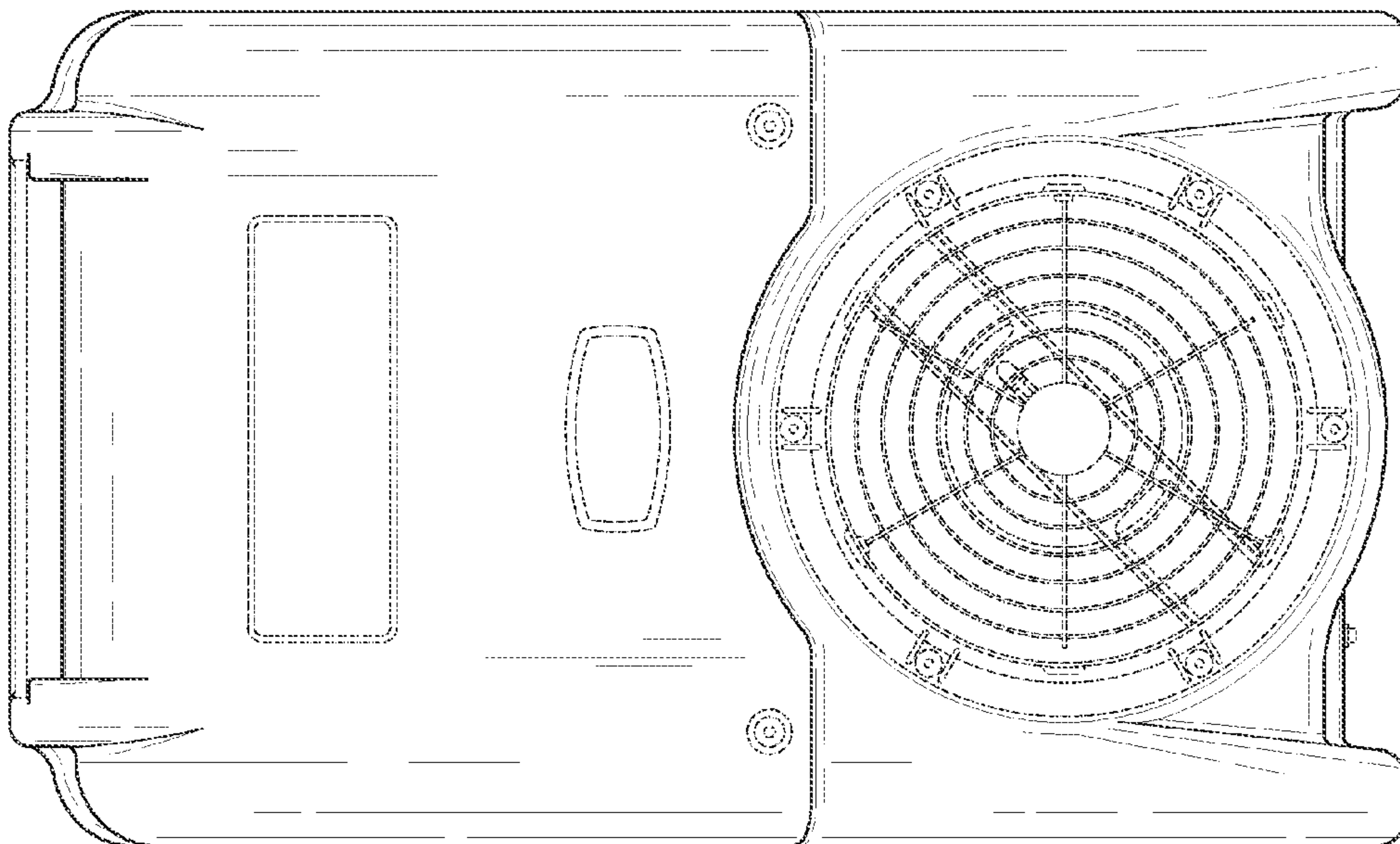


*Fig. 1*

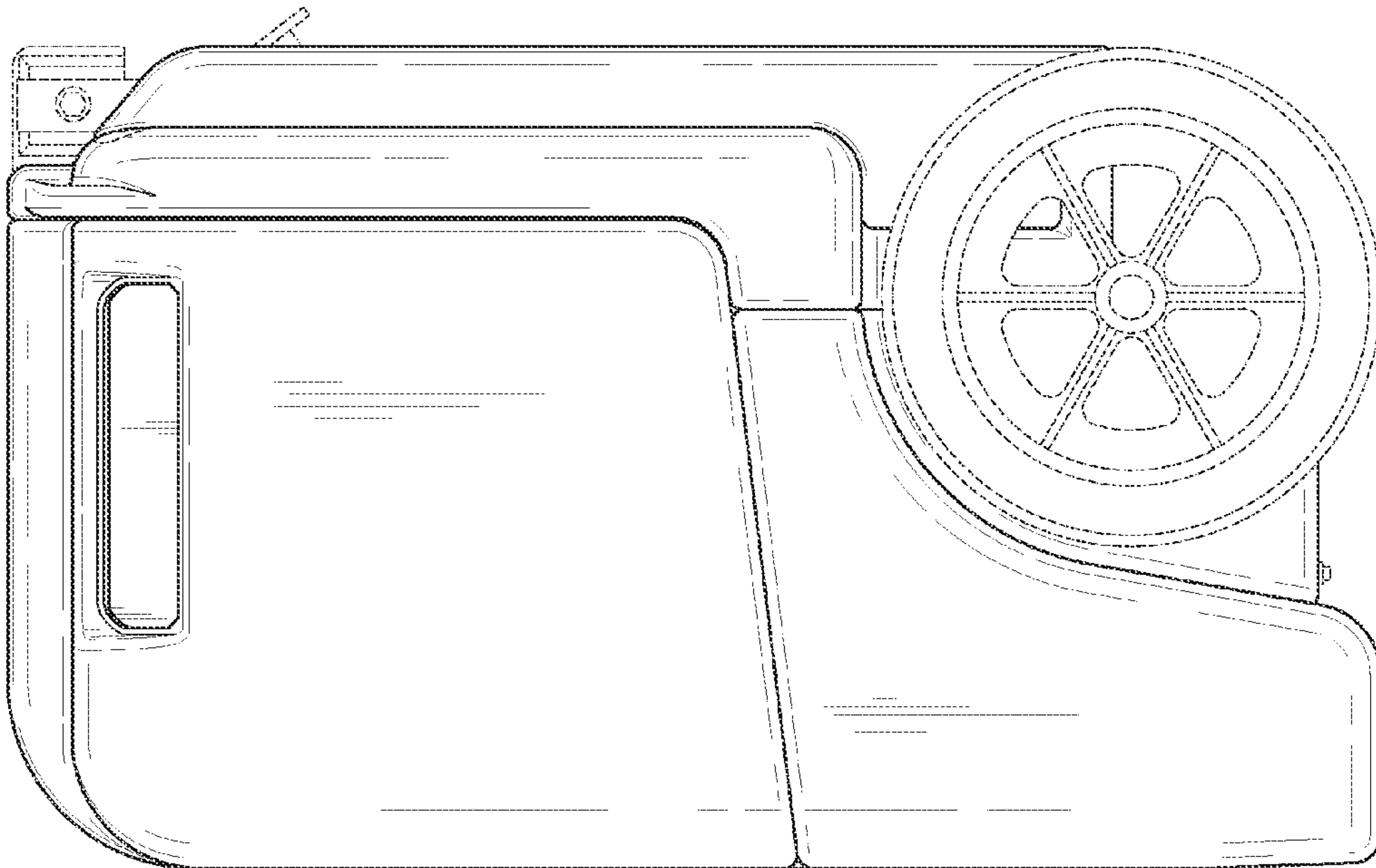




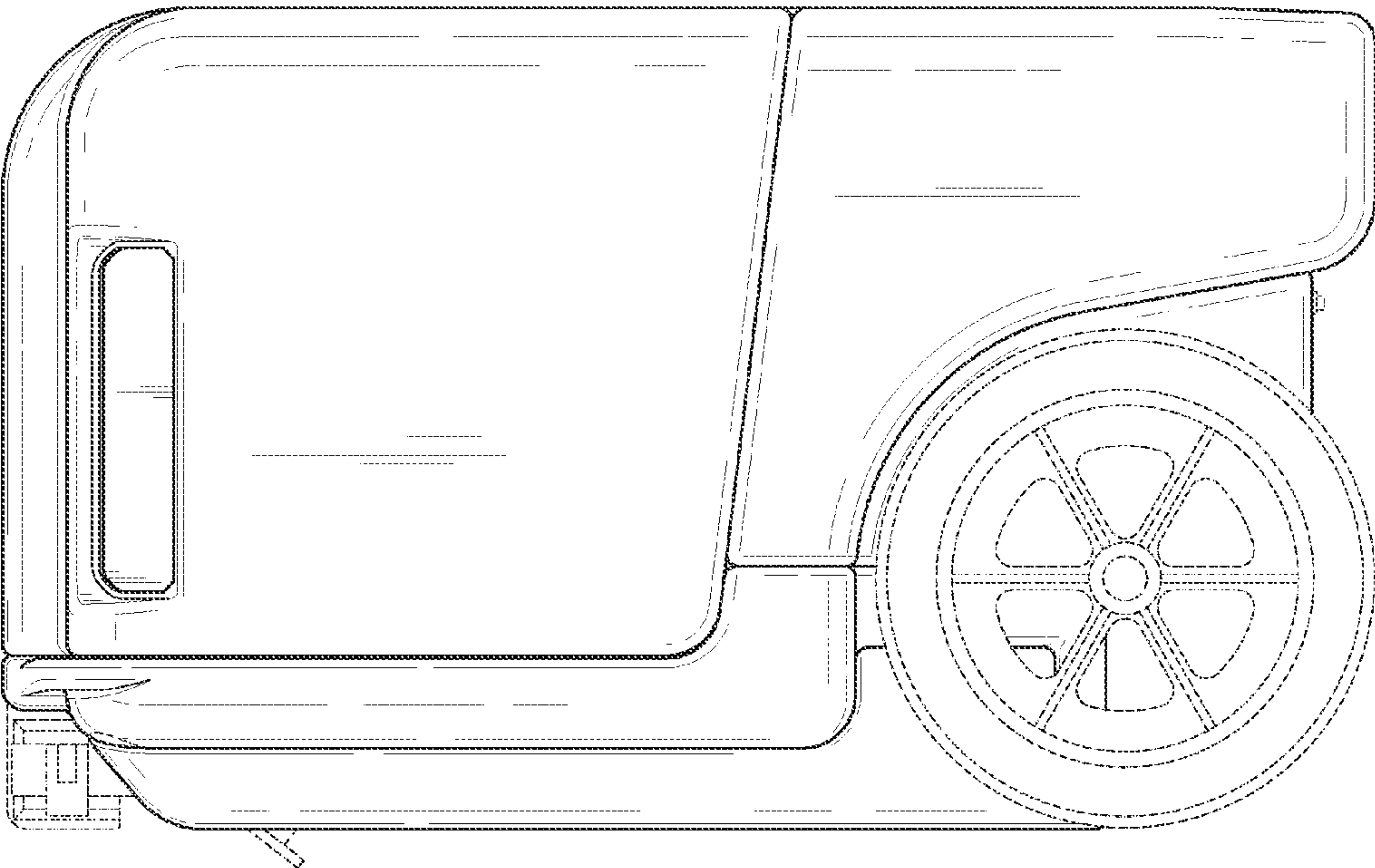
*Fig. 3*



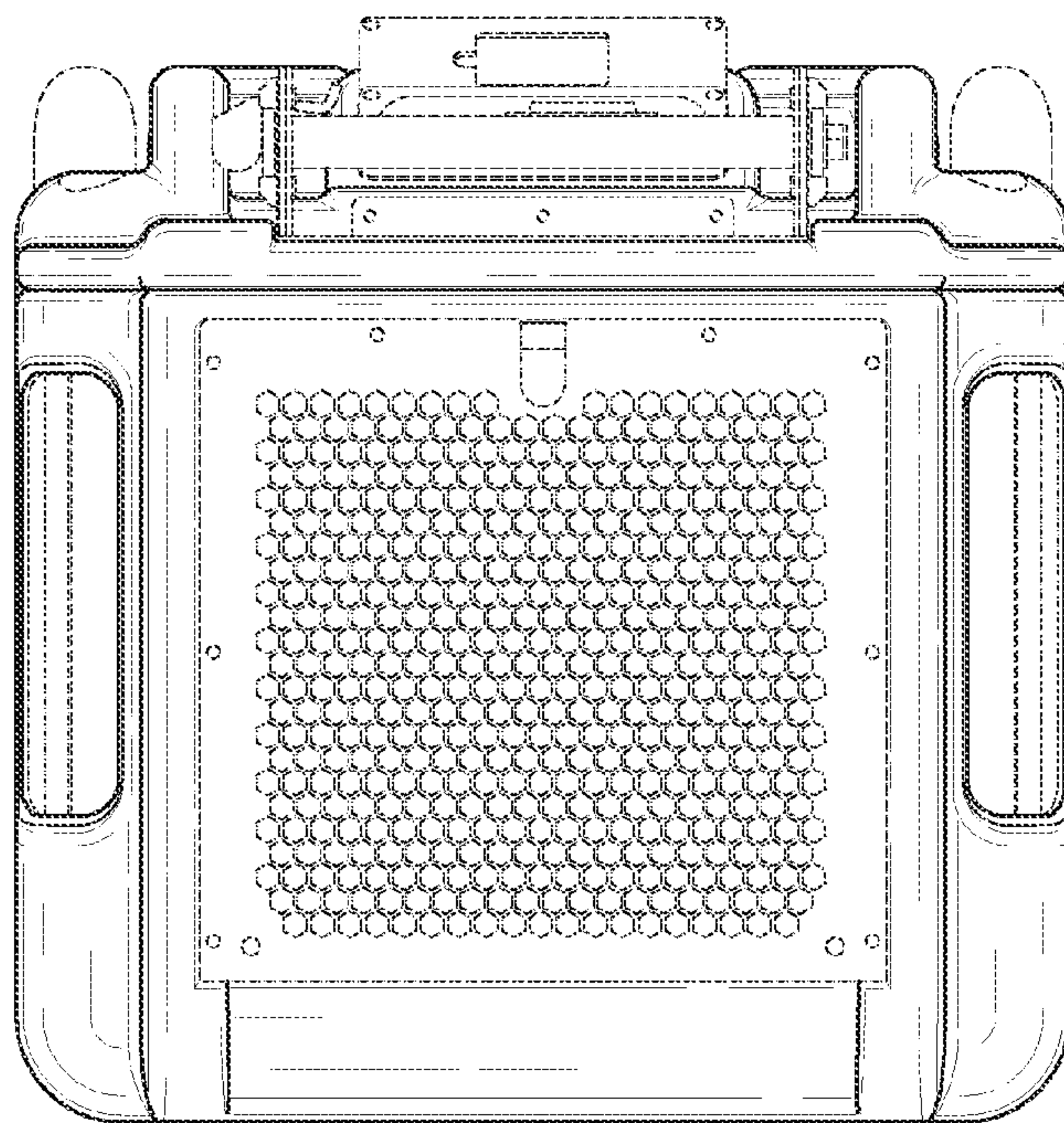
*Fig. 2*



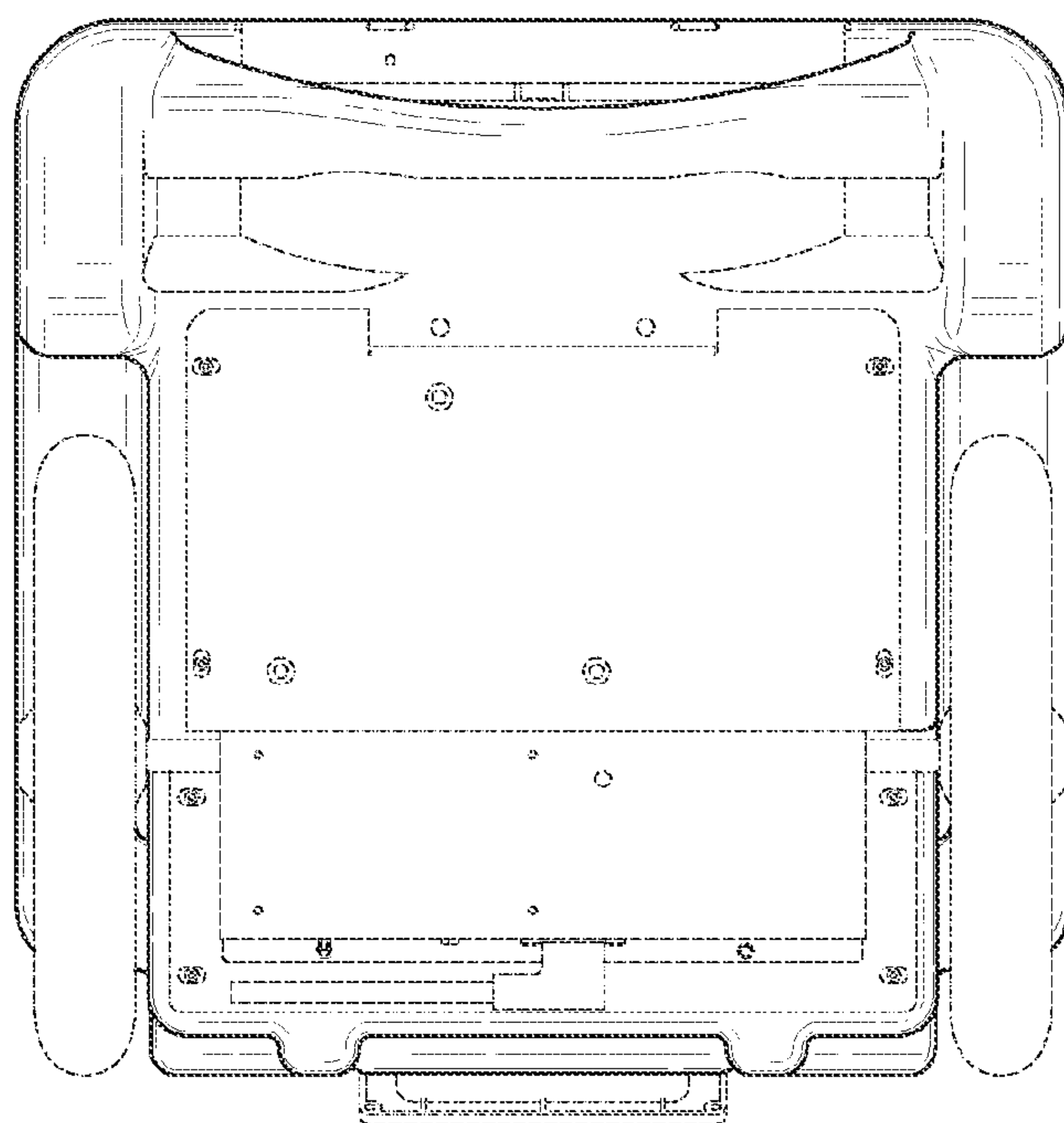
*Fig. 5*



*Fig. 4*



*Fig. 6*



*Fig. 7*