



US00D678491S

(12) **United States Design Patent**
Dong

(10) **Patent No.:** **US D678,491 S**

(45) **Date of Patent:** **** Mar. 19, 2013**

(54) **BASEBOARD HEATER**

(75) Inventor: **Yuejun Dong**, Zhejiang (CN)

(73) Assignee: **Ningbo SMAL Electrics Co., Ltd.**,
Zhejiang (CN)

(**) Term: **14 Years**

(21) Appl. No.: **29/422,373**

(22) Filed: **May 18, 2012**

(51) **LOC (9) Cl.** **23-01**

(52) **U.S. Cl.** **D23/342**

(58) **Field of Classification Search** D23/314,
D23/317, 332, 342, 333, 334, 335, 337, 351,
D23/355, 378, 370, 387, 364, 336, 341, 383;
392/365, 367, 347, 350, 373, 360, 368, 374-376;
126/110 B, 90 A, 92 A

See application file for complete search history.

(56) **References Cited**

U.S. PATENT DOCUMENTS

1,079,225	A *	11/1913	Dubilier	392/373
1,154,412	A *	9/1915	Kuhn et al.	392/375
2,815,585	A *	12/1957	Thompson	34/621
4,760,243	A *	7/1988	Tedioli	392/366
D348,725	S *	7/1994	Wortham	D23/335
D464,413	S *	10/2002	Shapiro et al.	D23/335
6,901,213	B2 *	5/2005	Bing	392/360

D549,309	S *	8/2007	Stephant et al.	D23/342
D567,347	S *	4/2008	Ching	D23/342
D599,455	S *	9/2009	Alexanderson	D23/351
D614,276	S *	4/2010	Harris et al.	D23/364
D637,704	S *	5/2011	Dukes et al.	D23/342
D643,913	S *	8/2011	Ching	D23/342
2004/0033063	A1 *	2/2004	Bing	392/360
2009/0085713	A1 *	4/2009	Tsang	338/23

* cited by examiner

Primary Examiner — Eric Goodman

(74) *Attorney, Agent, or Firm* — Amster Rothstein & Ebenstein LLP

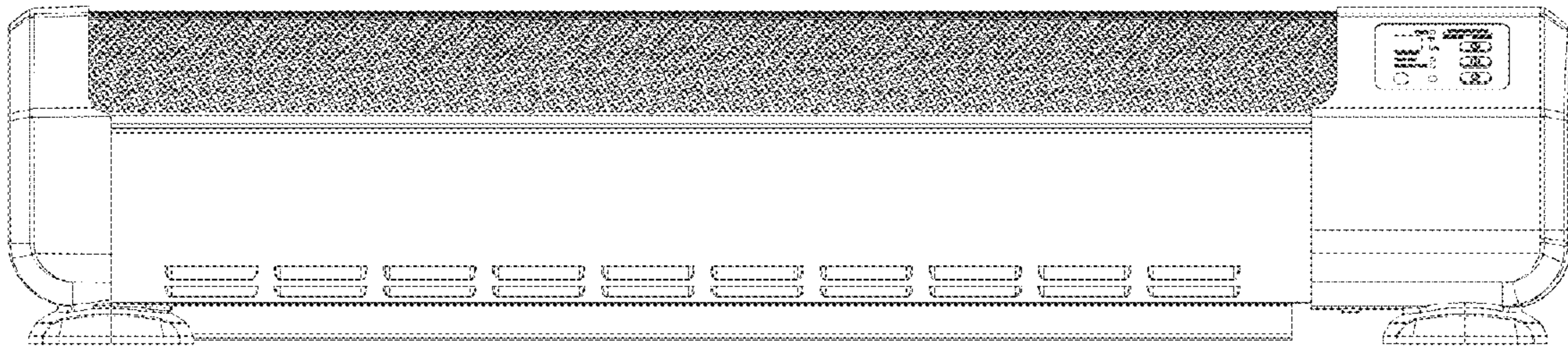
(57) **CLAIM**

The ornamental design for a baseboard heater, as shown and described.

DESCRIPTION

FIG. 1 is a front view of the baseboard heater;
FIG. 2 is a rear view of the baseboard heater;
FIG. 3 is a left side view of the baseboard heater;
FIG. 4 is a right side view of the baseboard heater;
FIG. 5 is a top view of the baseboard heater;
FIG. 6 is a bottom view of the baseboard heater; and,
FIG. 7 is a perspective view of the baseboard heater.

1 Claim, 4 Drawing Sheets



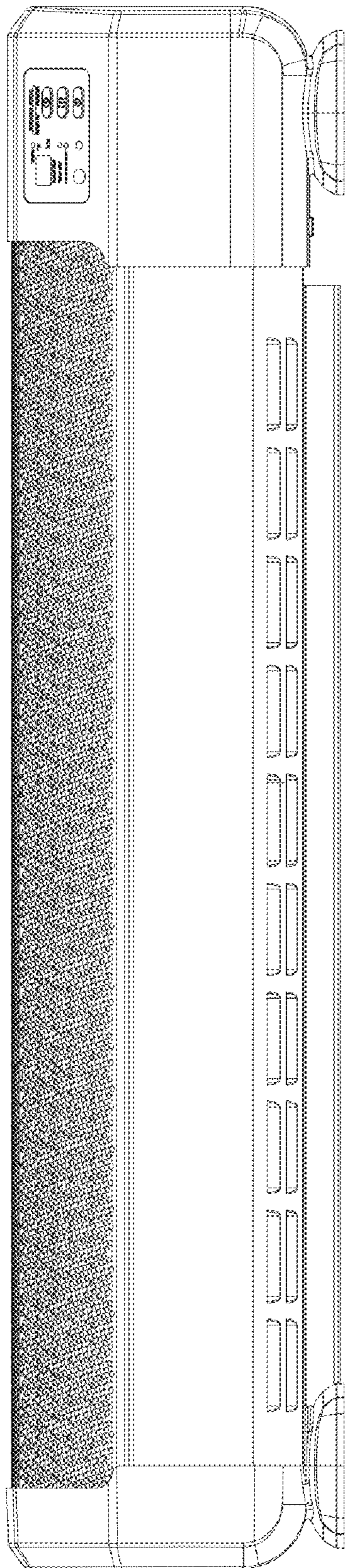


FIG. 1

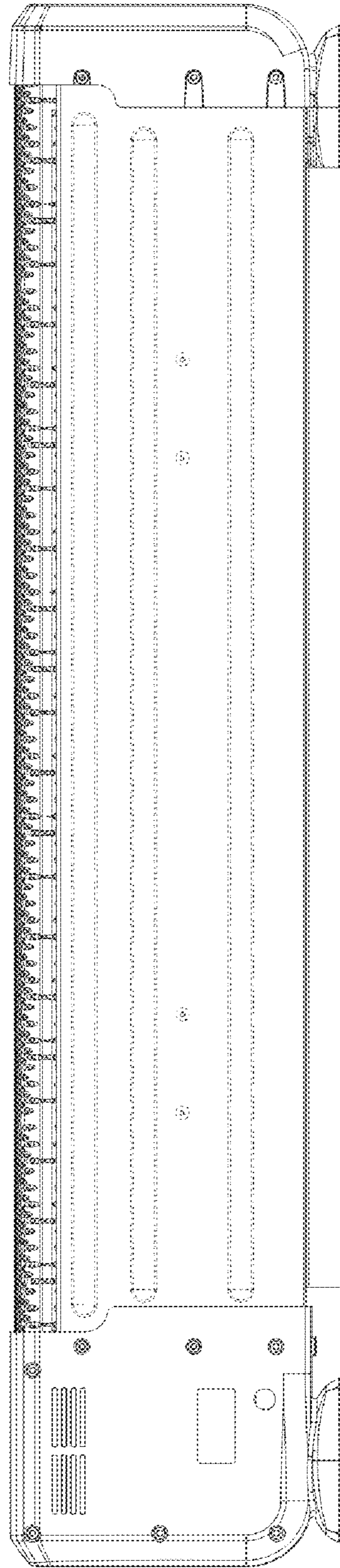


FIG. 2

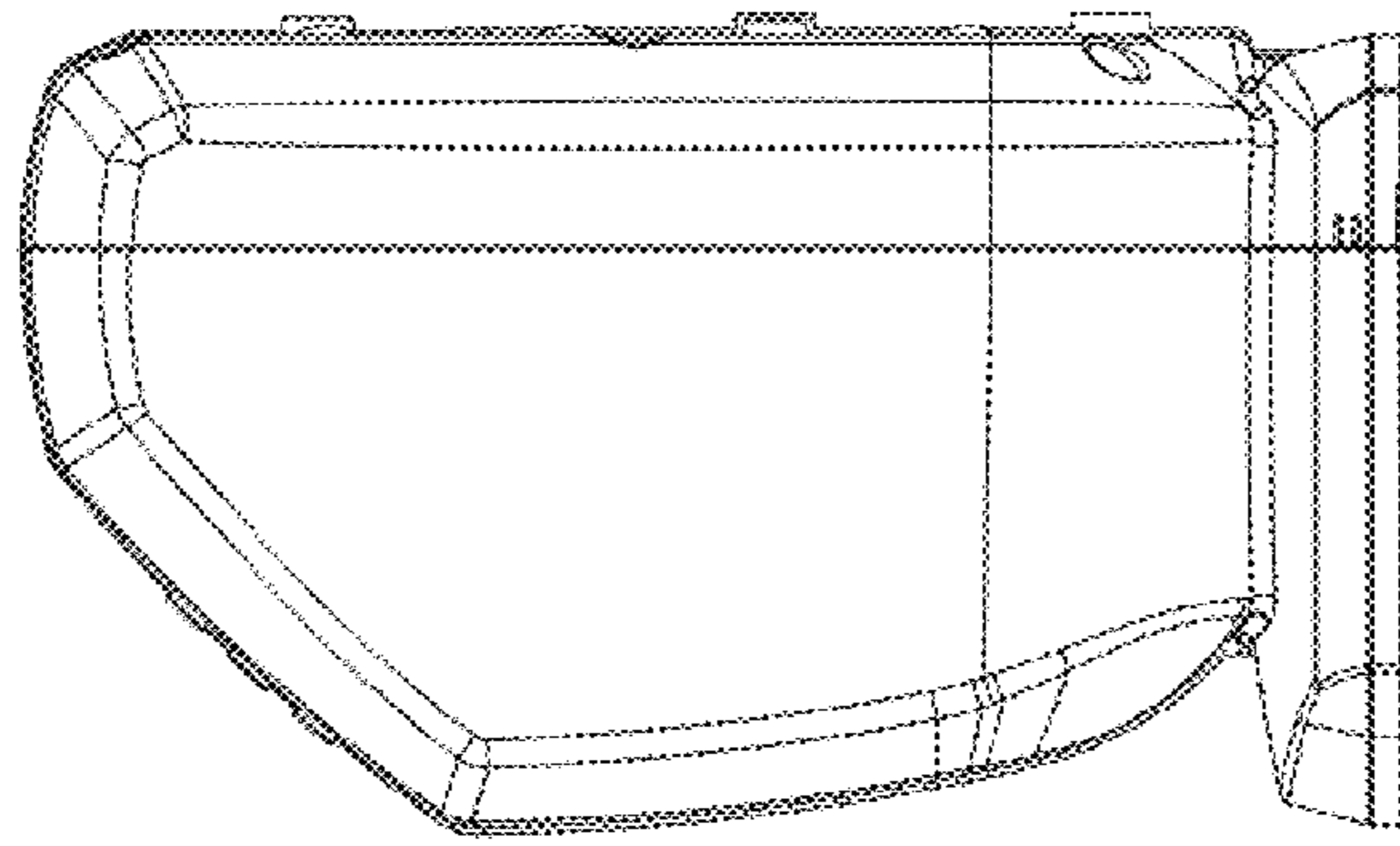


FIG. 3

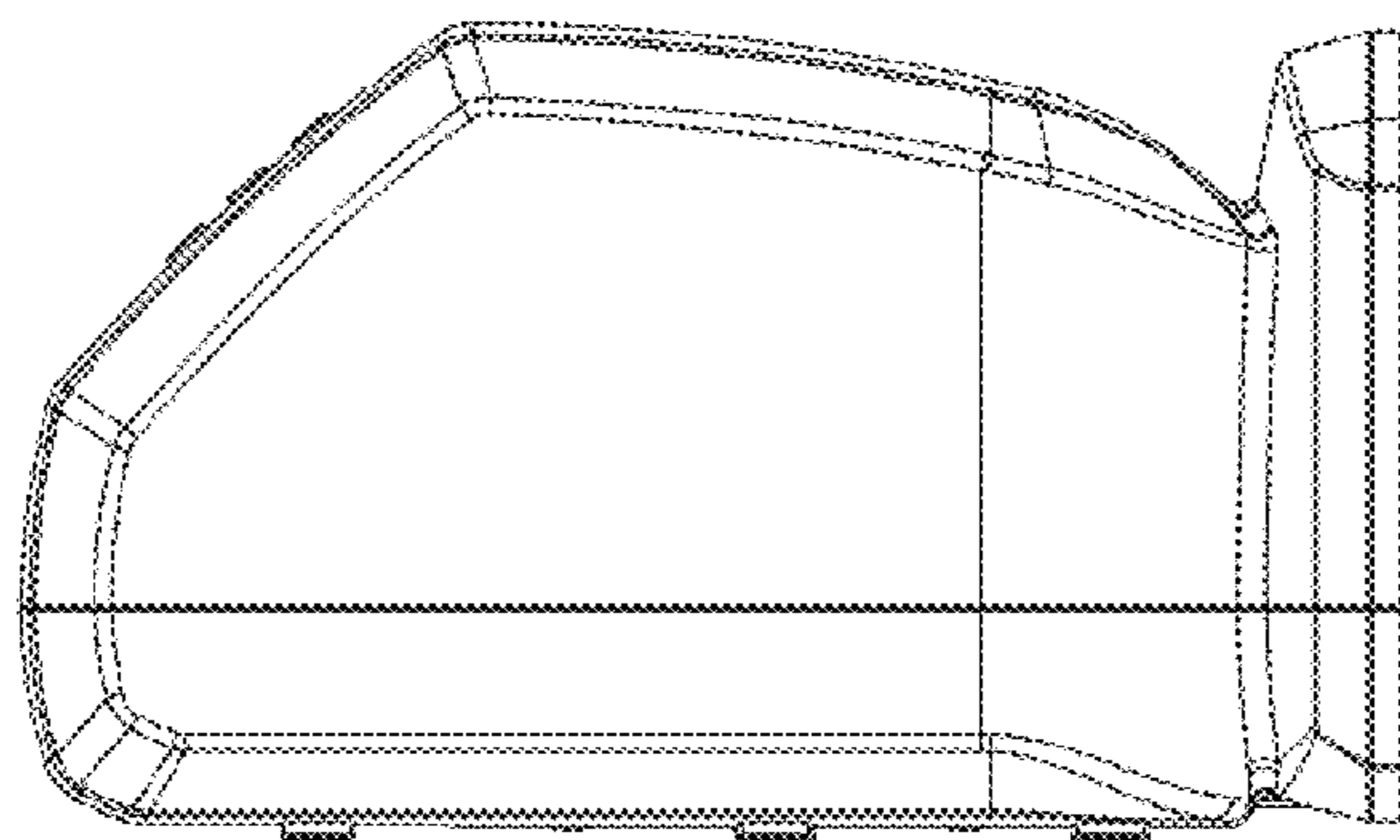


FIG. 4

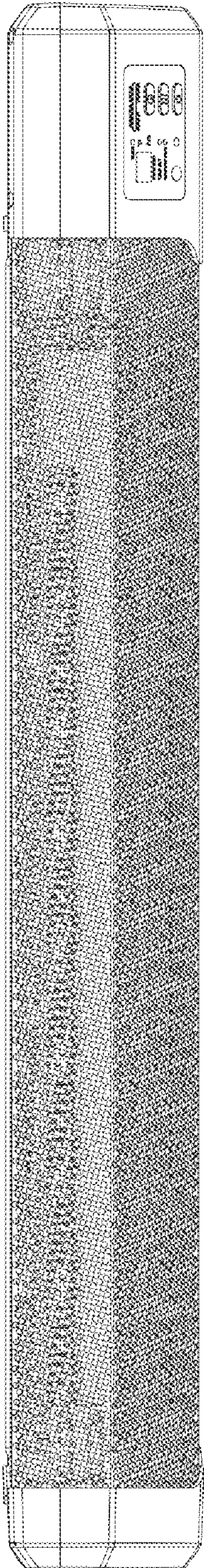


FIG. 5

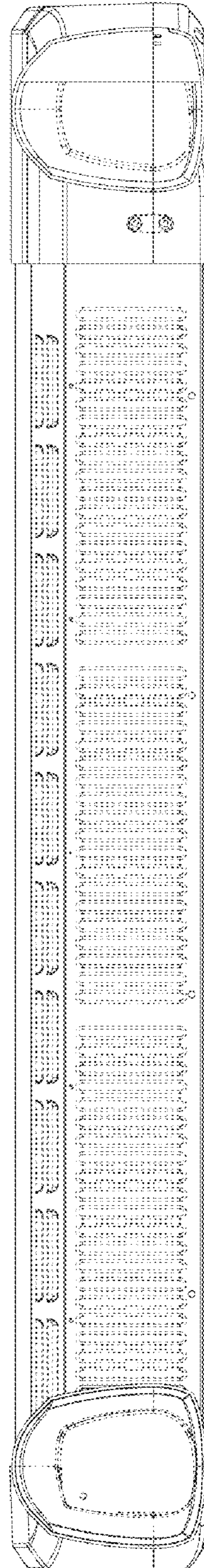


FIG. 6

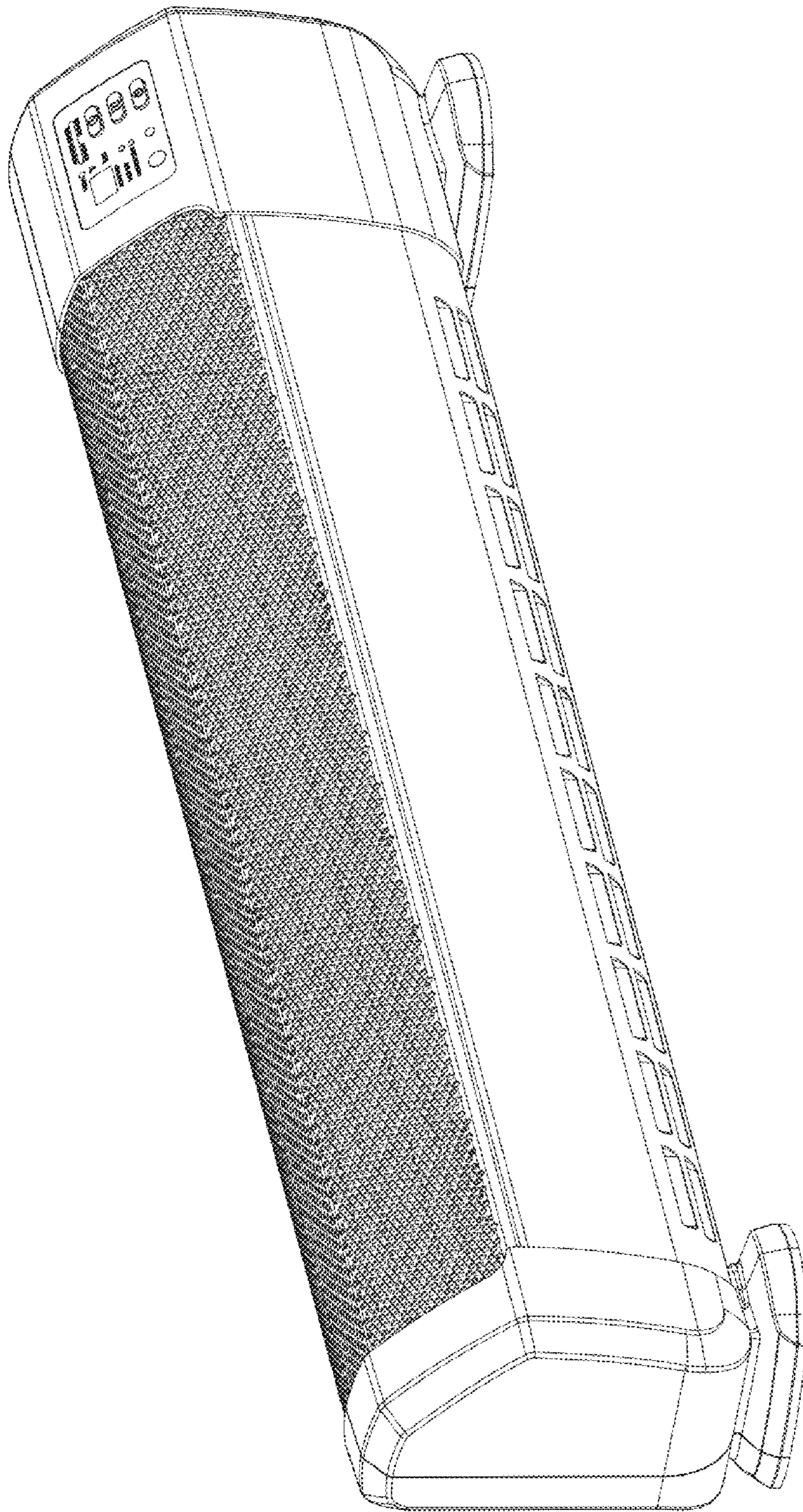


FIG. 7