



US00D678490S

(12) **United States Design Patent**
Corpuz, Jr. et al.

(10) **Patent No.:** **US D678,490 S**
(45) **Date of Patent:** **** Mar. 19, 2013**

- (54) **PLUMBING FIXTURE**
- (75) Inventors: **Roque M. Corpuz, Jr.**, Sheboygan, WI (US); **Mary Reid**, Sheboygan, WI (US)
- (73) Assignee: **Kohler Co.**, Kohler, WI (US)
- (**) Term: **14 Years**
- (21) Appl. No.: **29/387,601**
- (22) Filed: **Mar. 15, 2011**

D608,430 S *	1/2010	Slothower et al.	D23/313
D616,077 S	5/2010	Lin et al.	
D621,011 S	8/2010	Bucher	
D621,488 S	8/2010	Bucher	
D624,165 S	9/2010	Yokoyama et al.	
D624,997 S	10/2010	Schönherr et al.	

FOREIGN PATENT DOCUMENTS

EM 000189014-0001 7/2004

OTHER PUBLICATIONS

- Toto. "Carusoe".
- Toto. "Drake".
- Toto. "Whitney".
- Toto. "Vespin".
- Toto. "Carrollton".
- Toto. "Clayton".
- Vortens. "Rhodas".
- Vortens. "Loretto".
- Vortens. "Manchester".

(Continued)

Primary Examiner — Robert Delehanty
(74) *Attorney, Agent, or Firm* — Foley & Lardner LLP

Related U.S. Application Data

- (62) Division of application No. 29/377,697, filed on Oct. 25, 2010, now Pat. No. Des. 641,459.
- (51) **LOC (9) Cl.** **23-02**
- (52) **U.S. Cl.** **D23/313**
- (58) **Field of Classification Search** D23/301, D23/303, 309, 313; 4/353
See application file for complete search history.

(56) **References Cited**

U.S. PATENT DOCUMENTS

D217,551 S	5/1970	Manning	
D226,432 S	3/1973	Anderson	
D310,407 S	9/1990	Stairs, Jr.	
D355,709 S	2/1995	Osada	
D377,209 S	1/1997	Tani et al.	
D410,998 S	6/1999	Jones	
D438,939 S	3/2001	Kawamura	
D471,621 S	3/2003	Bennie	
D472,310 S *	3/2003	Kawamura	D23/301
D472,619 S	4/2003	Kawamura	
D520,615 S	5/2006	Hou	
D521,131 S *	5/2006	Hou	D23/313
D532,493 S	11/2006	Bucher	
D532,875 S	11/2006	Kaule	
D533,927 S	12/2006	Kakahana	
D578,620 S *	10/2008	Zou et al.	D23/301
D578,625 S	10/2008	Ho	
D579,092 S	10/2008	Cummings	
D585,128 S *	1/2009	Slothower et al.	D23/313
D601,233 S	9/2009	Kegoet	
D603,029 S	10/2009	Bucher	
D603,945 S	11/2009	Bucher	

(57) **CLAIM**

The ornamental design for a plumbing fixture, as shown and described.

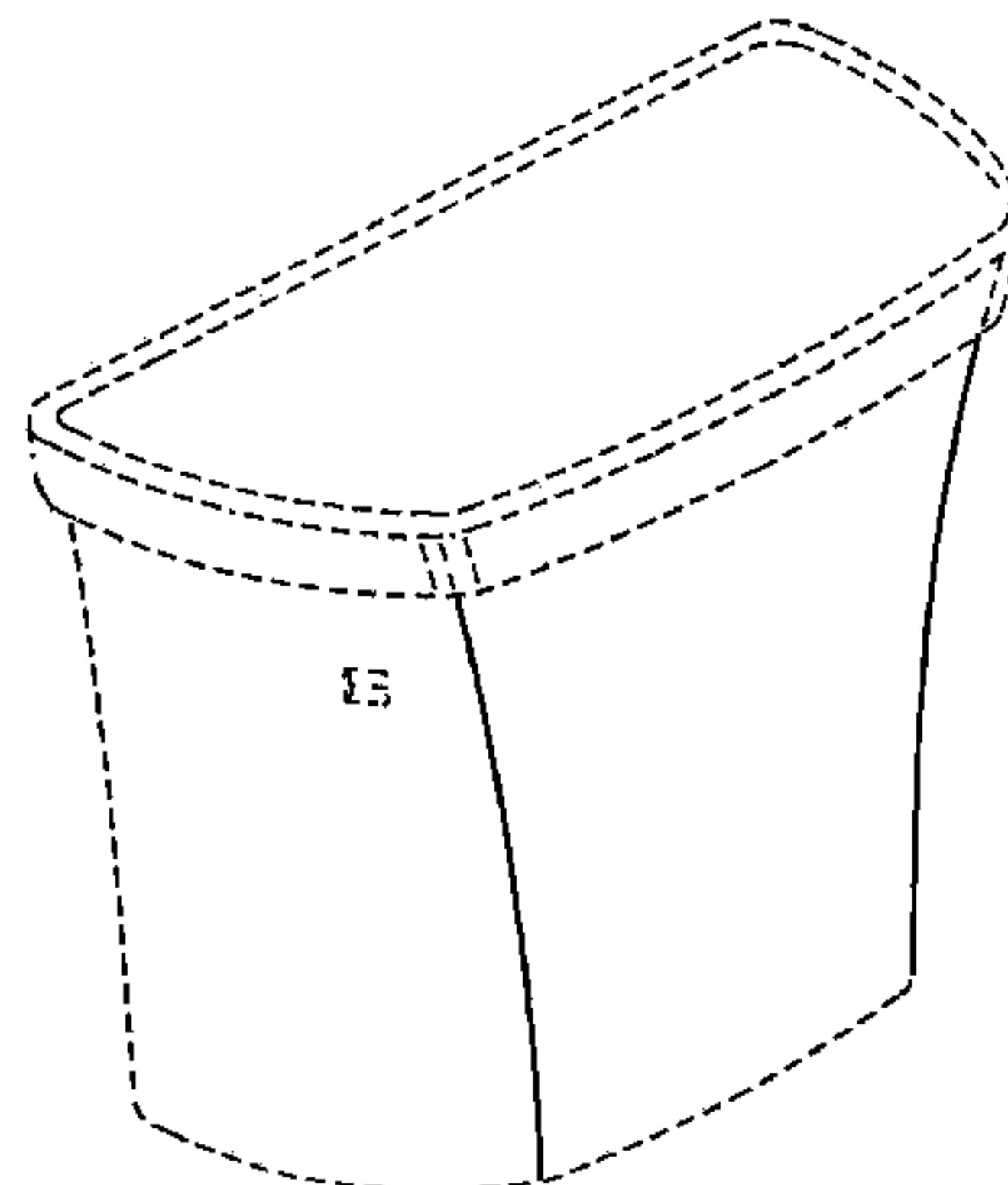
DESCRIPTION

FIG. 1 is a left, top, front perspective view of a plumbing fixture according to our new design;
 FIG. 2 is a front elevational view thereof;
 FIG. 3 is a left side elevational view thereof;
 FIG. 4 is a right side elevational view thereof;
 FIG. 5 is a top plan view thereof;
 FIG. 6 is a bottom plan view thereof; and,
 FIG. 7 is a rear elevational view thereof.

The broken line representations in the figures are for the purpose of illustrating unclaimed surface environment. The broken lines are thus not part of the claim.

The nature of this product is a plumbing fixture in the form of a tank component for a water closet.

1 Claim, 3 Drawing Sheets



OTHER PUBLICATIONS

Vortens. "Tornado".
Vortens. "Vienna".
Zurn. Toilets.
Niagra. Stealth.
Kohler Co. "Wellworth Pressure-Lite Toilet". Model No. K-3505.
Kohler Catalog.
Kohler Co. "Leighton Comfort-Height Toilet". Model No. K-3651.
Kohler.com online catalog. Copyright 2009 Kohler Co.
Kohler Co. "Kelston Comfort Height Toilet". Model No. K-3755.
Kohler Catalog.
Niagra Conservation. "Stealth" Toilet. StealthToilets.com online catalog.
American Standard. "Tropic" Toilet.
American Standard. "Evolution 2" Toilet.
American Standard. "Skyline" Toilet.
American Standard. "Cadet" Toilet.
American Standard. "Champion" Toilet.
American Standard. "Studio" Toilet.
American Standard. "Doral" Toilet.
American Standard. "Town Square" Toilet.
American Standard. "Colony" Toilet.
American Standard. "Triumph" Toilet.
Briggs. "M128" Toilet.
Briggs. "Conserver" Toilet.
Briggs. "Vacuity" Toilet.
Briggs. "Aegis" Toilet.
Caroma. "Sydney" Toilet.
Caroma. "Royale" Toilet.
Crane. "Saratoga" Toilet.
Crane. "Hymont" Toilet.
Crane. "Galaxy" Toilet.
Crane. "Toilet to Go" Toilet.
Eljer. "Titan" Toilet.
Eljer. "Patriot" Toilet.
Eljer. "Diplomat" Toilet.
Eljer. "Calloway" Toilet.
Eljer. "Stratus" Toilet.
Eljer. "Belmont" Toilet.
Foremost. Toilets.
Gerber. "Avalanche".
Gerber. "Lynx".
Gerber. "Viper".
Gerber. "Aqua Saver".
Gerber. "Maxwell".
Lowe's. "AquaSource" Toilets.
Mansfield. "Quantum" Toilet.
Mansfield. "Maverick" Toilet.
Mansfield. "Essence" Toilet.
Mansfield. "Summit" Toilet.
Mansfield. "Montclair" Toilet.
Mansfield. "Romanesque" Toilet.
Mansfield. "Reo" Toilet.
Mirabelle. Toilet.
Pro Flo. Toilets.
St. Thomas Creations. "Apollo".
St. Thomas Creations. "Marathon".
St. Thomas Creations. "Presley".
THD. "Glacier Bay". Toilets.
2000 Kohler catalog ad, p. 15.18 showing a "Wellworth" toilet.
Undated Allia catalog ad showing an "Optima" toilet.
Undated Sterling catalog ad showing a "Windham" toilet.
2000 Kohler catalog ad, p. 17.3, showing a "Highline" and "Wellworth" toilet.
Undated Jacob Delafon catalog ad showing a "Brive 2" toilet.
1984 Ideal Standard catalog ad, p. 35, showing a "Tulip" toilet.

* cited by examiner

FIG. 1

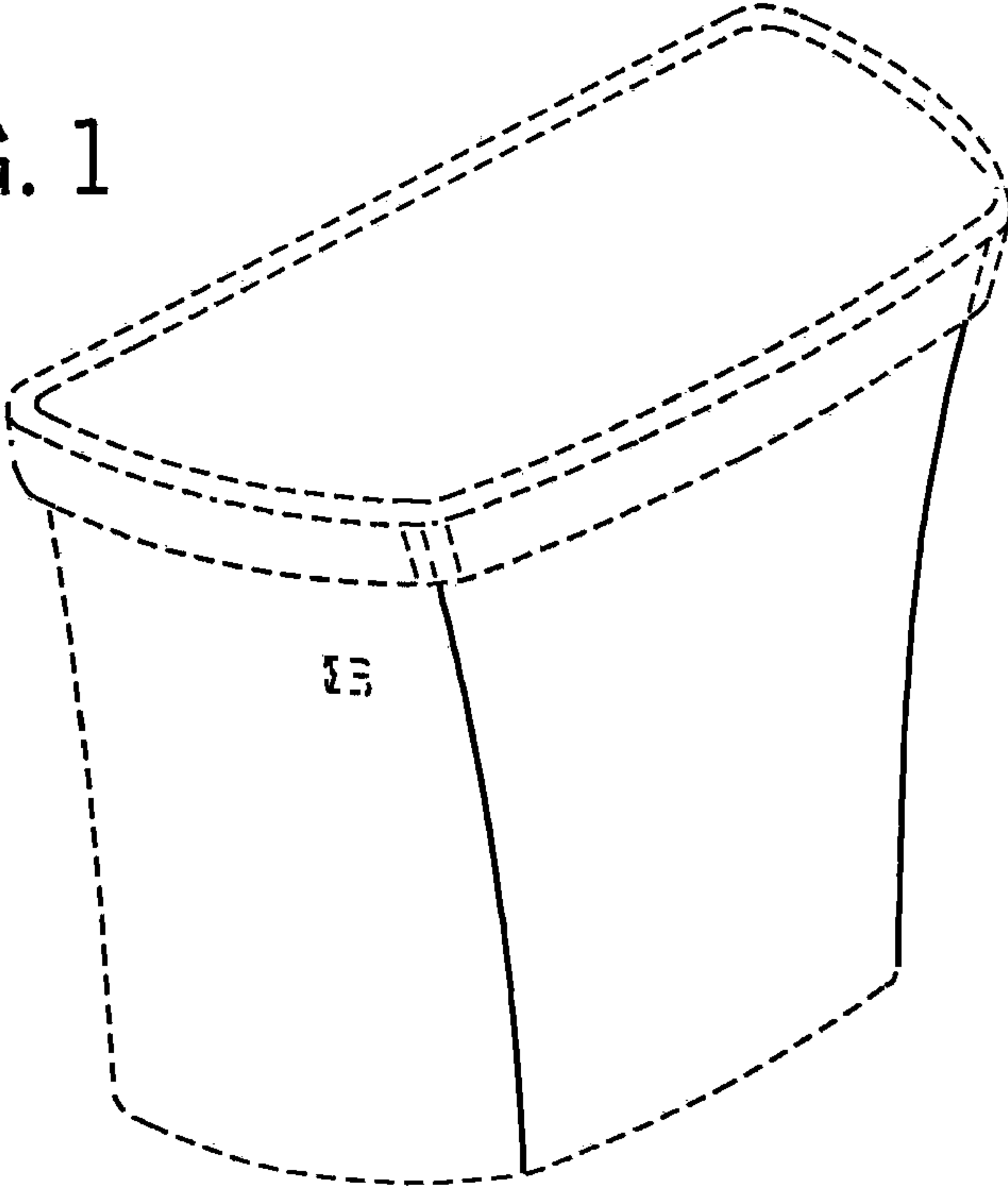


FIG. 2

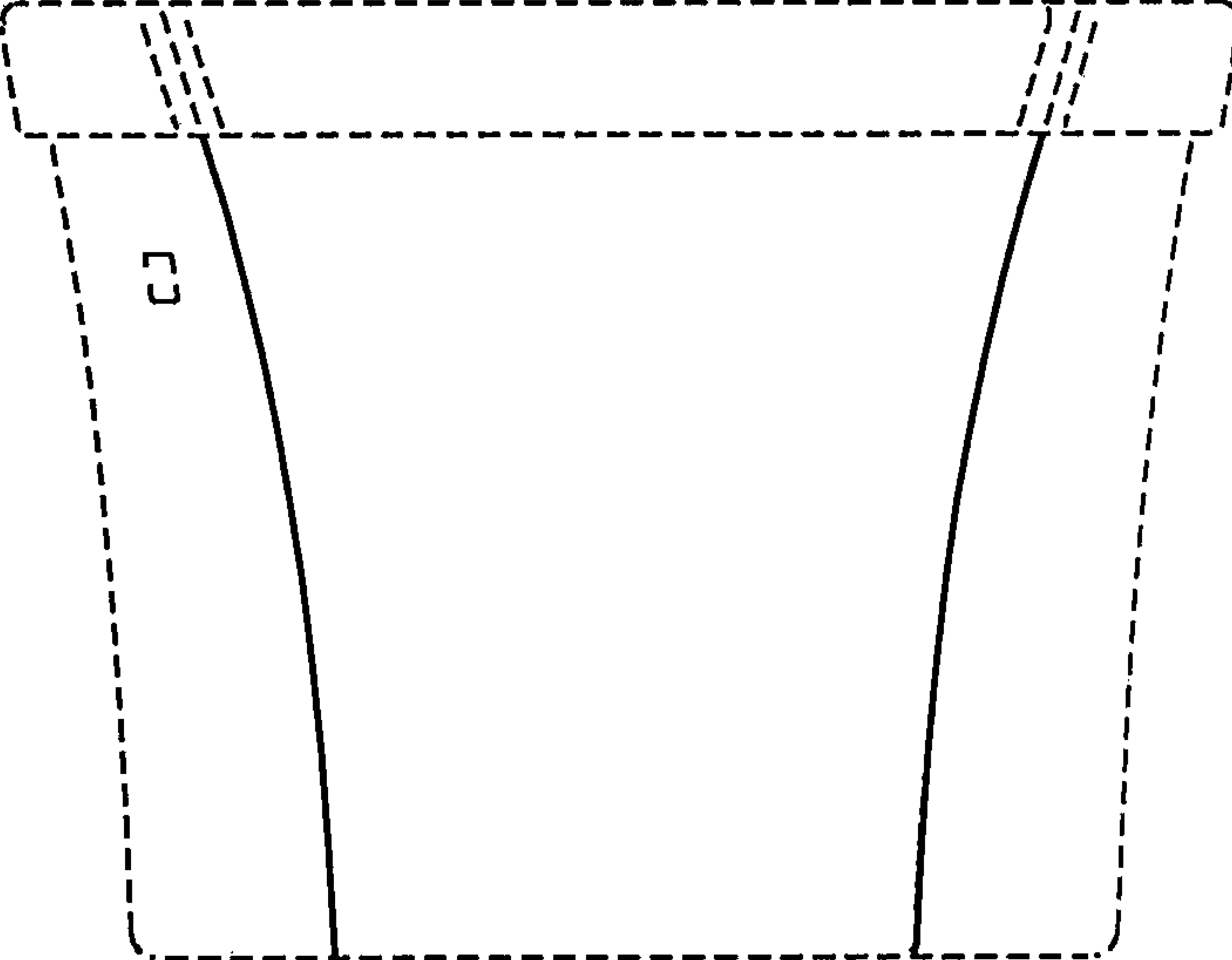


FIG. 3

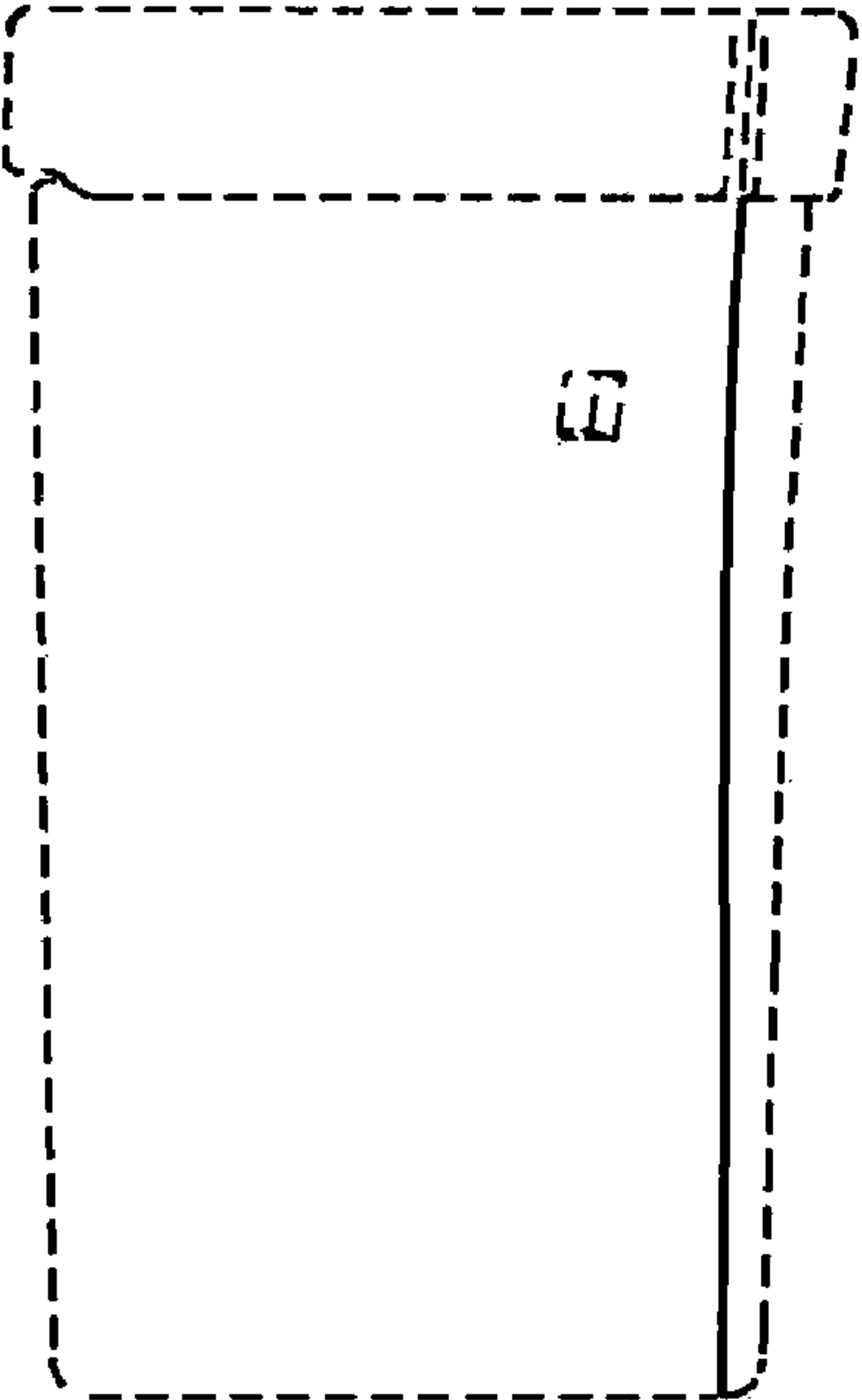
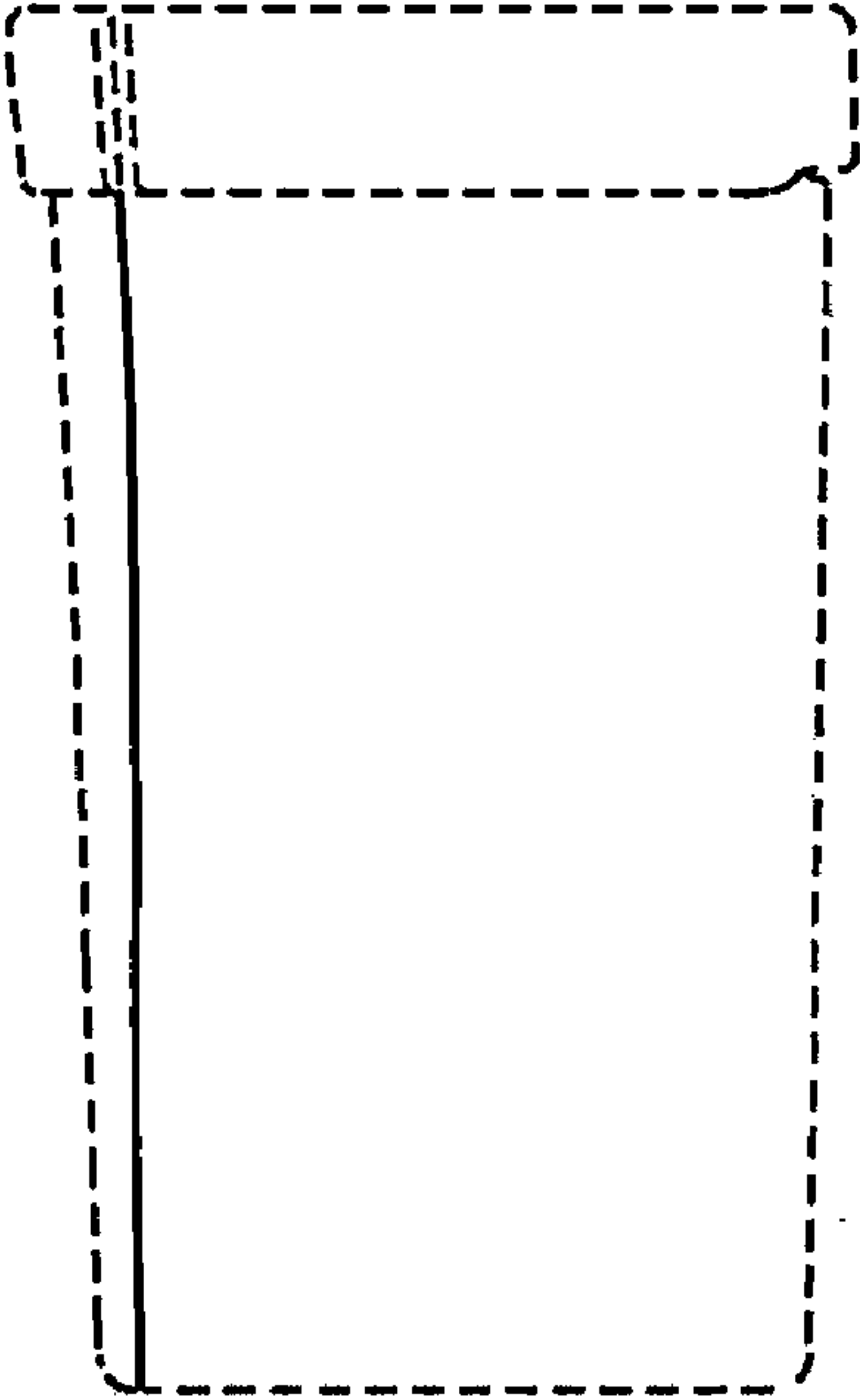


FIG. 4



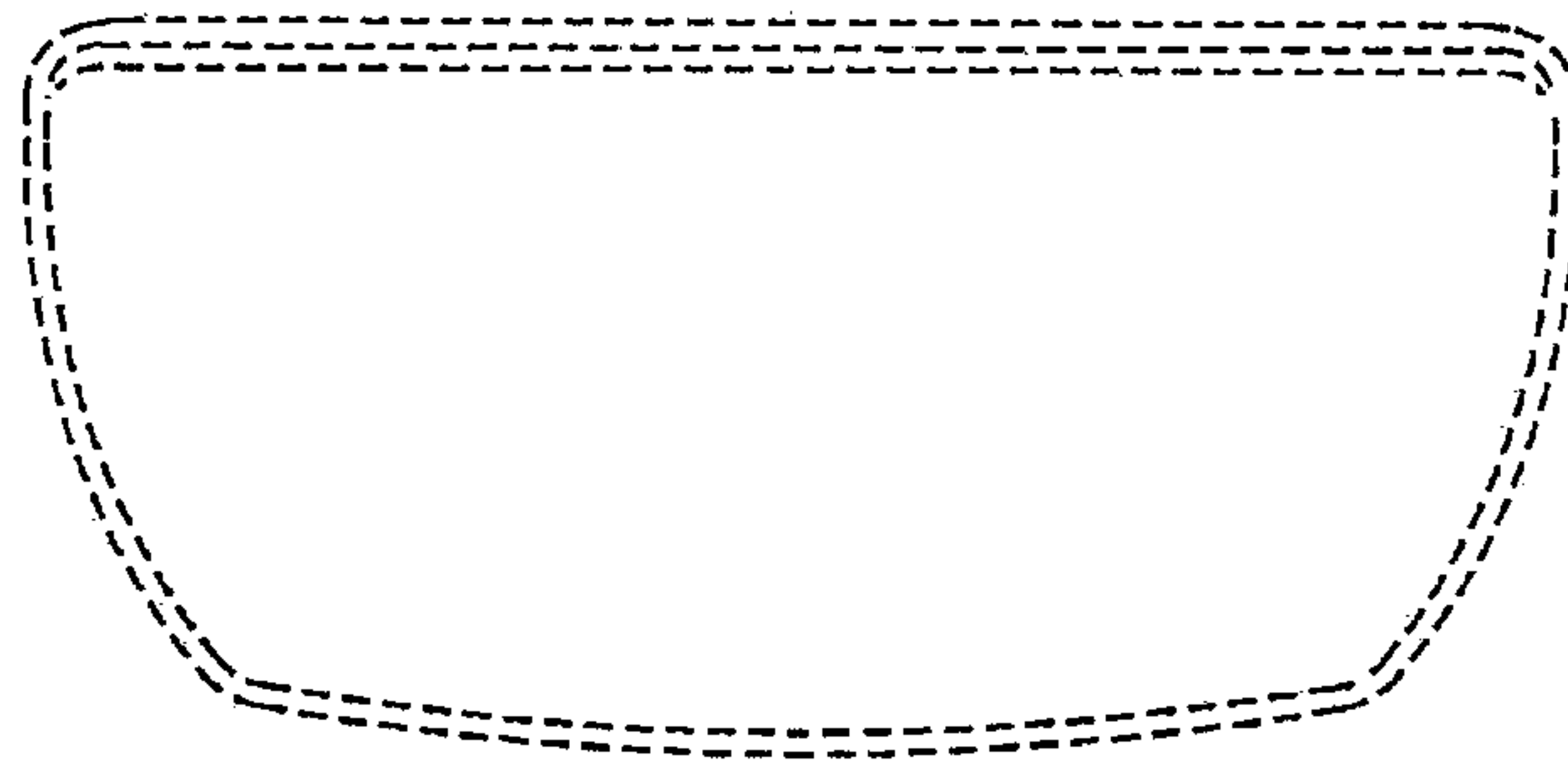


FIG. 5

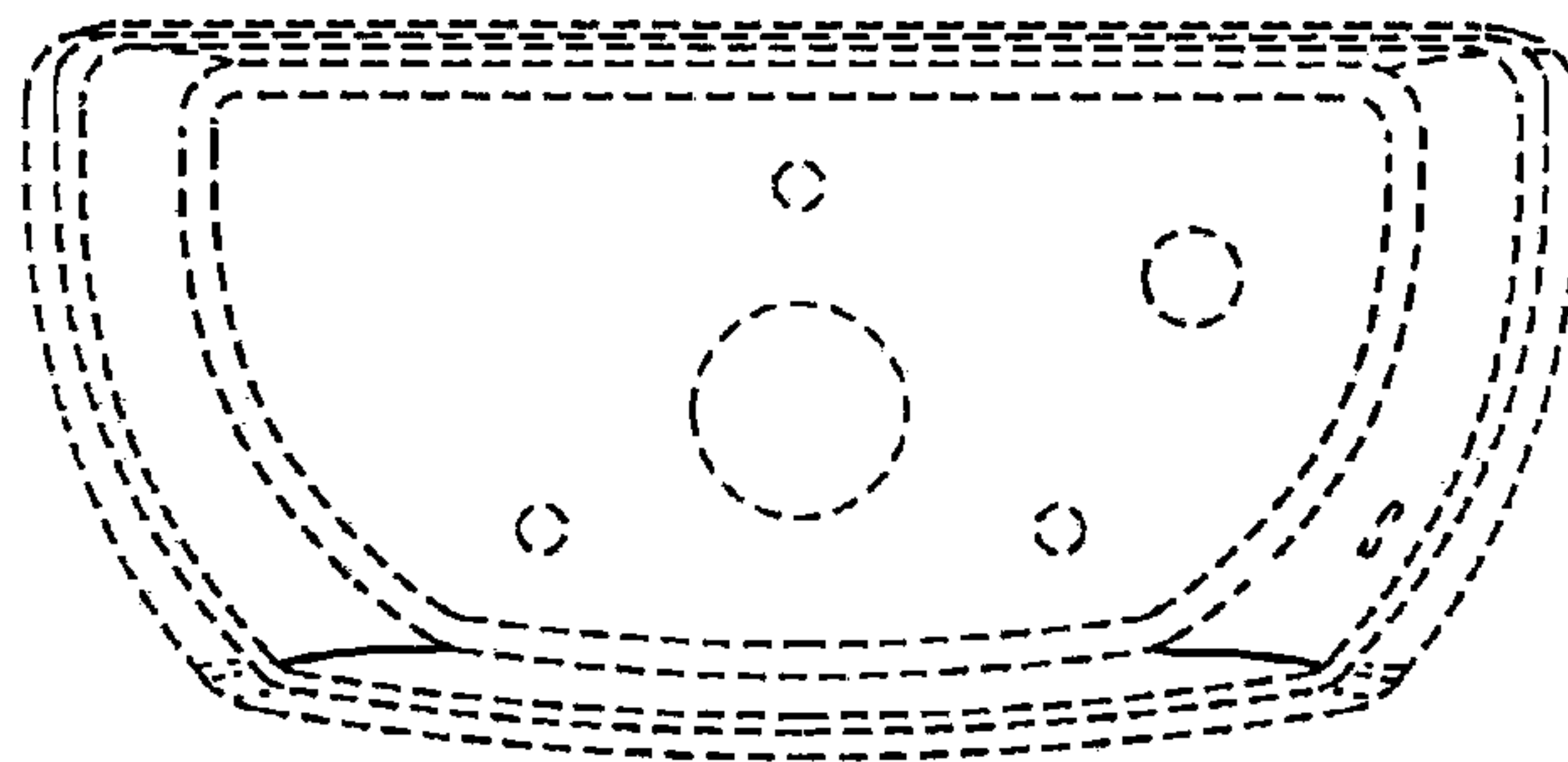


FIG. 6

FIG. 7

