



US00D678489S

(12) **United States Design Patent**
Eilmus et al.

(10) **Patent No.:** **US D678,489 S**
(45) **Date of Patent:** **** Mar. 19, 2013**

- (54) **SINK**
- (71) Applicant: **Kohler Co.**, Kohler, WI (US)
- (72) Inventors: **Niels J. Eilmus**, Sheboygan, WI (US);
Shawn J. Booth, Sheboygan, WI (US)
- (73) Assignee: **Kohler Co.**, Kohler, WI (US)
- (**) Term: **14 Years**
- (21) Appl. No.: **29/438,201**
- (22) Filed: **Nov. 27, 2012**

D518,881 S *	4/2006	Ziemann	D23/290
D545,409 S *	6/2007	Plikuhn	D23/290
D570,459 S	6/2008	Kitzmiller	
D570,460 S	6/2008	Kitzmiller	
D570,968 S	6/2008	Kitzmiller	
D570,969 S	6/2008	Kitzmiller	
D600,334 S *	9/2009	Chong	D23/308
D627,864 S	11/2010	Eilmus et al.	
D627,865 S	11/2010	Eilmus	
D634,826 S *	3/2011	Booth	D23/290
D635,228 S	3/2011	Eilmus et al.	
D641,073 S *	7/2011	Booth	D23/308
D645,549 S *	9/2011	Booth	D23/290

* cited by examiner

Primary Examiner — Robert Delehanty
(74) *Attorney, Agent, or Firm* — Foley & Lardner LLP

Related U.S. Application Data

- (62) Division of application No. 29/400,565, filed on Aug. 30, 2011.
- (51) **LOC (9) Cl.** **23-02**
- (52) **U.S. Cl.** **D23/308**
- (58) **Field of Classification Search** D23/284,
D23/290, 308; 4/619, 639–642, 660
See application file for complete search history.

(57) **CLAIM**
We claim the ornamental design for a sink, as shown and described.

DESCRIPTION

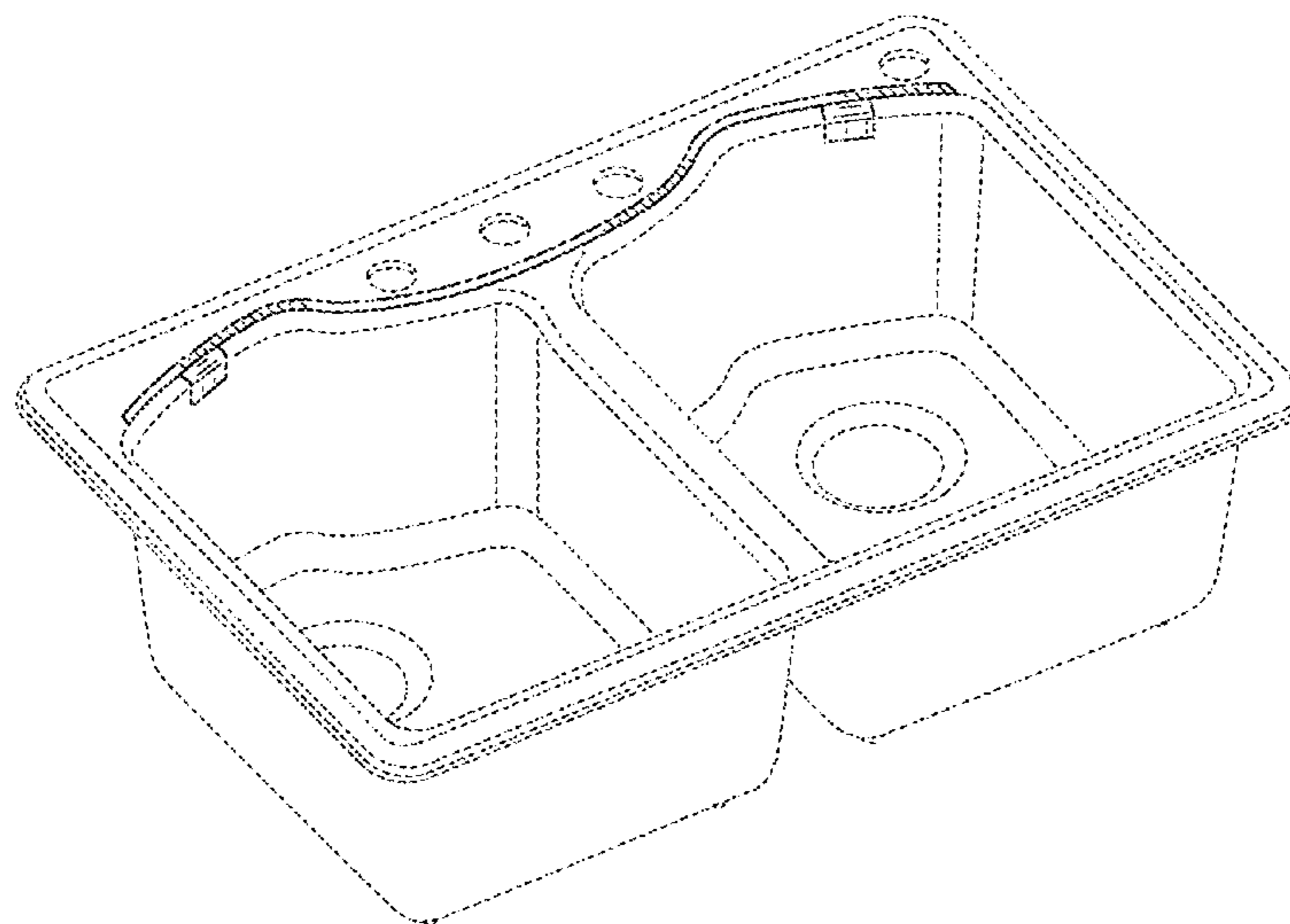
FIG. 1 is a top perspective view of an embodiment of the claimed design;
 FIG. 2 is a top plan view of the claimed design of FIG. 1;
 FIG. 3 is a front elevation view of the claimed design of FIG. 1;
 FIG. 4 is a right-side elevation view of the claimed design of FIG. 1;
 FIG. 5 is a left-side elevation view of the claimed design of FIG. 1;
 FIG. 6 is a rear elevation view of the claimed design of FIG. 1; and,
 FIG. 7 is a bottom plan view of the claimed design of FIG. 1.
 The ornamental design which is claimed is shown in solid lines in the drawings. The broken lines in the drawings are for illustrative purposes only and form no part of the claimed design. The dot-dash lines in the drawings define boundaries of the claimed design and form no part thereof.

(56) **References Cited**

U.S. PATENT DOCUMENTS

D88,713 S	12/1932	Kohler et al.	
D89,200 S	2/1933	Kohler et al.	
D295,068 S	4/1988	Kohler et al.	
D325,246 S	4/1992	Sauter et al.	
D328,339 S	7/1992	Sauter et al.	
D395,699 S *	6/1998	Hundley	D23/290
D425,187 S	5/2000	Adamavich	
D428,478 S *	7/2000	Arnold et al.	D23/290
D428,975 S *	8/2000	Arnold et al.	D23/290
D455,821 S	4/2002	Bayer et al.	
D464,125 S	10/2002	Bayer et al.	
D464,126 S	10/2002	Bayer et al.	
D464,411 S	10/2002	Bayer et al.	
D471,263 S	3/2003	Bayer et al.	
D473,292 S	4/2003	Paredes	
D518,561 S *	4/2006	Gordon	D23/290

1 Claim, 5 Drawing Sheets



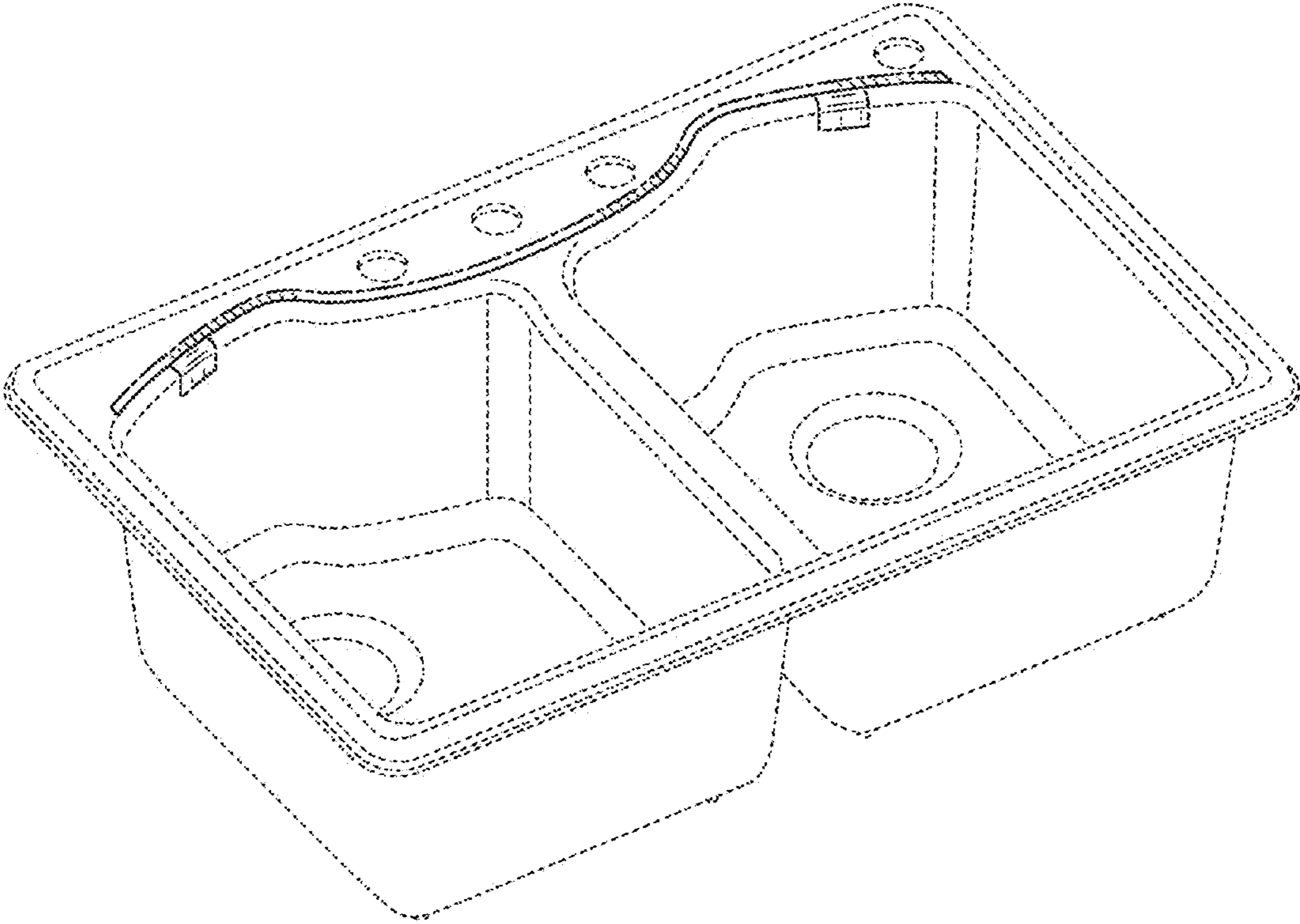


FIG. 1

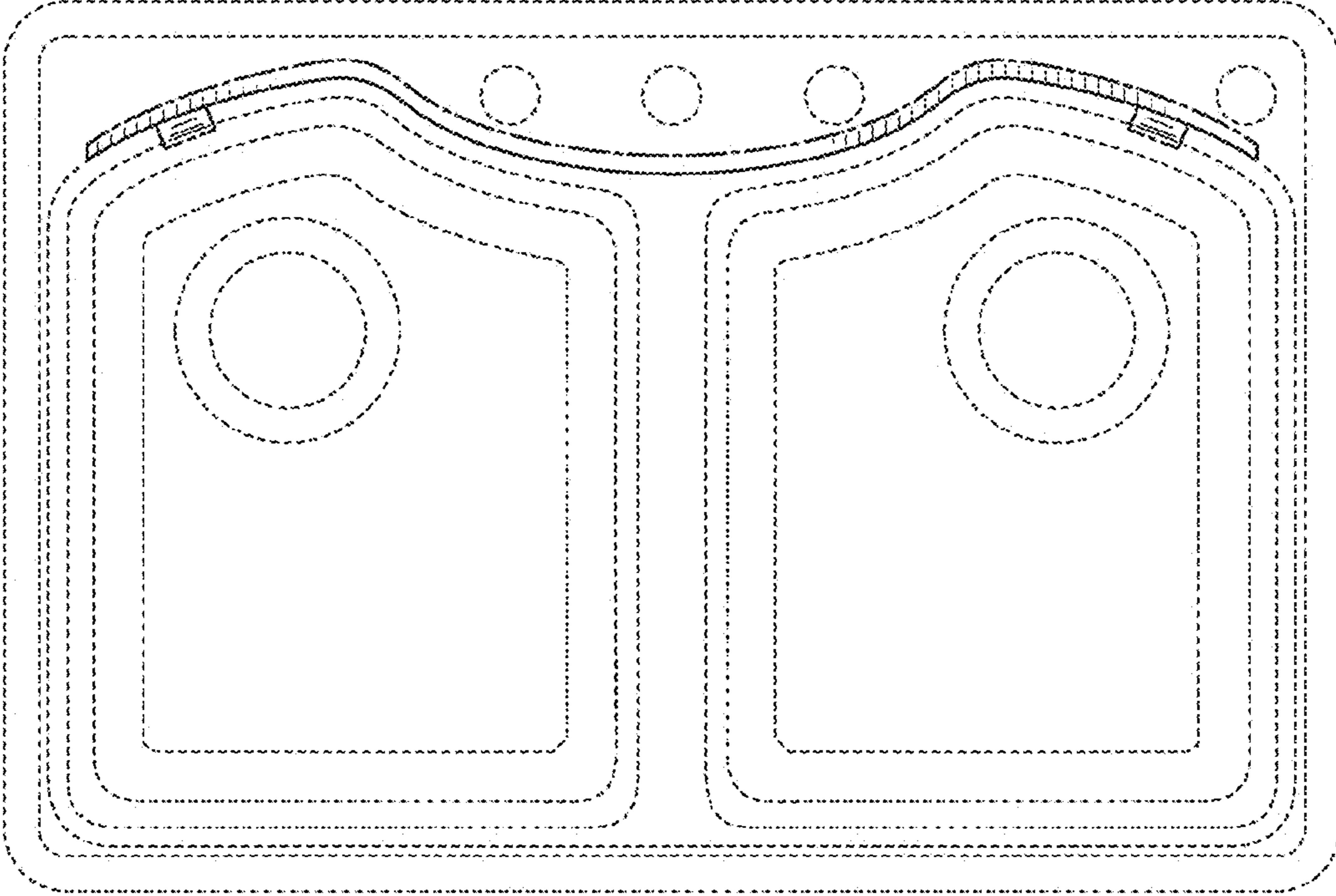


FIG. 2

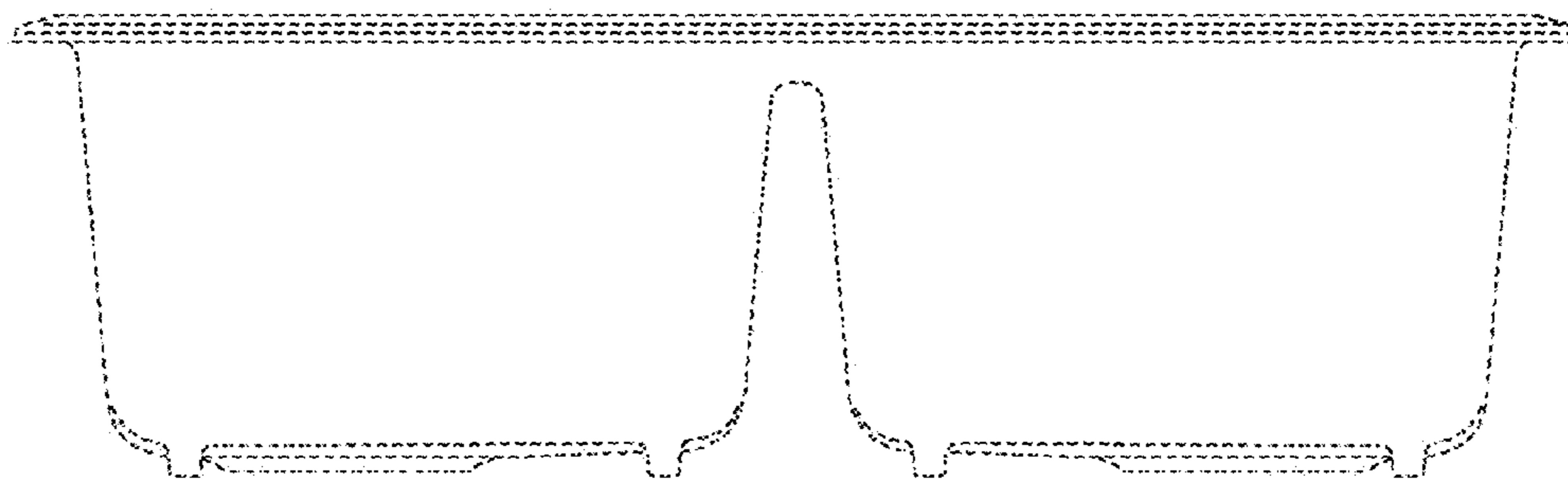


FIG. 3

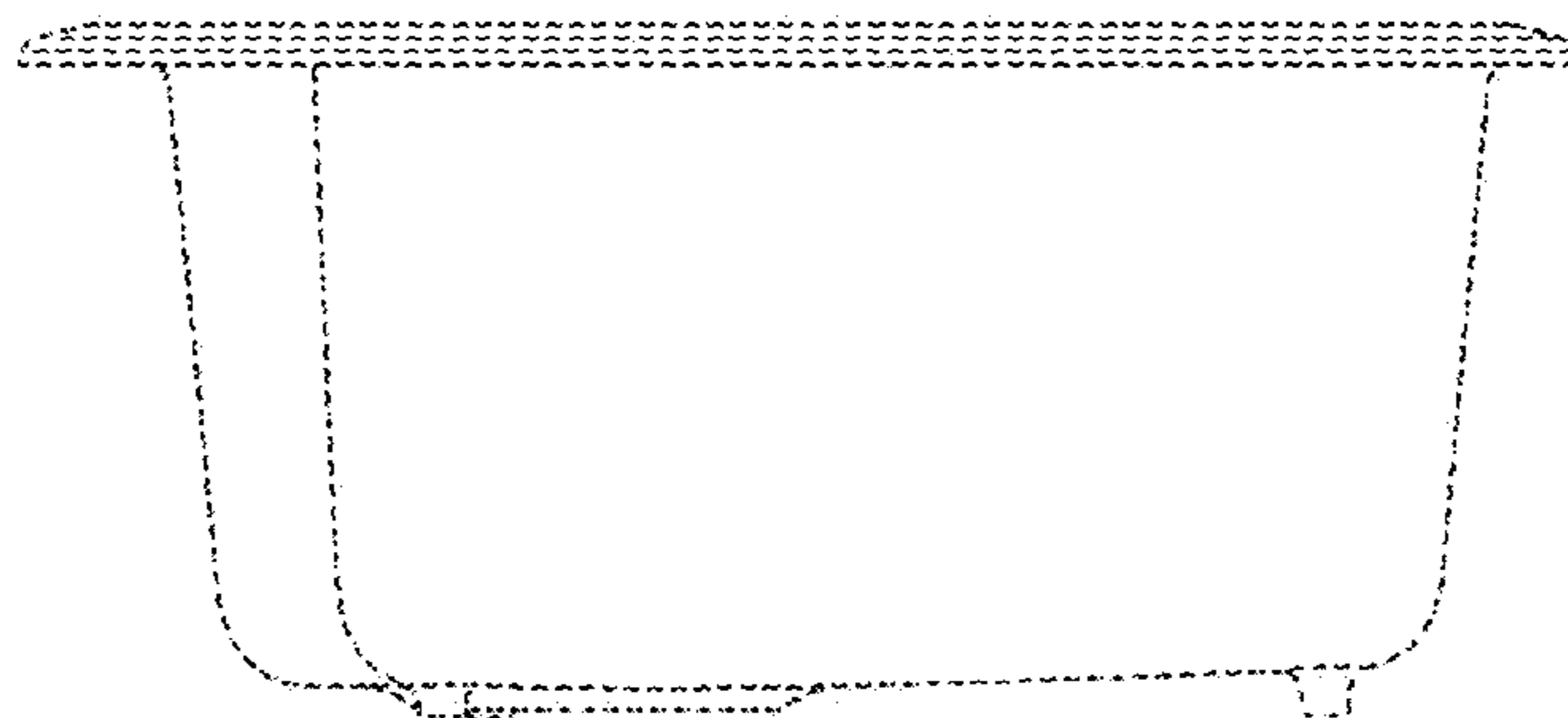


FIG. 4

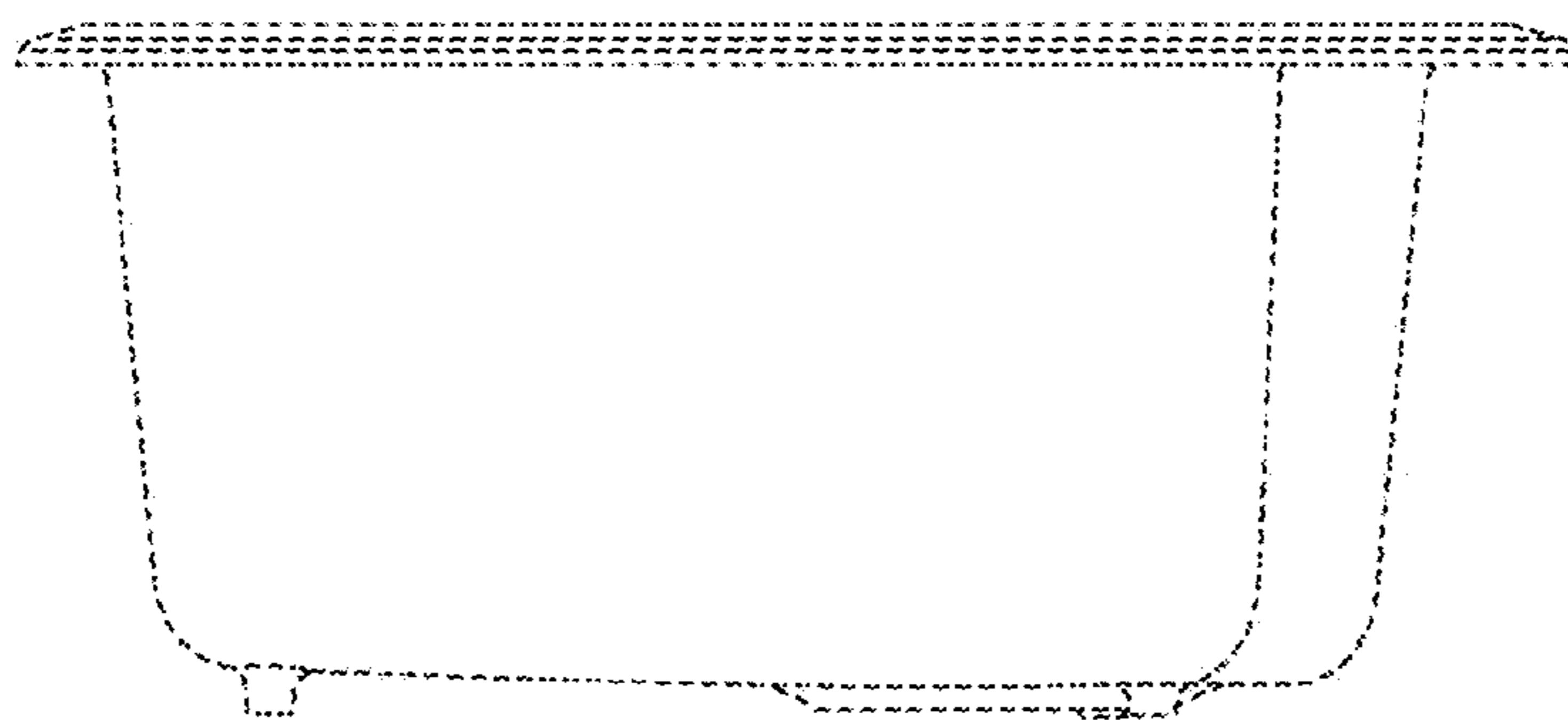


FIG. 5

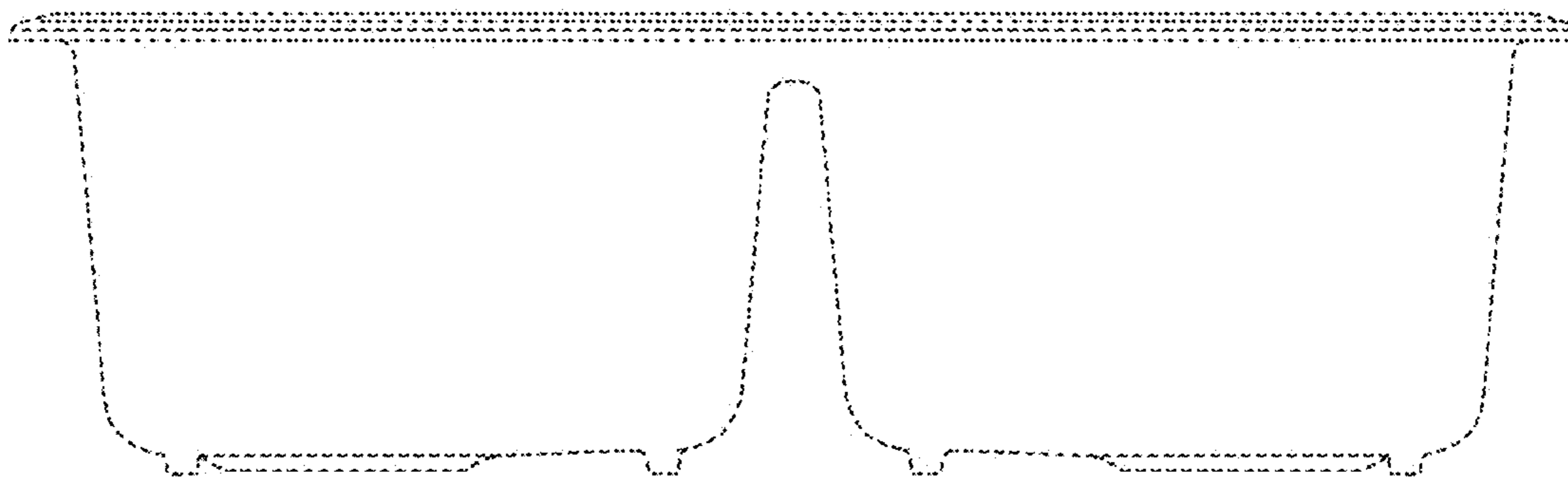


FIG. 6

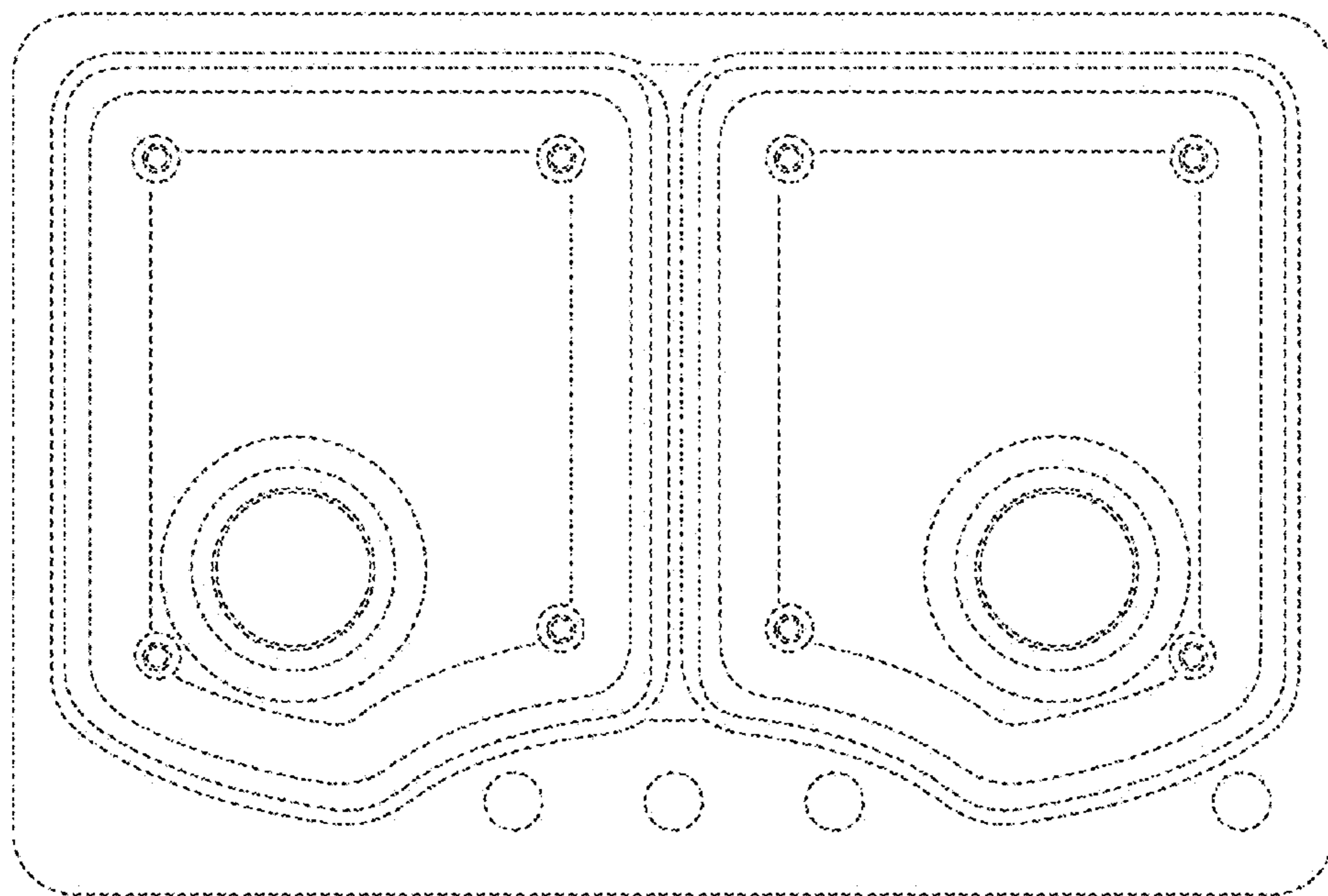


FIG. 7