



US00D678488S

(12) **United States Design Patent**  
**Schachter et al.**

(10) **Patent No.:** **US D678,488 S**  
(45) **Date of Patent:** **\*\* Mar. 19, 2013**

(54) **SHOWER BASE**

(75) Inventors: **Robert Schachter**, Montreal (CA); **Chi Hai Pham**, Brossard (CA); **Chifen Cheng**, Montreal (CA)

(73) Assignee: **Fleurco Products Inc.**, Montreal (CA)

(\*\*) Term: **14 Years**

(21) Appl. No.: **29/430,920**

(22) Filed: **Aug. 31, 2012**

(30) **Foreign Application Priority Data**

Jul. 31, 2012 (CA) ..... 146739

(51) **LOC (9) Cl.** ..... **23-02**

(52) **U.S. Cl.** ..... **D23/304**

(58) **Field of Classification Search** ..... D23/283,  
D23/303-304; 4/590, 584, 552, 578.1, 579,  
4/596, 597

See application file for complete search history.

(56) **References Cited**

**U.S. PATENT DOCUMENTS**

2,173,185	A *	9/1939	Stanton	.....	4/663
2,572,463	A *	10/1951	Fine	.....	4/549
3,711,872	A	1/1973	Jarosinski		
D254,748	S	4/1980	Anderson		
D332,136	S	12/1992	Salach		
5,185,892	A	2/1993	Mitchell		

D351,462	S *	10/1994	Bengtson	.....	D23/306
5,463,780	A	11/1995	McAllister et al.		
D405,873	S *	2/1999	Funk et al.	.....	D23/283
D611,129	S *	3/2010	Hisey	.....	D23/304
D648,839	S *	11/2011	Garrels	.....	D23/304
D666,280	S *	8/2012	Reedy et al.	.....	D23/283

**FOREIGN PATENT DOCUMENTS**

DE	4422604	A1	2/1996
JP	1999071922		3/1999
JP	2000217733	A	8/2000

\* cited by examiner

*Primary Examiner* — Robert Delehanty

(74) *Attorney, Agent, or Firm* — Eric L. Lane; McKenna Long & Aldridge LLP

(57) **CLAIM**

The ornamental design for a shower base, as shown and described.

**DESCRIPTION**

FIG. 1 is a front elevated view showing an embodiment of the design;

FIG. 2 is a rear elevated view thereof;

FIG. 3 is a front view thereof;

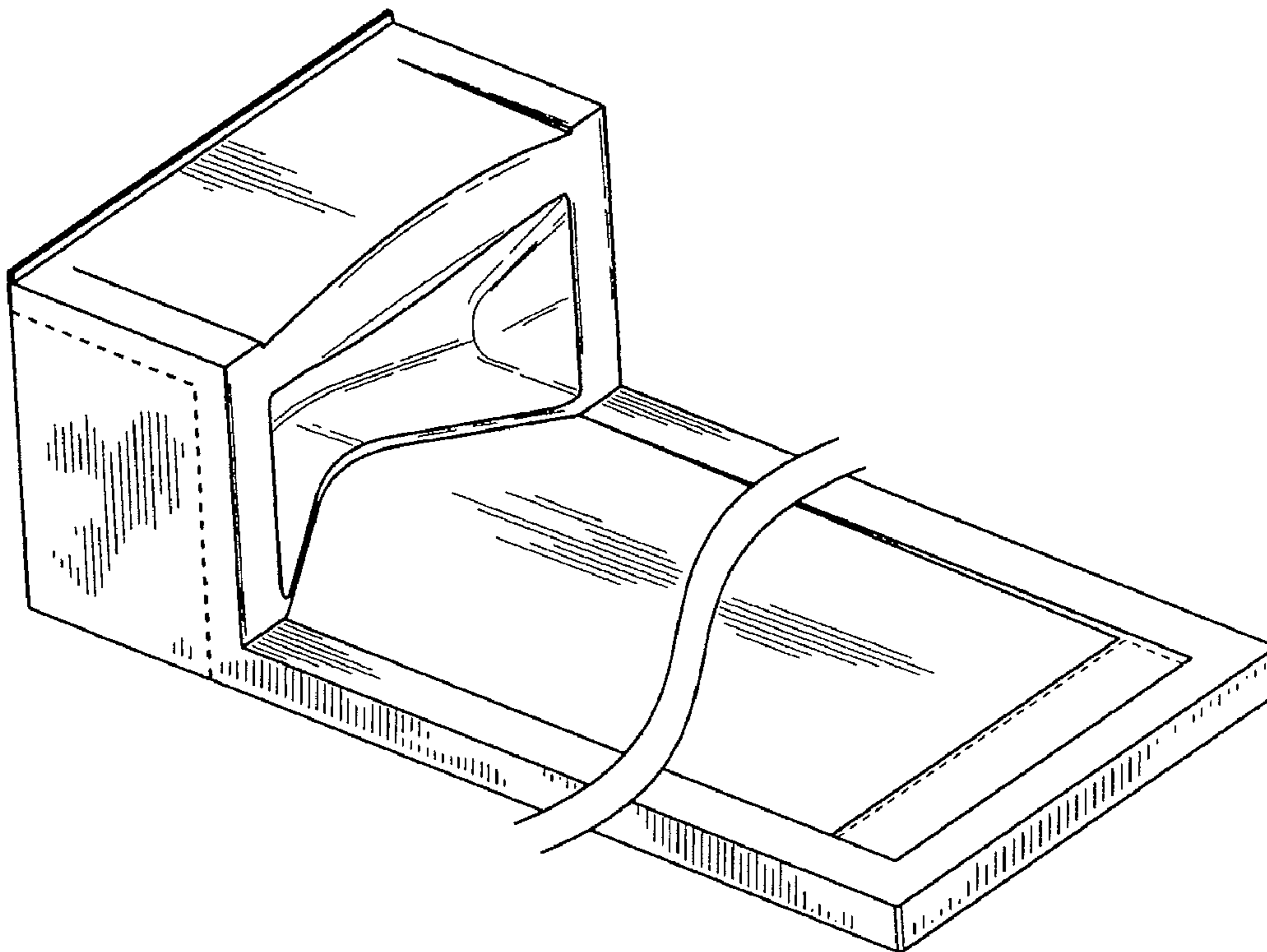
FIG. 4 is a rear view thereof;

FIG. 5 is a side view thereof; and,

FIG. 6 is a top view thereof.

The broken lines included in the drawings are for the purpose of illustrating a portion of the shower base that forms no part of the claimed design.

**1 Claim, 3 Drawing Sheets**



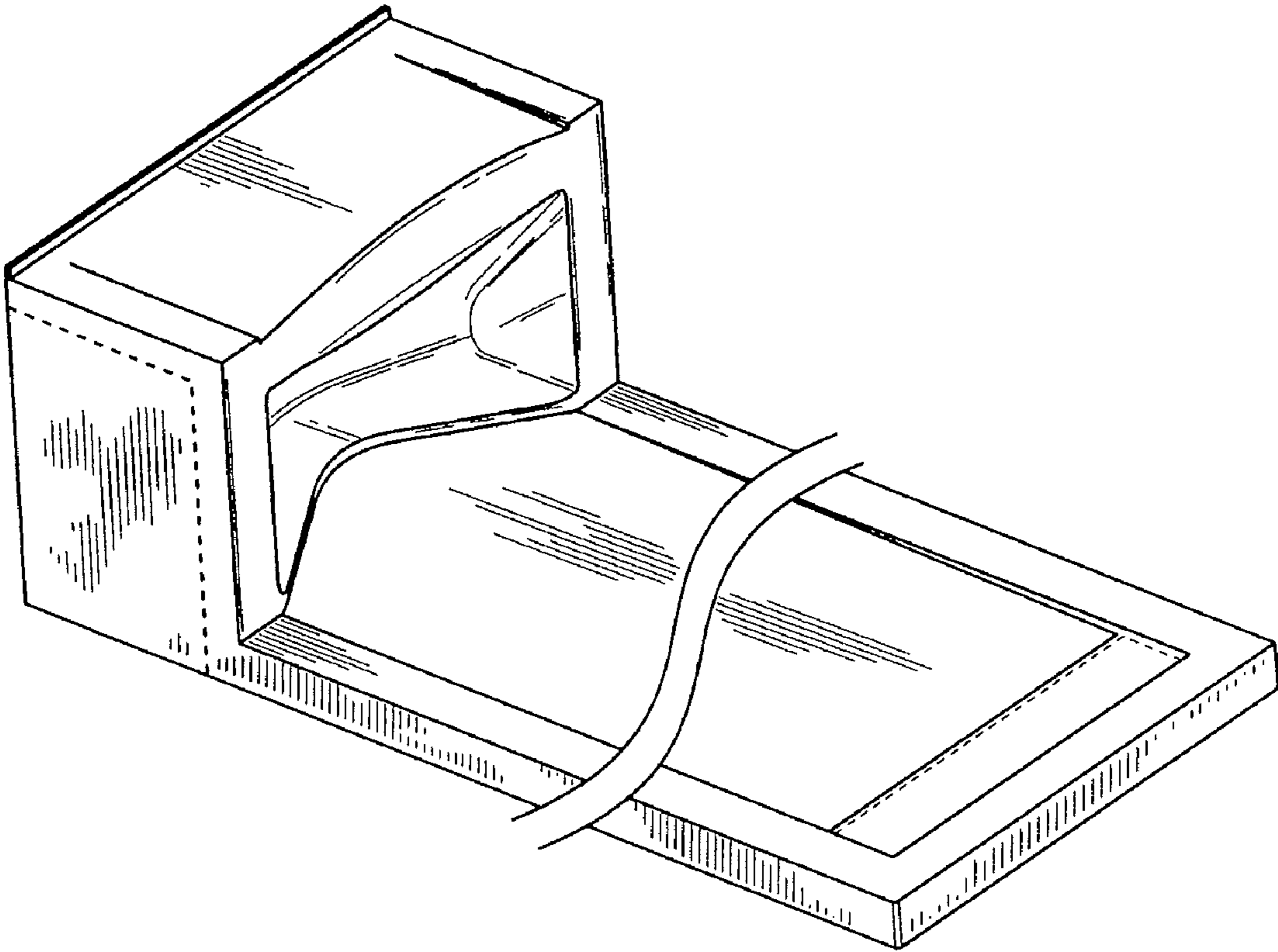


FIG. 1

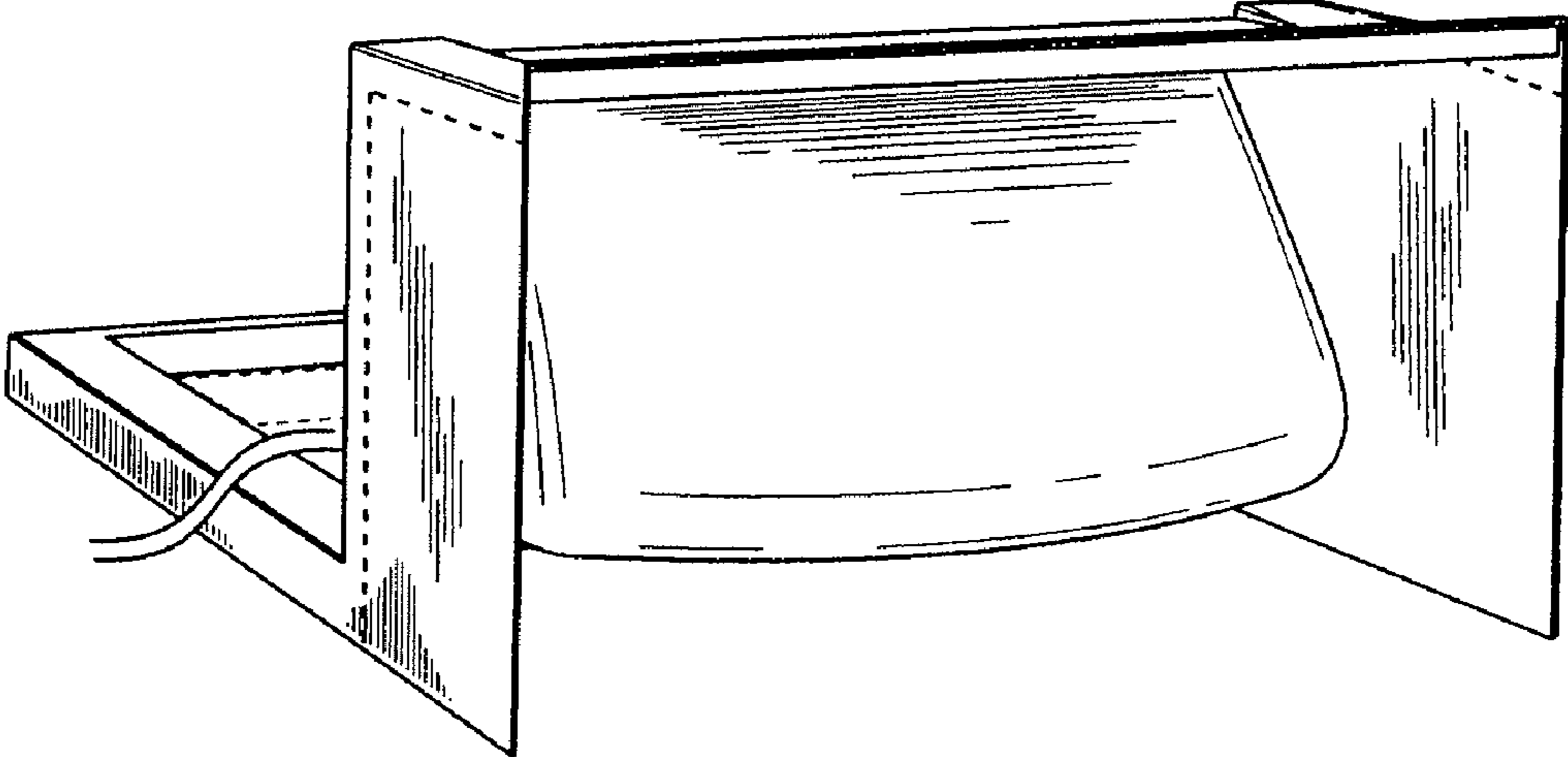


FIG. 2

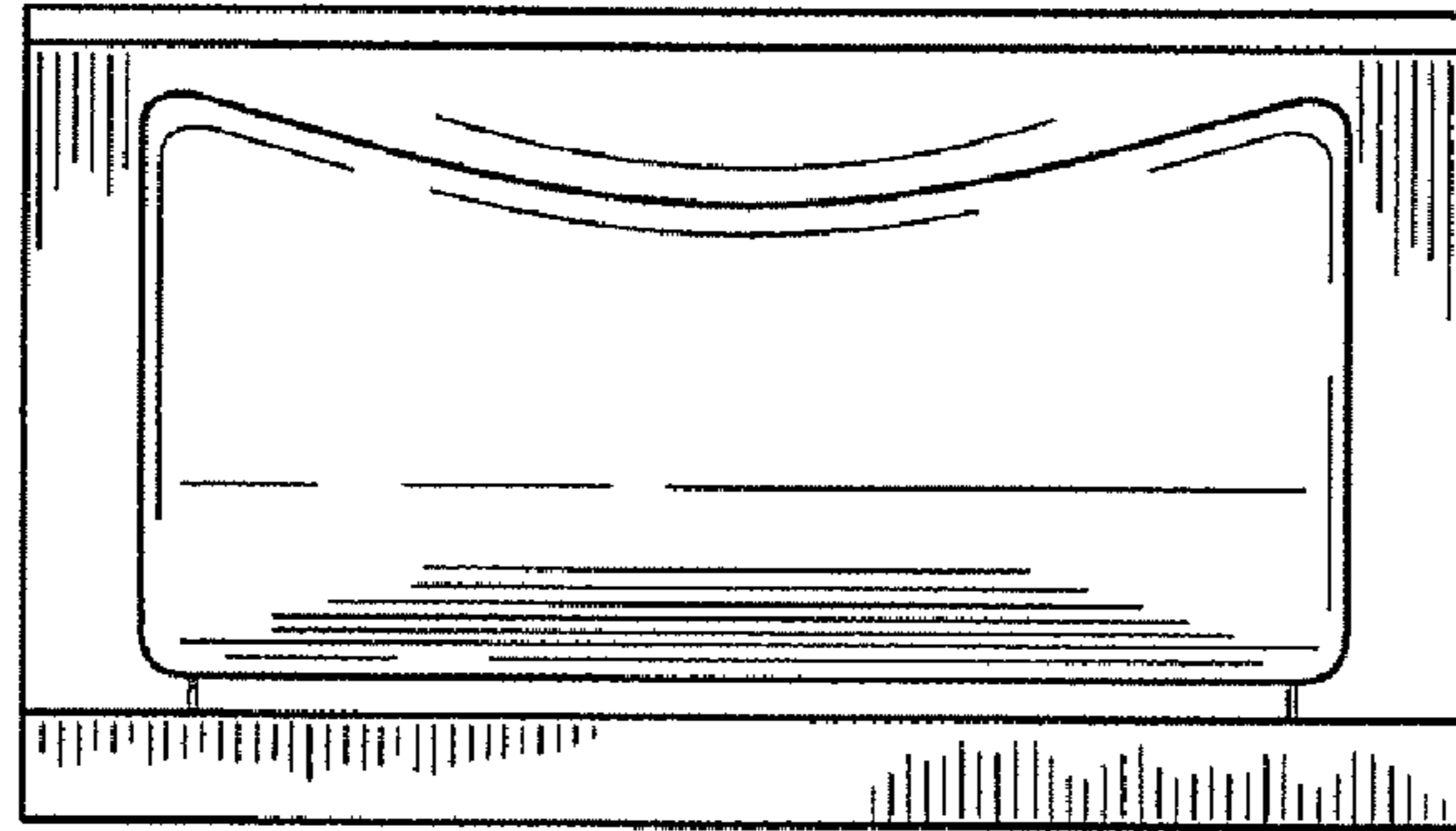


FIG. 3

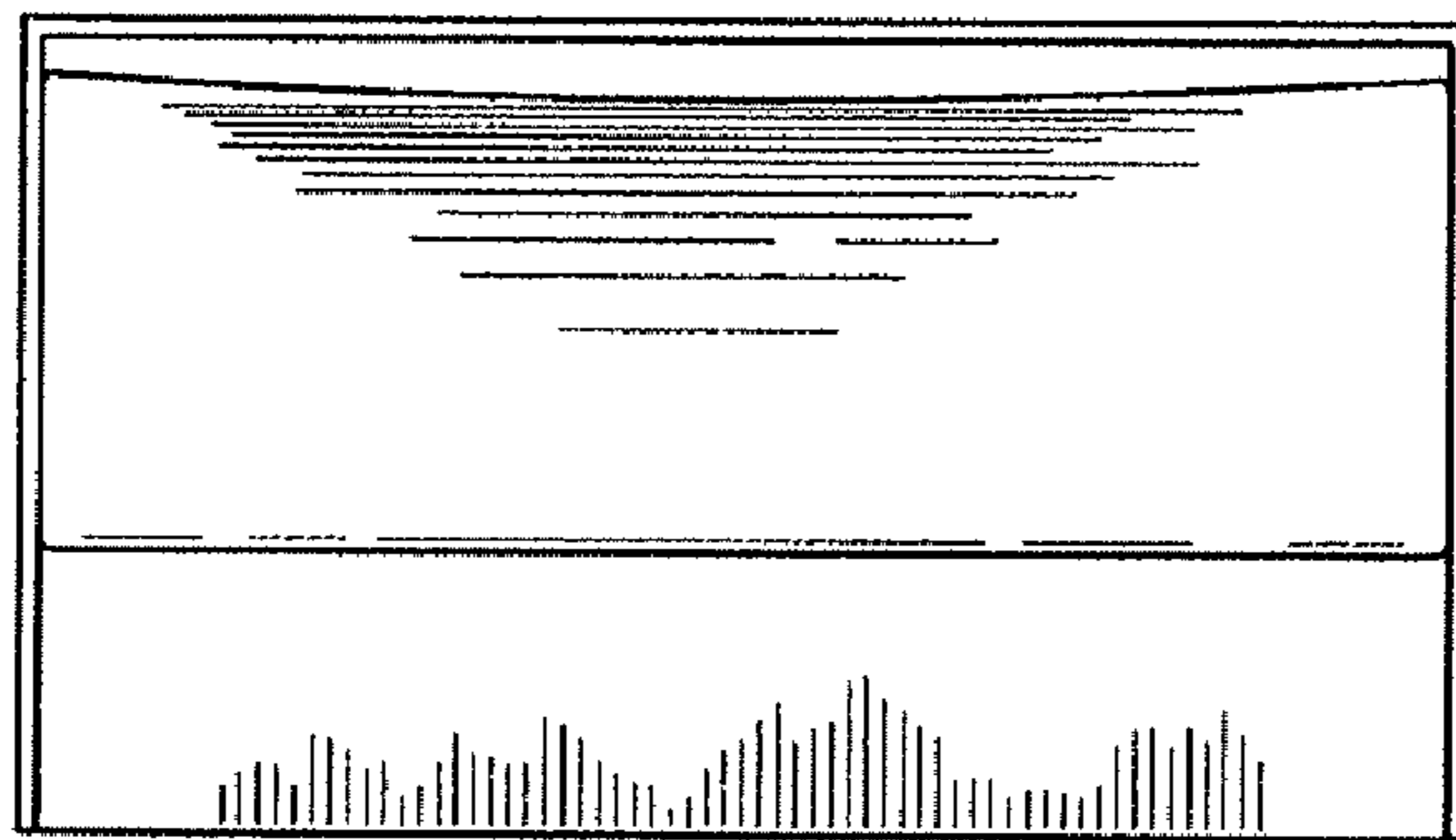


FIG. 4

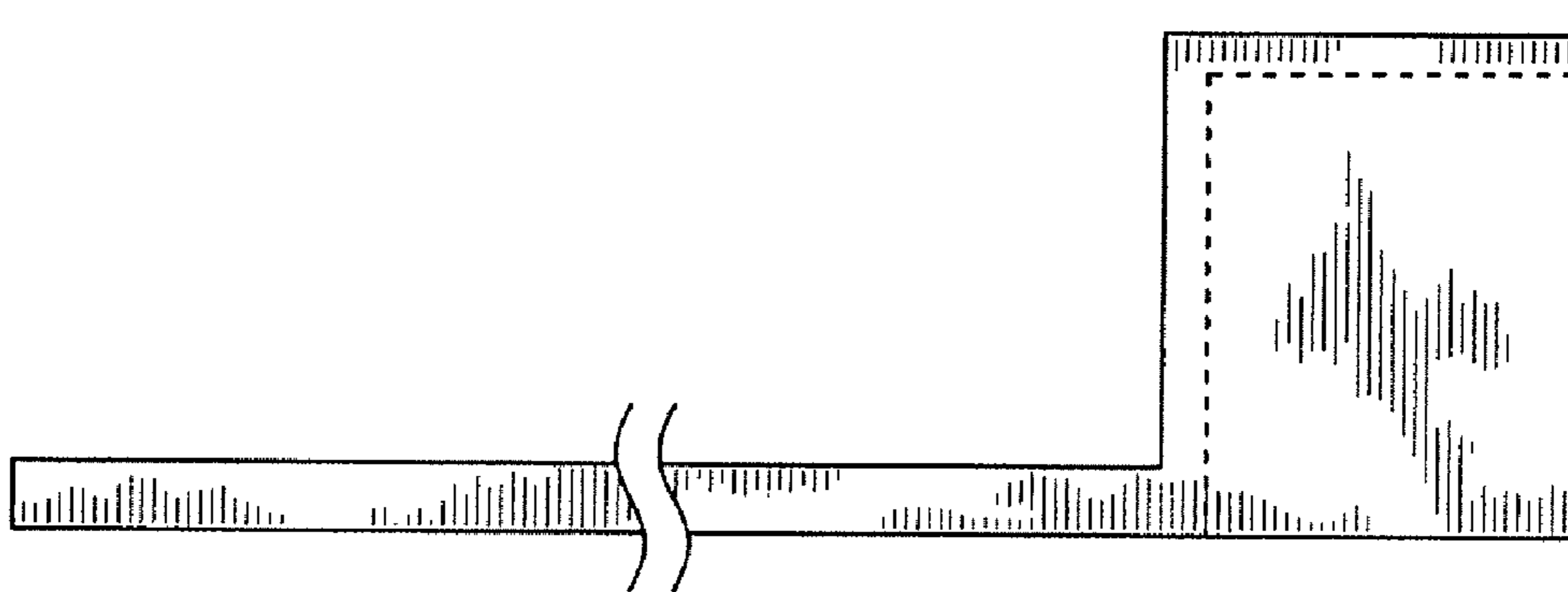


FIG. 5

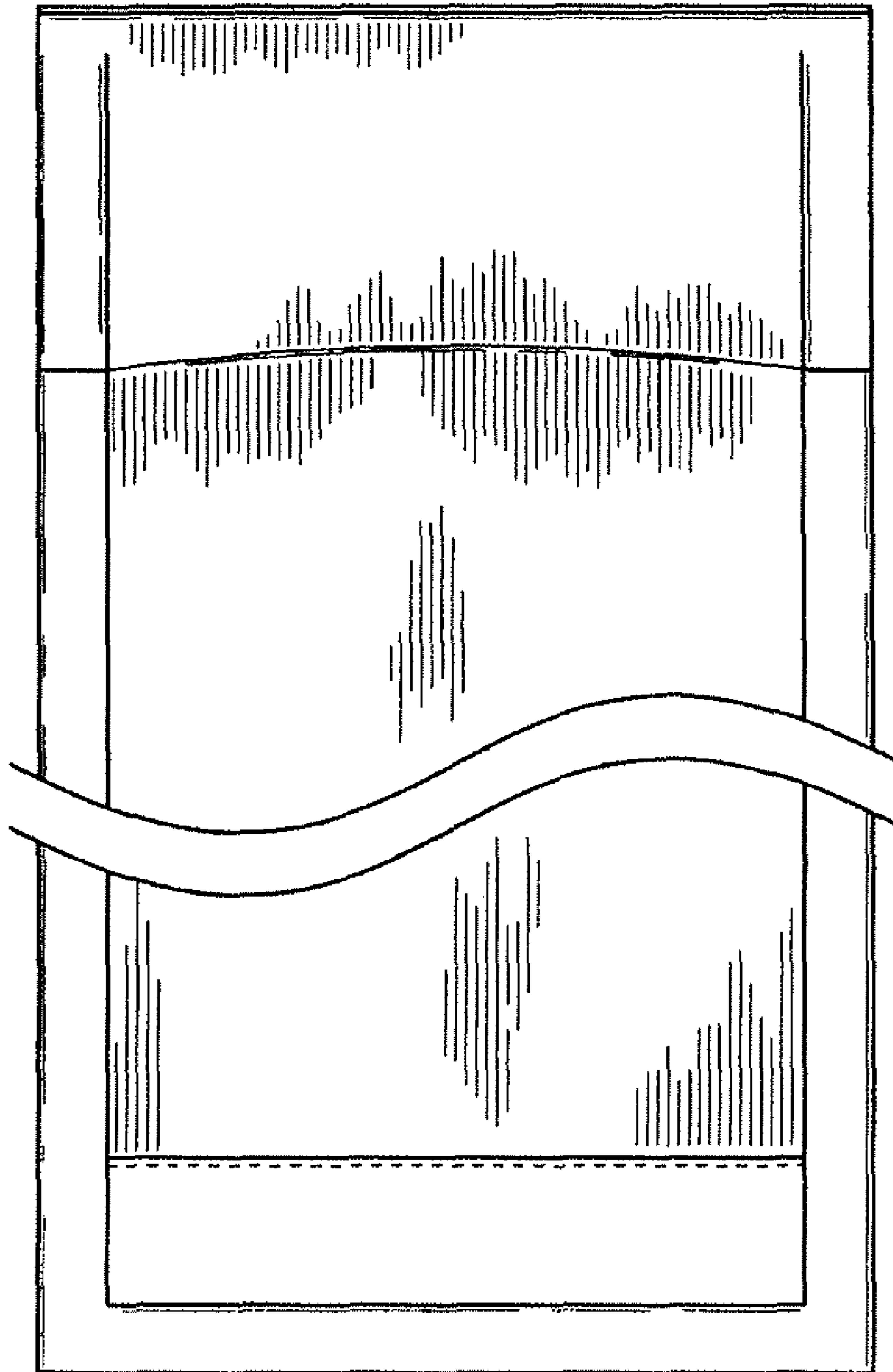


FIG. 6