

US00D678485S

(12) **United States Design Patent**
Bickerstaffe et al.

(10) **Patent No.:** **US D678,485 S**
(45) **Date of Patent:** **** Mar. 19, 2013**

(54) **PLUMBING FIXTURE**

(75) Inventors: **S. Mark Bickerstaffe**, Clevedon (GB);
Stefano Rossini, Rome (IT); **Alexander Durringer**, Rome (IT)

(73) Assignee: **Kohler France S.A.S.**, St. Denis Cedex (FR)

(**) Term: **14 Years**

(21) Appl. No.: **29/430,652**

(22) Filed: **Aug. 28, 2012**

Related U.S. Application Data

(60) Division of application No. 29/416,836, filed on Mar. 27, 2012, now Pat. No. Des. 667,941, which is a division of application No. 29/393,543, filed on Jun. 6, 2011, now Pat. No. Des. 657,031, which is a continuation-in-part of application No. 29/358,477, filed on Mar. 26, 2010, now Pat. No. Des. 641,456.

(30) **Foreign Application Priority Data**

Sep. 28, 2009 (EM) 001167381

(51) **LOC (9) Cl.** **23-02**

(52) **U.S. Cl.** **D23/301**

(58) **Field of Classification Search** D23/295,
D23/301, 303, 309, 313; 4/300, 353, 420,
4/DIG. 15

See application file for complete search history.

(56) **References Cited**

U.S. PATENT DOCUMENTS

D586,893 S * 2/2009 Cummings et al. D23/295
D600,333 S * 9/2009 Liu D23/295
D624,996 S * 10/2010 Schonherr et al. D23/300

OTHER PUBLICATIONS

Delafon. Floor Mounted Plumbing Fixture. Jacobdelafon.com online catalog.

Delafon. Wall Mounted Plumbing Fixture. Jacobdelafon.com online catalog.

Duravit. Sanitary Appliances. OAMI-Online-RCD-Online-Design Consultation Service—RCD Information.

Toto. Elongated Guinevere One Piece Toilet, with Toilet Seat, 1.6 GPF-SanaGloss—MS974224CFG.

Kohler. Purist Hatbox Toilet K-3492. Kohler.com online catalog.

Duravit. D19052—Starck 3 Elongated One Piece Toilet, SKU#DRV1171. BathroomFurnitureDirect.com online catalog.

Copyright 2002-2009 Bathroom Furniture Direct, a division of CSN Stores LLC.

Nameeks Art. Scarabeo One-Piece Toilet, White Model No. 8208. FixtureUniverse.com online catalog. Copyright 1999-2009 Allied Trade Group, Inc.

Notice of Allowance, dated Feb. 14, 2011, for U.S. Appl. No. 29/358,466, filed Mar. 26, 2010.

* cited by examiner

Primary Examiner — Robert Delehanty

(74) *Attorney, Agent, or Firm* — Foley & Lardner LLP

(57) **CLAIM**

We claim the ornamental design for a plumbing fixture, as shown and described.

DESCRIPTION

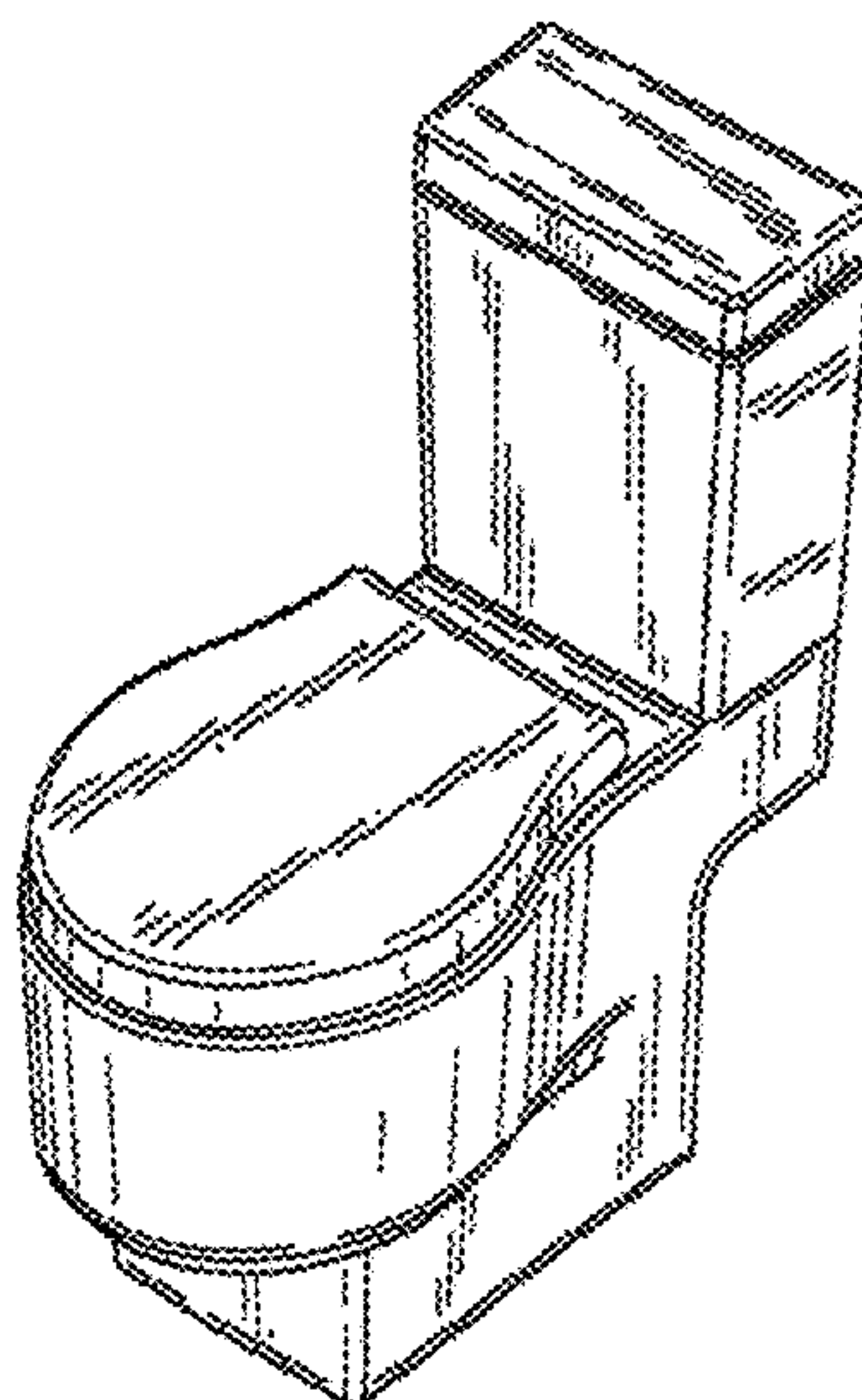
FIG. 1 is a top perspective view of another embodiment of the claimed design;

FIG. 2 is a front view of the claimed design of FIG. 1;

FIG. 3 is a top plan view of the claimed design of FIG. 1; and, FIG. 4 is a left-side view of the claimed design of FIG. 1.

The ornamental design which is claimed is shown in solid lines in the drawings. The broken lines in the drawings are for illustrative purposes only and form no part of the claimed design.

1 Claim, 4 Drawing Sheets



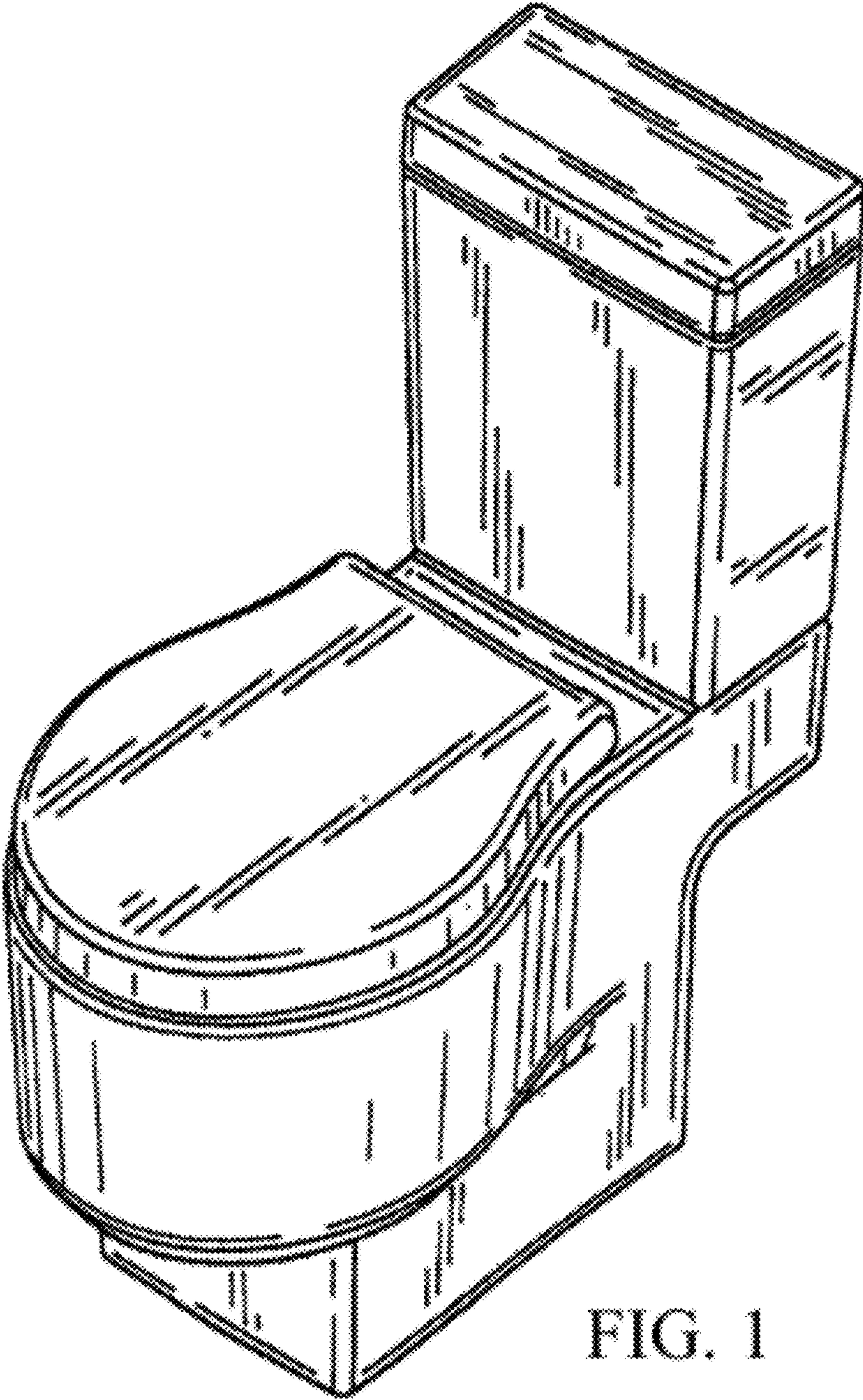


FIG. 1

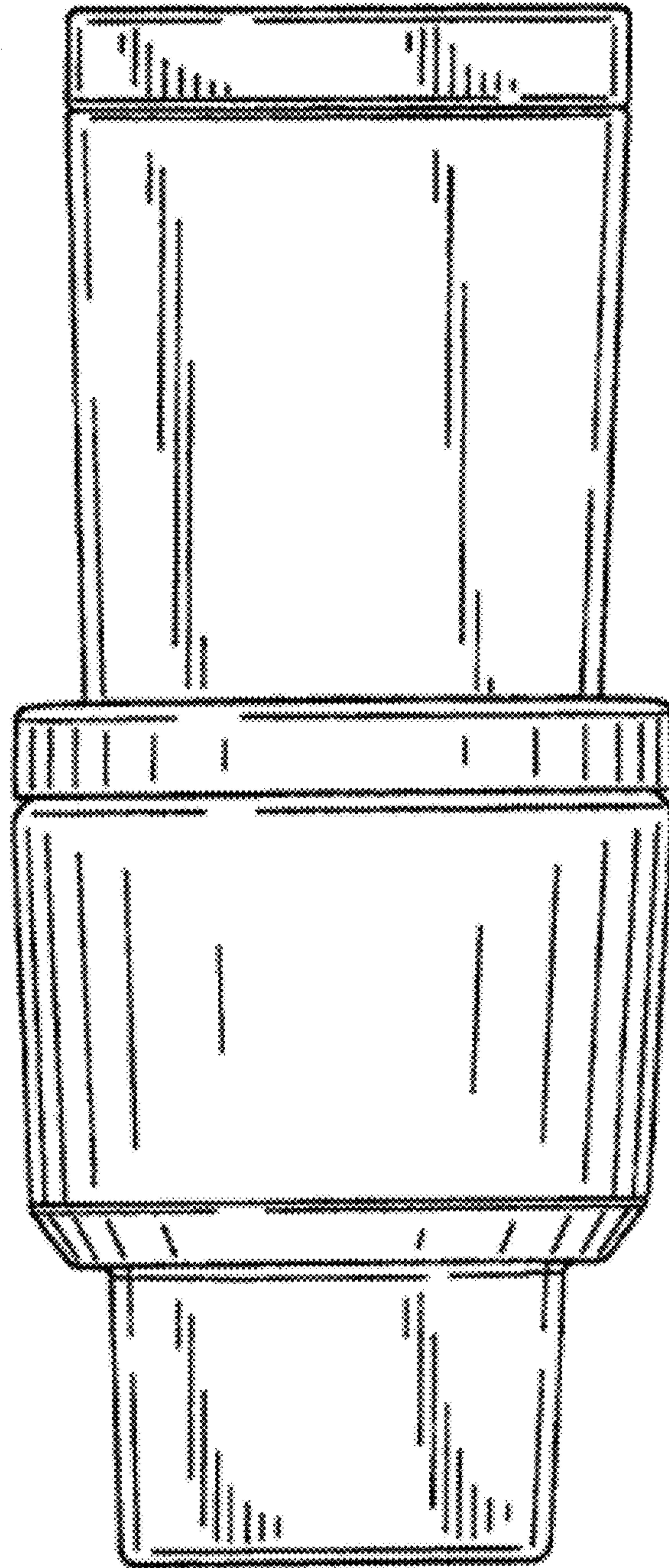


FIG. 2

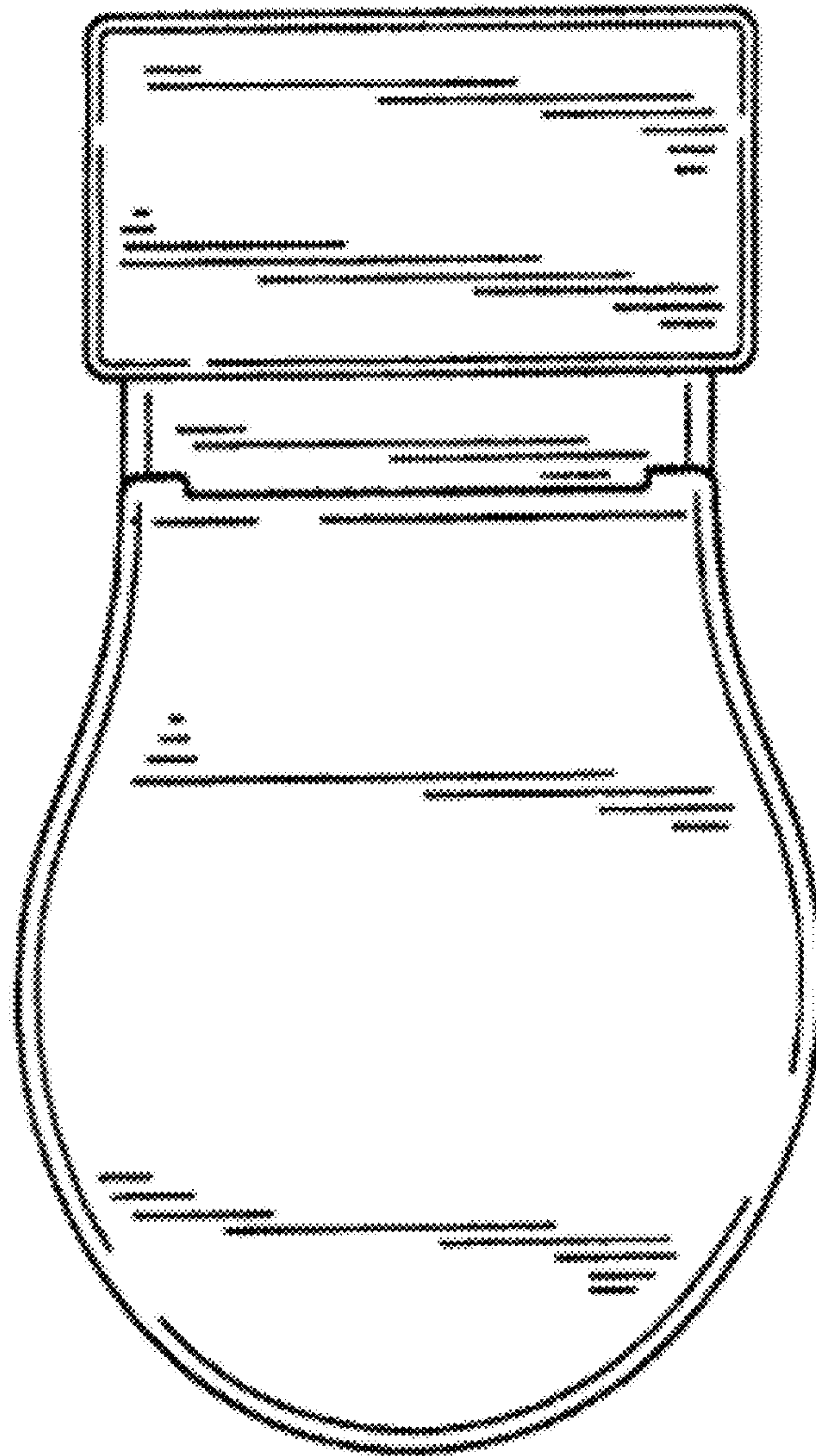


FIG. 3

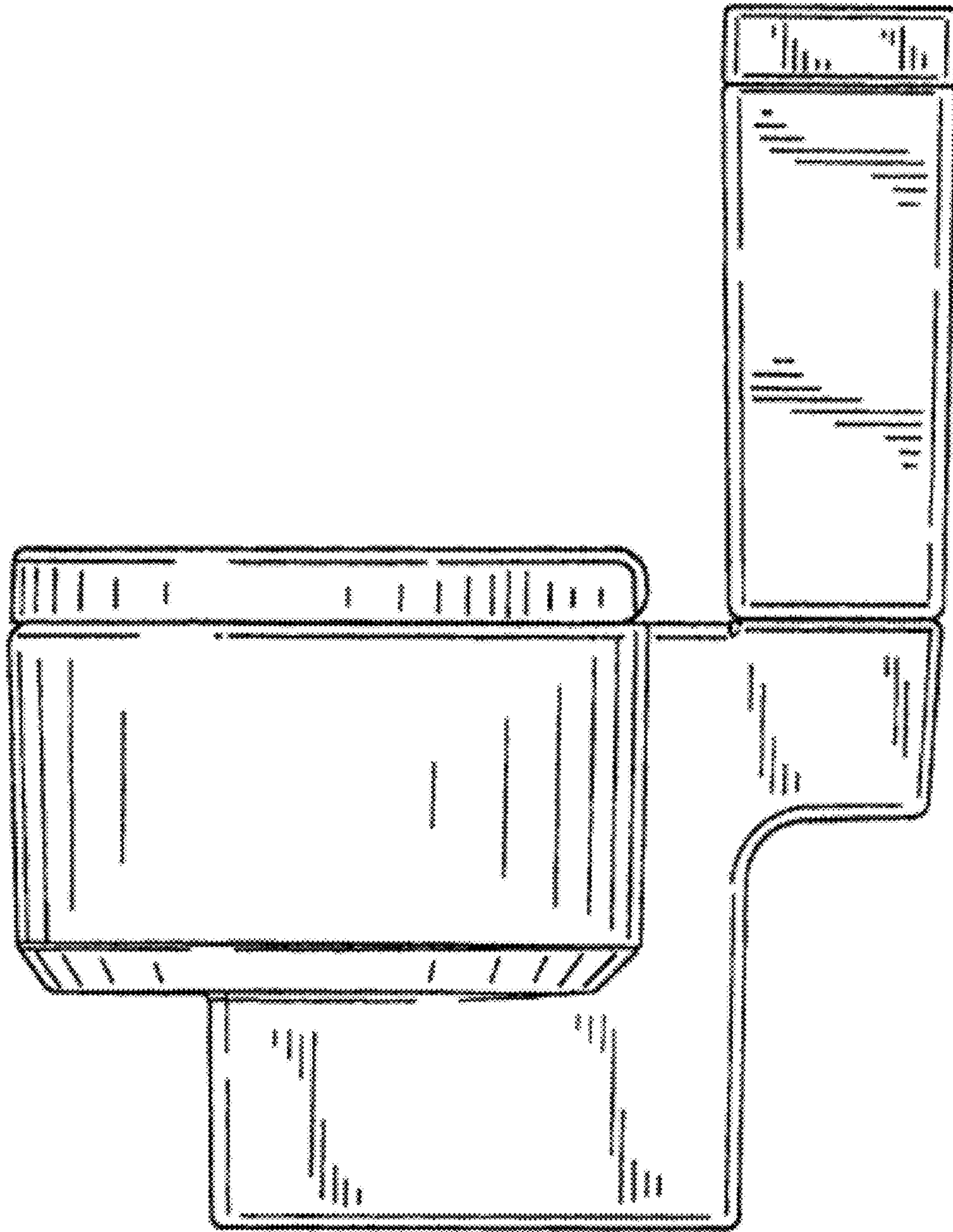


FIG. 4