



US00D678483S

(12) **United States Design Patent**
Barker

(10) **Patent No.:** **US D678,483 S**
(45) **Date of Patent:** **** Mar. 19, 2013**

- (54) **DISPOSABLE SHOWER STRAINER**
- (76) Inventor: **Sun C. Barker**, Commerce Township, MI (US)
- (**) Term: **14 Years**
- (21) Appl. No.: **29/429,367**
- (22) Filed: **Aug. 9, 2012**
- (51) **LOC (9) Cl.** **23-01**
- (52) **U.S. Cl.** **D23/261**
- (58) **Field of Classification Search** D23/259–261;
4/286–295, 679–694, 596–614; 210/460,
210/489, 793, 469
See application file for complete search history.

7,975,323	B2 *	7/2011	Dees	4/292
D665,055	S *	8/2012	Yanagisawa et al.	D23/261
D670,362	S *	11/2012	Eylon et al.	D23/261
2005/0029204	A1 *	2/2005	Schwartzkopf	210/793
2005/0127011	A1 *	6/2005	Schwartzkopf	210/793
2010/0011494	A1 *	1/2010	Dees	4/292
2011/0132204	A1 *	6/2011	Donnellan	99/425
2012/0234741	A1 *	9/2012	Hritz	210/130

* cited by examiner

Primary Examiner — Eric Goodman

(74) *Attorney, Agent, or Firm* — QuickPatents; Kevin Prince

(56) **References Cited**

U.S. PATENT DOCUMENTS

4,356,791	A *	11/1982	Ward et al.	119/14.43
4,814,081	A *	3/1989	Malinowski	210/489
4,958,669	A *	9/1990	Ohta	141/311 A
5,059,319	A *	10/1991	Welsh	210/232
5,500,115	A *	3/1996	Nehm et al.	210/460
5,510,194	A *	4/1996	Hendricks et al.	428/556
6,457,590	B1 *	10/2002	Sheridan	210/469
6,638,422	B1 *	10/2003	Schwartzkopf	210/108
7,270,755	B2 *	9/2007	Schwartzkopf	210/741
7,442,296	B2 *	10/2008	Chong et al.	210/163
D602,575	S *	10/2009	Breda	D23/261
D614,267	S *	4/2010	Breda	D23/261
7,938,452	B2 *	5/2011	Katsura	285/219

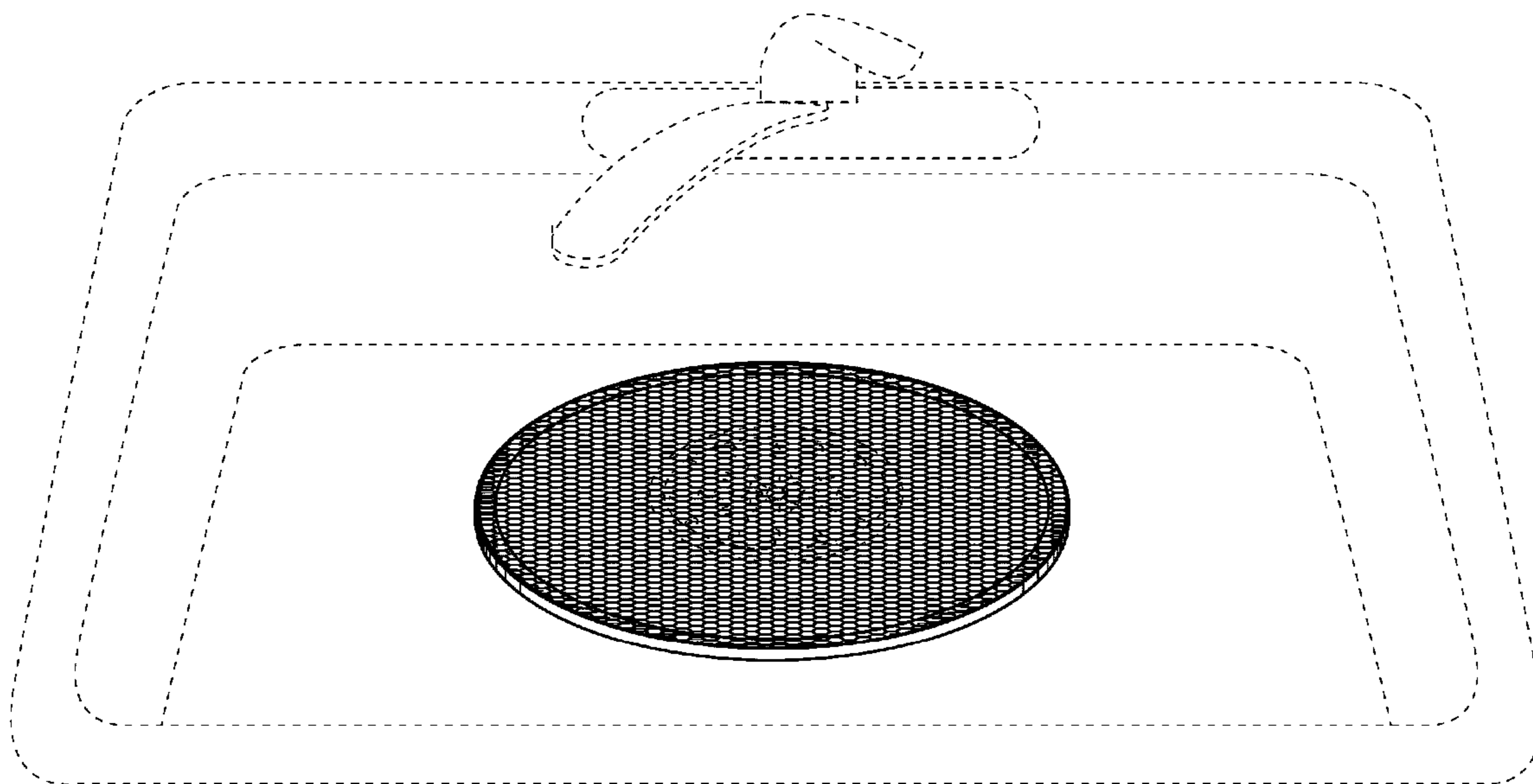
(57) **CLAIM**

I claim the ornamental design for a disposable shower strainer, as shown and described.

DESCRIPTION

FIG. 1 is a perspective view of a disposable shower strainer, showing my new design;
 FIG. 2 is an enlarged top plan view thereof, the bottom plan view being a mirror image thereof; and,
 FIG. 3 is a left-side elevational view thereof, the right-side elevational view, front elevational view, and rear elevational view all being identical thereto.
 The broken lines showing a sink and drain in FIG. 1 depict environmental matter and form no part of the claimed design.

1 Claim, 2 Drawing Sheets



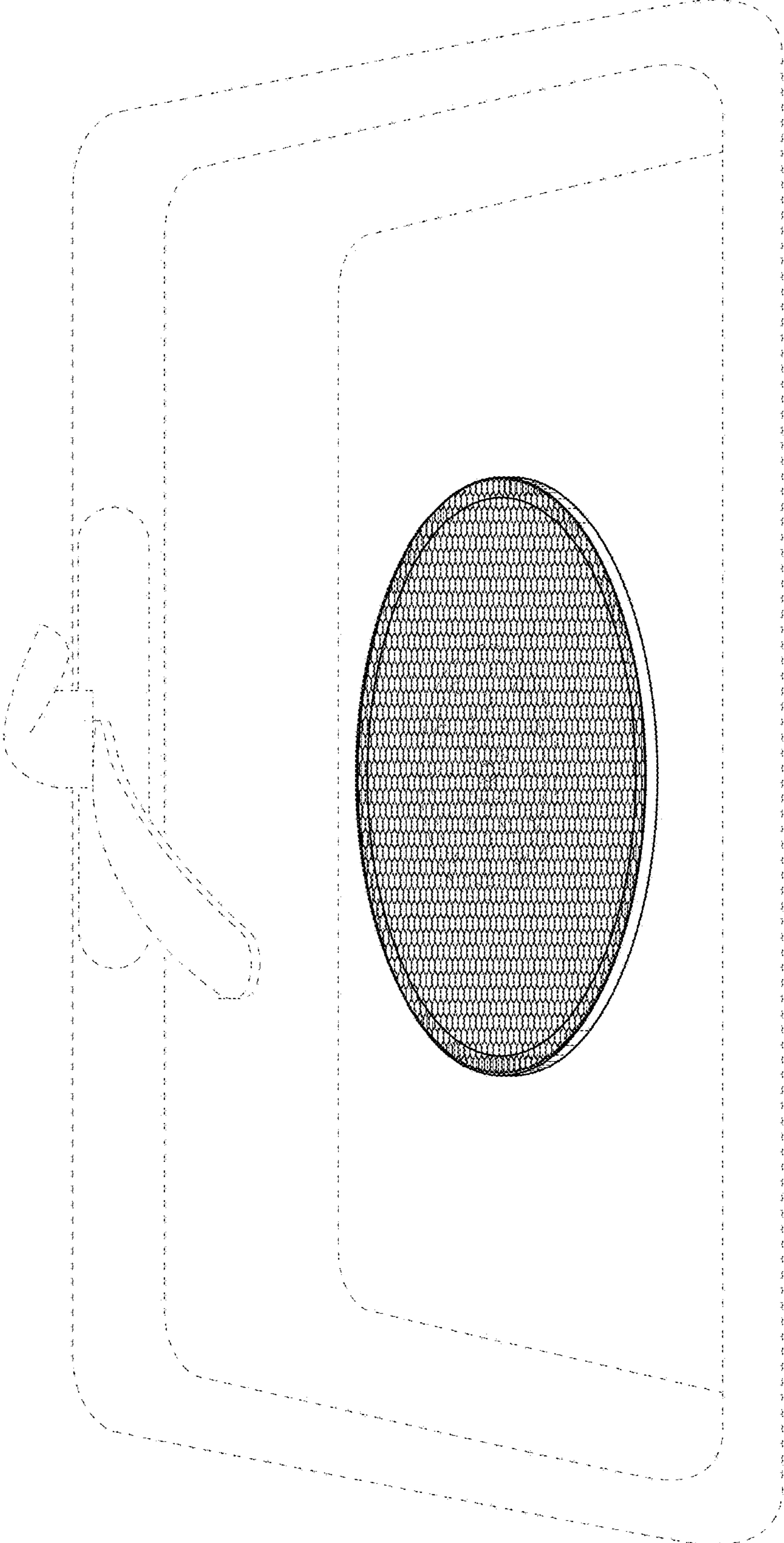


FIG. 1

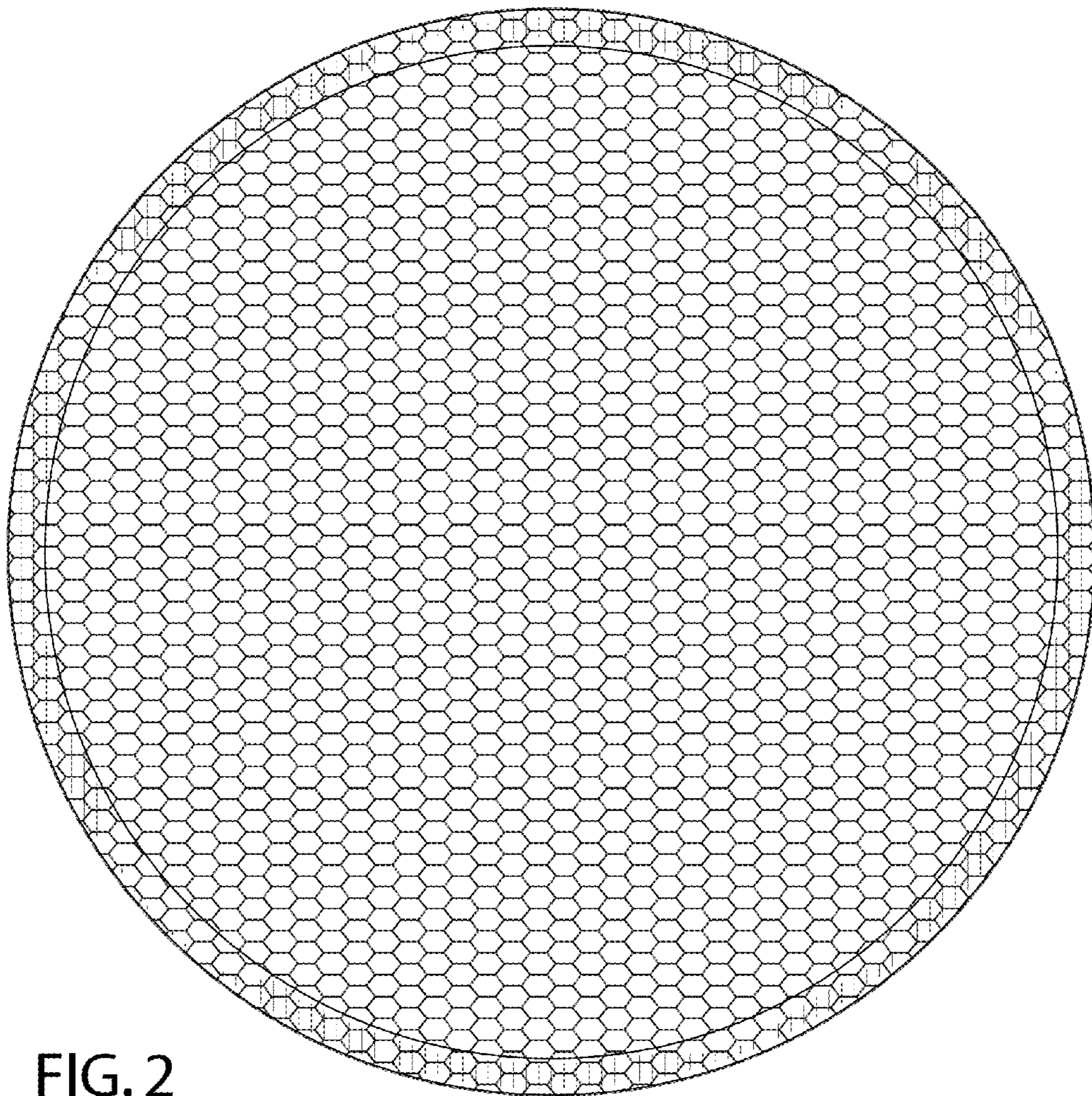


FIG. 2

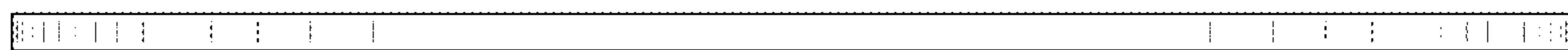


FIG. 3