



US00D678481S

(12) **United States Design Patent**  
**Branco**

(10) **Patent No.:** **US D678,481 S**

(45) **Date of Patent:** **\*\* Mar. 19, 2013**

(54) **PIPE CAP**

(76) **Inventor:** **Joe Bivar Branco**, Odessa, TX (US)

(\*\*) **Term:** **14 Years**

(21) **Appl. No.:** **29/390,482**

(22) **Filed:** **Apr. 26, 2011**

(51) **LOC (9) Cl.** ..... **23-01**

(52) **U.S. Cl.** ..... **D23/260**

(58) **Field of Classification Search** ..... D23/259,  
D23/262; 138/96 R, 96 T, 89; 215/254,  
215/256; 220/266, 270, 276, 640

See application file for complete search history.

(56) **References Cited**

**U.S. PATENT DOCUMENTS**

D20,236 S	10/1890	Kelly	
D33,918 S	1/1901	Luke	
D33,957 S	1/1901	Thomas	
D35,204 S	10/1901	Bossert	
D33,618 S	6/1907	Thomas	
1,692,710 A	11/1928	Spahn	
1,783,892 A	12/1930	Unke	
1,941,235 A	12/1933	Unke	
2,732,864 A	1/1956	Stansbury	
D227,888 S	7/1973	Felix	
3,920,142 A *	11/1975	Vandrebeck et al.	215/254
3,949,787 A *	4/1976	Milo	138/89
4,115,961 A *	9/1978	Bishop	52/58
D281,350 S	11/1985	Heier	
4,819,819 A *	4/1989	Robertson, Jr.	215/230
D347,467 S	5/1994	Medvick	
D355,708 S *	2/1995	Caine	D23/260
D383,378 S	9/1997	Schrader et al.	
D385,017 S *	10/1997	Daroff	D23/261

6,408,887 B2 *	6/2002	Rahimzadeh et al.	138/96 R
D520,351 S	5/2006	Alkalay et al.	
7,484,533 B1 *	2/2009	Arndt	138/96 R
D603,939 S	11/2009	McPheat	
D616,966 S *	6/2010	Angell	D23/262
D631,142 S *	1/2011	Angell	D23/262
2005/0040131 A1 *	2/2005	Lin	215/235
2005/0081933 A1 *	4/2005	Latiolais et al.	138/96 T
2005/0269281 A1 *	12/2005	Ding	215/254
2012/0091092 A1 *	4/2012	Adams et al.	215/329

\* cited by examiner

*Primary Examiner* — Eric Goodman

(74) *Attorney, Agent, or Firm* — QuickPatents; Kevin Prince

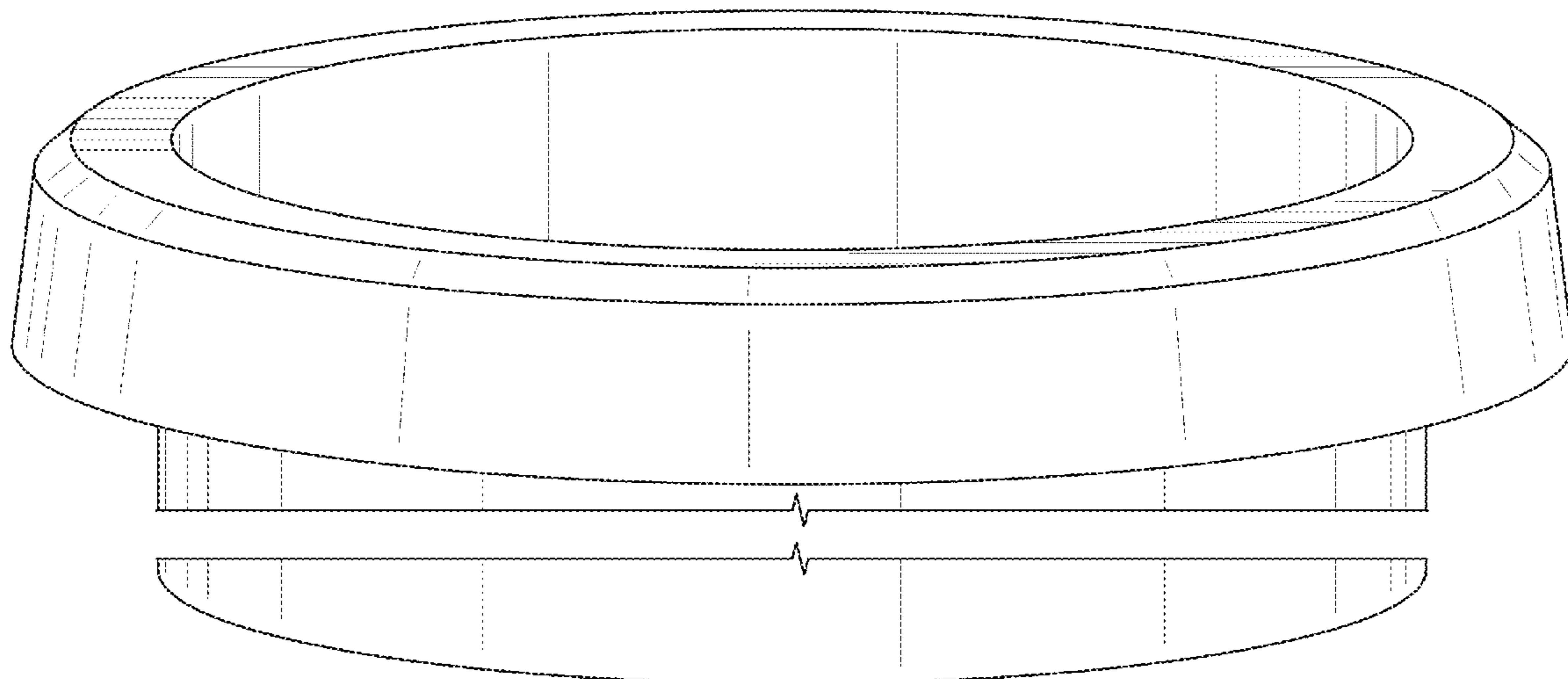
(57) **CLAIM**

I claim the ornamental design for a pipe cap, as shown and described.

**DESCRIPTION**

FIG. 1 is a perspective view of a pipe cap, showing my new design;  
 FIG. 2 is a front elevational view thereof, the rear elevational view, left-side elevational view, and right-side elevational view all being a mirror image thereof;  
 FIG. 3 is a bottom plan view thereof;  
 FIG. 4 is a top plan view thereof; and,  
 FIG. 5 is a cross-sectional view thereof, taken generally along lines 5-5 of FIG. 3.  
 The cut lines in FIGS. 1, 2 and 5 show that the design has an indeterminate height.

**1 Claim, 2 Drawing Sheets**



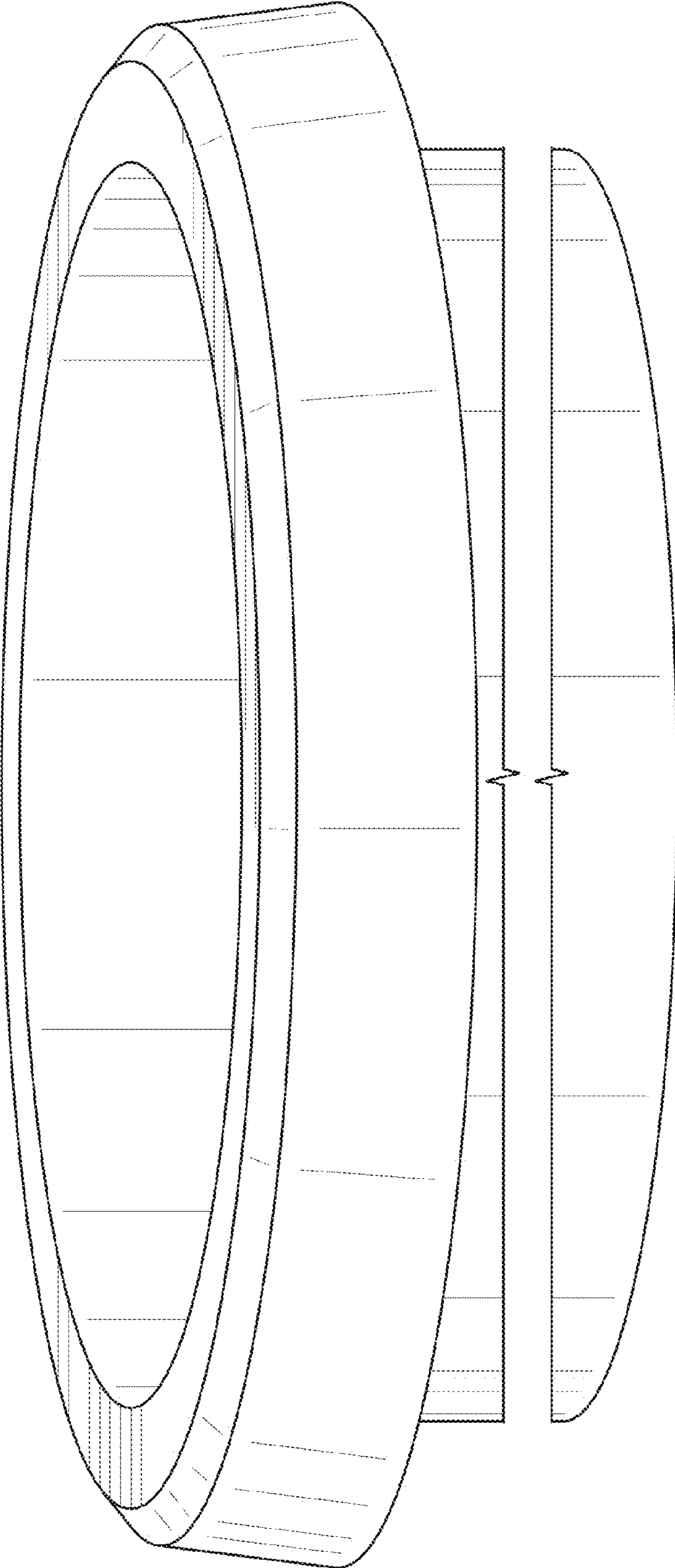


FIG. 1

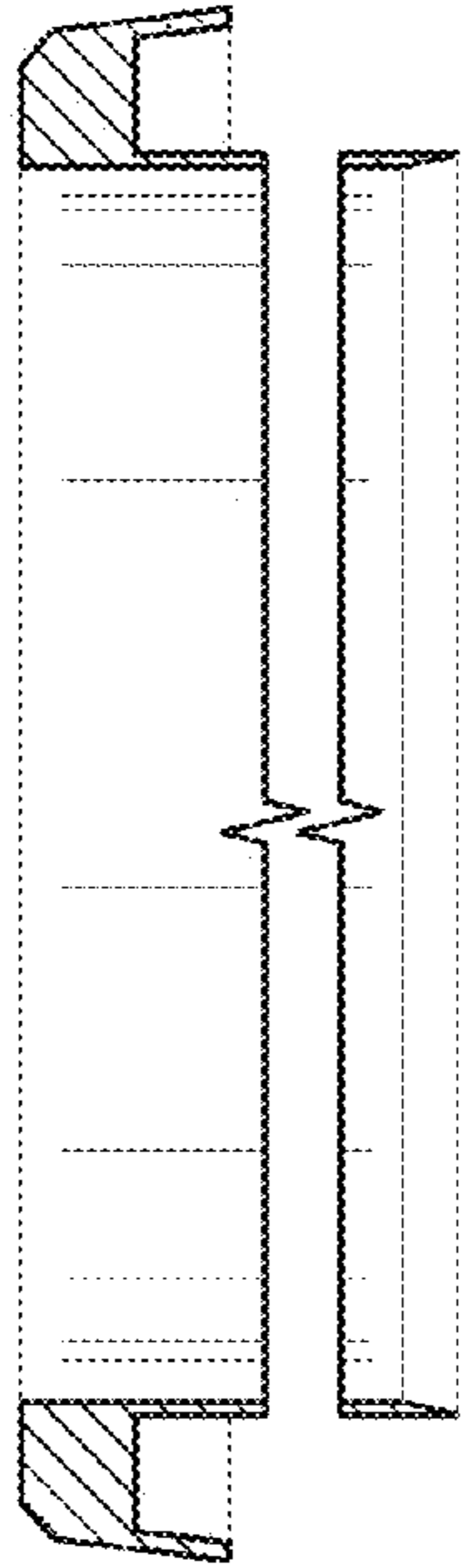


FIG. 5

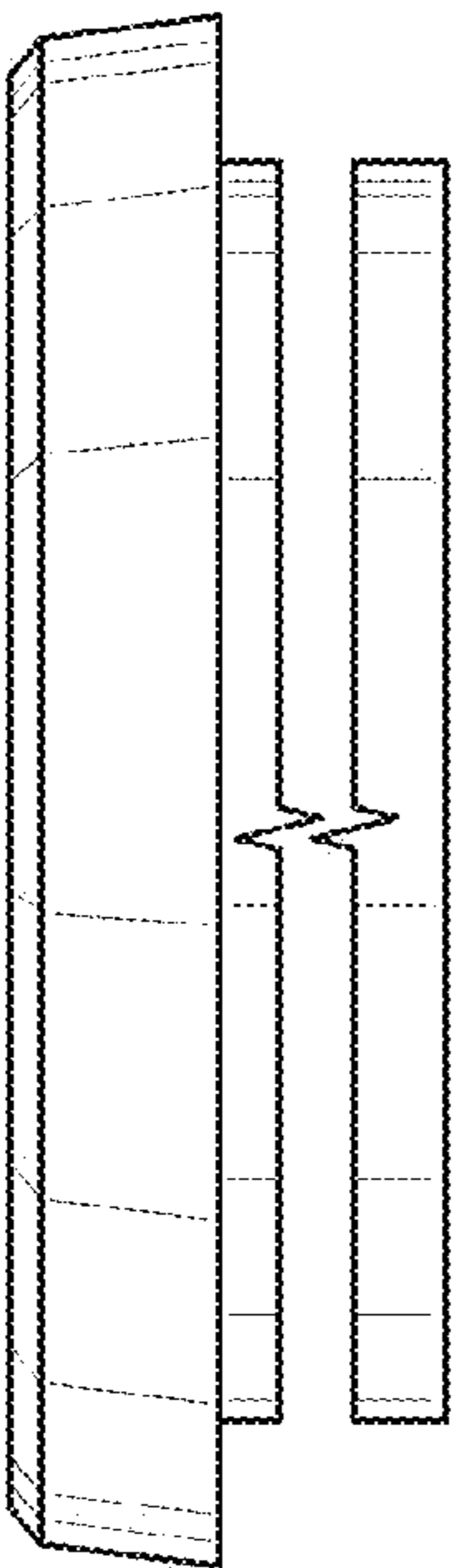


FIG. 2

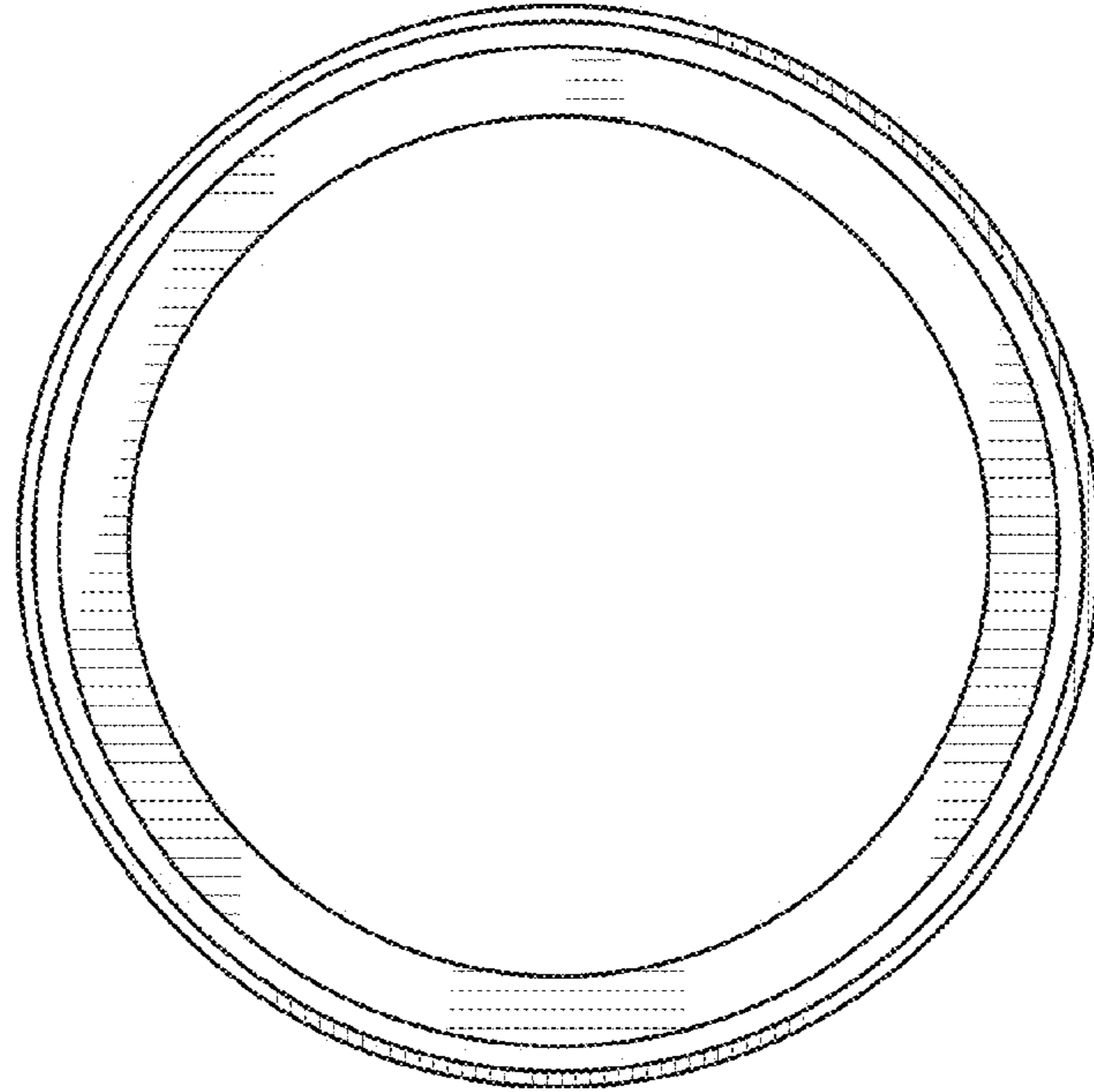


FIG. 4

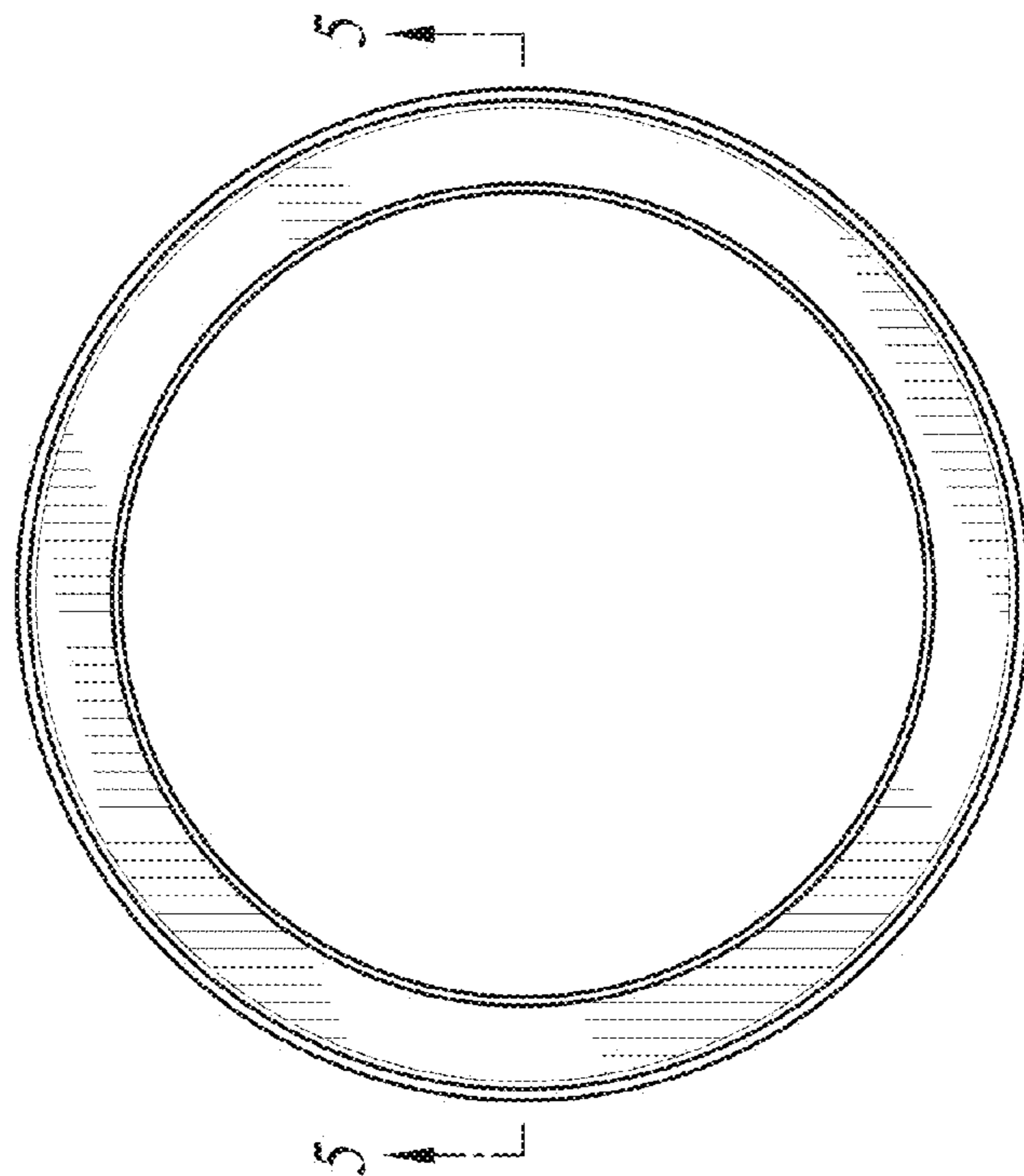


FIG. 3