



US00D678480S

(12) **United States Design Patent**
Blum

(10) **Patent No.:** **US D678,480 S**
(45) **Date of Patent:** **** Mar. 19, 2013**

(54) **FLOW REGULATOR**

(75) Inventor: **Gerhard Blum**, Gutach (DE)

(73) Assignee: **Neoperl GmbH**, Mullheim (DE)

(**) Term: **14 Years**

(21) Appl. No.: **29/396,066**

(22) Filed: **Jun. 24, 2011**

Related U.S. Application Data

(60) Continuation of application No. 29/384,848, filed on Feb. 4, 2011, now Pat. No. Des. 641,834, which is a division of application No. 29/379,367, filed on Nov. 18, 2010, now Pat. No. Des. 639,911.

Foreign Application Priority Data

May 27, 2010 (EM) 1216642

(51) **LOC (9) Cl.** **23-01**

(52) **U.S. Cl.** **D23/249**

(58) **Field of Classification Search** D23/213,
D23/249; 239/428.5; 261/DIG. 22
See application file for complete search history.

References Cited

U.S. PATENT DOCUMENTS

D516,182 S * 2/2006 Buttgen D23/249
D529,588 S 10/2006 Grether
D539,872 S * 4/2007 Grether D23/249
D550,814 S 9/2007 Grether

D550,816 S 9/2007 Grether
D550,818 S 9/2007 Grether
7,357,337 B2 * 4/2008 Ferrari 239/428.5
D584,801 S * 1/2009 Grether D23/249
D591,403 S * 4/2009 Grether D23/249
D604,806 S * 11/2009 Blum D23/233
D605,732 S 12/2009 Stein
D612,911 S 3/2010 Grether
D622,355 S 8/2010 Grether
D622,818 S * 8/2010 Stein D23/249
D639,911 S * 6/2011 Blum D23/249
D641,834 S * 7/2011 Blum D23/249
D641,840 S * 7/2011 Grether D23/249
D642,662 S * 8/2011 Grether D23/249
D652,896 S * 1/2012 Grether D23/249

* cited by examiner

Primary Examiner — Robin V Webster

(74) *Attorney, Agent, or Firm* — Volpe and Koenig, P.C.

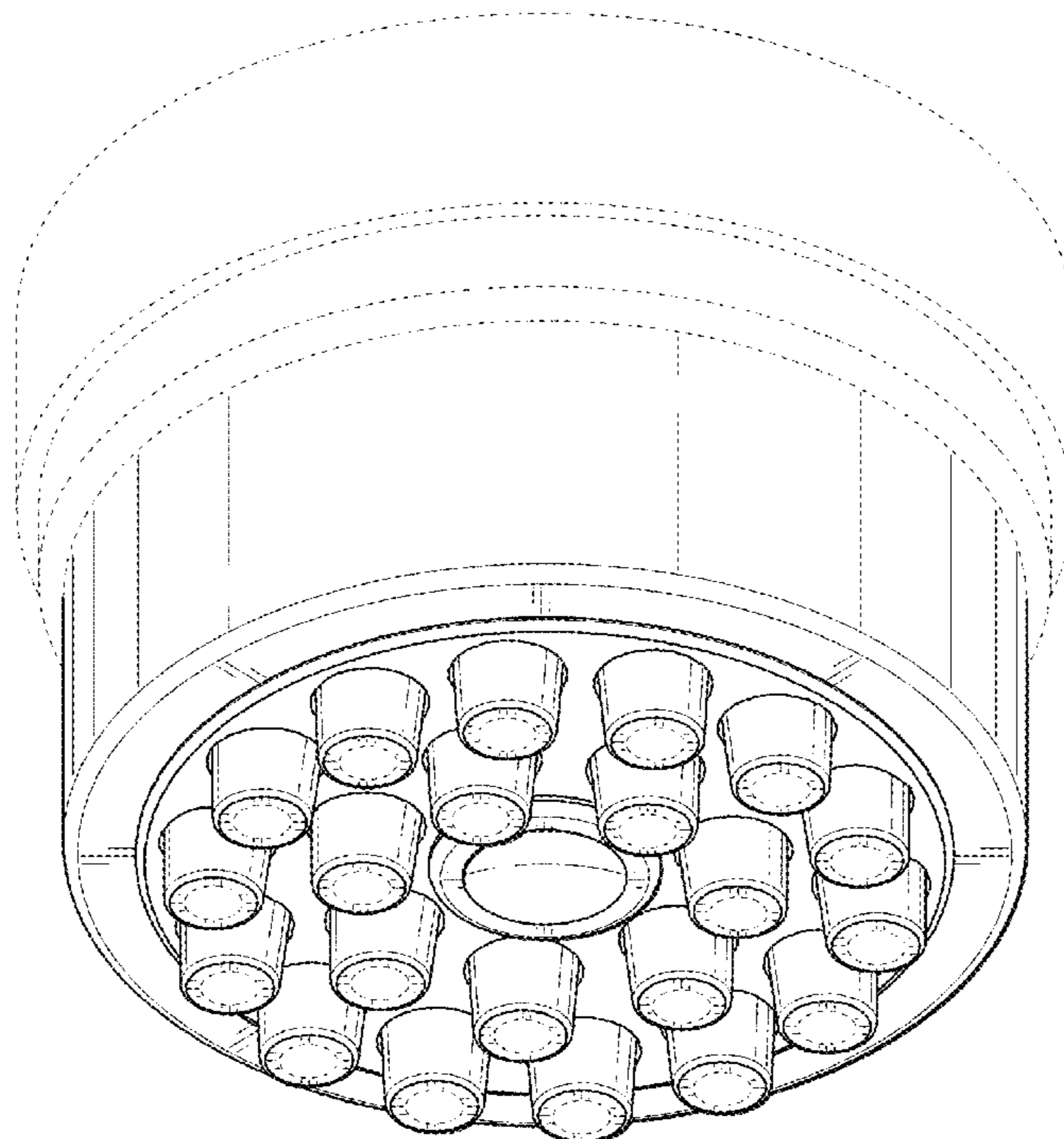
(57) **CLAIM**

The ornamental design for a flow regulator, as shown and described.

DESCRIPTION

FIG. 1 is a top, front perspective view of a flow regulator in accordance with my design;
FIG. 2 is a bottom, rear perspective view thereof;
FIG. 3 is a top plan view thereof;
FIG. 4 is an elevational view thereof; and,
FIG. 5 is a bottom view thereof.
The broken lines shown in the drawings form no part of the claimed design.

1 Claim, 5 Drawing Sheets



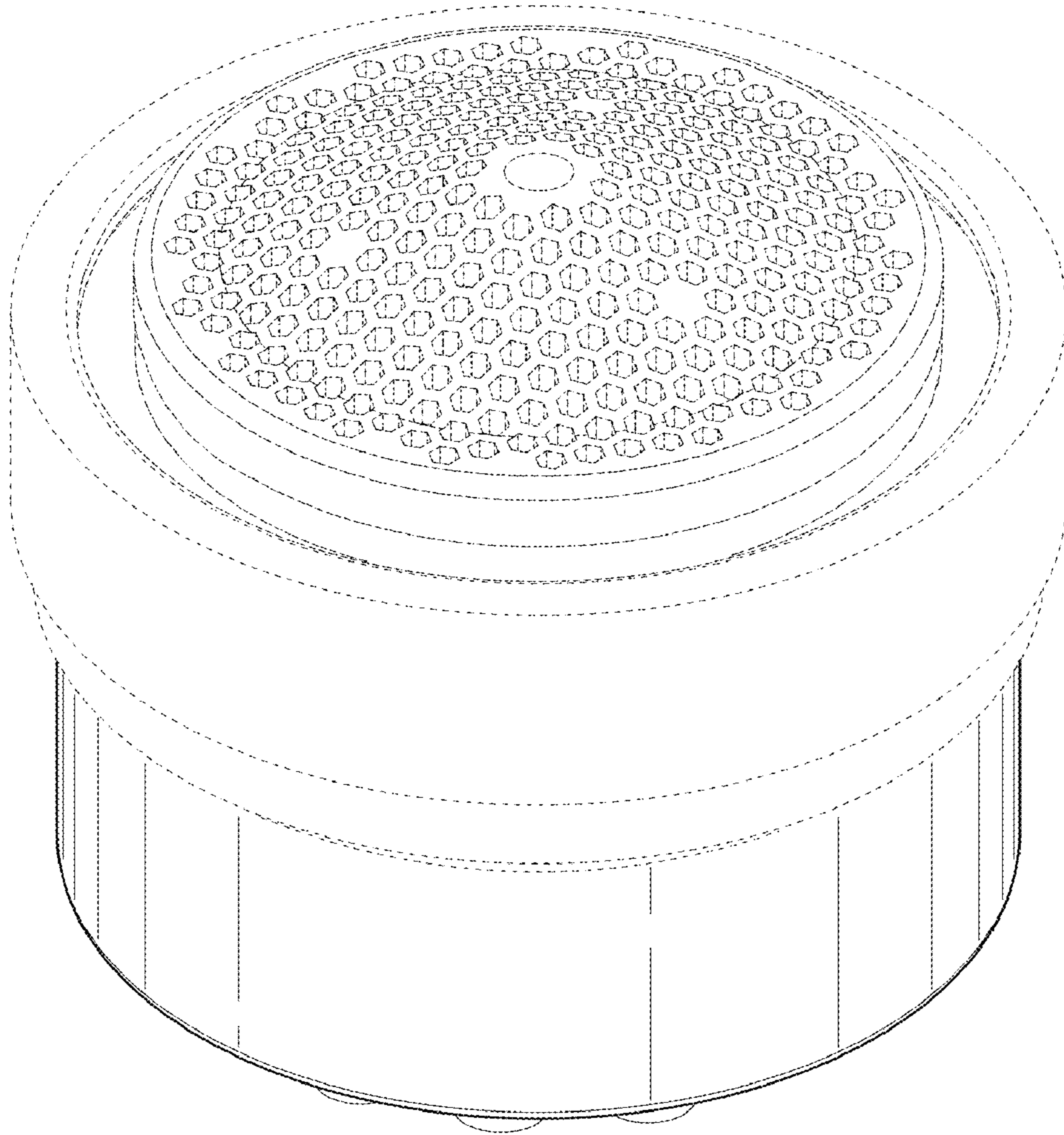


Fig. 1

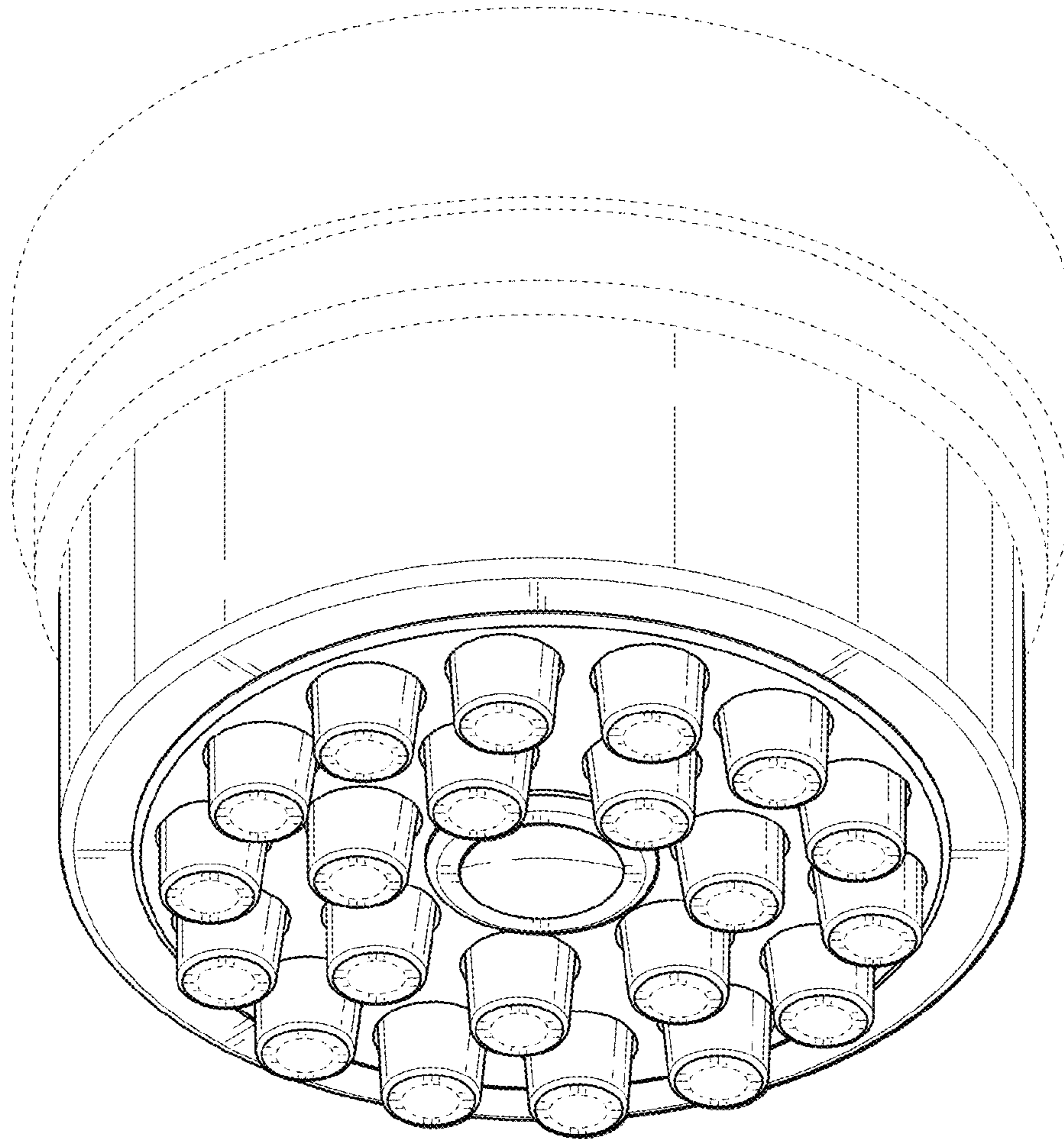


Fig. 2

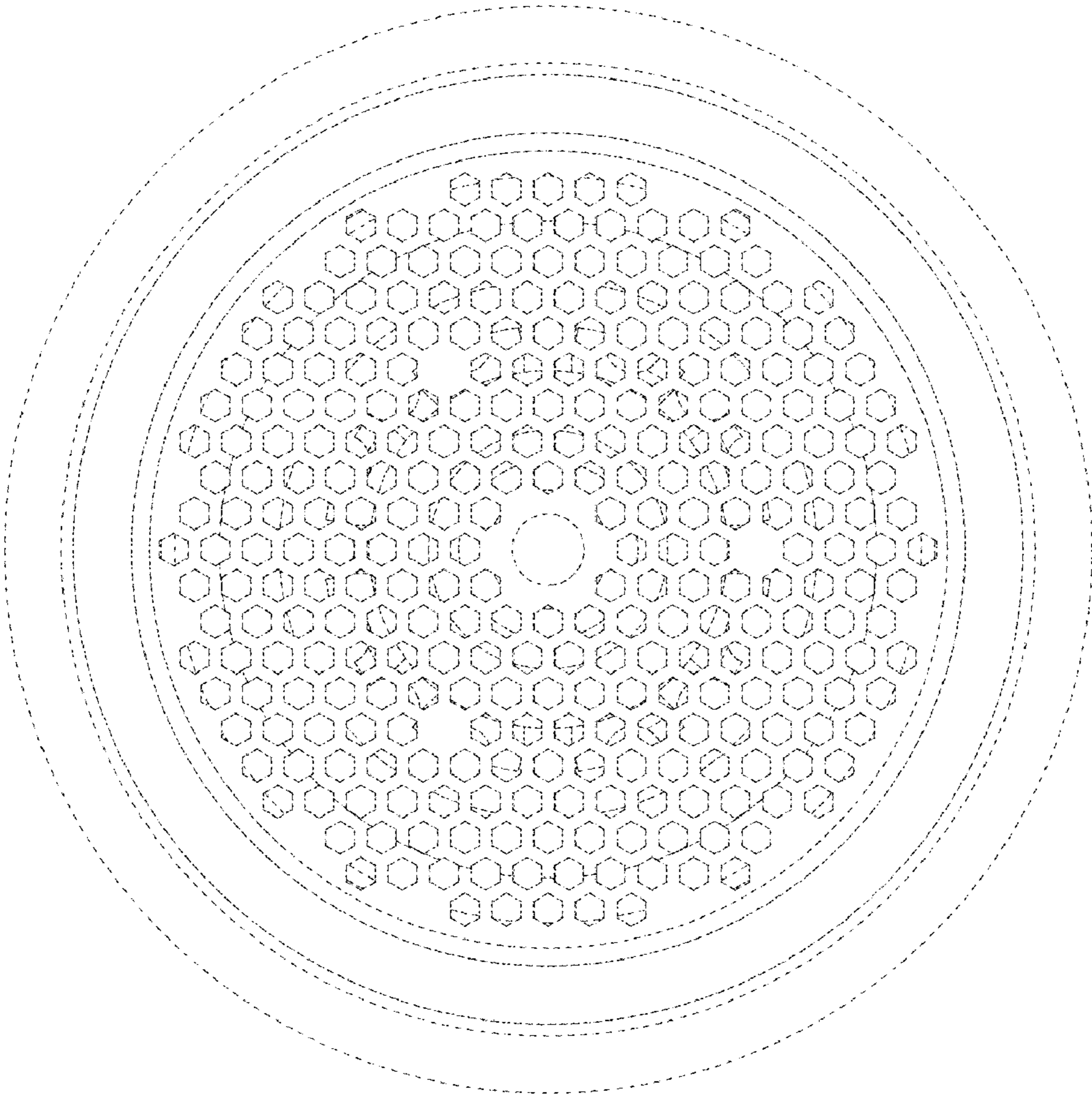


Fig. 3

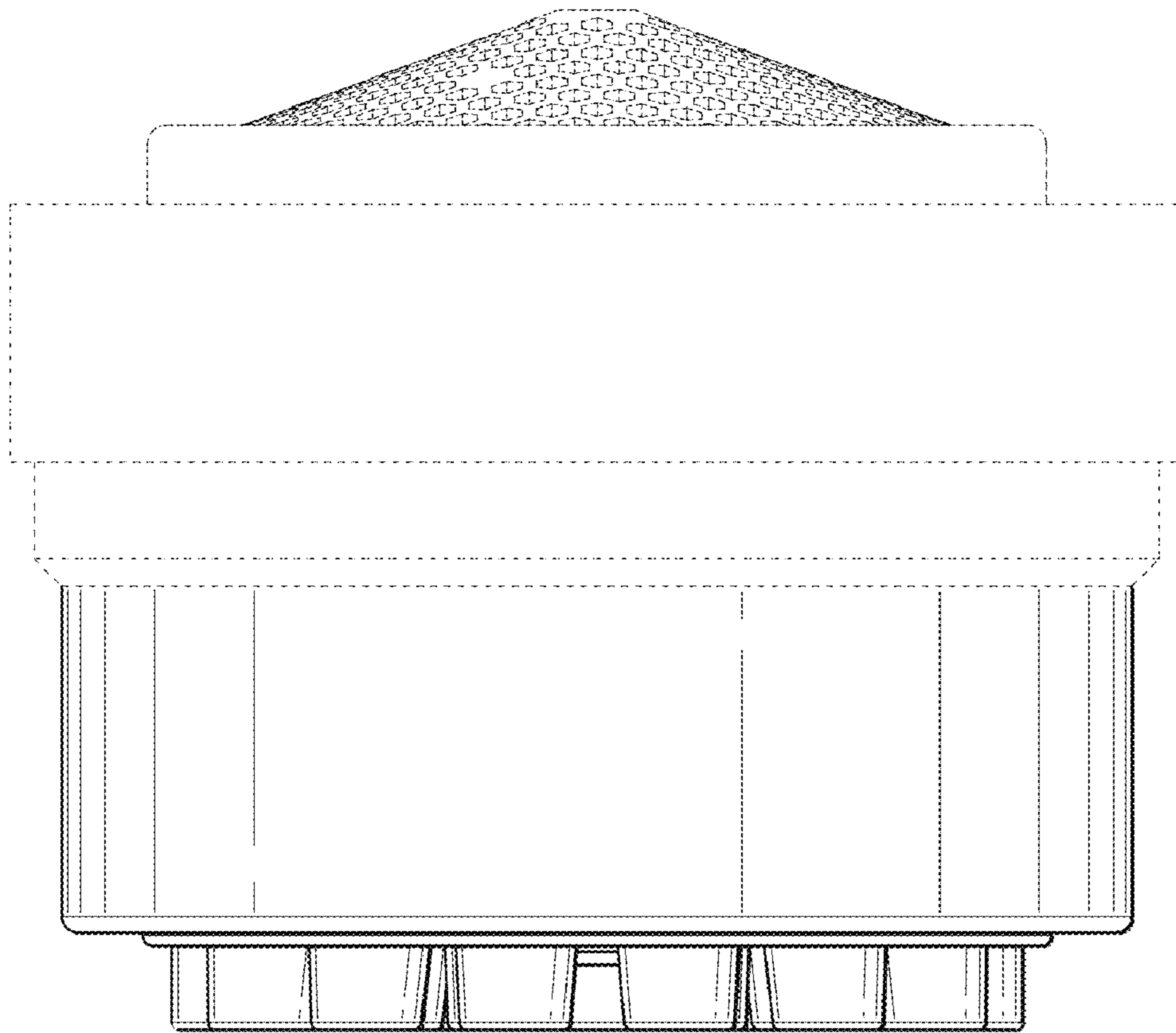


Fig. 4

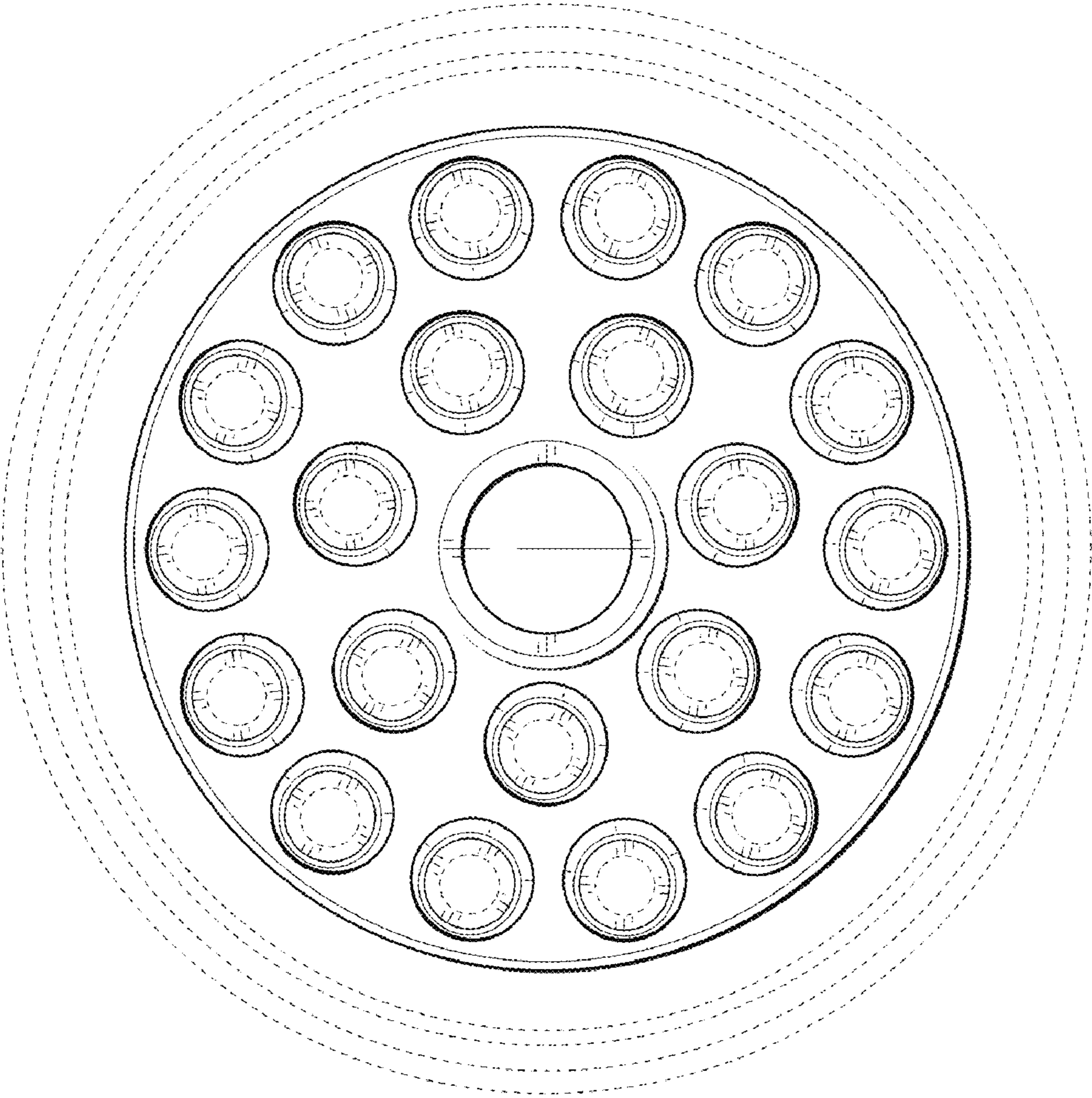


Fig. 5