



US00D678478S

(12) **United States Design Patent**  
**Thielbar**

(10) **Patent No.:** **US D678,478 S**

(45) **Date of Patent:** **\*\* Mar. 19, 2013**

(54) **QUICK-RELEASE CLOSURE**

(76) Inventor: **Darvin Thielbar**, Gainesville, GA (US)

(\*\*) Term: **14 Years**

(21) Appl. No.: **29/378,343**

(22) Filed: **Nov. 3, 2010**

(51) **LOC (9) Cl.** ..... **23-01**

(52) **U.S. Cl.** ..... **D23/248**

(58) **Field of Classification Search** ..... D23/233–237,  
D23/244–249, 255–269, 310; 220/241, 242,  
220/244, 252, 361, 810, 820, 824, 836

See application file for complete search history.

(56) **References Cited**

**U.S. PATENT DOCUMENTS**

D150,368	S	*	7/1948	Mathews	.....	D23/235
3,076,577	A	*	2/1963	Craig	.....	220/297
3,077,360	A		2/1963	Israel		
3,187,929	A		6/1965	Shaw, Jr.		
D213,104	S	*	1/1969	Towsend	.....	D23/233
D215,438	S	*	10/1969	Holm	.....	D23/233
D601,663	S	*	10/2009	Holstrom	.....	D23/233
D617,878	S	*	6/2010	Weingarten	.....	D23/244
2010/0012671	A1	*	1/2010	Vrondran et al.	.....	220/810
2011/0017759	A1	*	1/2011	DePietro	.....	220/810
2012/0091141	A1	*	4/2012	Thielbar	.....	220/361

**OTHER PUBLICATIONS**

Sypris Technologies, Drawings depicting product sold prior to Nov. 3, 2010.

\* cited by examiner

*Primary Examiner* — Garth Rademaker

(74) *Attorney, Agent, or Firm* — Womble Carlyle Sandridge & Rice LLP

(57) **CLAIM**

The ornamental design for a quick release closure, as shown and described.

**DESCRIPTION**

FIG. 1 is a perspective view of a quick-release closure showing my new design;

FIG. 2 is a front elevation view thereof;

FIG. 3 is a rear elevation view thereof;

FIG. 4 is a left side elevation view thereof;

FIG. 5 is a right side elevation view thereof;

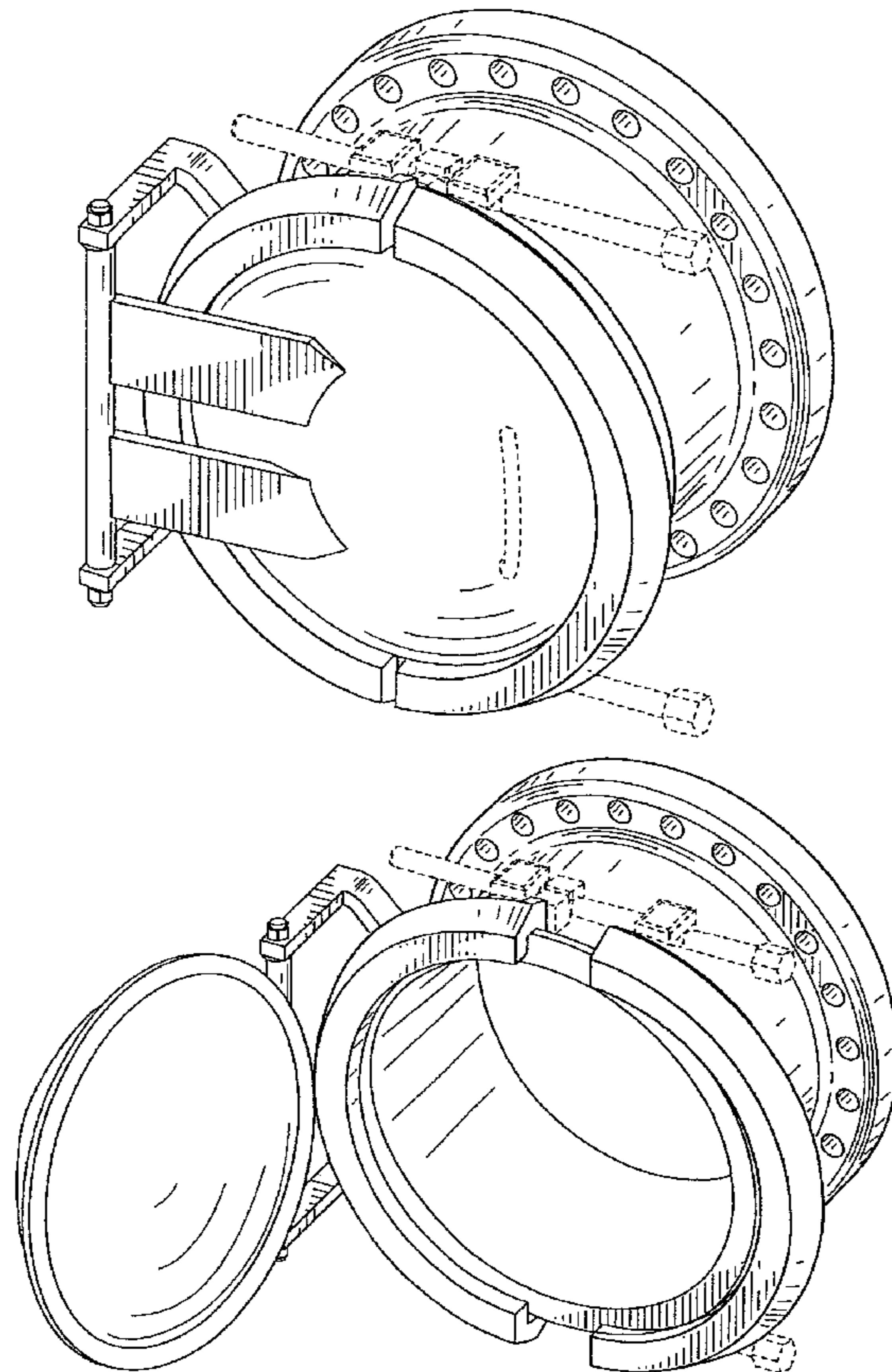
FIG. 6 is a top plan view thereof;

FIG. 7 is a bottom plan view thereof; and,

FIG. 8 is a perspective view thereof, shown with the cover in an open position.

The broken lines depict portions of the quick-release closure which form no part of the claimed design.

**1 Claim, 5 Drawing Sheets**



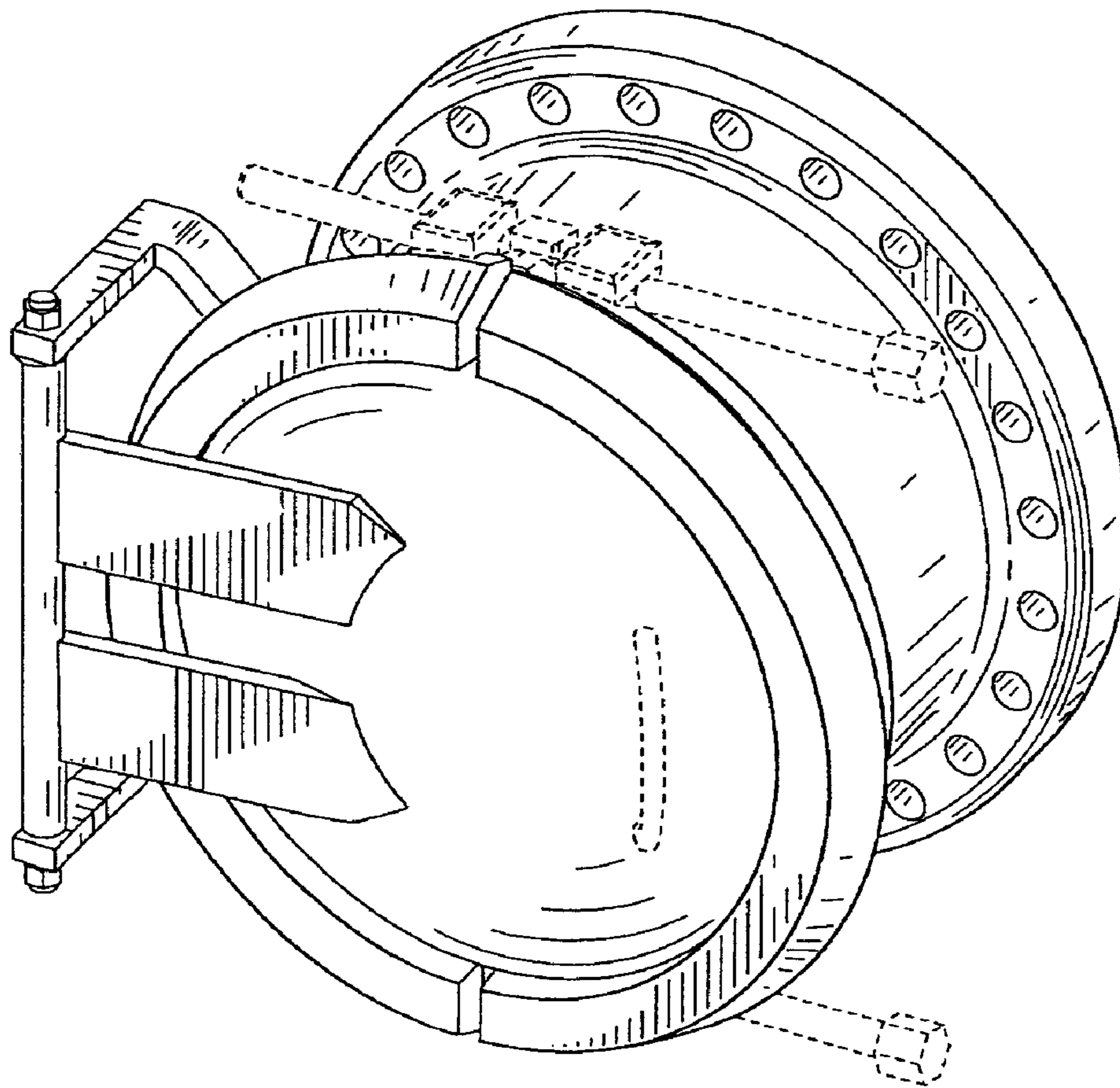


FIG. 1

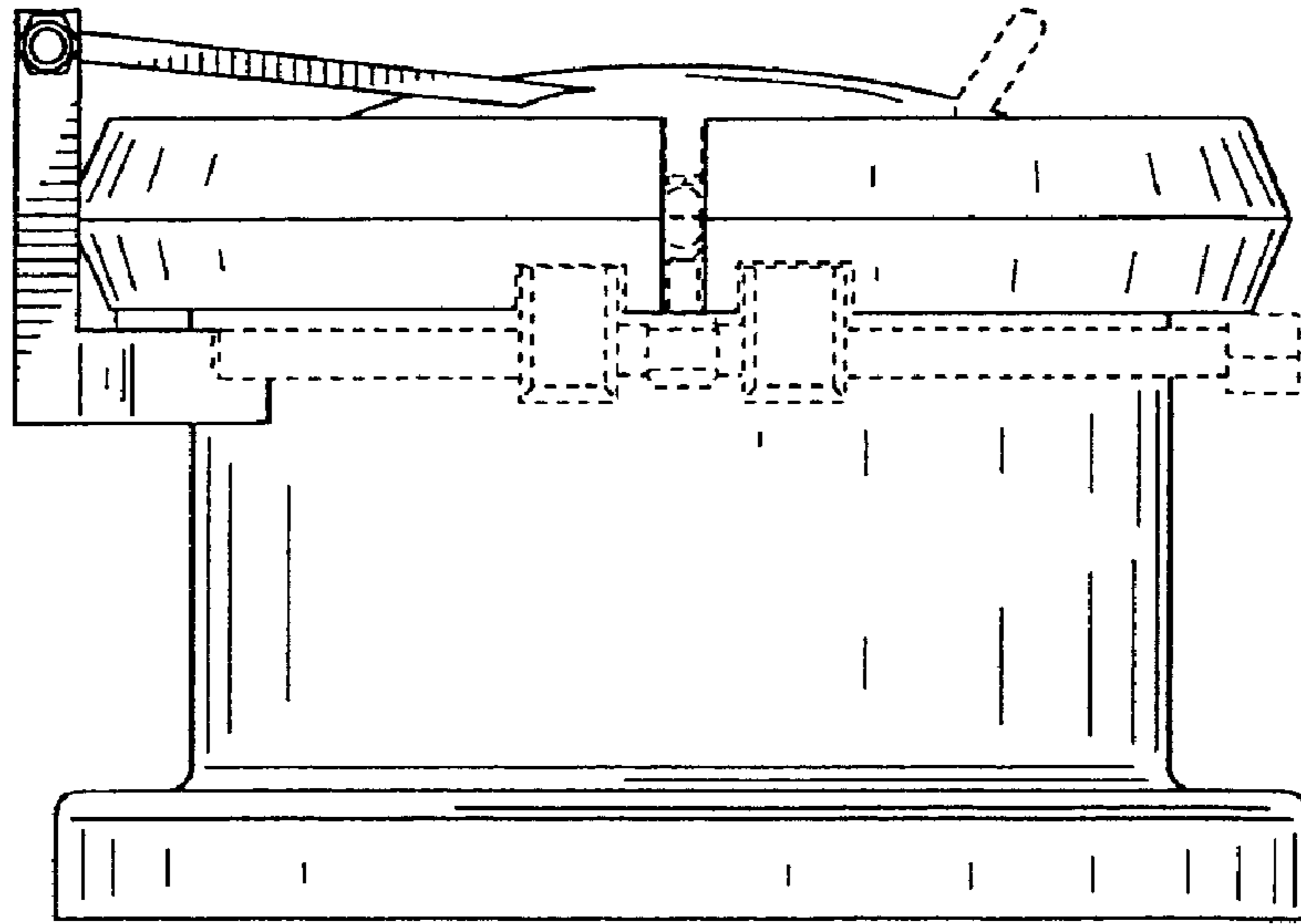


FIG. 2

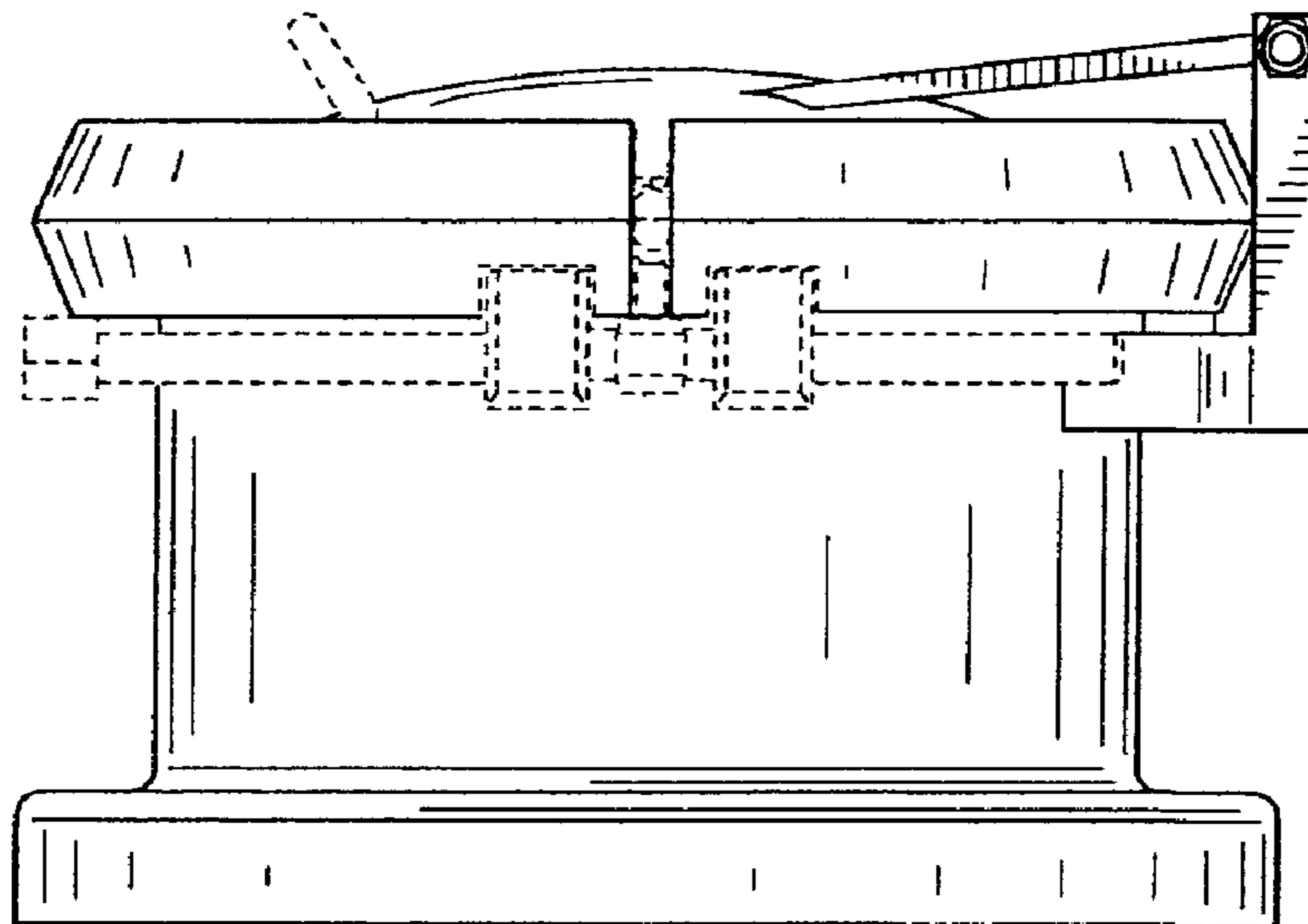


FIG. 3

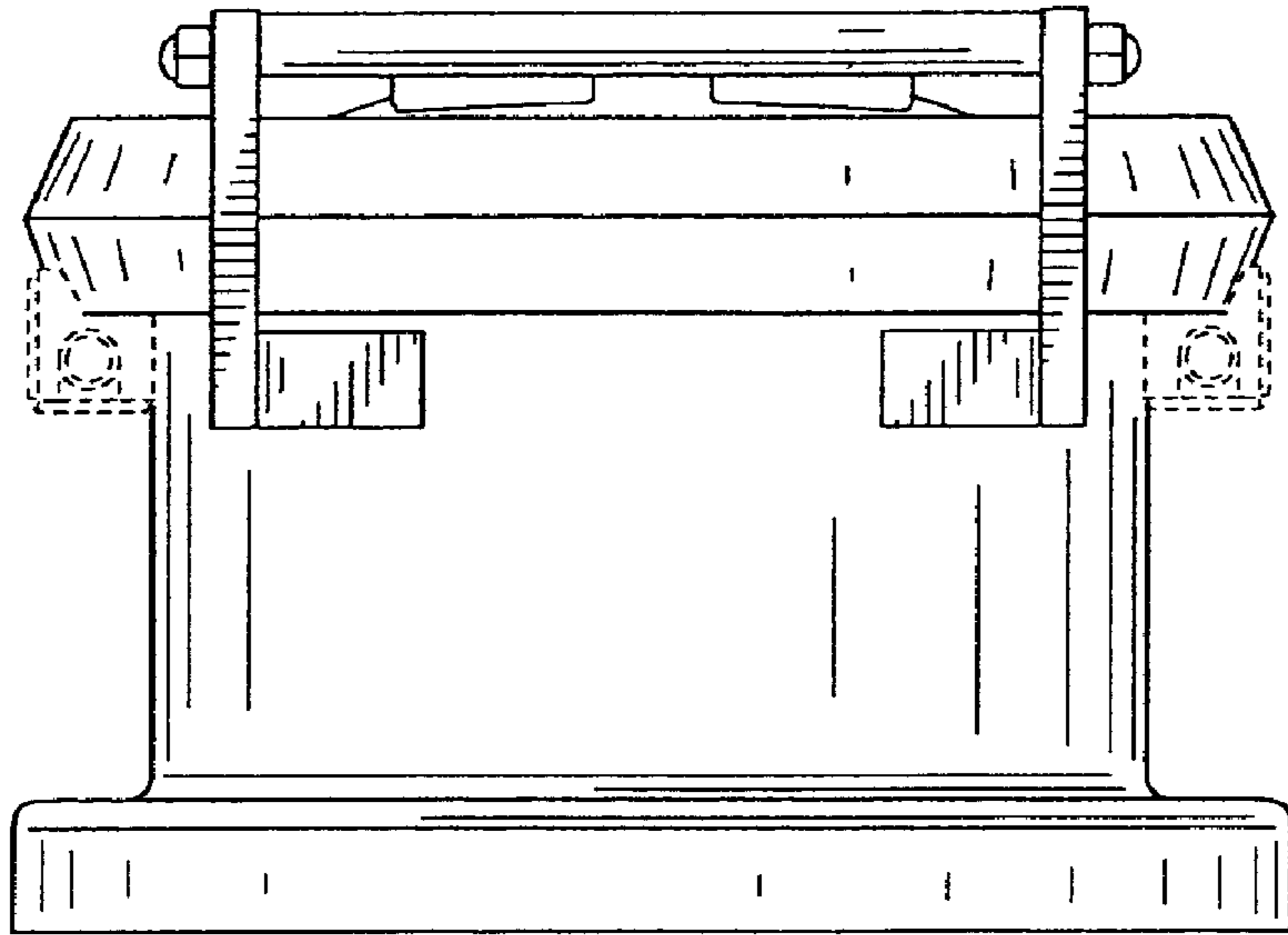


FIG. 4

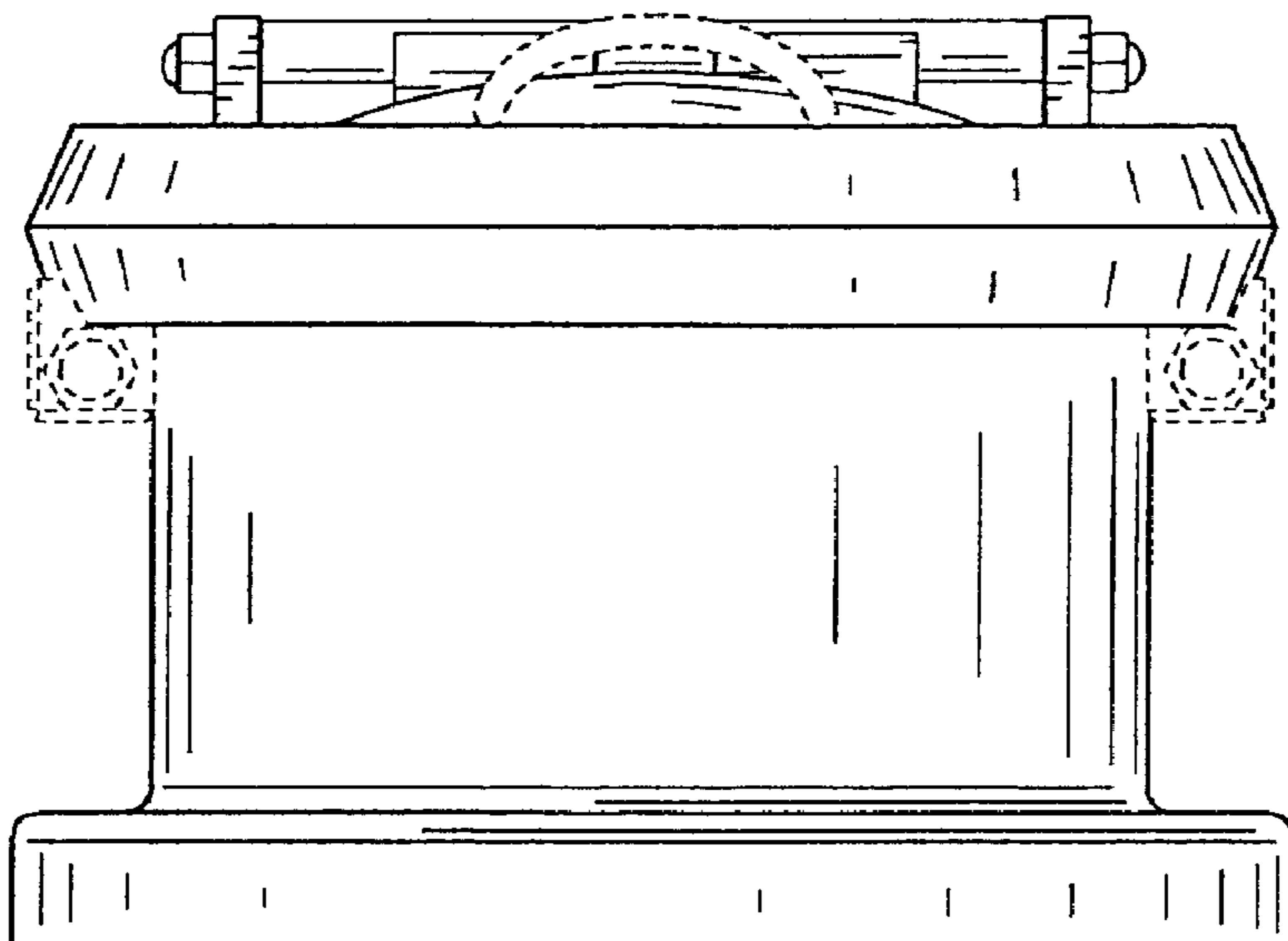


FIG. 5

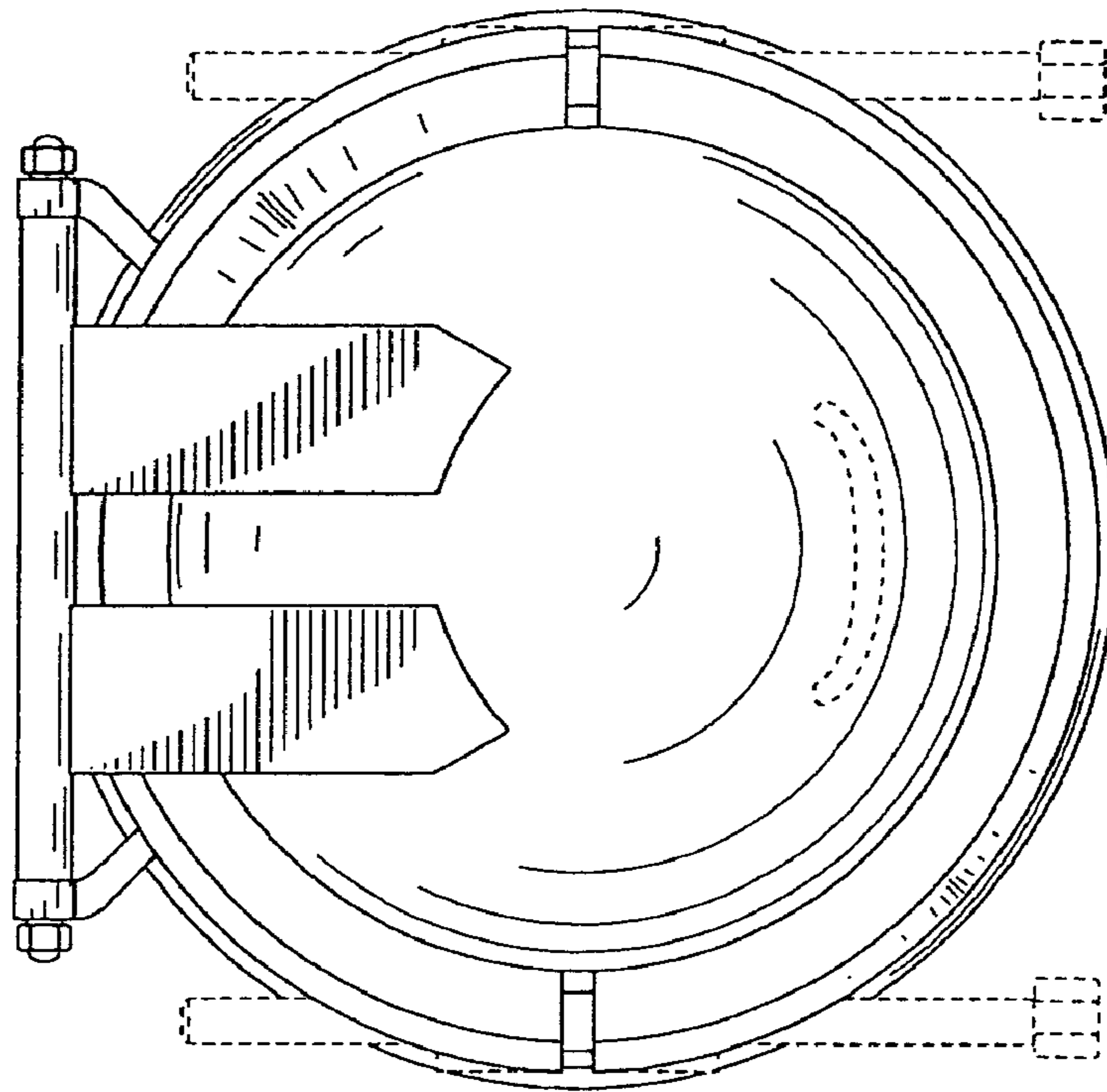


FIG. 6

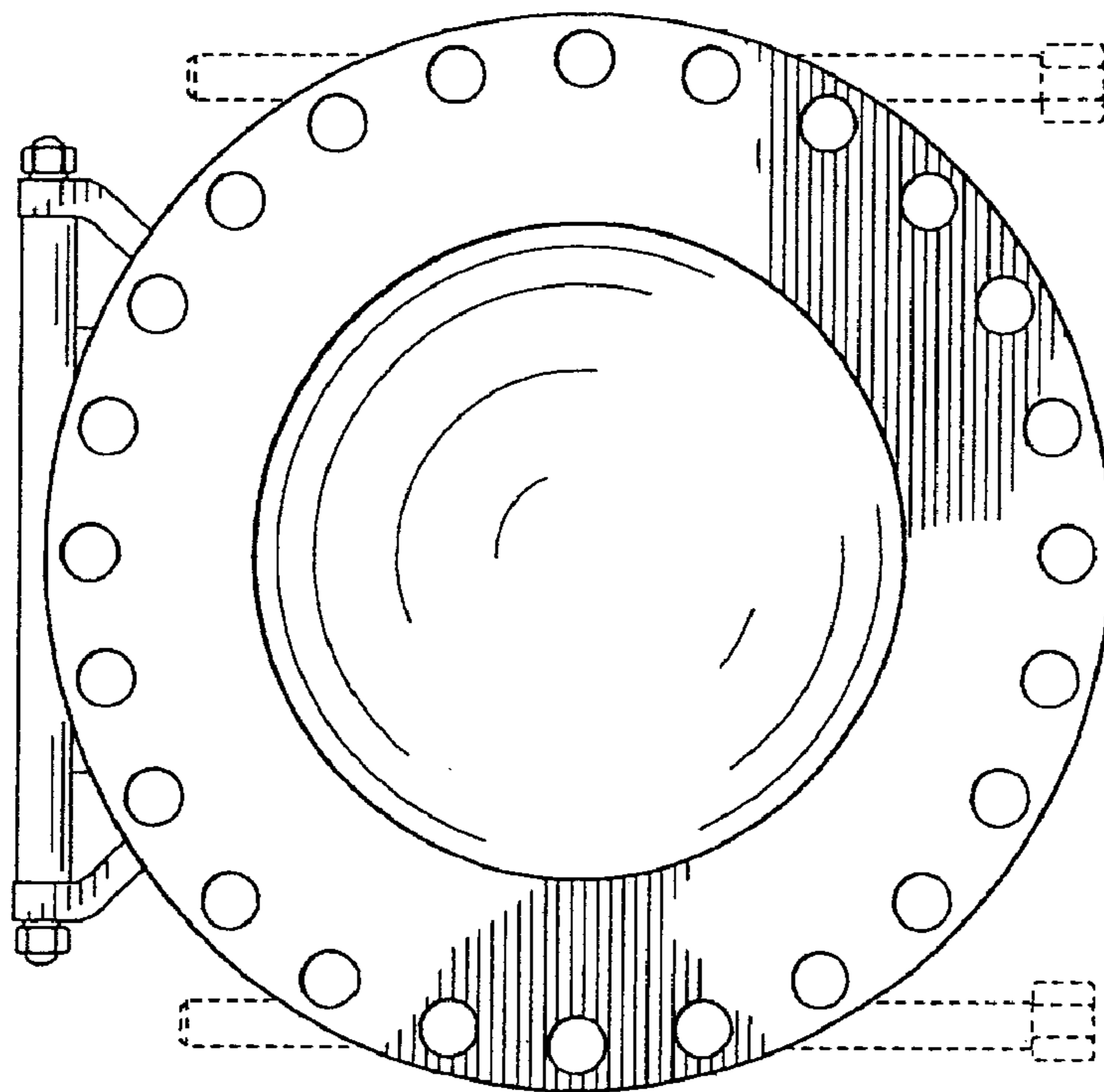


FIG. 7

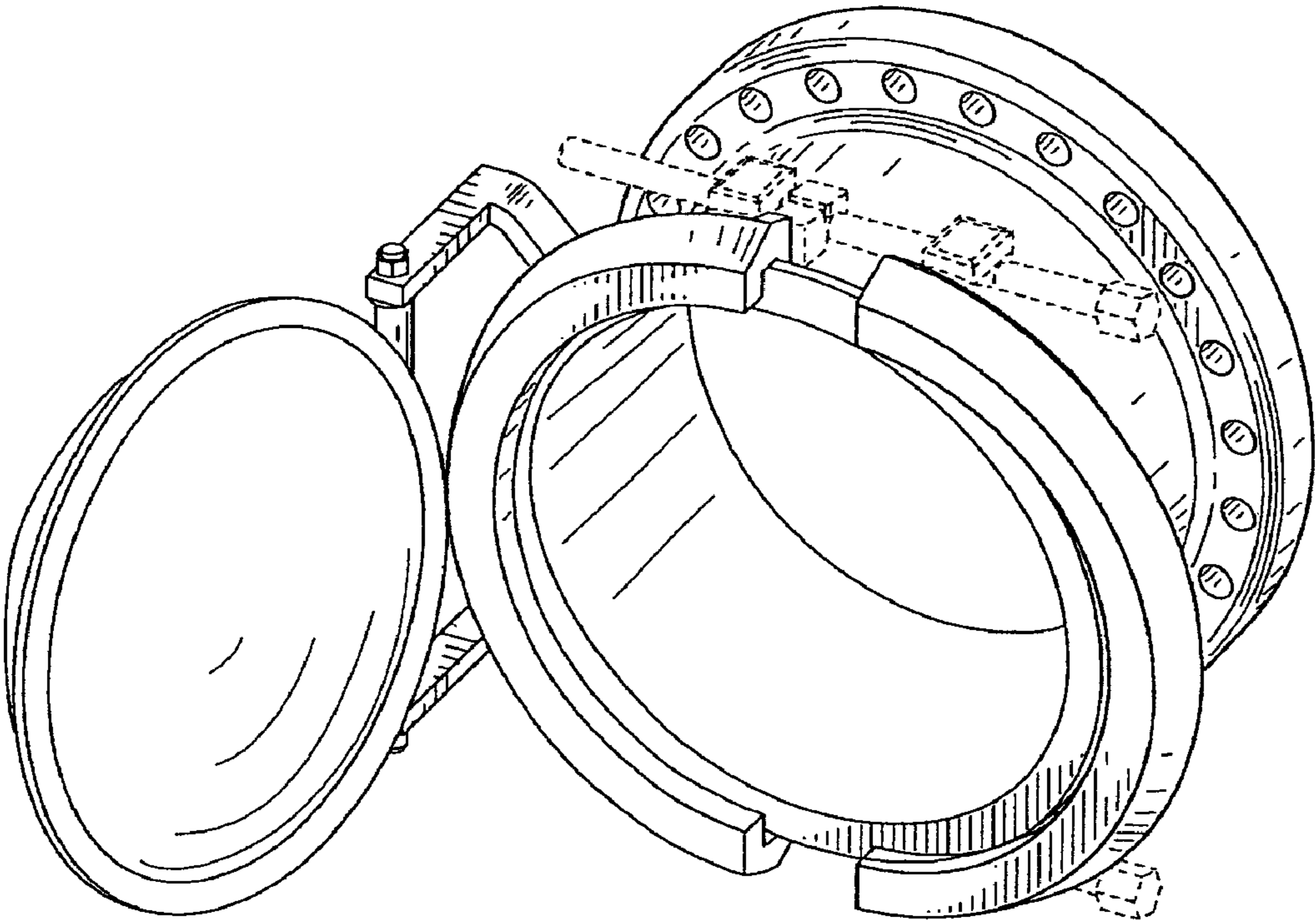


FIG. 8