



US00D678477S

(12) **United States Design Patent**  
**Kuhlman**

(10) **Patent No.:** **US D678,477 S**

(45) **Date of Patent:** **\*\* Mar. 19, 2013**

(54) **MULTI-OPENING SPIGOT**

D500,123 S \* 12/2004 Pelletz ..... D23/245  
D515,668 S \* 2/2006 Ng ..... D23/238  
D517,172 S \* 3/2006 Tripp et al. .... D23/245

(76) Inventor: **Timothy Kuhlman**, Lincoln, NE (US)

\* cited by examiner

(\*\*) Term: **14 Years**

*Primary Examiner* — Robert Delehanty

(21) Appl. No.: **29/401,568**

(74) *Attorney, Agent, or Firm* — Merchant & Gould P.C.

(22) Filed: **Sep. 12, 2011**

(57) **CLAIM**

(51) **LOC (9) Cl.** ..... **23-01**

The ornamental design for a multi-opening spigot, as shown and described.

(52) **U.S. Cl.** ..... **D23/238; D23/253**

(58) **Field of Classification Search** ..... D23/238,

D23/253, 255; 4/675–678; 137/801

See application file for complete search history.

**DESCRIPTION**

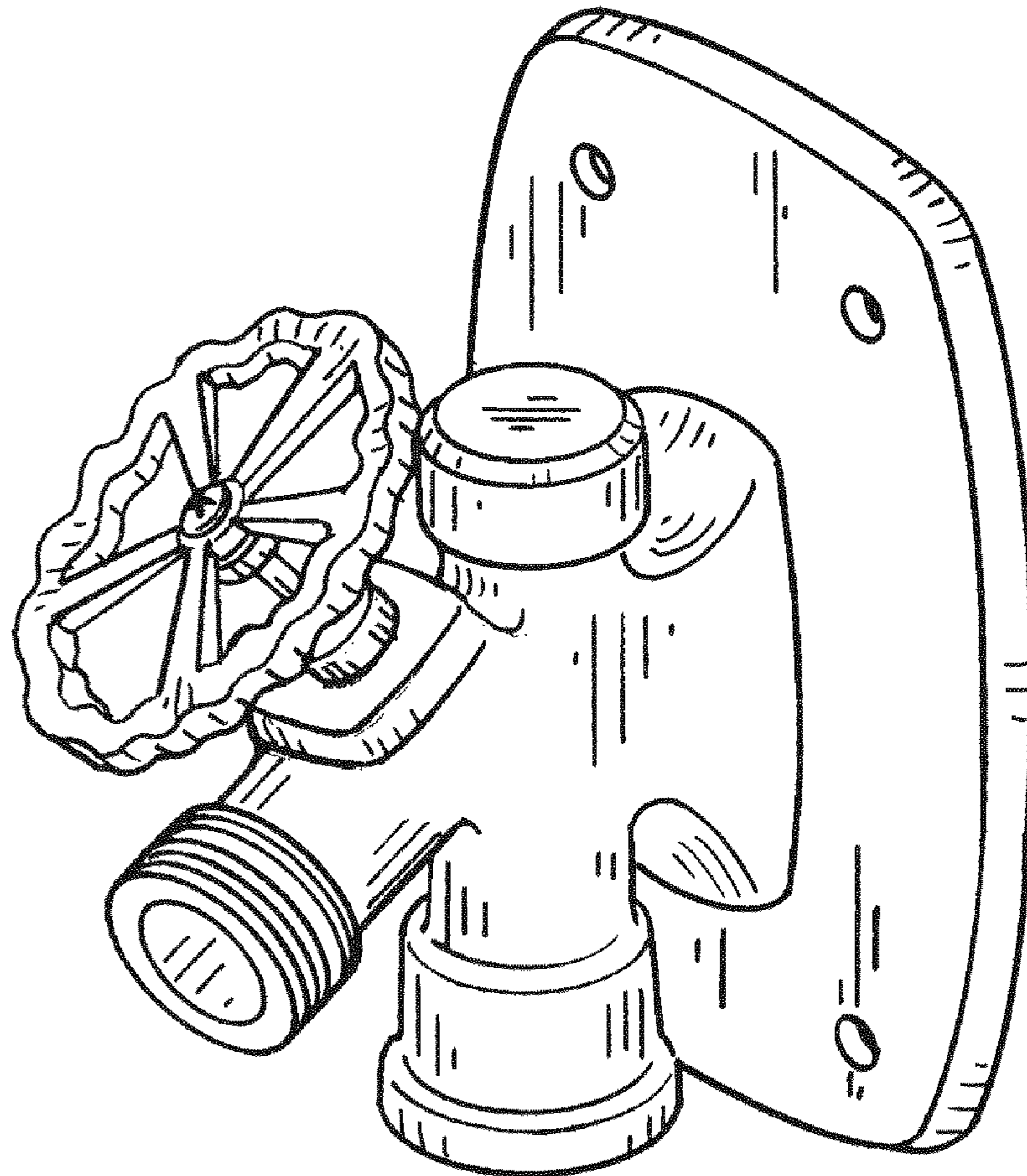
(56) **References Cited**

FIG. 1 is a perspective view showing my new design;  
FIG. 2 is a top elevational view thereof;  
FIG. 3 is a front view thereof;  
FIG. 4 is a side plan view thereof;  
FIG. 5 is a back plan view thereof; and,  
FIG. 6 is a back elevational view thereof.

**U.S. PATENT DOCUMENTS**

2,171,471 A \* 8/1939 Brunetti ..... D23/255  
D318,319 S \* 7/1991 Rokita ..... D23/238

**1 Claim, 2 Drawing Sheets**



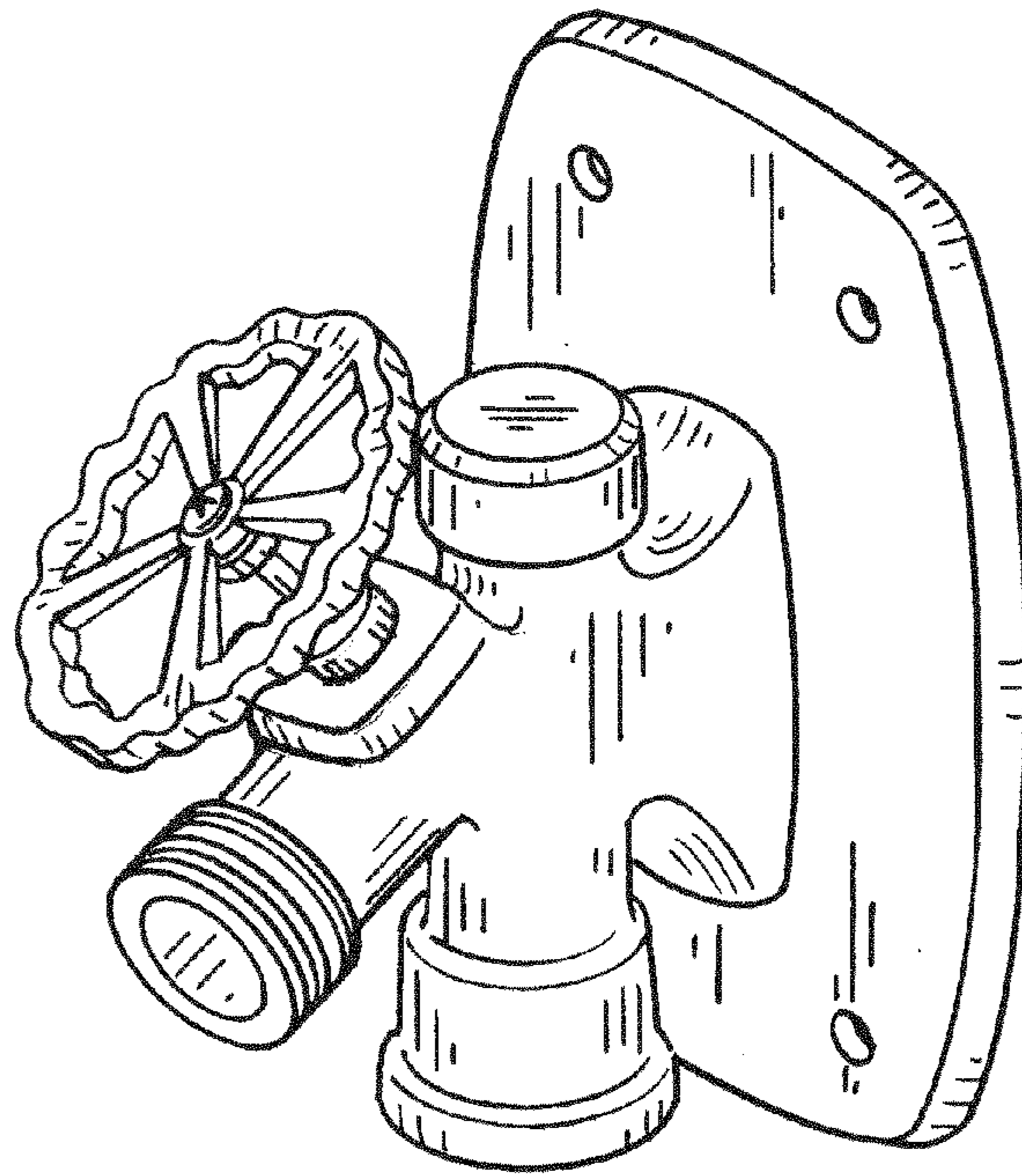


FIG. 1

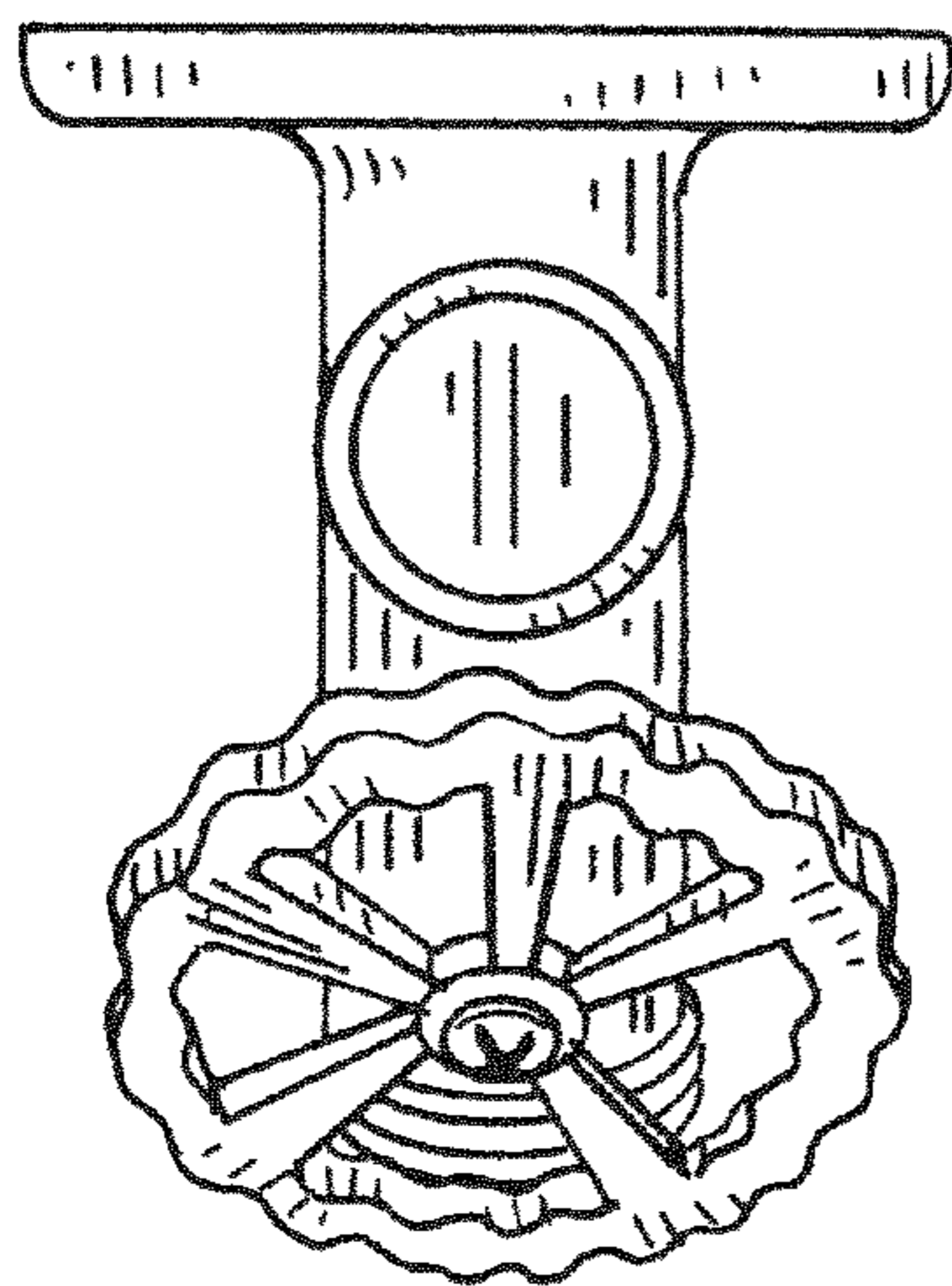


FIG. 2

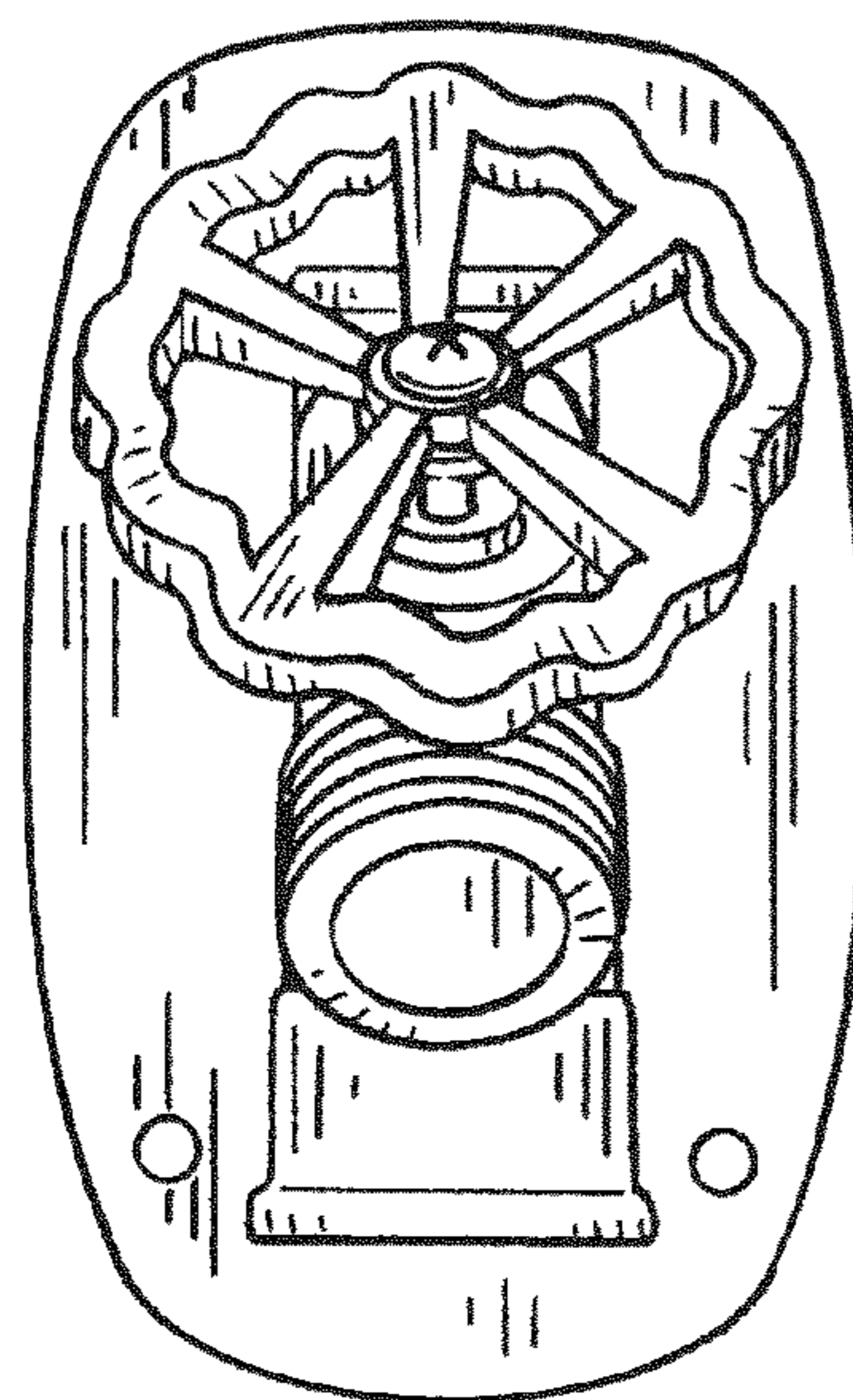


FIG. 3

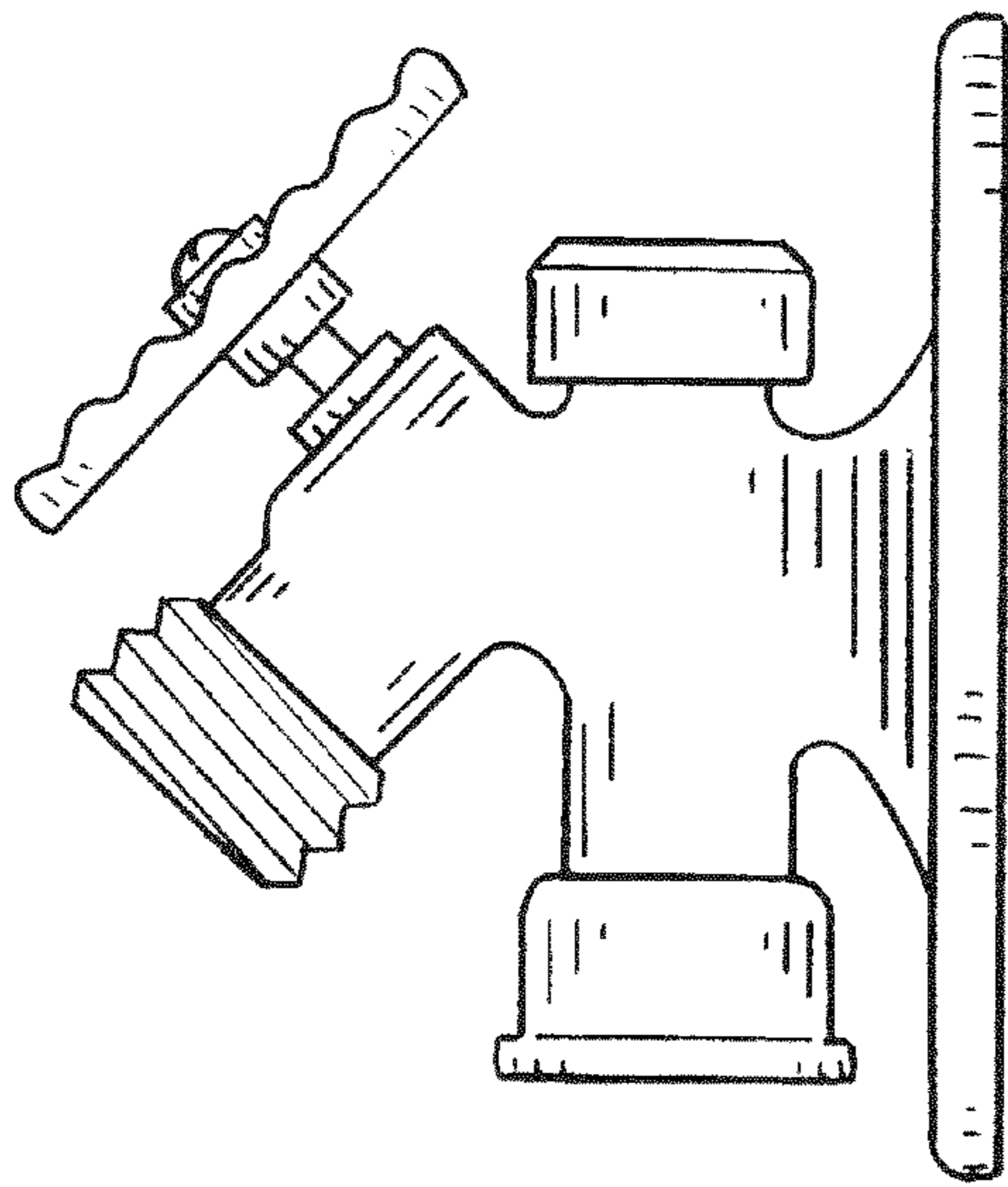


FIG. 4

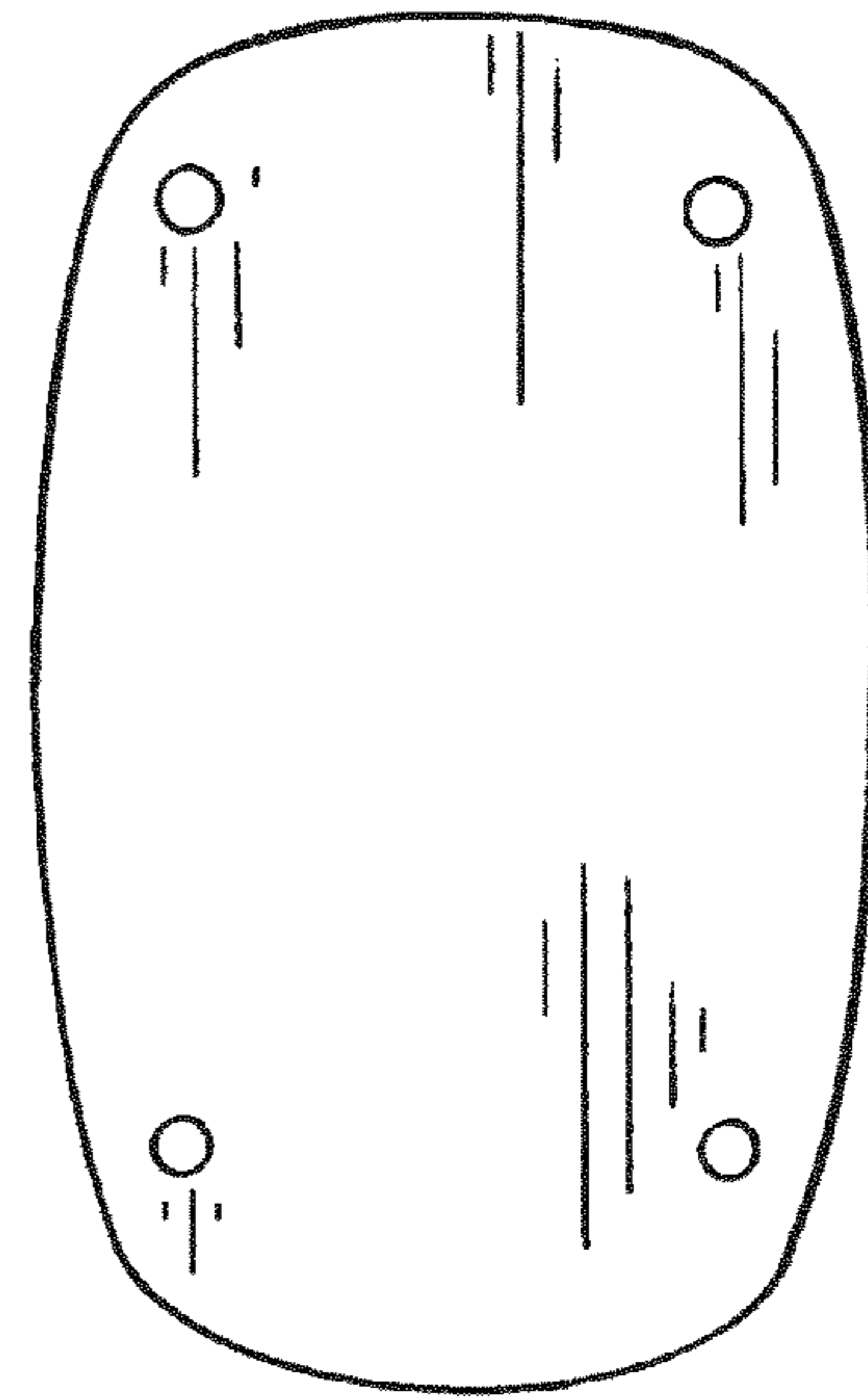


FIG. 5

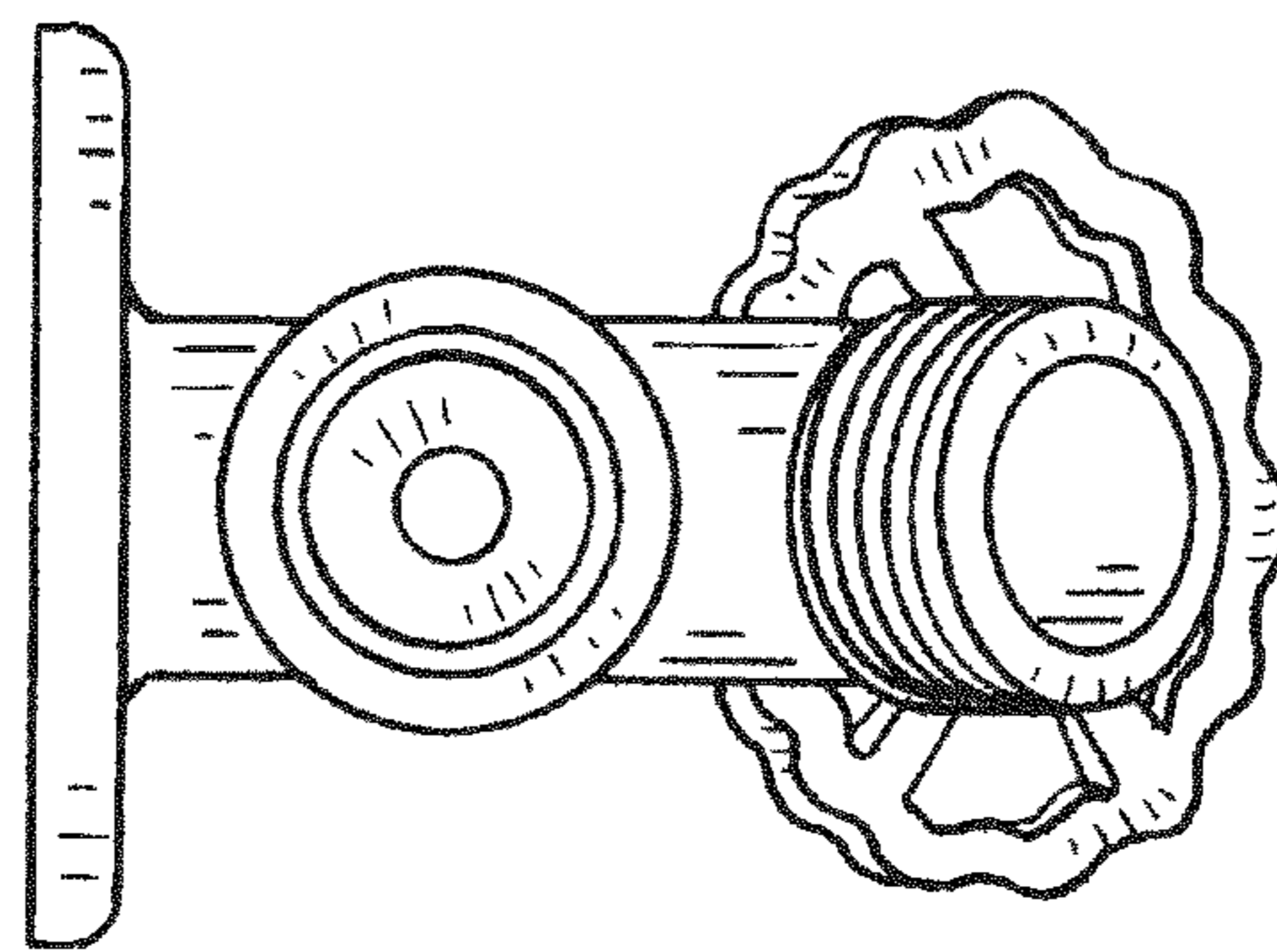


FIG. 6