

US00D678476S

(12) **United States Design Patent**
Shumway

(10) **Patent No.:** **US D678,476 S**
(45) **Date of Patent:** **** Mar. 19, 2013**

(54) **AIR SUPPLY UNIT**

(76) Inventor: **Mark S. Shumway**, Galion, OH (US)

(**) Term: **14 Years**

(21) Appl. No.: **29/365,517**

(22) Filed: **Jul. 9, 2010**

(51) **LOC (9) Cl.** **23-01**

(52) **U.S. Cl.** **D23/235**

(58) **Field of Classification Search** D23/233-237,
D23/244-249; D24/110.6; D10/46, 85,
D10/98, 102, 122-127; 137/505.42, 557,
137/382

See application file for complete search history.

D273,320 S	4/1984	Mattingly et al.	
D276,837 S	12/1984	Evans	
D291,231 S *	8/1987	Datta	D23/235
D315,971 S *	4/1991	Molzan	D24/110.6
D318,318 S *	7/1991	Datta et al.	D23/235
D319,868 S	9/1991	Robinson	
D526,046 S	8/2006	Lin	
D622,351 S *	8/2010	Foster	D23/233

* cited by examiner

Primary Examiner — Robin V Webster

Assistant Examiner — Maurice Stevens

(74) *Attorney, Agent, or Firm* — QuickPatents; Kevin Prince

(57) **CLAIM**

The ornamental design for an air supply unit, as shown and described.

(56) **References Cited**

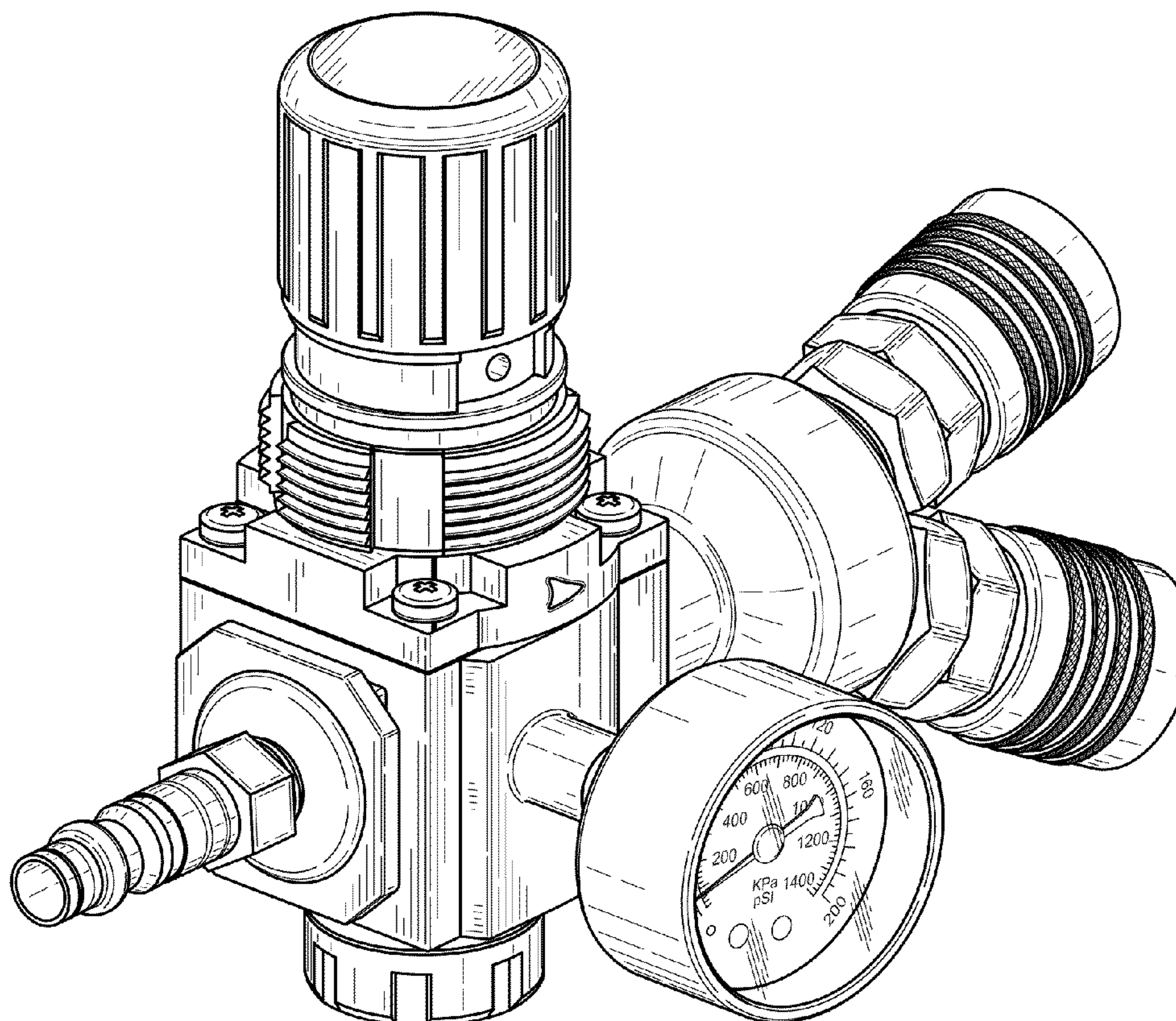
U.S. PATENT DOCUMENTS

D153,063 S	3/1949	Hammon	
D180,278 S	5/1957	Hammon	
D195,070 S *	4/1963	Lecocq	D24/110.6
D215,001 S	8/1969	Hammon	
D215,052 S	8/1969	Evans	
D245,482 S	8/1977	Flinta et al.	
D251,011 S	2/1979	Krechel et al.	
D255,225 S	6/1980	Lewis	
D259,734 S	6/1981	Cerrato	
D273,319 S	4/1984	Mattingly et al.	

DESCRIPTION

FIG. 1 is a perspective view of an air supply unit, showing the new design;
FIG. 2 is a front elevational view thereof;
FIG. 3 is a rear elevational view thereof;
FIG. 4 is a left-side elevational view thereof;
FIG. 5 is a right-side elevational view thereof;
FIG. 6 is a top plan view thereof; and,
FIG. 7 is a bottom plan view thereof.

1 Claim, 5 Drawing Sheets



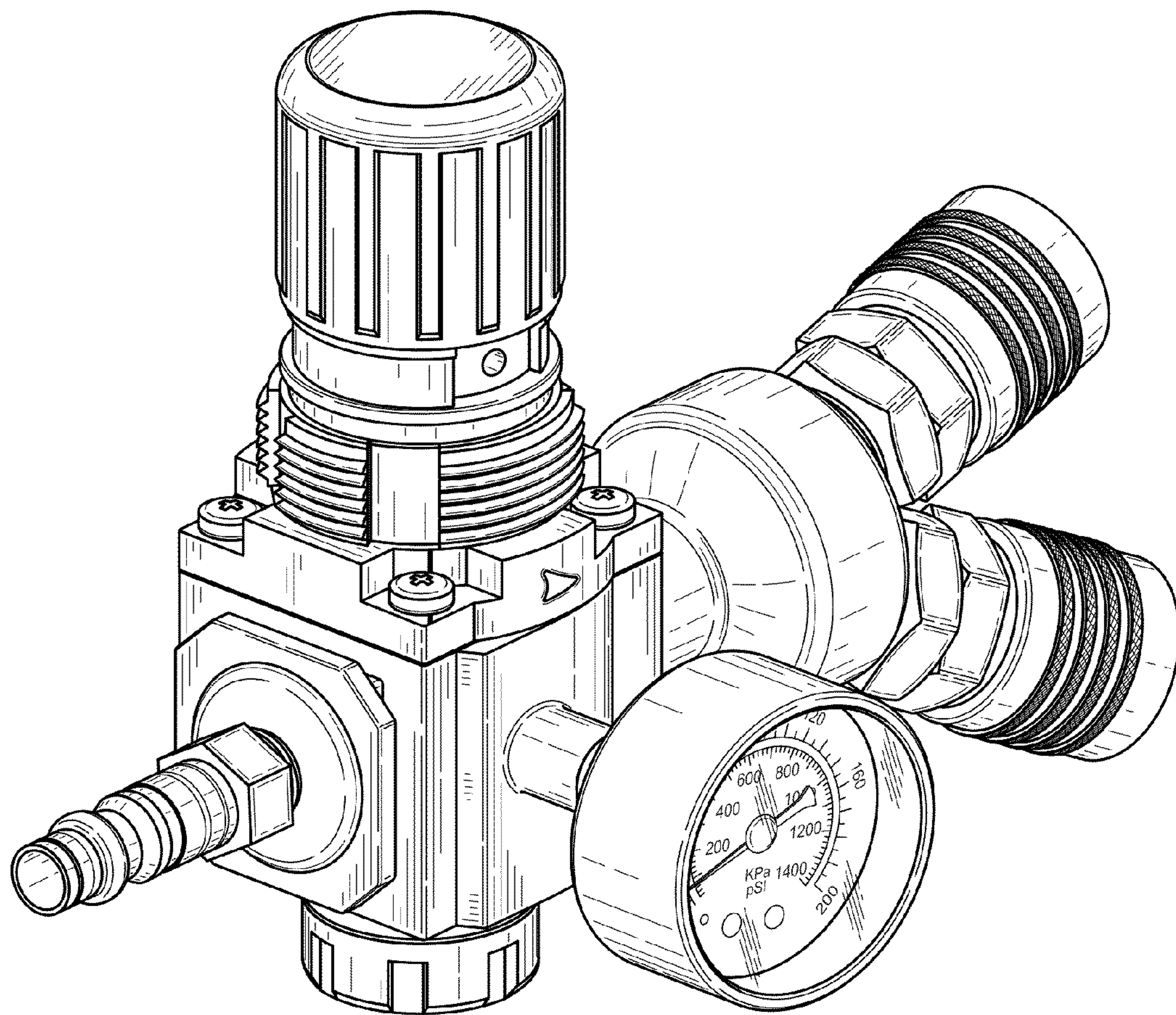


FIG.1

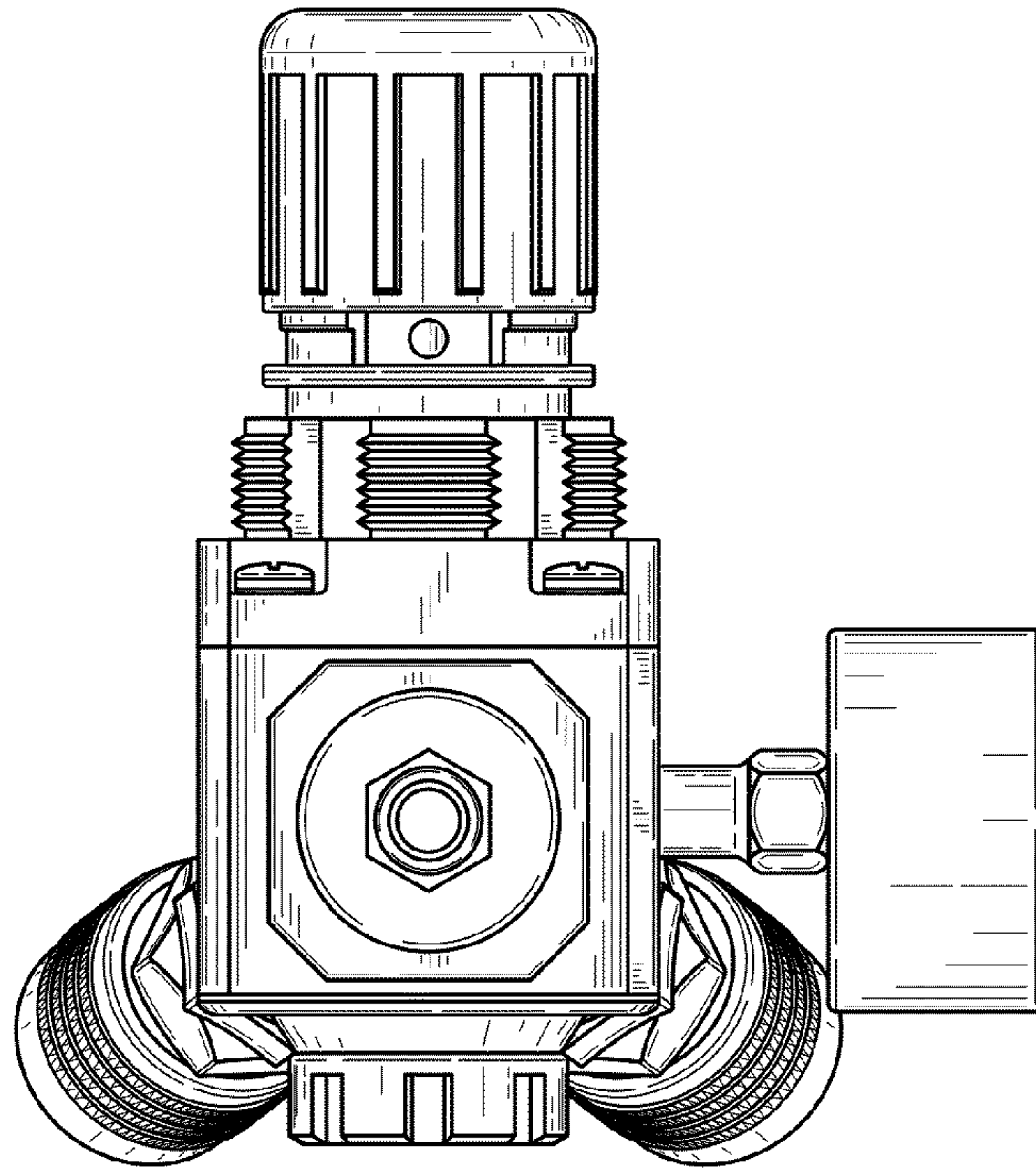


FIG. 2

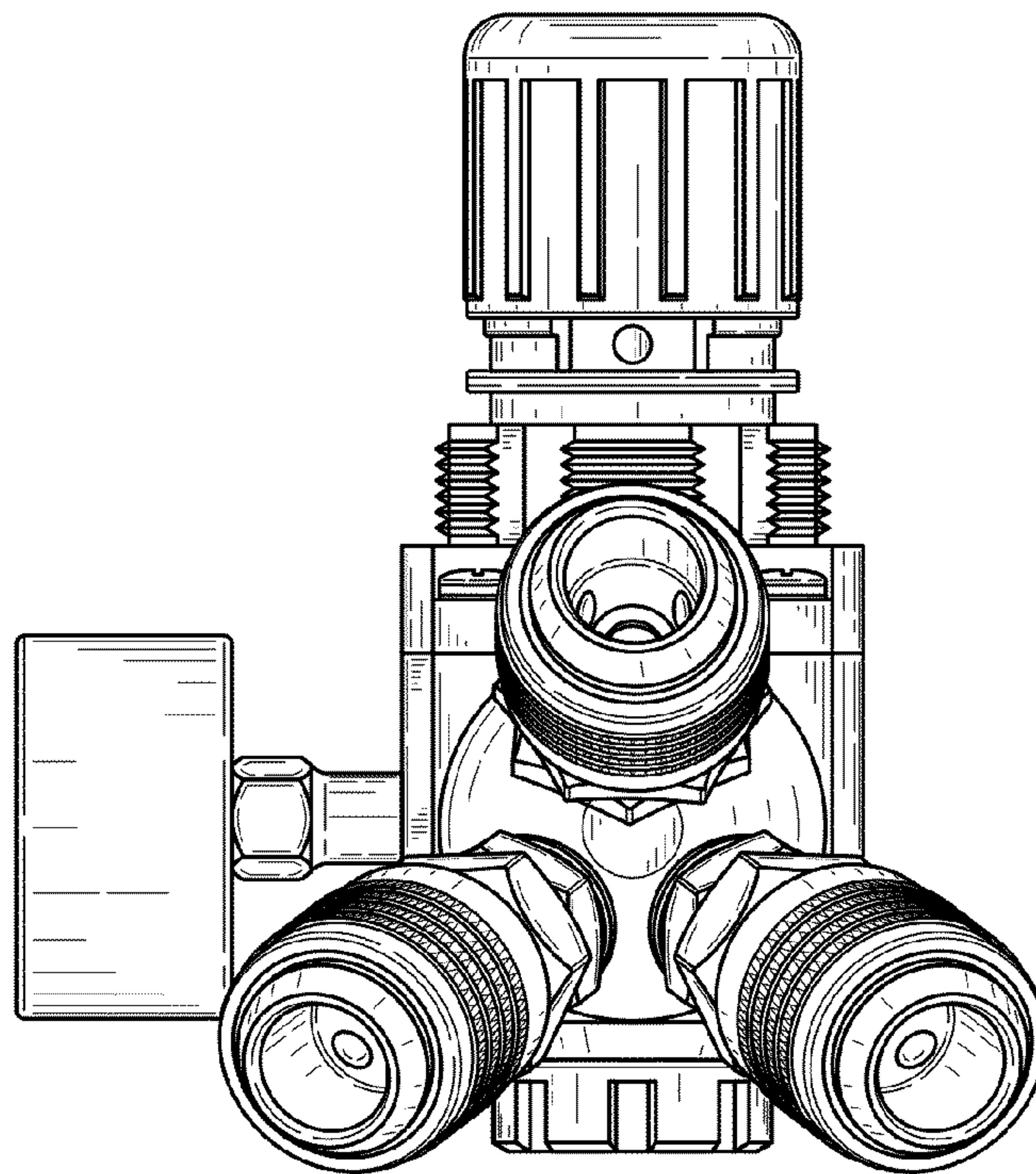


FIG. 3

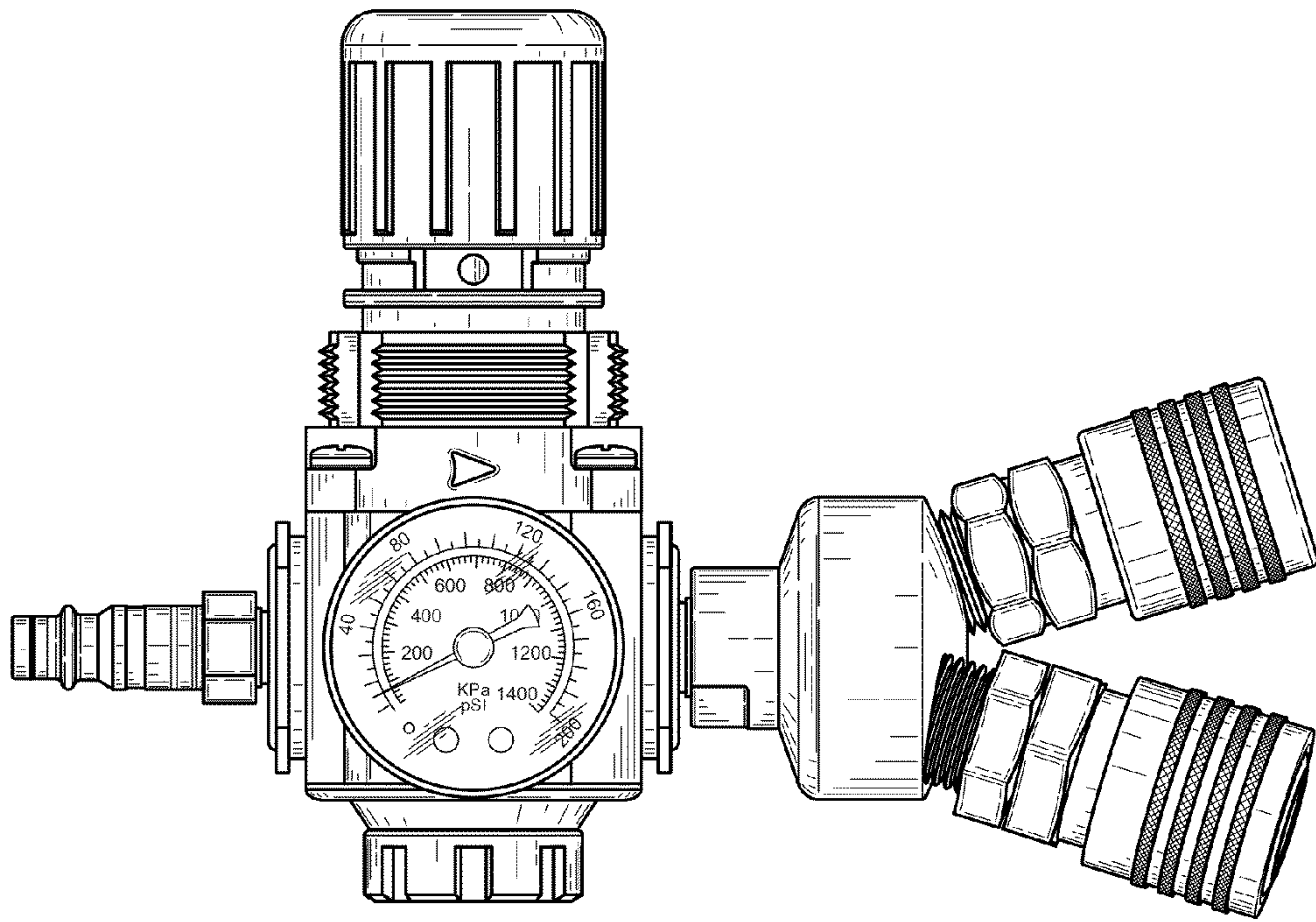


FIG. 4

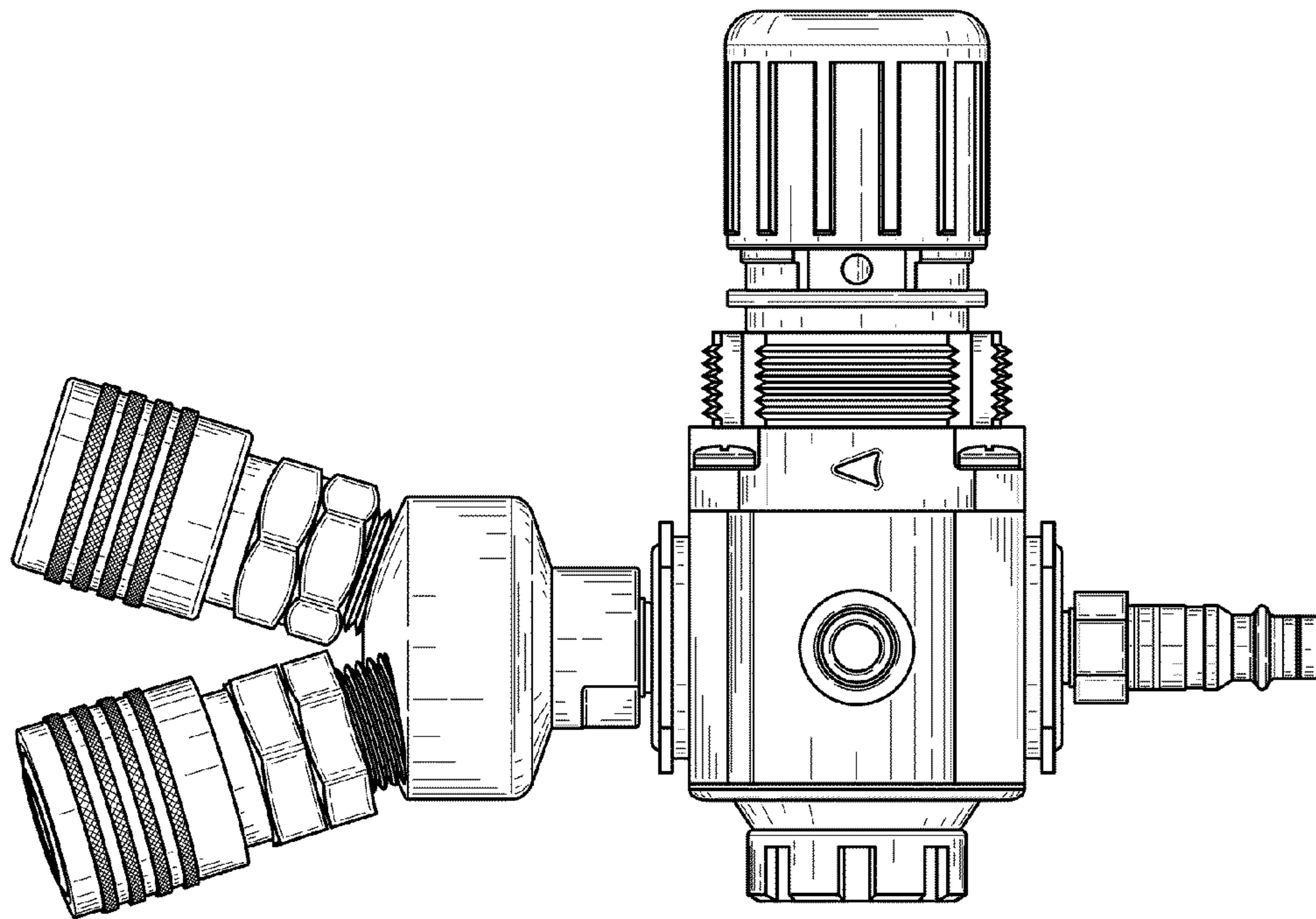


FIG. 5

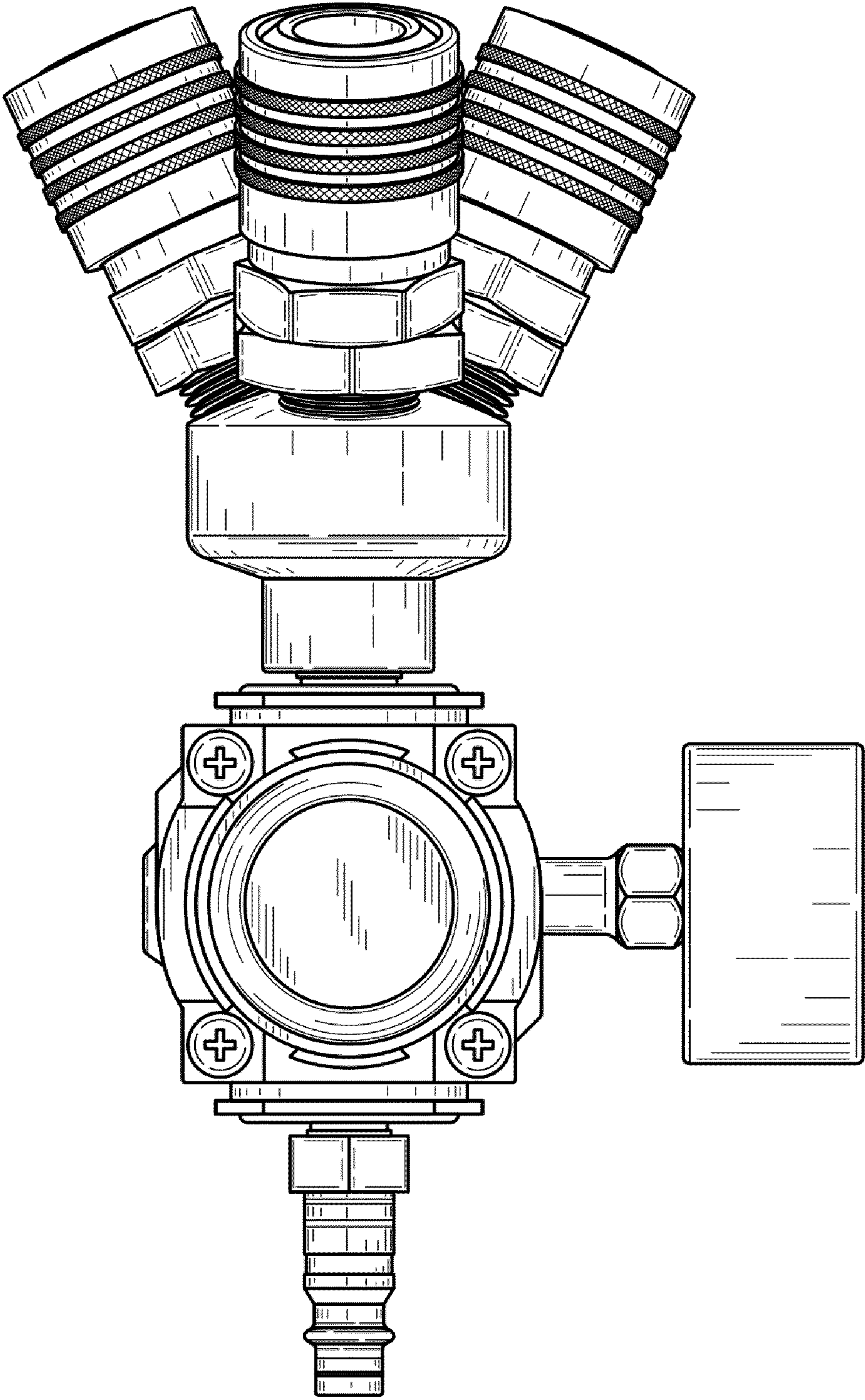


FIG. 6

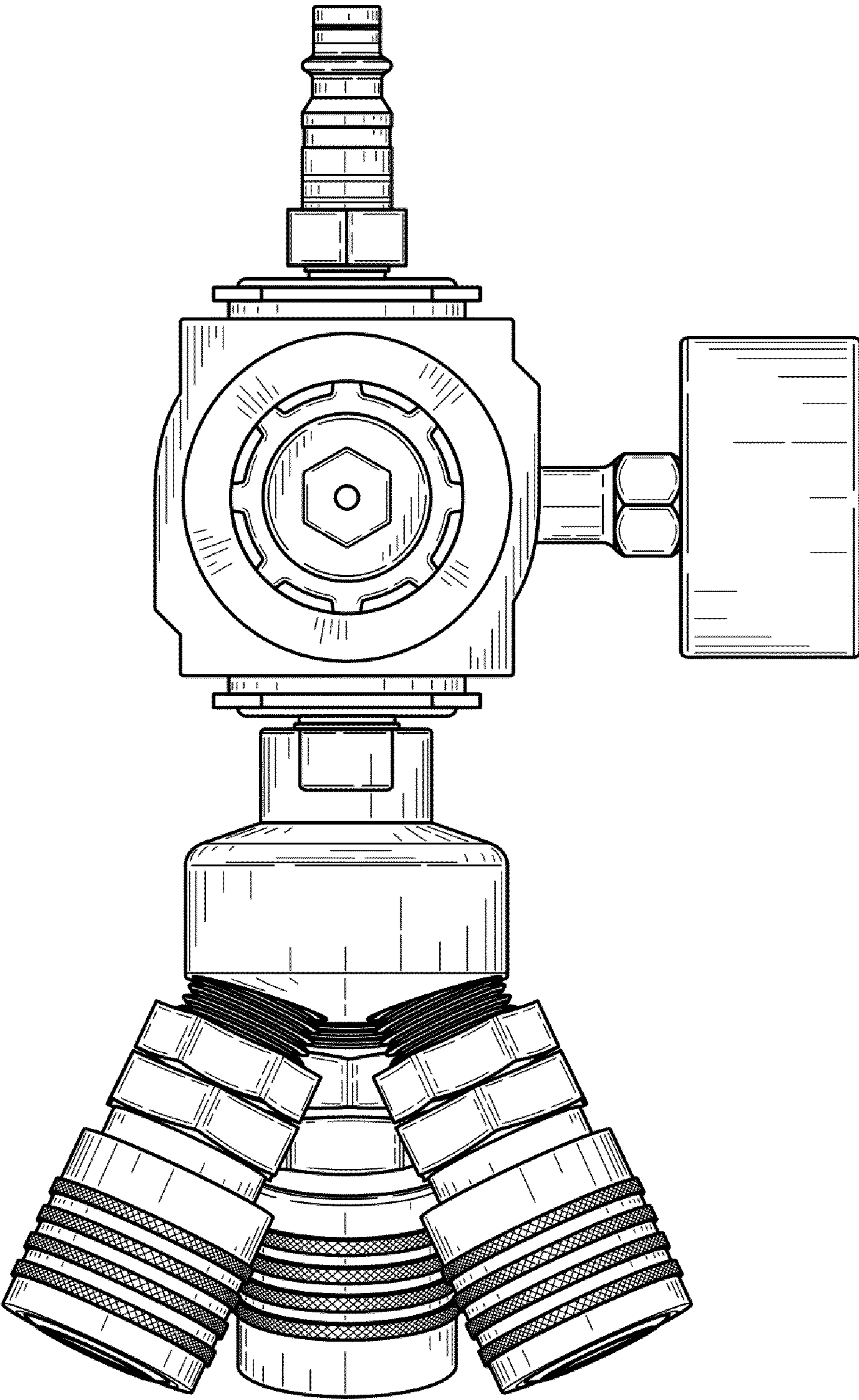


FIG. 7