

US00D678474S

(12) **United States Design Patent**
Sisk

(10) **Patent No.:** **US D678,474 S**
(45) **Date of Patent:** **** Mar. 19, 2013**

(54) **ARCUATE DISC FOR BUTTERFLY VALVE**
(75) Inventor: **David E. Sisk**, St. Francois, MO (US)
(73) Assignee: **Bulk Tank, Inc.**, Park Hills, MO (US)
(**) Term: **14 Years**
(21) Appl. No.: **29/373,130**
(22) Filed: **Mar. 4, 2011**

3,960,177 A	6/1976	Baumann	
4,335,738 A	6/1982	Nassir	
4,469,305 A	9/1984	Baumann	
4,786,031 A *	11/1988	Waldrop	251/368
5,125,624 A *	6/1992	Yohner	251/308
6,722,137 B2 *	4/2004	Proctor et al.	60/782
7,895,989 B2 *	3/2011	Bessho	123/337
D637,695 S *	5/2011	Fujiyama	D23/233
D645,119 S *	9/2011	Fujiyama	D23/233
D650,470 S *	12/2011	Fujiyama	D23/233
D653,728 S *	2/2012	Light	D23/233

(51) **LOC (9) Cl.** **23-01**
(52) **U.S. Cl.** **D23/233**
(58) **Field of Classification Search** D23/233-237;
251/305-308
See application file for complete search history.

* cited by examiner

Primary Examiner — Robin V Webster
(74) *Attorney, Agent, or Firm* — Paul M. Denk

(57) **CLAIM**
The ornamental design for the arcuate disc for butterfly valve, as shown and described.

(56) **References Cited**

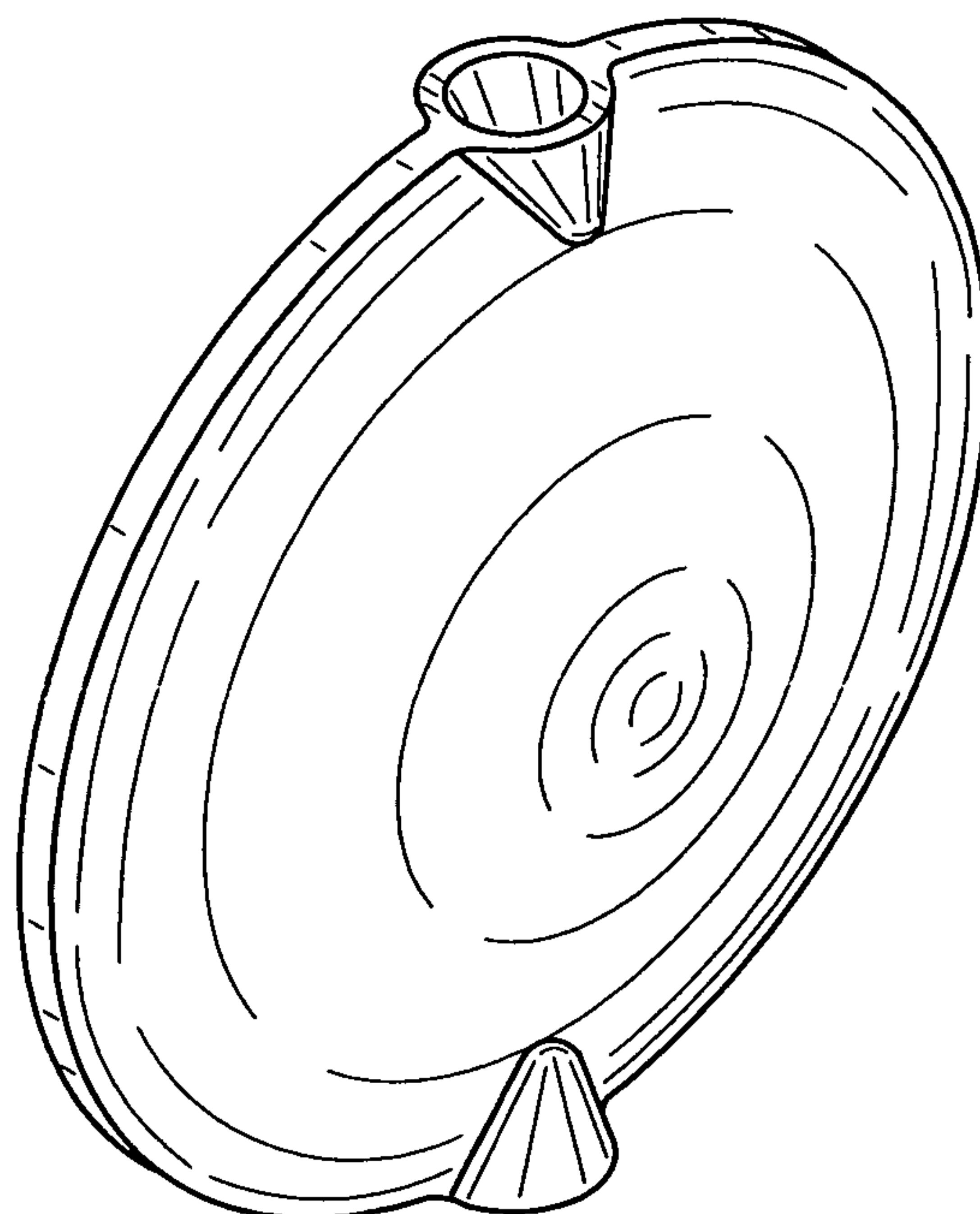
DESCRIPTION

U.S. PATENT DOCUMENTS

965,322 A	7/1910	Peterson
1,131,371 A	3/1915	Hatfield
1,302,891 A	5/1919	Balthasar
2,278,421 A	4/1942	Brown
2,361,006 A	10/1944	Brown
2,816,729 A	12/1957	Jensen
2,882,010 A	4/1959	Bryant
3,269,414 A	8/1966	Mayo
3,290,001 A	12/1966	Taylor
3,298,677 A	1/1967	Anderson
3,677,297 A	7/1972	Walton
3,680,833 A	8/1972	McNeely, Jr.

FIG. 1 is an isometric view of the arcuate disc for butterfly valve of this invention;
FIG. 2 is a top plan view;
FIG. 3 is a bottom view;
FIG. 4 is a right side view;
FIG. 5 is a left side view;
FIG. 6 is a left side view of the disc turned 19°;
FIG. 7 is a right side view of the disc turned 19°; and,
FIG. 8 is a sectional view taken along the line 8-8 of FIG. 2.

1 Claim, 2 Drawing Sheets



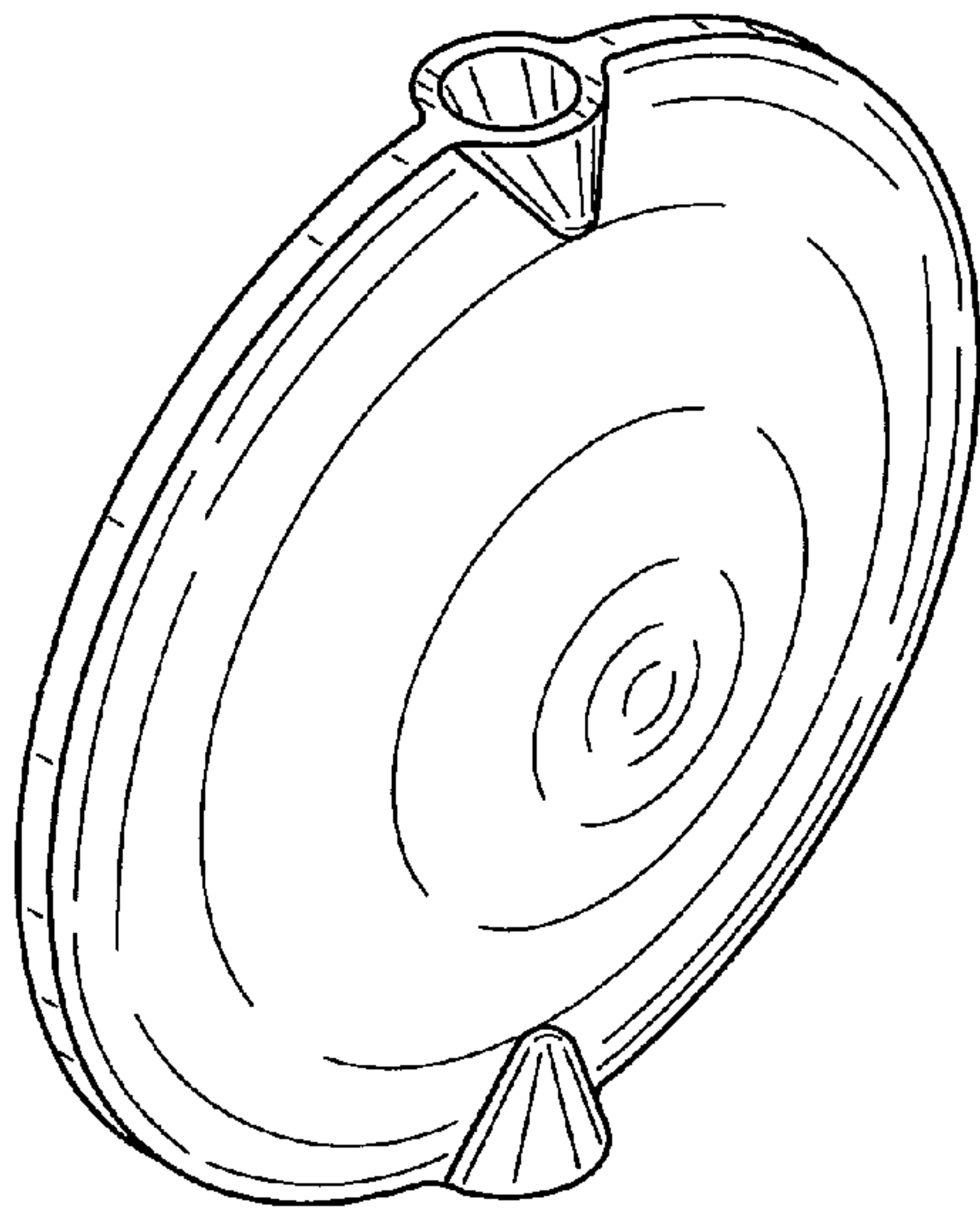


FIG. 1

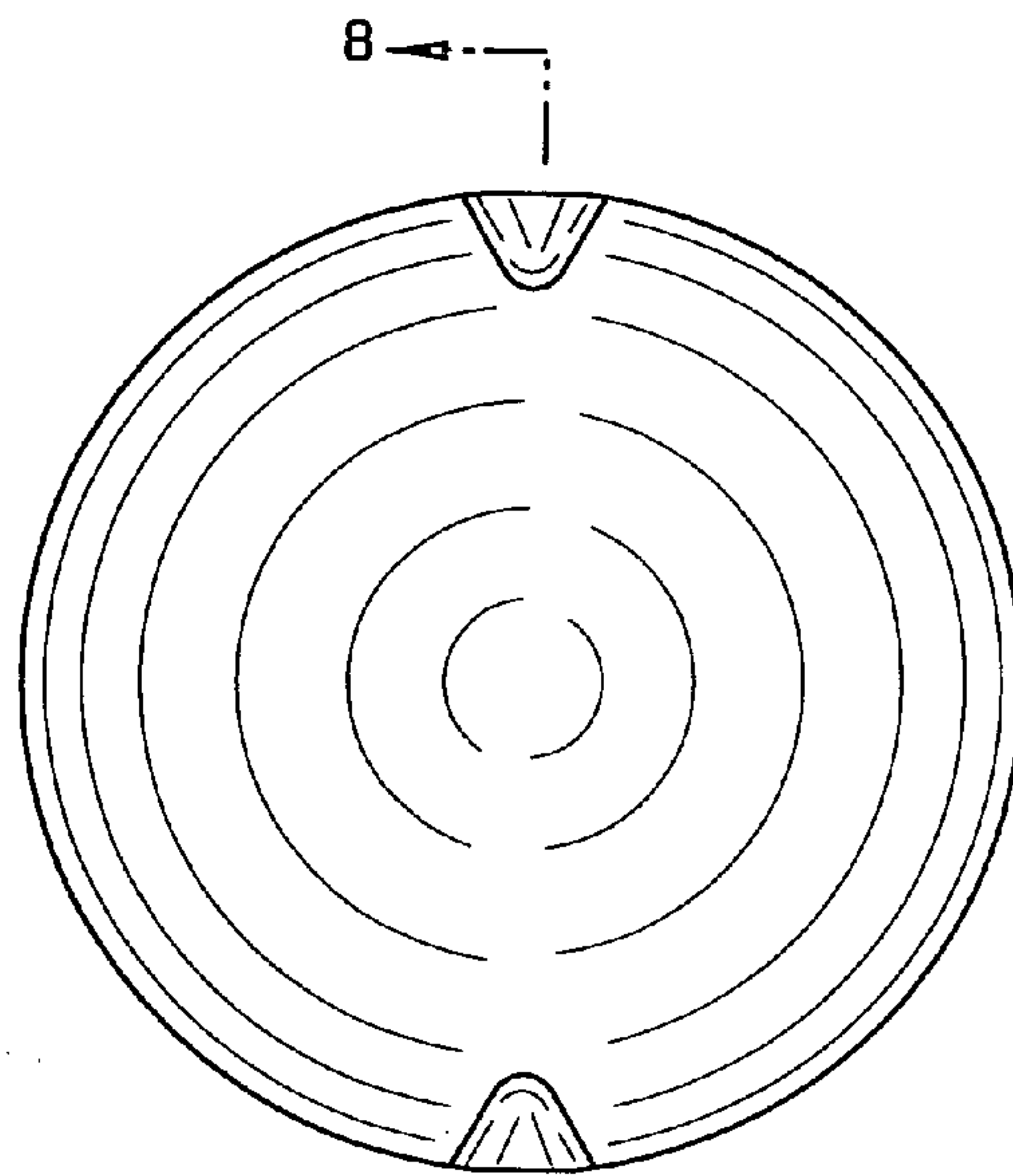


FIG. 2

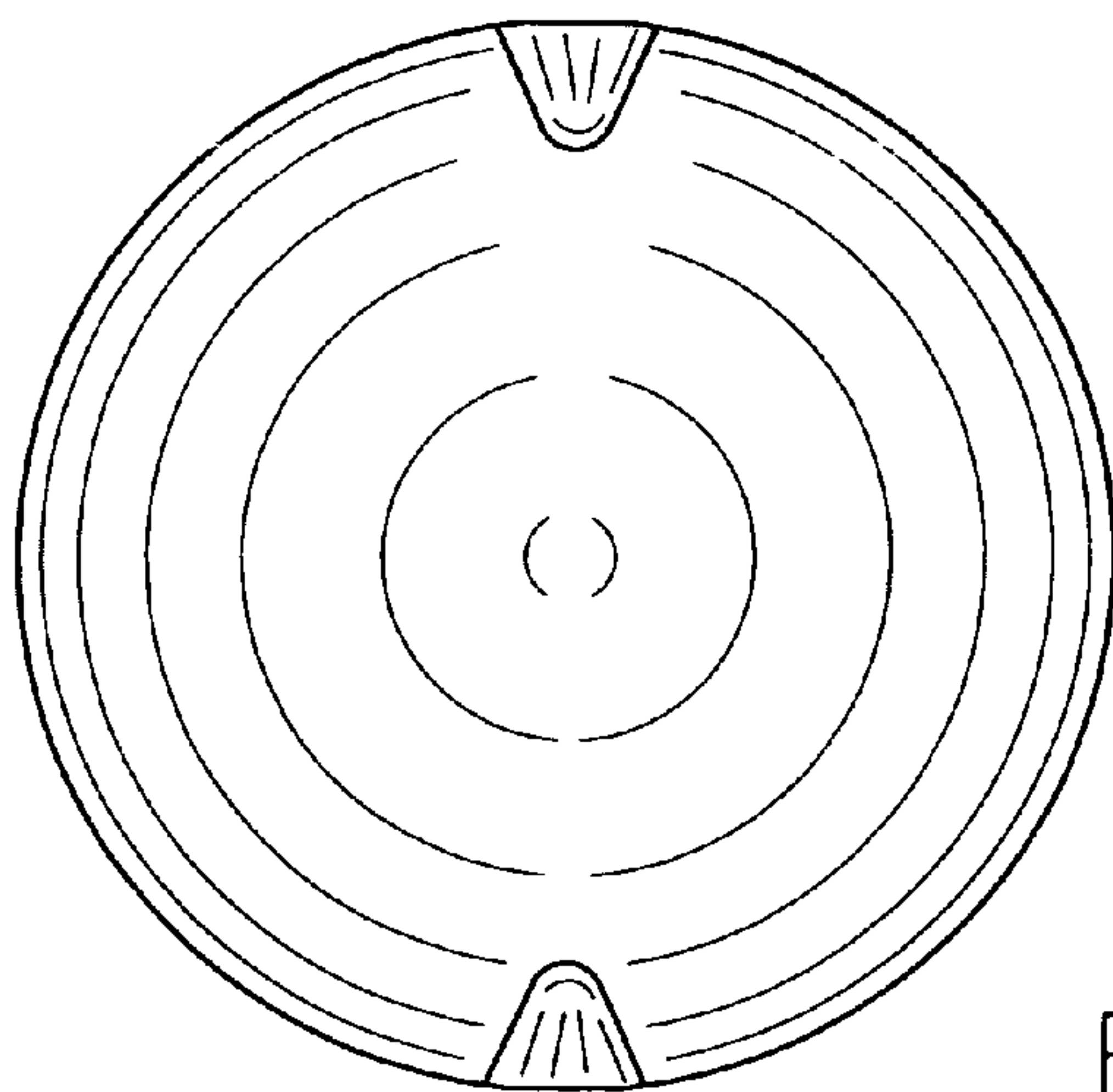


FIG. 3

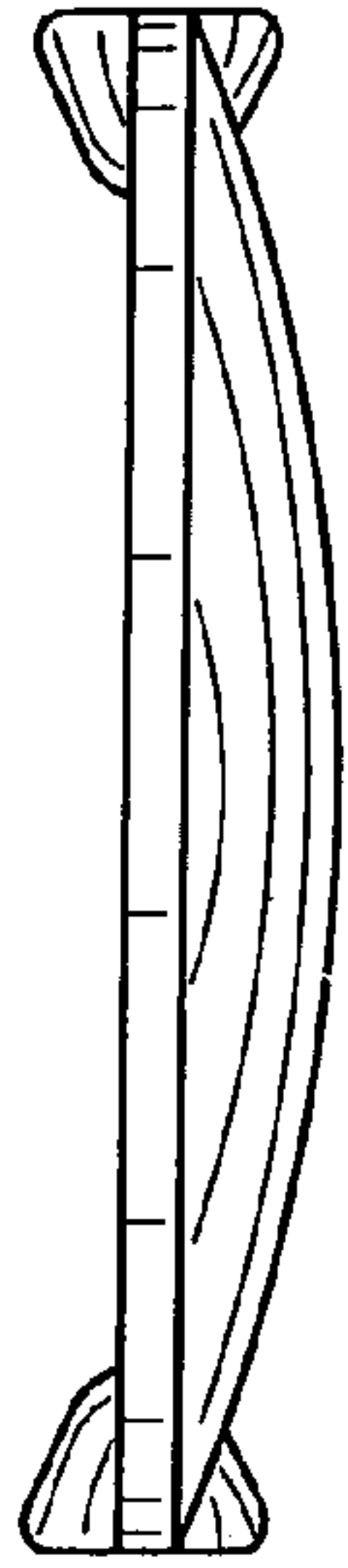


FIG. 4

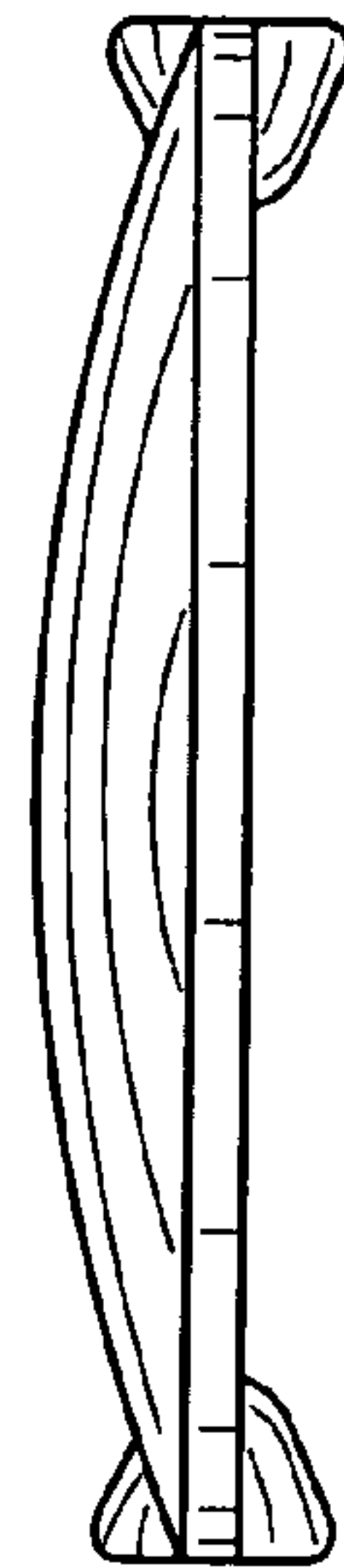


FIG. 5

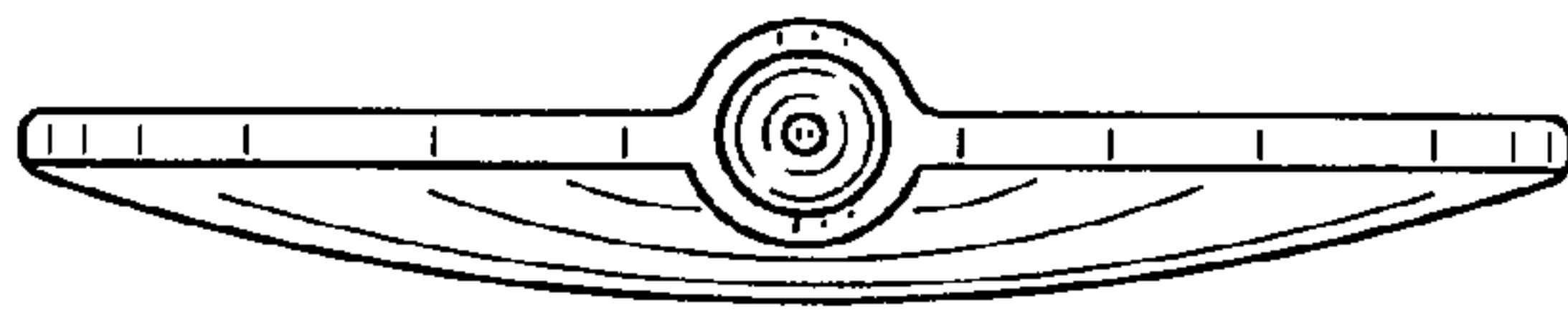


FIG. 6

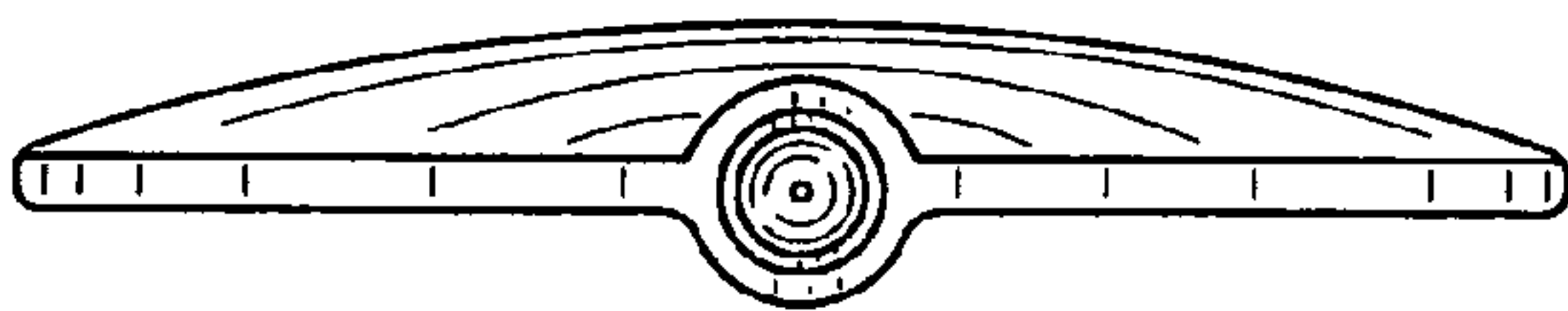


FIG. 7

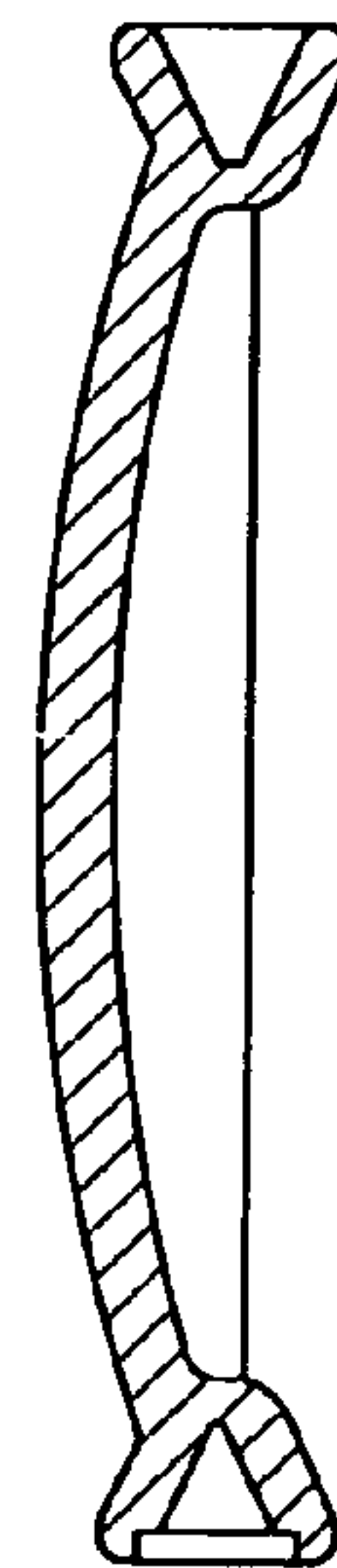


FIG. 8