



US00D678471S

(12) **United States Design Patent**
Sisk

(10) **Patent No.:** **US D678,471 S**

(45) **Date of Patent:** **** Mar. 19, 2013**

(54) **VALVE WITH HANDLE EXTENSION**

D433,482 S * 11/2000 Beaver et al. D23/237
6,959,909 B2 * 11/2005 Bancroft et al. 251/109
D625,390 S * 10/2010 Ambrosi D23/237

(75) Inventor: **David E. Sisk**, St. Francois, MO (US)

* cited by examiner

(73) Assignee: **Bulk Tank, Inc.**, Park Hills, MO (US)

Primary Examiner — Robin V Webster

(**) Term: **14 Years**

(74) *Attorney, Agent, or Firm* — Paul M. Denk

(21) Appl. No.: **29/372,801**

(57) **CLAIM**

(22) Filed: **Jan. 13, 2011**

The ornamental design for the valve with handle extension, as shown and described.

(51) **LOC (9) Cl.** **23-01**

DESCRIPTION

(52) **U.S. Cl.** **D23/233**

(58) **Field of Classification Search** D23/233-237,
D23/249; 137/385; 251/293

FIG. 1 is an isometric view of the valve with handle extension;
FIG. 2 is a top plan view;
FIG. 3 is a bottom view;
FIG. 4 is a right side view;
FIG. 5 is a left side view;
FIG. 6 is a back view; and,
FIG. 7 is a front view.

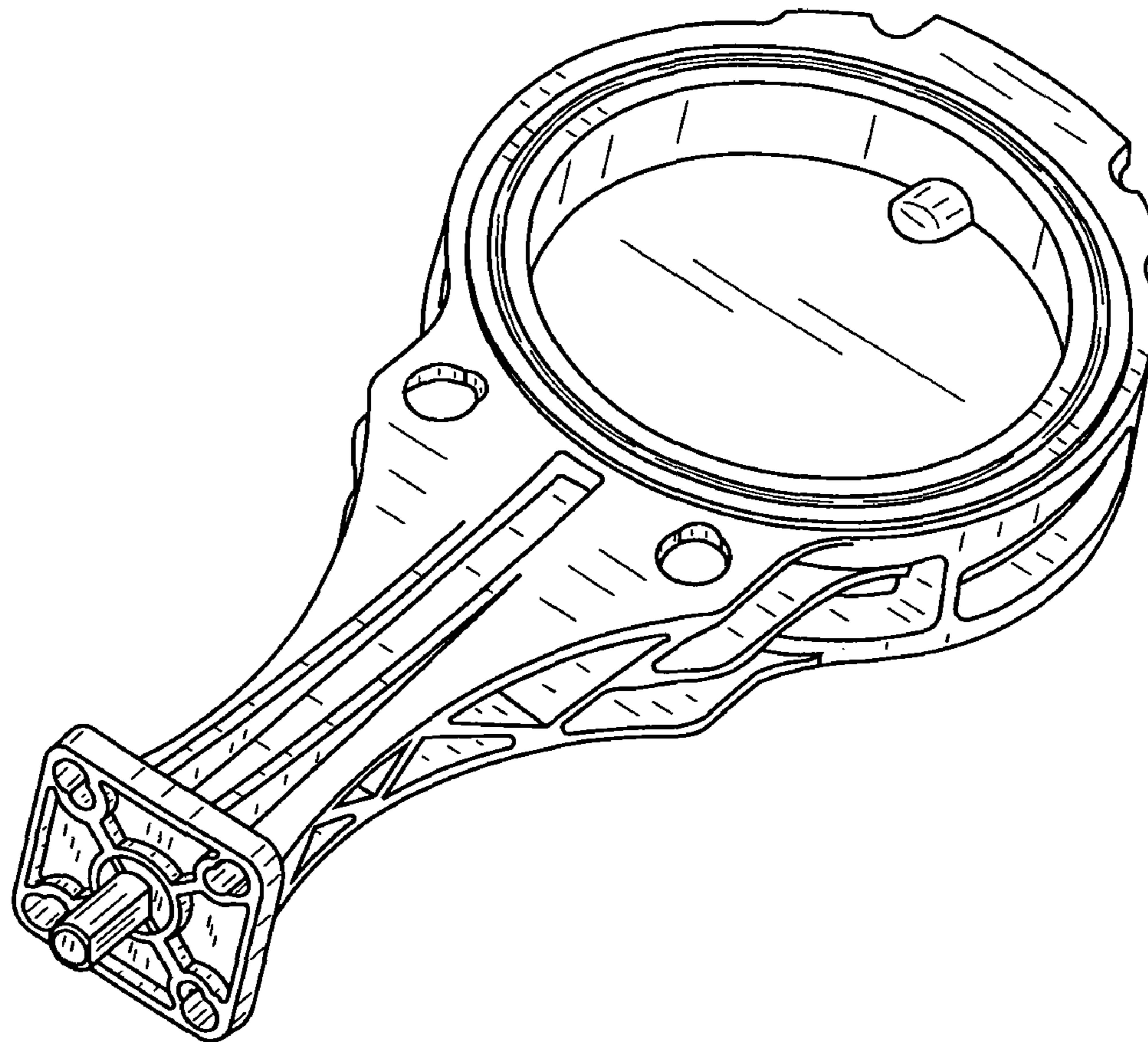
See application file for complete search history.

(56) **References Cited**

U.S. PATENT DOCUMENTS

D397,767 S * 9/1998 Gustafsson D23/237
D420,099 S * 2/2000 Lewis et al. D23/233

1 Claim, 2 Drawing Sheets



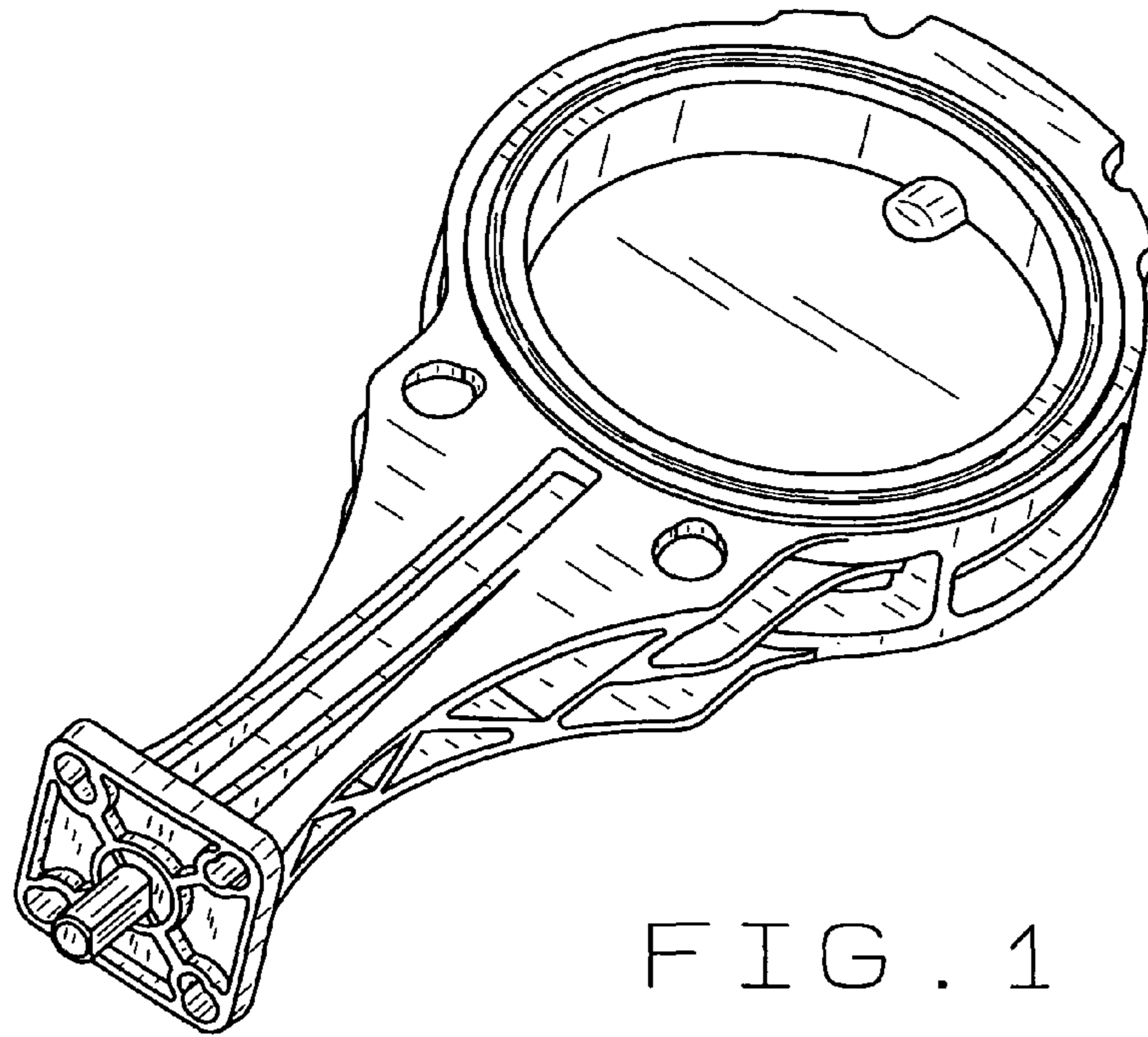


FIG. 1

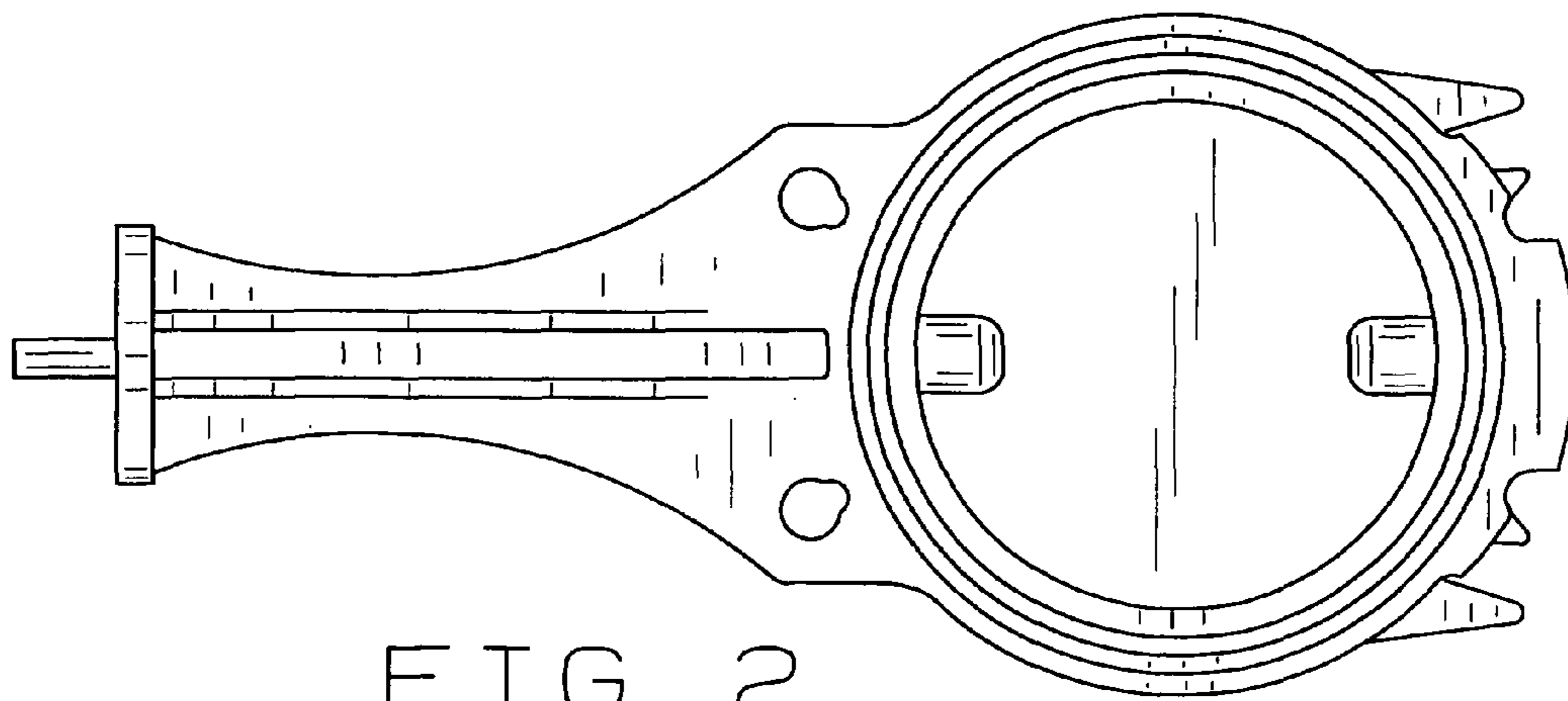


FIG. 2

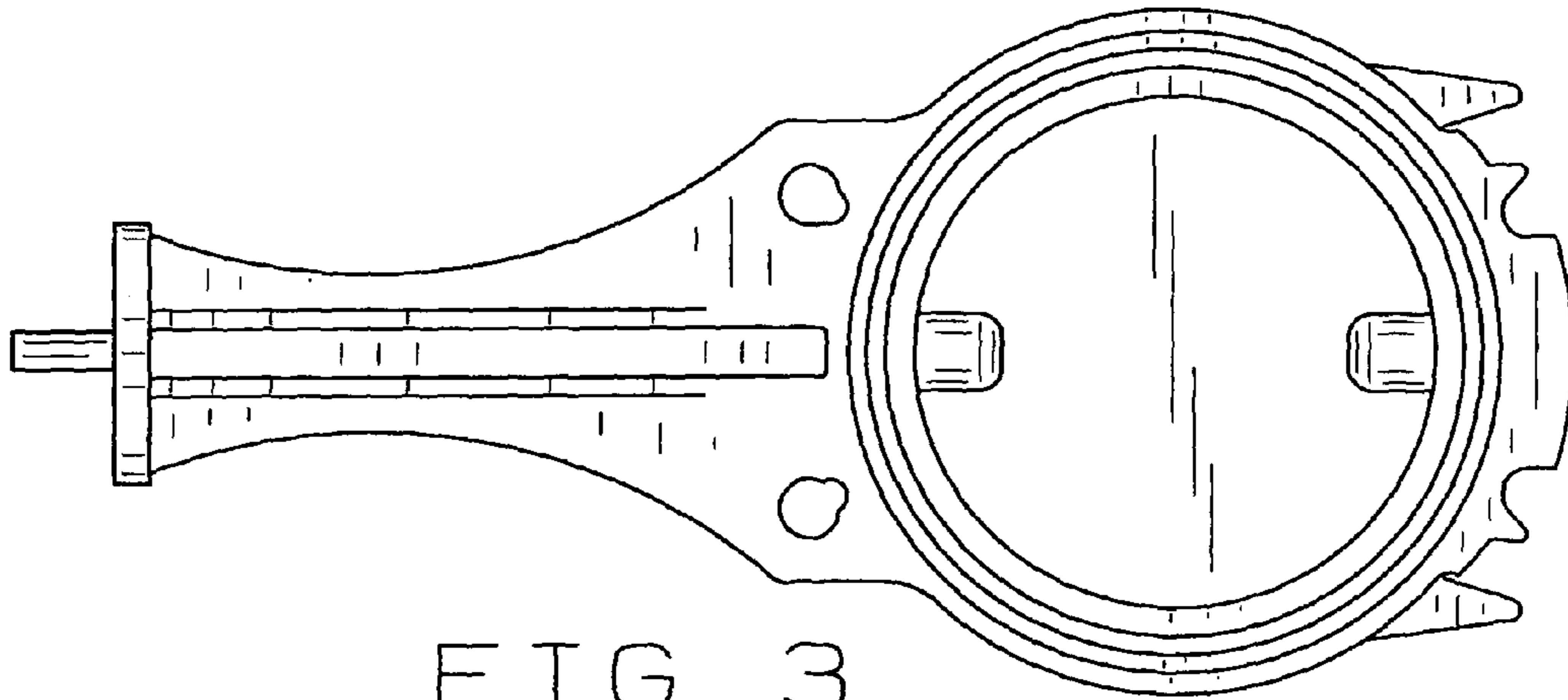


FIG. 3

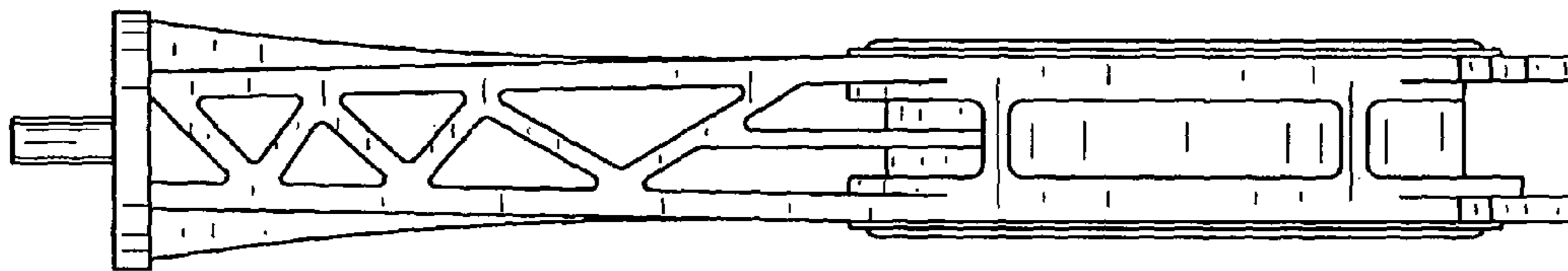


FIG. 4

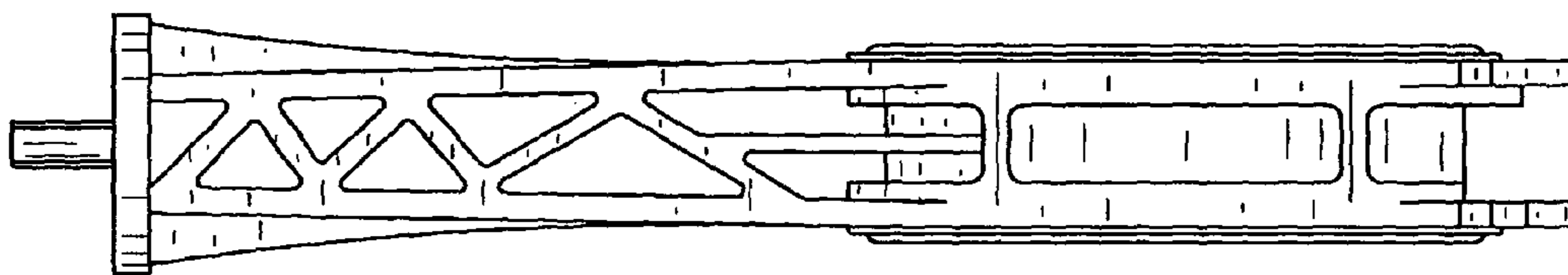


FIG. 5

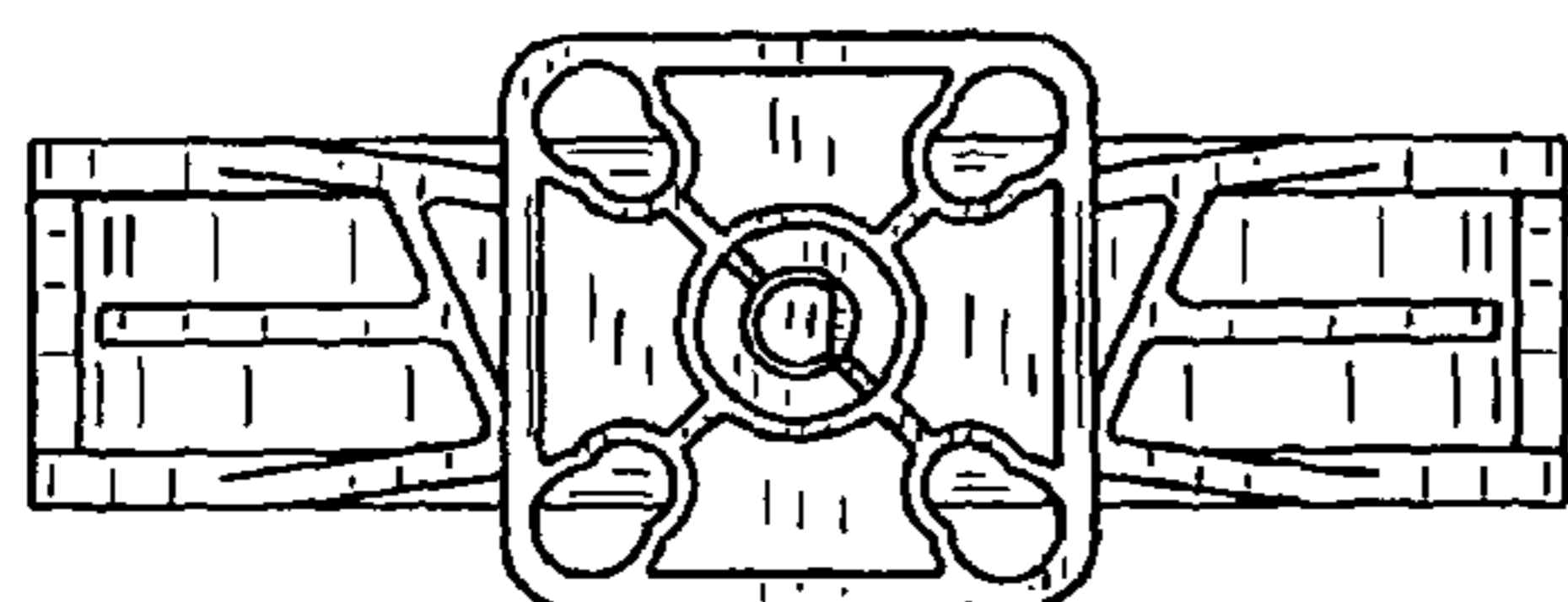


FIG. 6

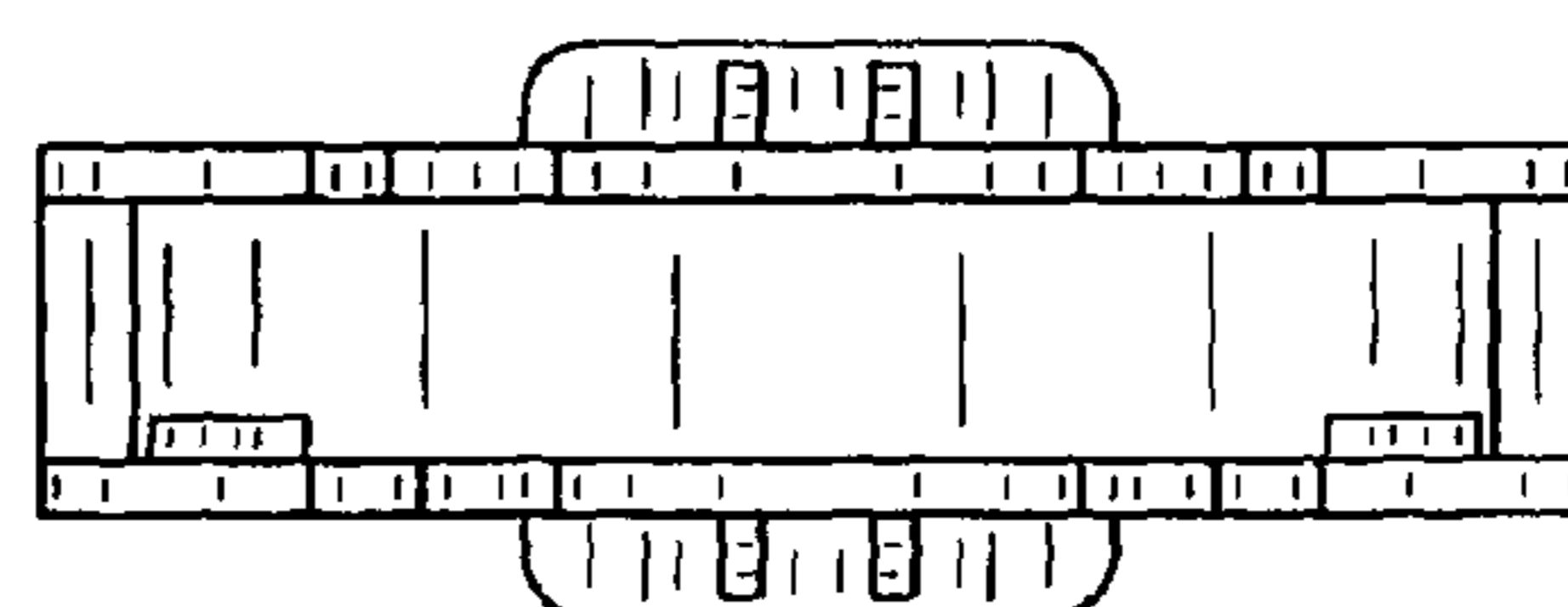


FIG. 7