



US00D678470S

(12) **United States Design Patent**
Mortensen

(10) **Patent No.:** **US D678,470 S**
(45) **Date of Patent:** **** Mar. 19, 2013**

(54) **MAGNET VALVE HOUSING**

(75) Inventor: **Ole Mortensen**, Kolding (DK)

(73) Assignee: **Danfoss A/S**, Nordborg (DK)

(**) Term: **14 Years**

(21) Appl. No.: **29/342,076**

(22) Filed: **Aug. 18, 2009**

(51) **LOC (9) Cl.** **23-01**

(52) **U.S. Cl.** **D23/233**

(58) **Field of Classification Search** D23/233-237,
D23/244-250; 137/454.2, 454.4, 549; 335/250,
335/278; 251/15, 17, 38, 40, 236, 243, 129.15,
251/129.17; 4/422, 249

See application file for complete search history.

(56) **References Cited**

U.S. PATENT DOCUMENTS

D568,965 S	*	5/2008	Johnson	D23/233
D602,564 S	*	10/2009	Nimberger	D23/233
D602,565 S	*	10/2009	Nimberger	D23/233
D603,017 S	*	10/2009	Nimberger	D23/233
D606,167 S	*	12/2009	Nimberger	D23/233

* cited by examiner

Primary Examiner — Robin V Webster

(74) *Attorney, Agent, or Firm* — McCormick, Paulding & Huber LLP

(57) **CLAIM**

The ornamental design for a magnet valve housing, substantially as shown and described.

DESCRIPTION

FIG. 1 is a front, right-hand side perspective view of a magnet valve housing comprising a new, original and ornamental design;

FIG. 2 is a front view of a magnet valve housing comprising the new, original and ornamental design;

FIG. 3 is a rear view of a magnet valve housing comprising the new, original and ornamental design;

FIG. 4 is a right-hand side view of a magnet valve housing comprising the new, original and ornamental design;

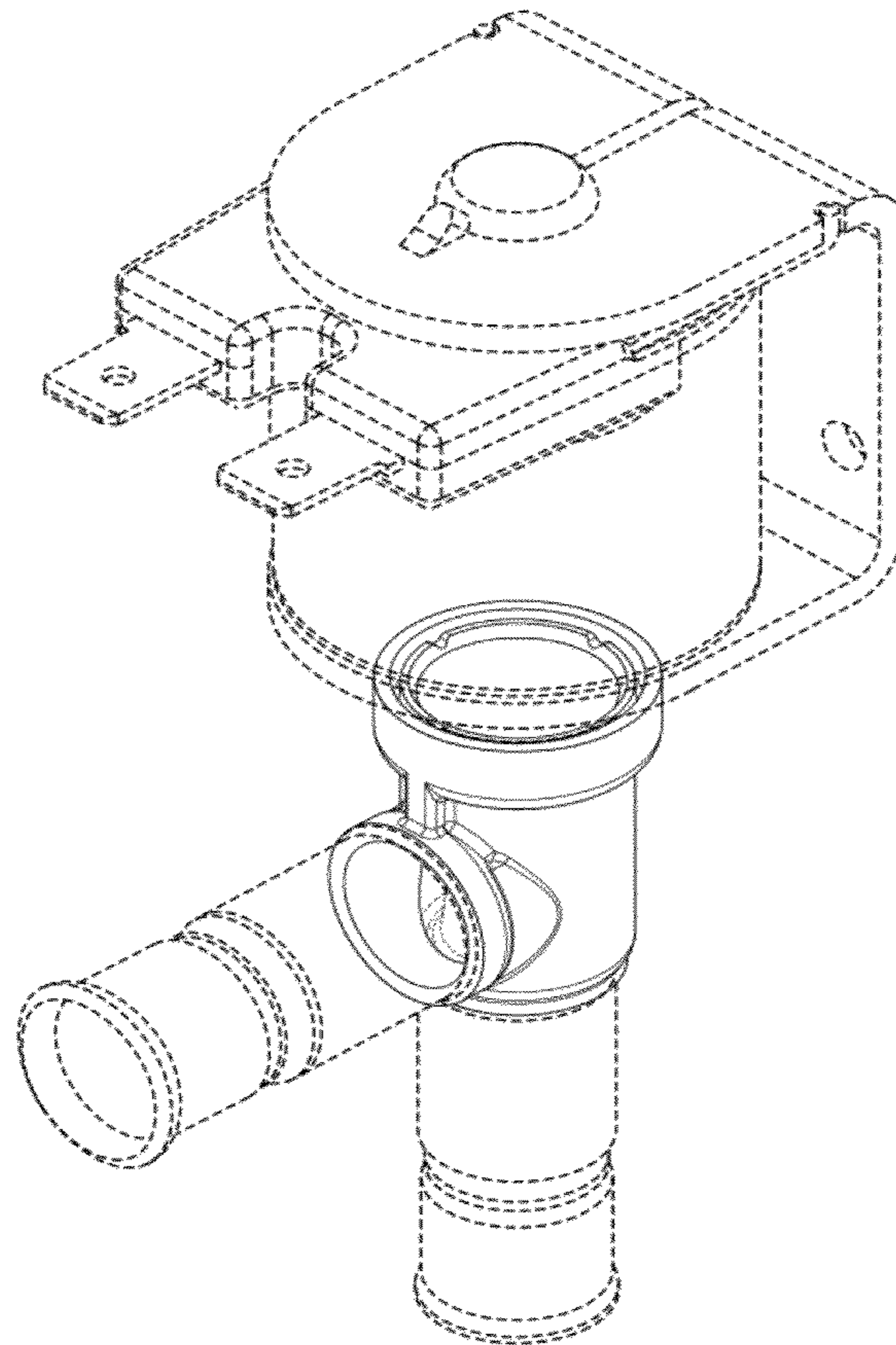
FIG. 5 is a left-hand side view of a magnet valve housing comprising the new, original and ornamental design;

FIG. 6 is a top view of a magnet valve housing comprising the new, original and ornamental design; and,

FIG. 7 is a bottom view of a magnet valve housing comprising the new, original and ornamental design.

The broken lines shown in the drawings illustrate unclaimed portions of the article and form no part of the claimed design.

1 Claim, 5 Drawing Sheets



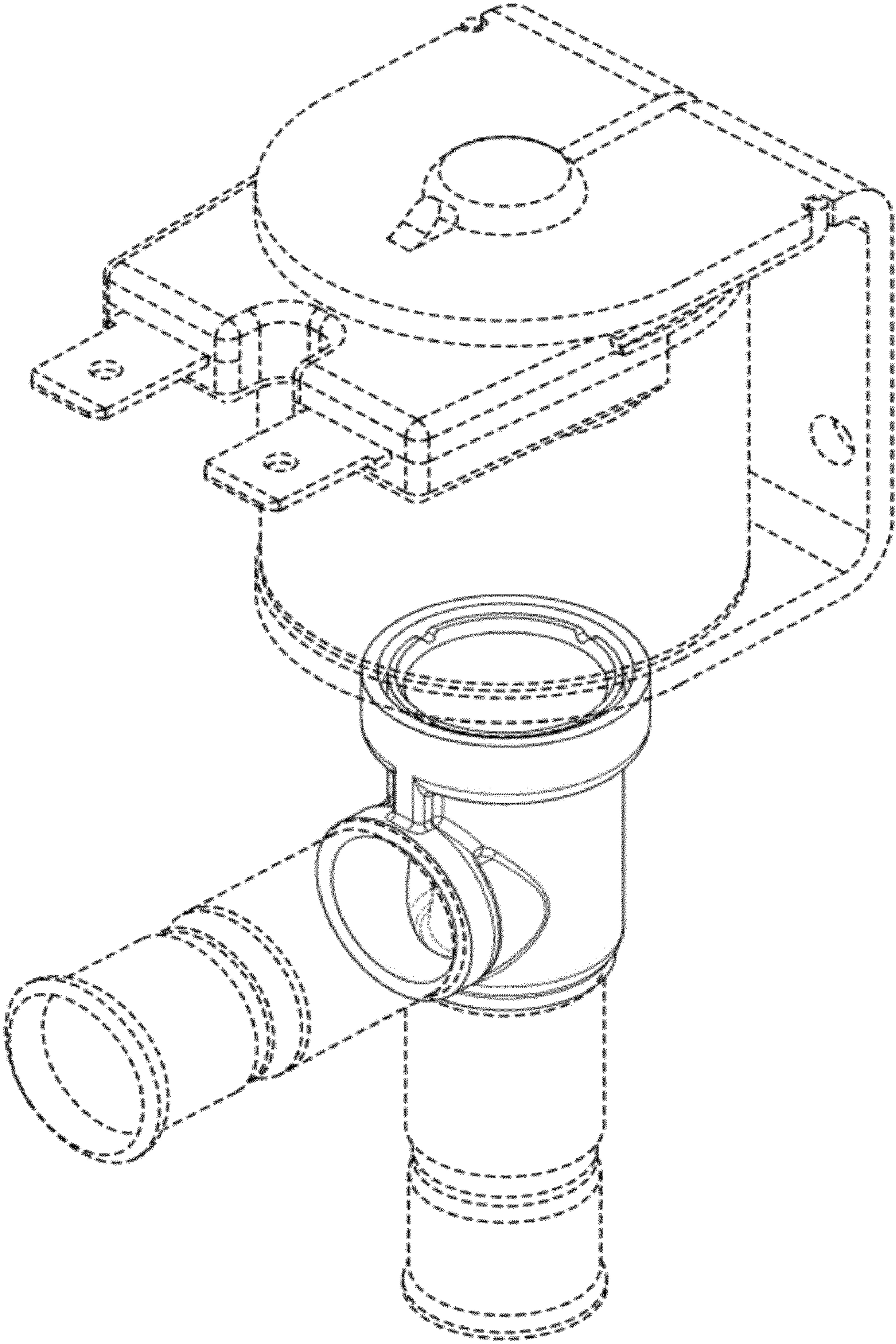


FIG. 1

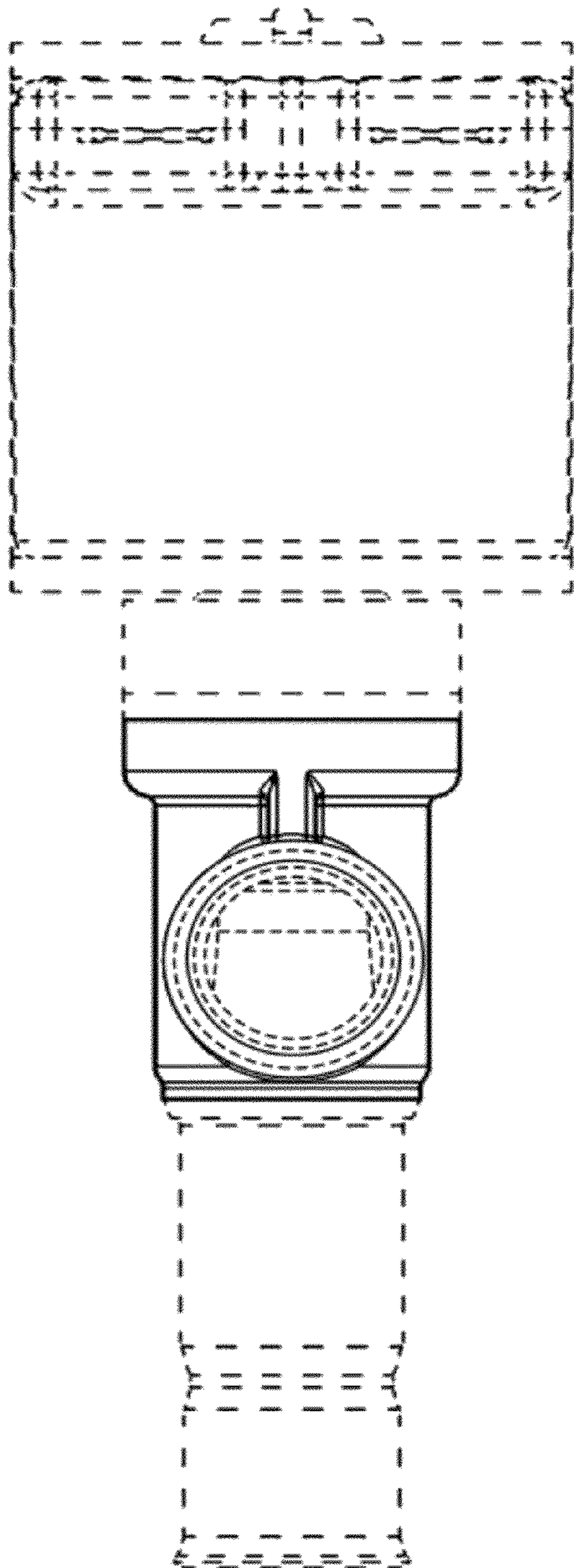


FIG. 2

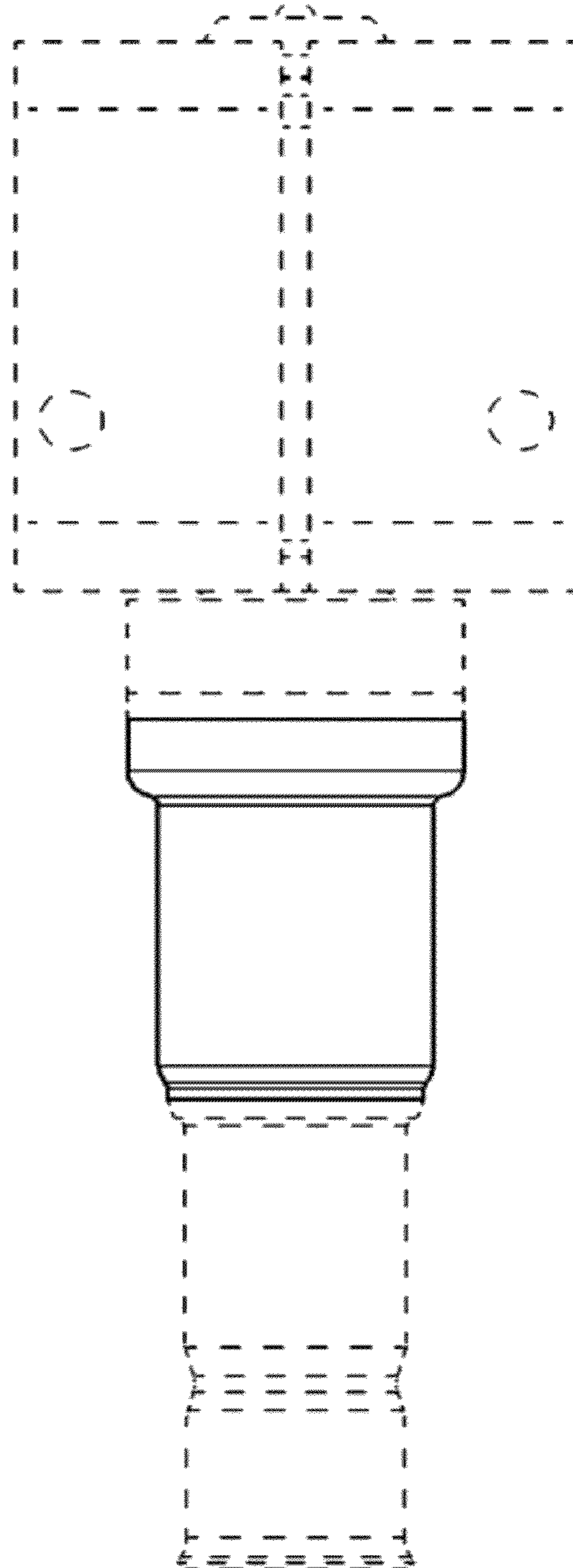


FIG. 3

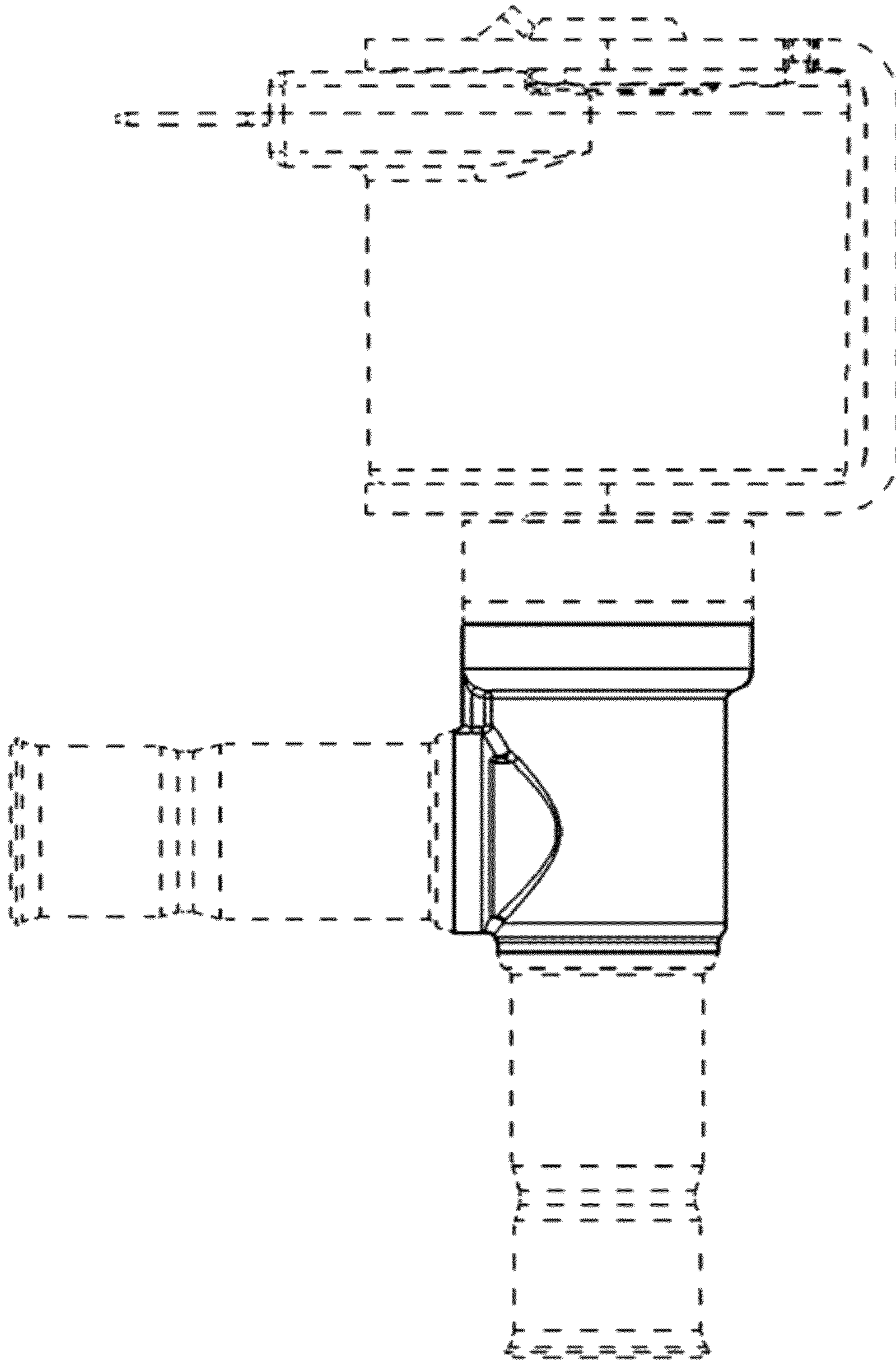


FIG. 4

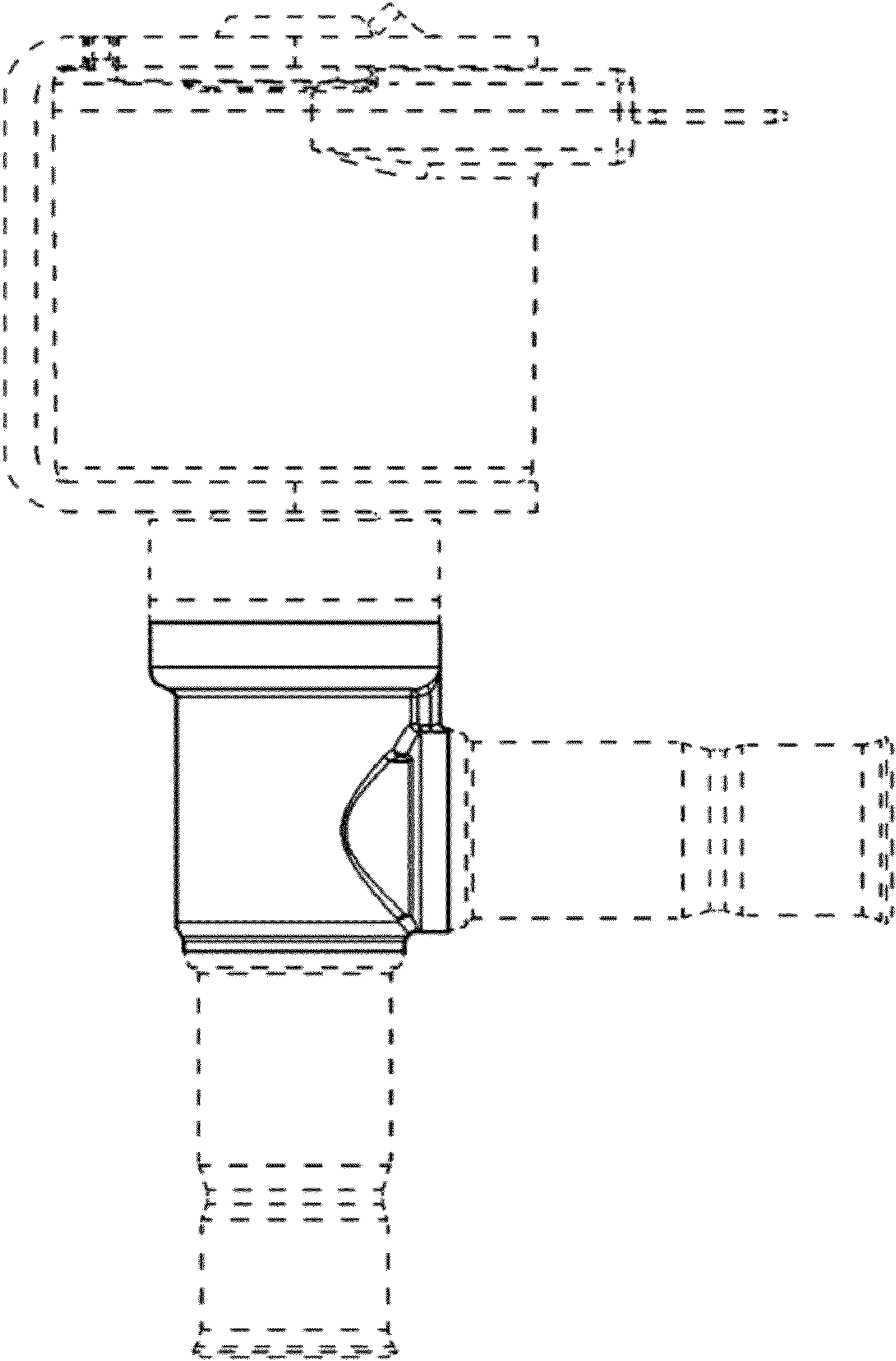


FIG. 5

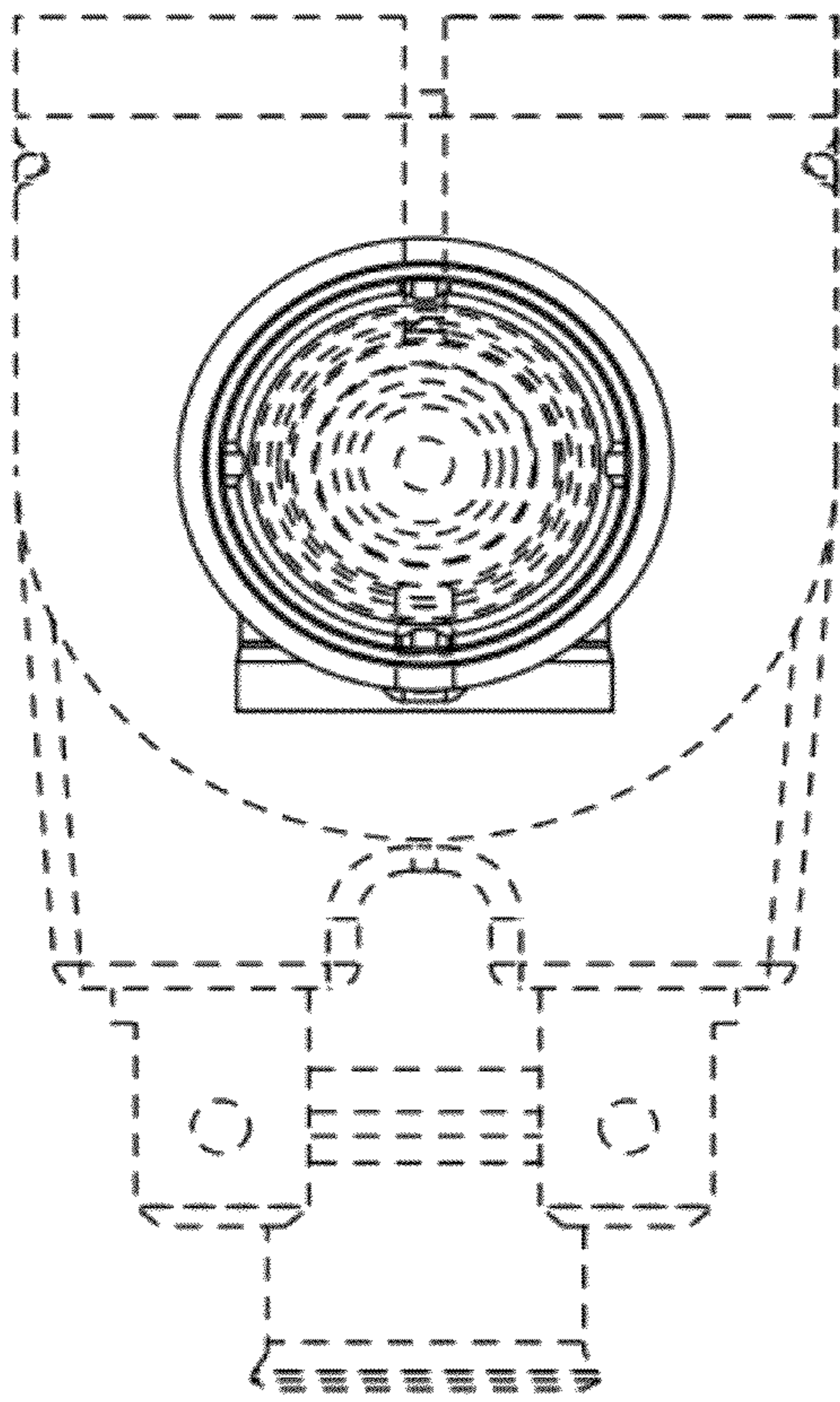


FIG. 6

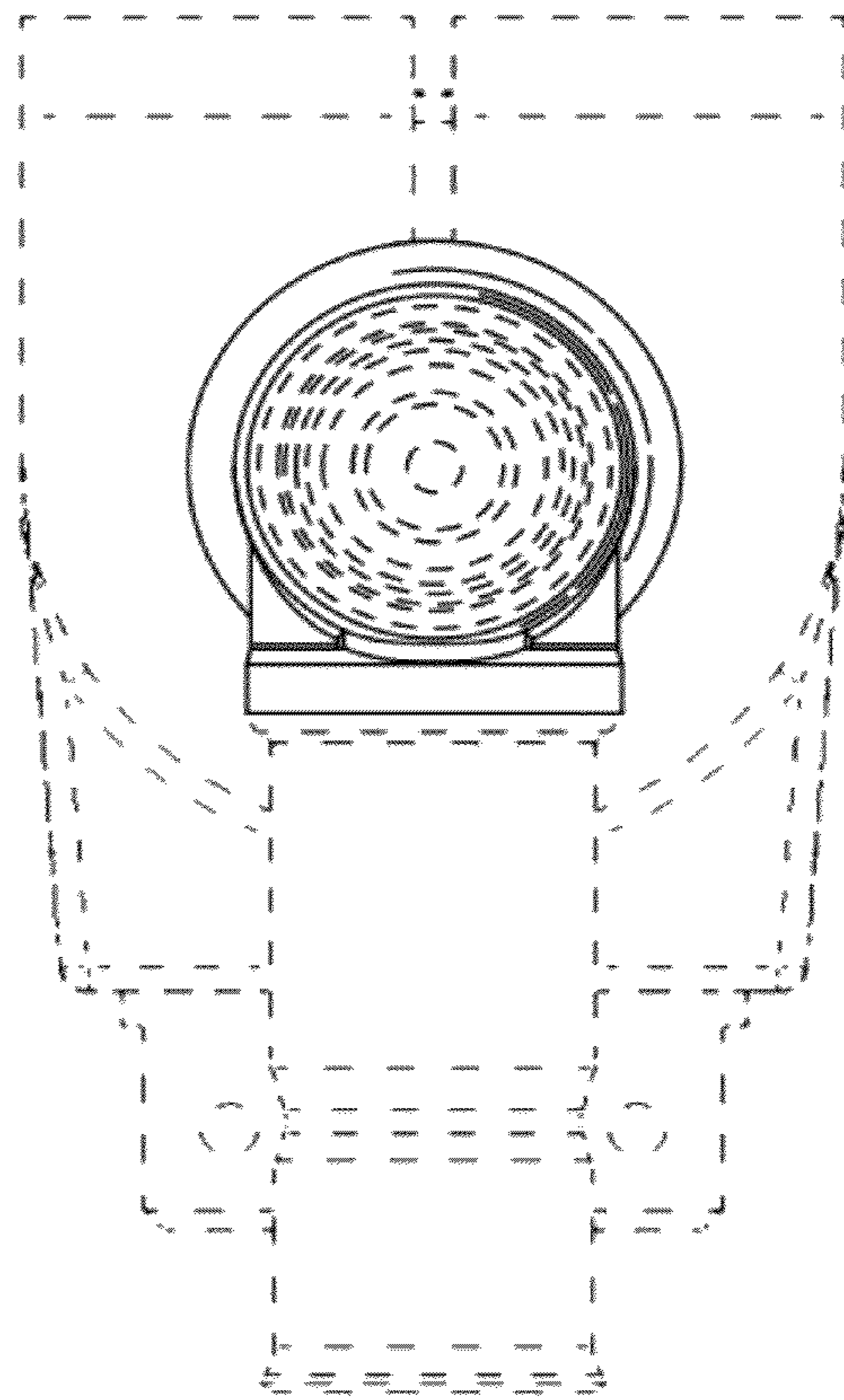


FIG. 7