



US00D678468S

(12) **United States Design Patent**
Hanna

(10) **Patent No.:** **US D678,468 S**
(45) **Date of Patent:** **** Mar. 19, 2013**

(54) **SHOWER AND SPEAKER ASSEMBLY**

(75) Inventor: **Kenneth Scott Hanna**, Kohler, WI (US)

(73) Assignee: **Kohler Co.**, Kohler, WI (US)

(**) Term: **14 Years**

(21) Appl. No.: **29/418,868**

(22) Filed: **Apr. 23, 2012**

(51) **LOC (9) Cl.** **23-01**

(52) **U.S. Cl.** **D23/229; D23/228; D14/207**

(58) **Field of Classification Search** **D23/213,**
D23/223, 226, 229, 230, 228; 4/615, 661;
239/282, 283, 462, 451; D14/207

See application file for complete search history.

(56) **References Cited**

U.S. PATENT DOCUMENTS

1,947,407	A *	2/1934	Cornell, Jr.	239/451
2,281,499	A *	4/1942	Herzbrun et al.	239/107
4,121,741	A	10/1978	Adamson	
4,468,321	A	8/1984	St. John	
4,964,181	A	10/1990	Alpert	
5,140,254	A	8/1992	Katzman	
5,329,650	A	7/1994	Zaccai et al.	
5,647,007	A	7/1997	Wooderson et al.	
5,664,015	A	9/1997	Ford et al.	
6,061,457	A	5/2000	Stockhamer	
6,823,536	B2	11/2004	Yip	

(Continued)

Primary Examiner — Robin V Webster

(74) *Attorney, Agent, or Firm* — Michael Best & Friedrich LLP

(57) **CLAIM**

I claim the ornamental design for a shower and speaker assembly, as shown and described.

DESCRIPTION

FIG. 1 is a front perspective view of a shower and speaker assembly.

FIG. 2 is a rear perspective view of the assembly shown in FIG. 1.

FIG. 3 is a front view of the assembly shown in FIG. 1.

FIG. 4 is a rear view of the assembly shown in FIG. 1.

FIG. 5 is a side view of the assembly shown in FIG. 1.

FIG. 6 is a top view of the assembly shown in FIG. 1.

FIG. 7 is a bottom view of the assembly shown in FIG. 1.

FIG. 8 is a front perspective view of the shower shown in FIG. 1, illustrated as a shower head.

FIG. 9 is a rear perspective view of the shower shown in FIG. 8.

FIG. 10 is a front view of the shower shown in FIG. 8.

FIG. 11 is a rear view of the shower shown in FIG. 8.

FIG. 12 is a side view of the shower shown in FIG. 8.

FIG. 13 is a top view of the shower shown in FIG. 8.

FIG. 14 is a front perspective view of the speaker shown in FIG. 1.

FIG. 15 is a rear perspective view of the speaker shown in FIG. 14.

FIG. 16 is a front view of the speaker shown in FIG. 14.

FIG. 17 is a rear view of the speaker shown in FIG. 14.

FIG. 18 is a side view of the speaker shown in FIG. 14.

FIG. 19 is a top view of the speaker shown in FIG. 14; and,

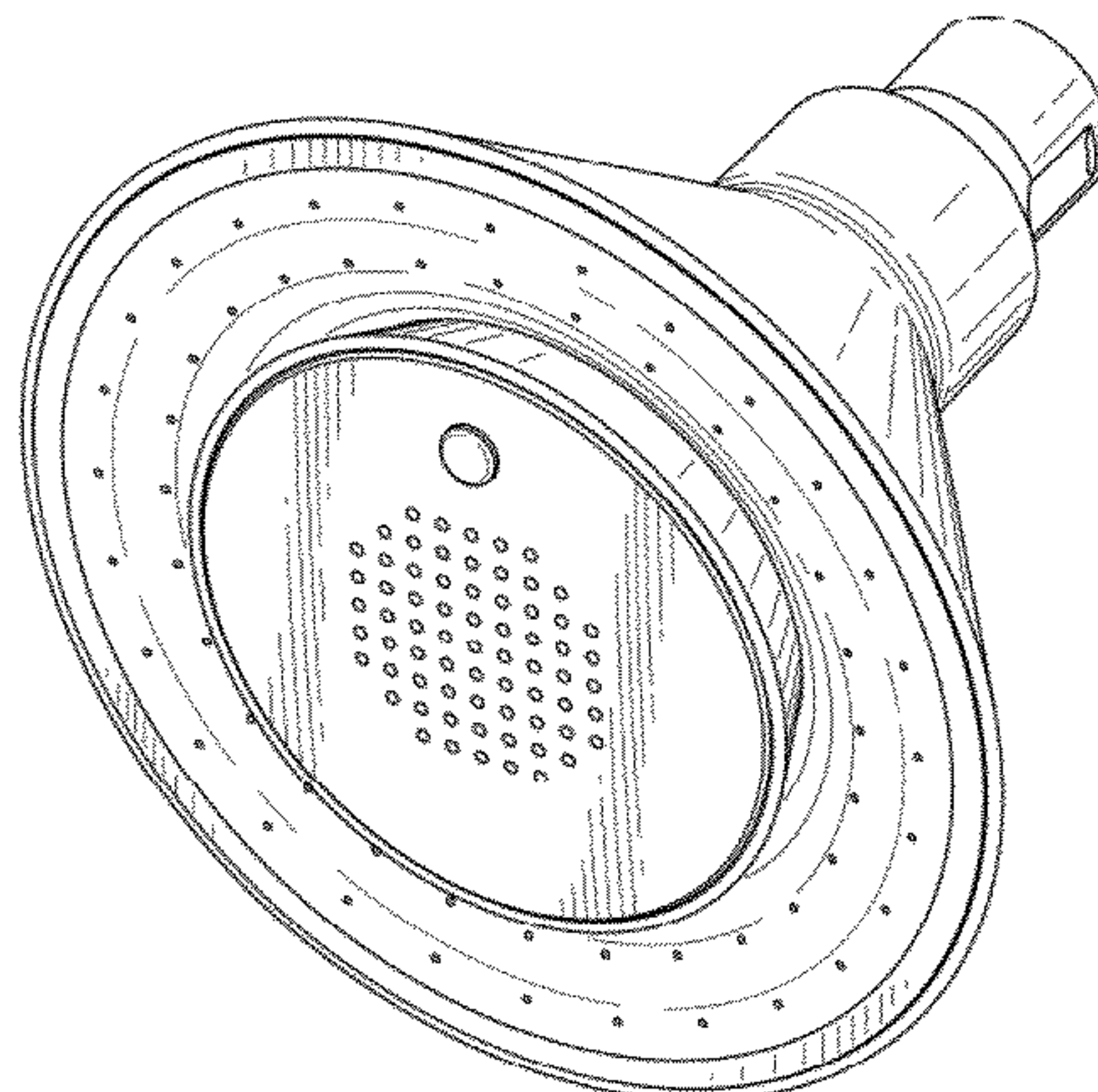
FIG. 20 is a bottom view of the speaker shown in FIG. 14.

The other side view is substantially the same as the illustrated side view and, therefore, has been omitted. The bottom view of the shower is substantially the same as the illustrated top view shown in FIG. 13 and, therefore, has been omitted.

Identification of views as “side”, “top” or “bottom” is for the purpose of description of the drawings and should not be regarded as limiting. The relative orientation of the illustrated components may be adjusted to change what appears in each of these views (e.g., pivoting the speaker 90° in one direction changes the “side” view to the “top” view or, in the other direction, to the “bottom” view.

Any broken line showing of the environment is for illustrative purposes only and forms no part of the claimed design.

1 Claim, 14 Drawing Sheets



US D678,468 S

Page 2

U.S. PATENT DOCUMENTS

6,879,818	B2	4/2005	Wageneck					
D526,308	S *	8/2006	Kasden	D14/207				
D530,308	S *	10/2006	Topping	D14/207				
7,269,862	B2	9/2007	Rooke et al.					
7,412,206	B1	8/2008	Hutchings et al.					
7,611,073	B2	11/2009	Crutcher					
7,753,079	B2	7/2010	Nelson					
7,761,937	B2	7/2010	Foutz et al.					
7,909,061	B2	3/2011	Nelson					
					2003/0211838	A1	11/2003	Wageneck
					2006/0283511	A1	12/2006	Nelson
					2009/0007330	A1	1/2009	Genord et al.
					2010/0043135	A1	2/2010	Patterson et al.
					2010/0170588	A1	7/2010	Nelson
					2010/0237166	A1	9/2010	Nelson
					2011/0031331	A1	2/2011	Klicpera
					2011/0067815	A1	3/2011	Iizuka et al.
					2012/0042973	A1	2/2012	Ko

* cited by examiner

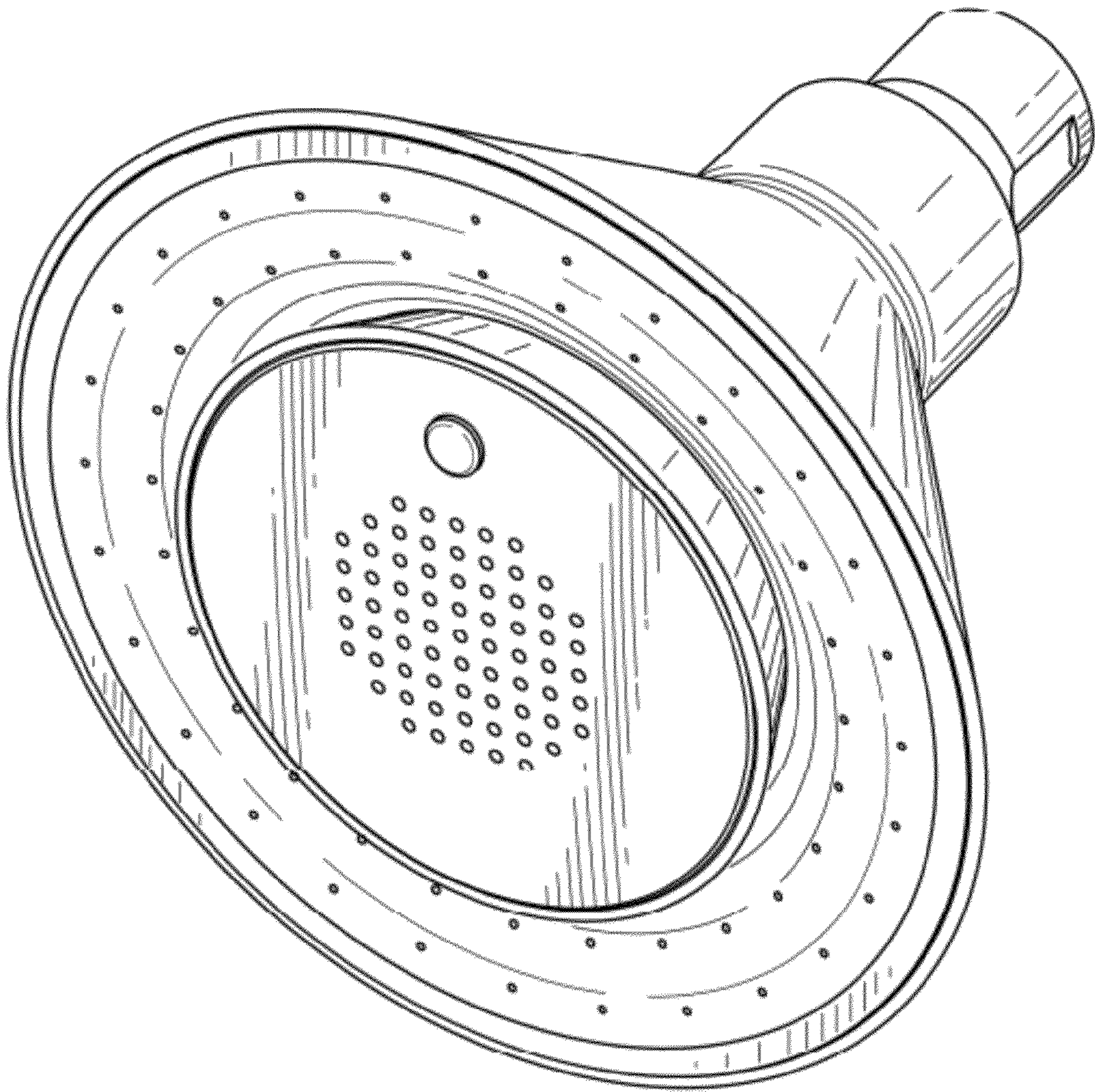


FIG. 1

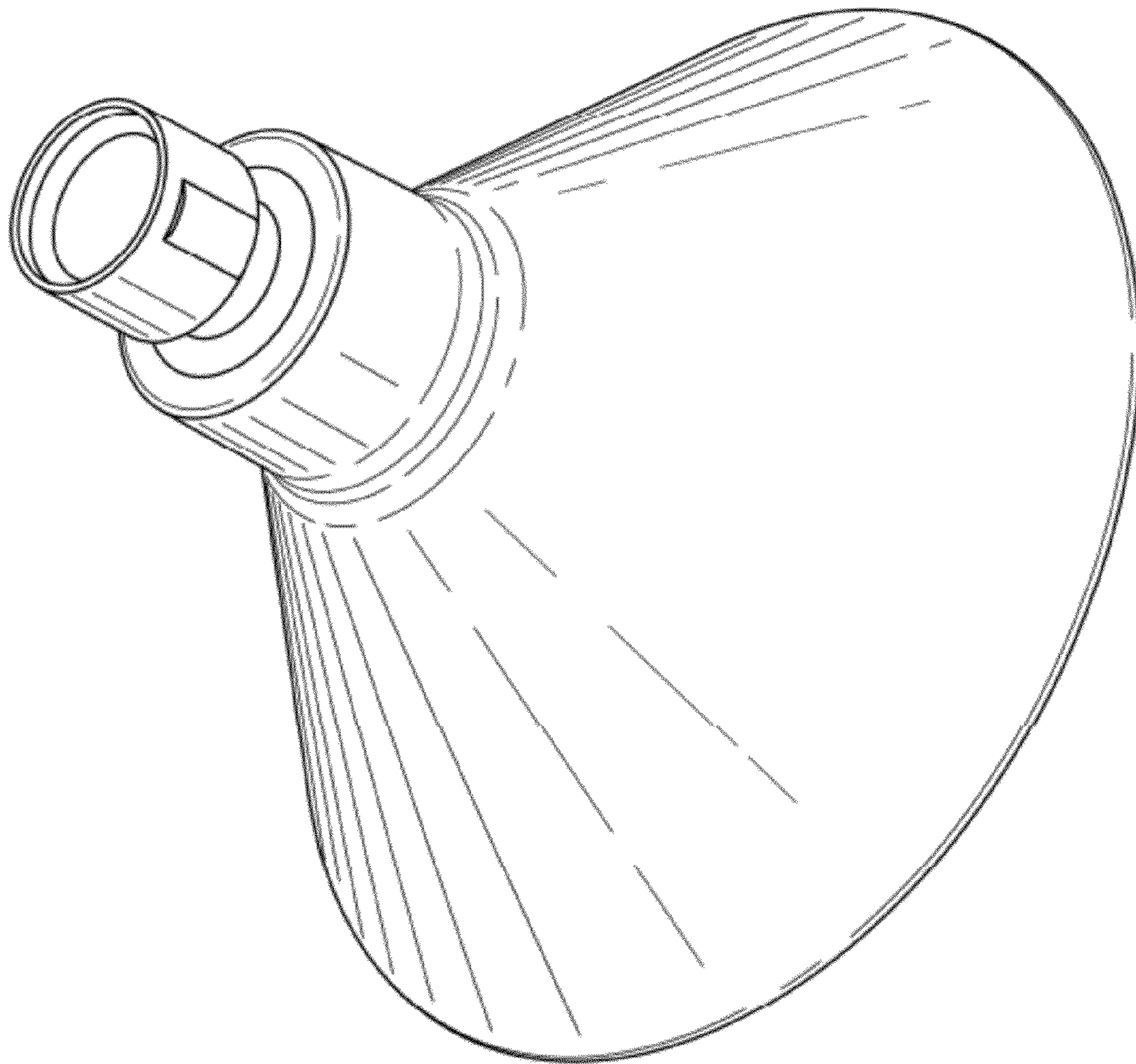


FIG. 2

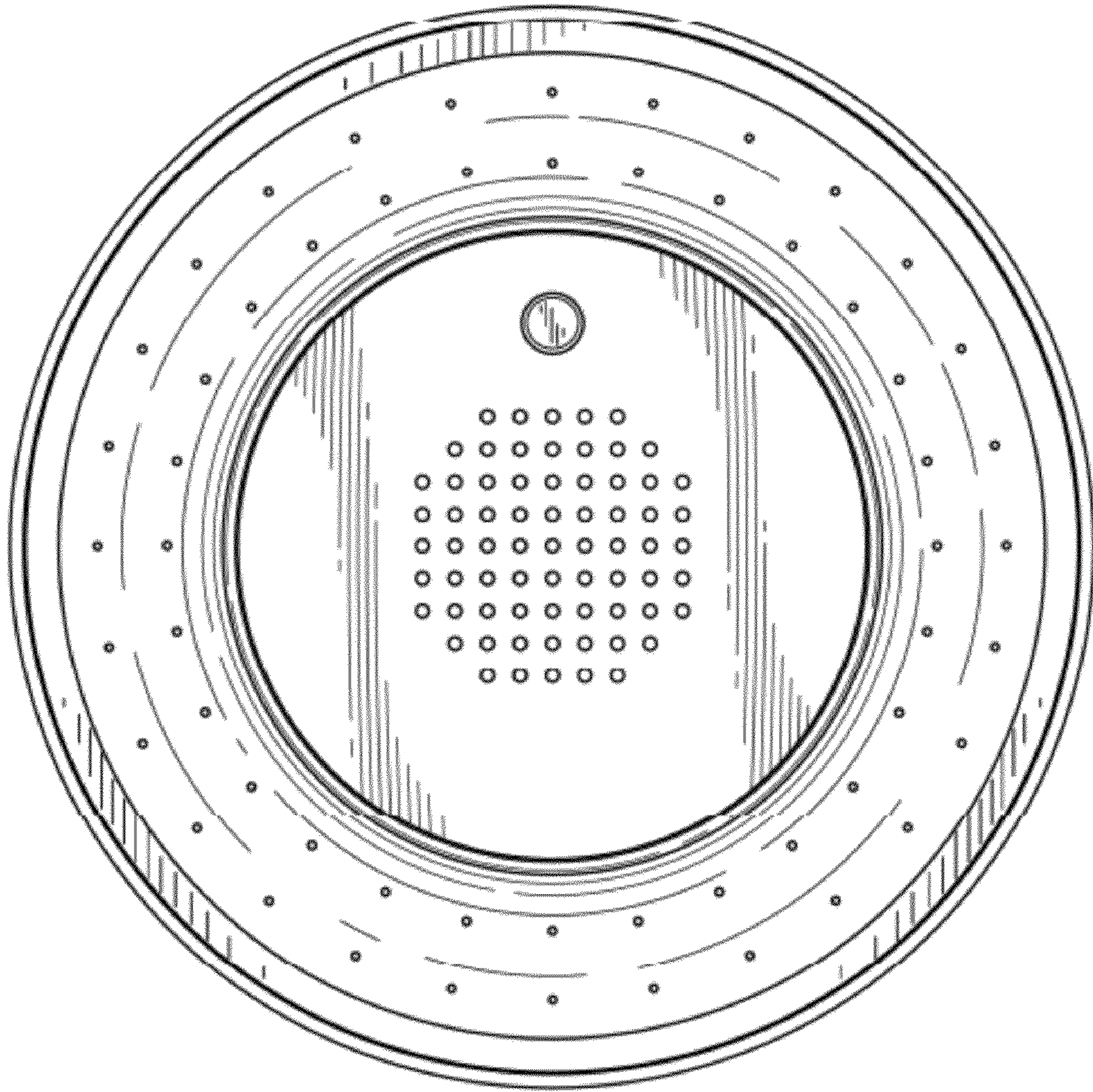


FIG. 3

FIG. 4

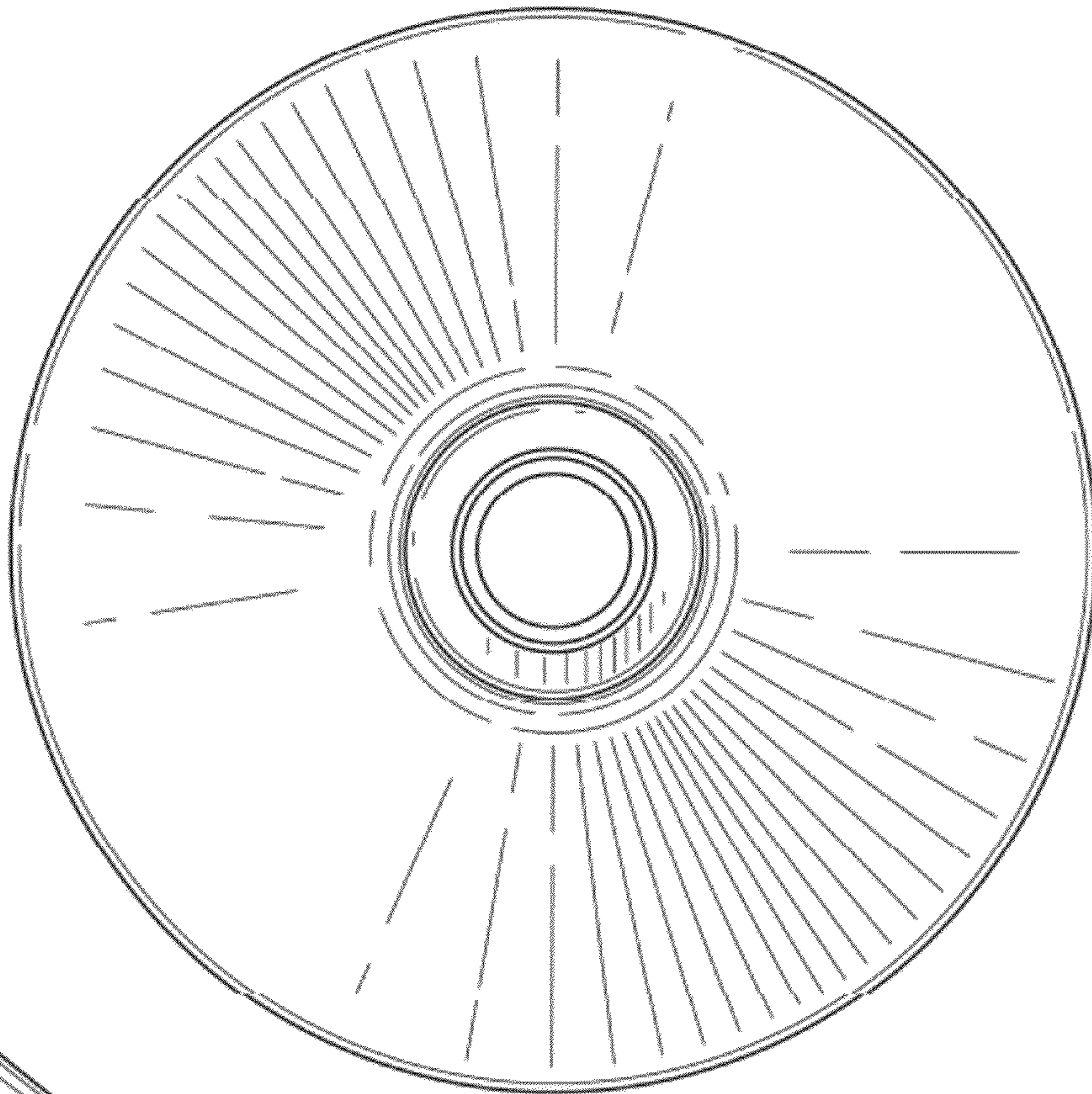
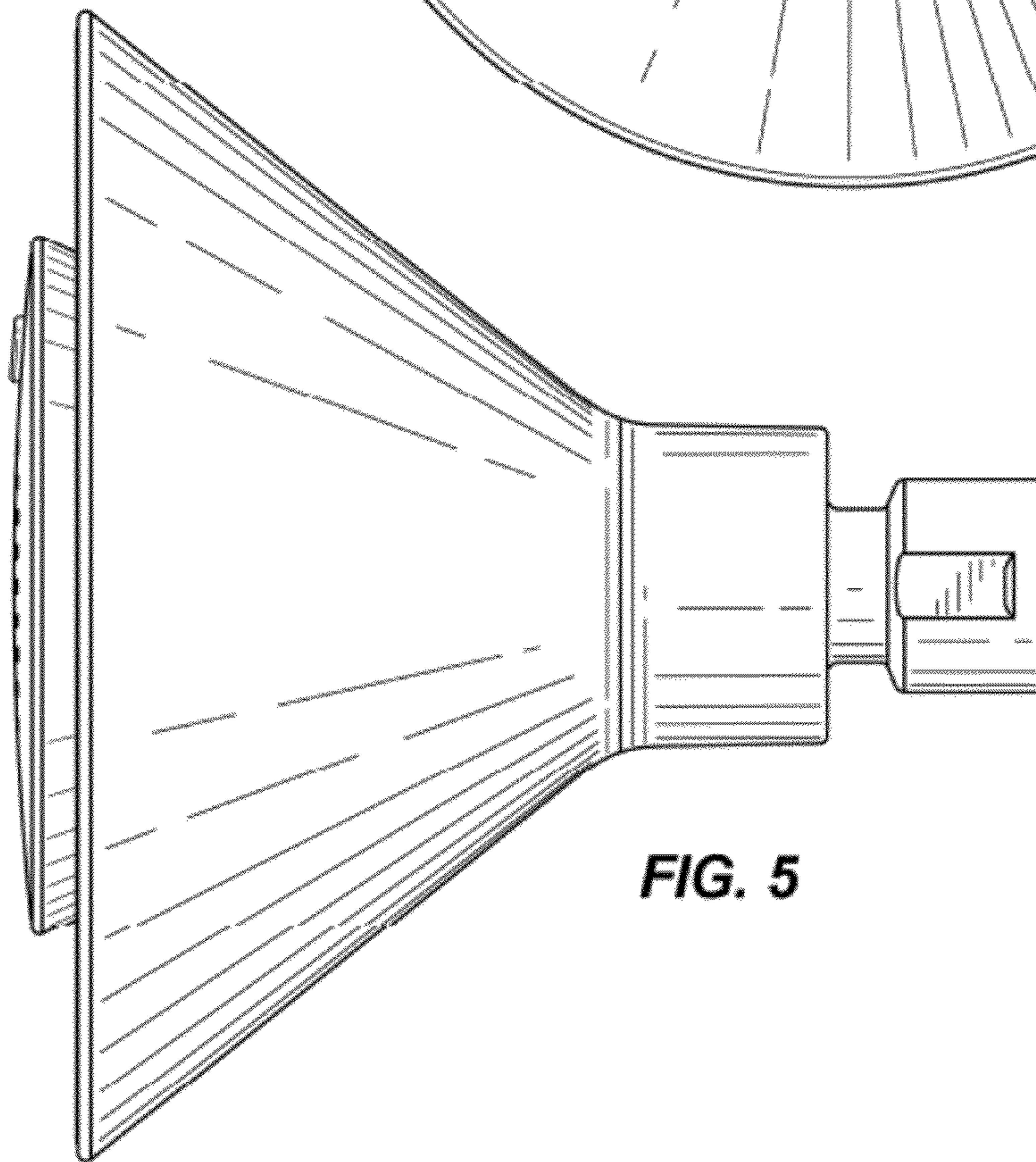


FIG. 5



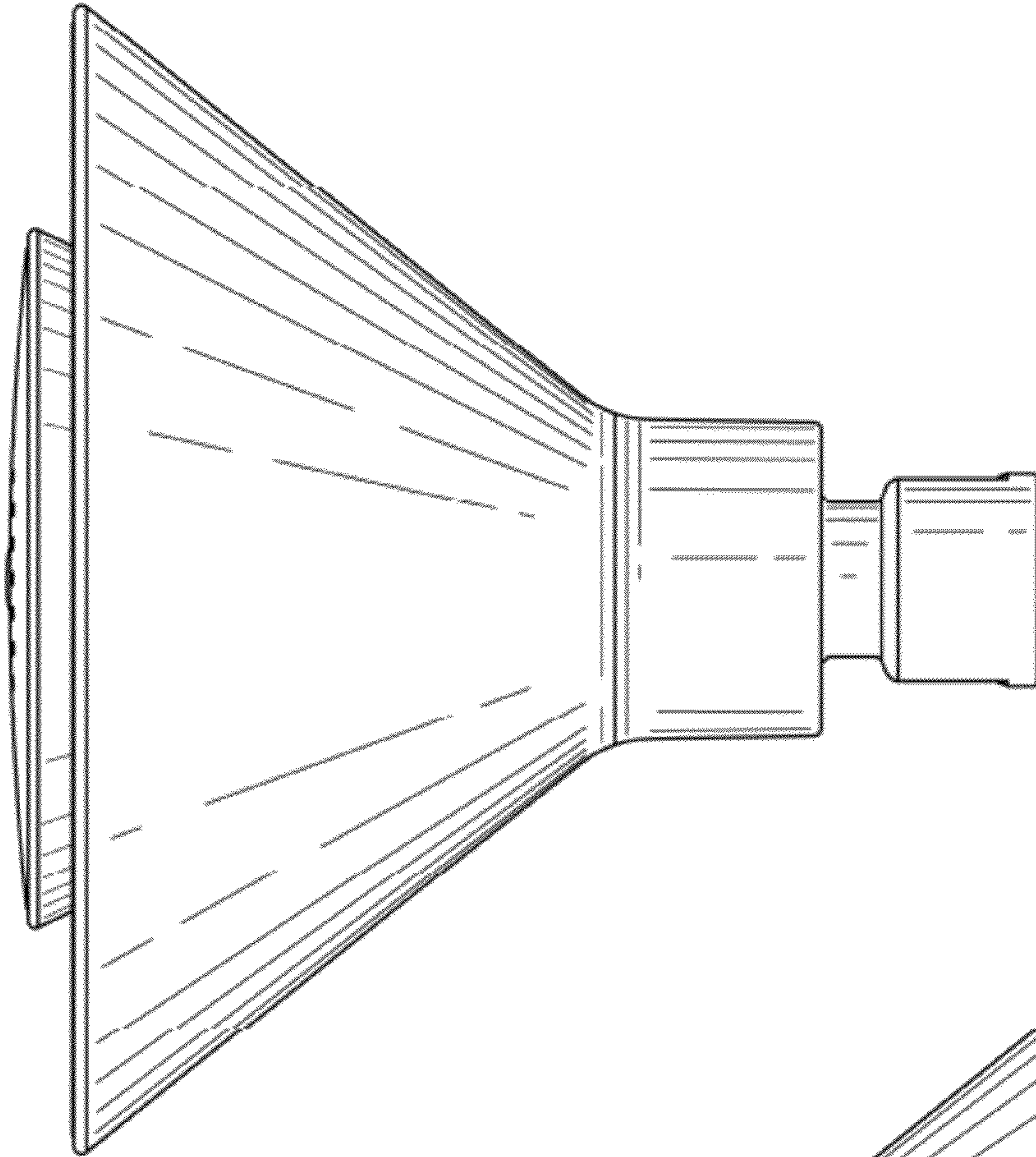


FIG. 7

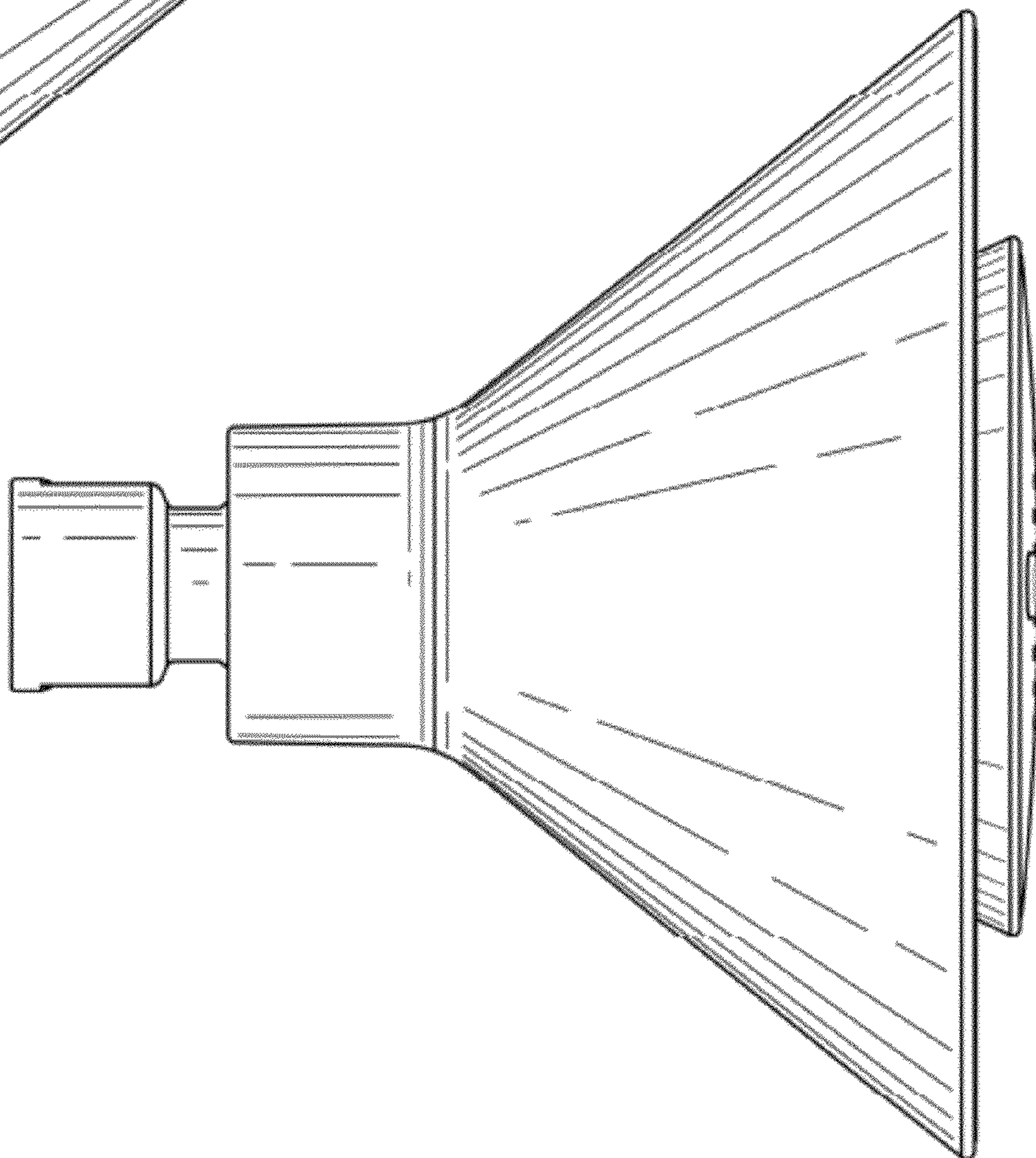


FIG. 6

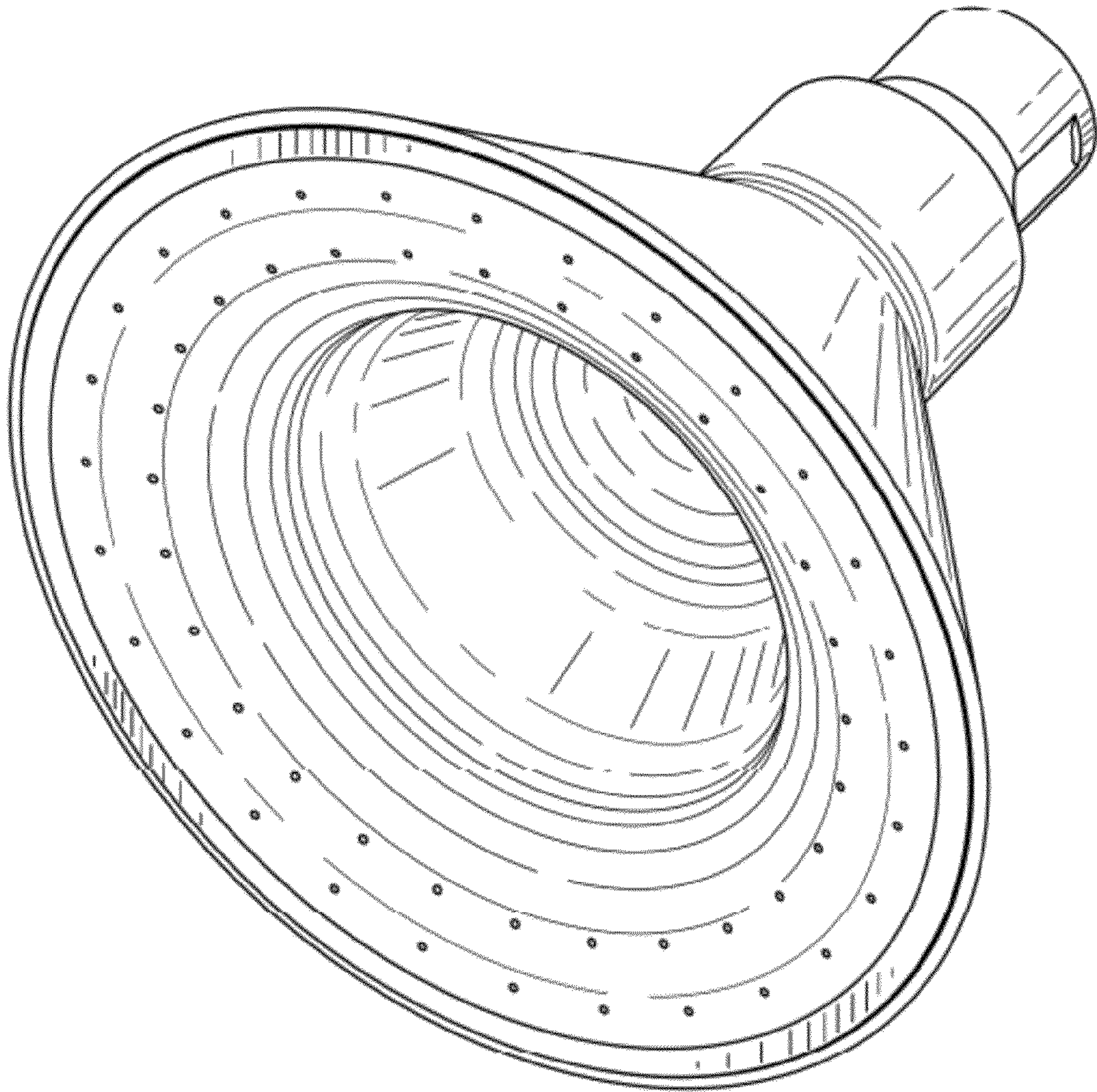


FIG. 8

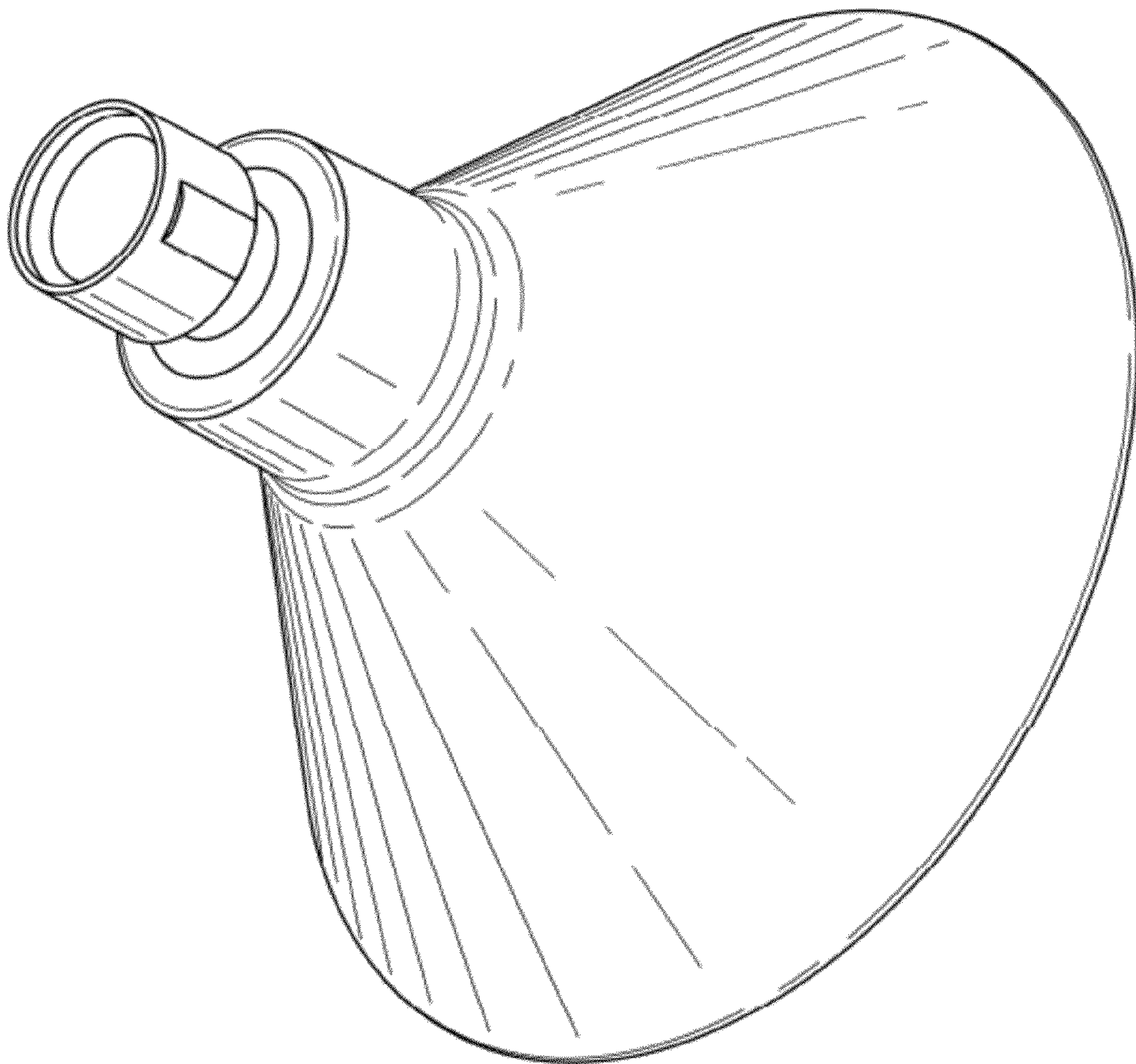


FIG. 9

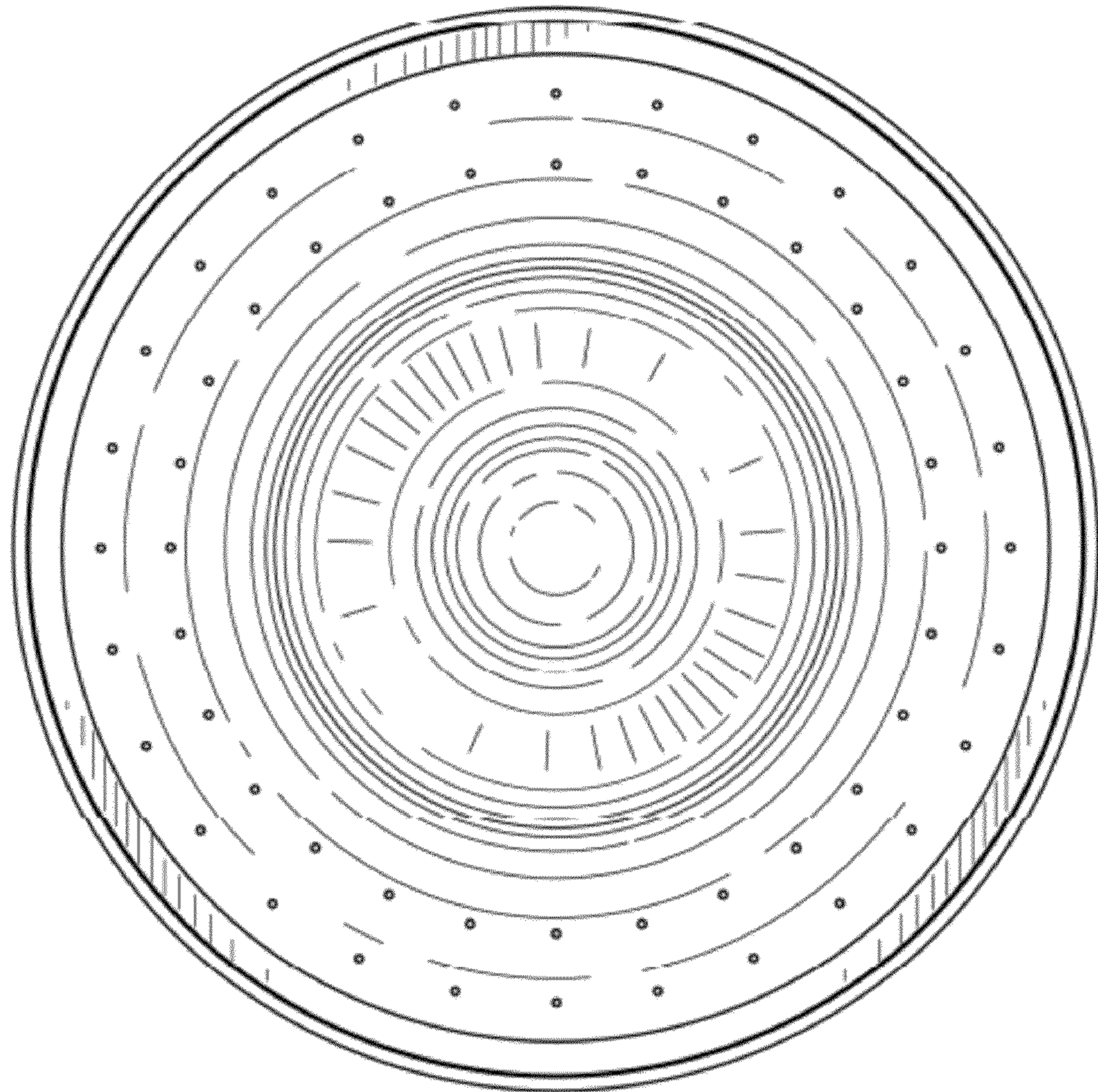


FIG. 10

FIG. 11

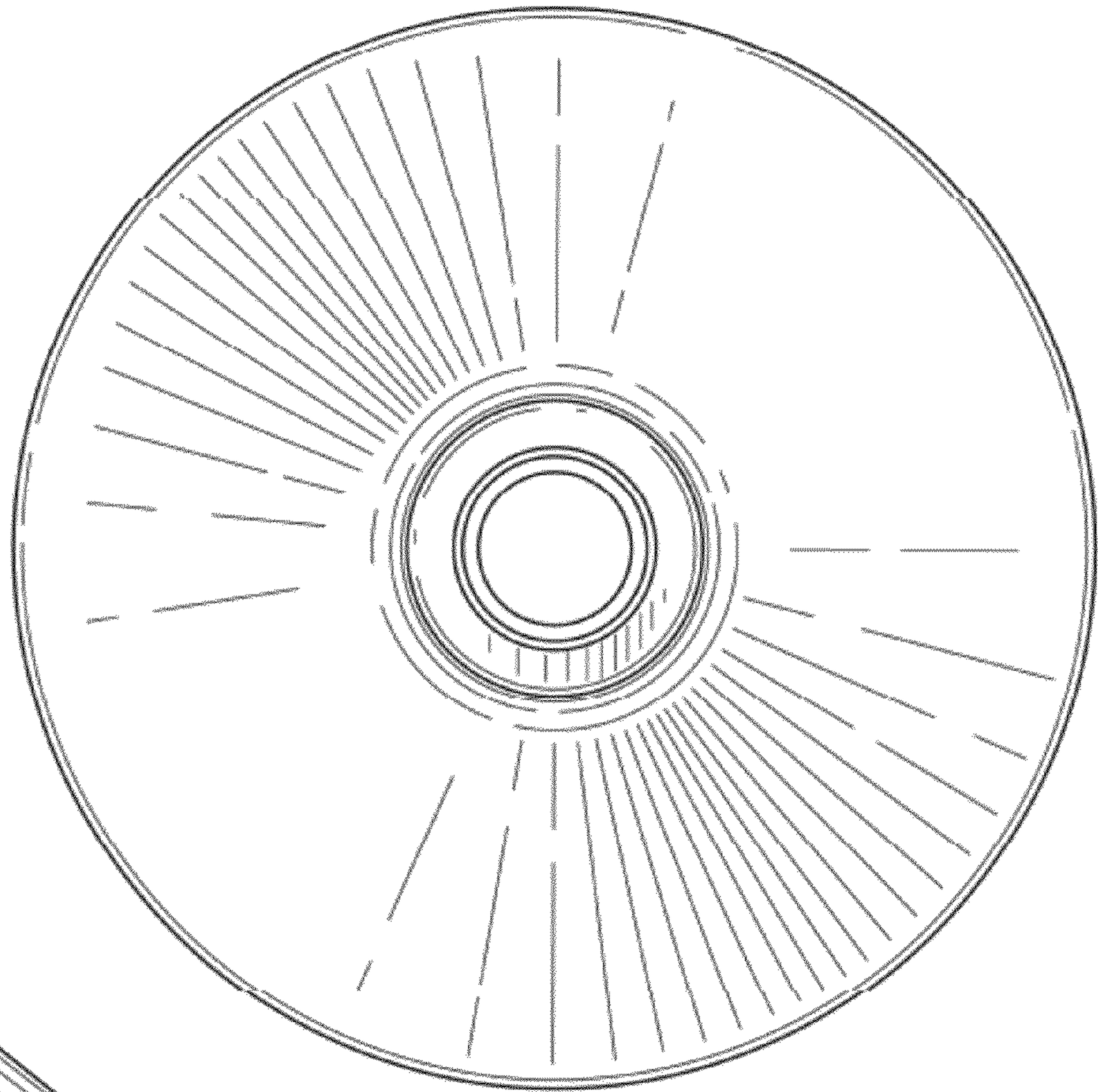
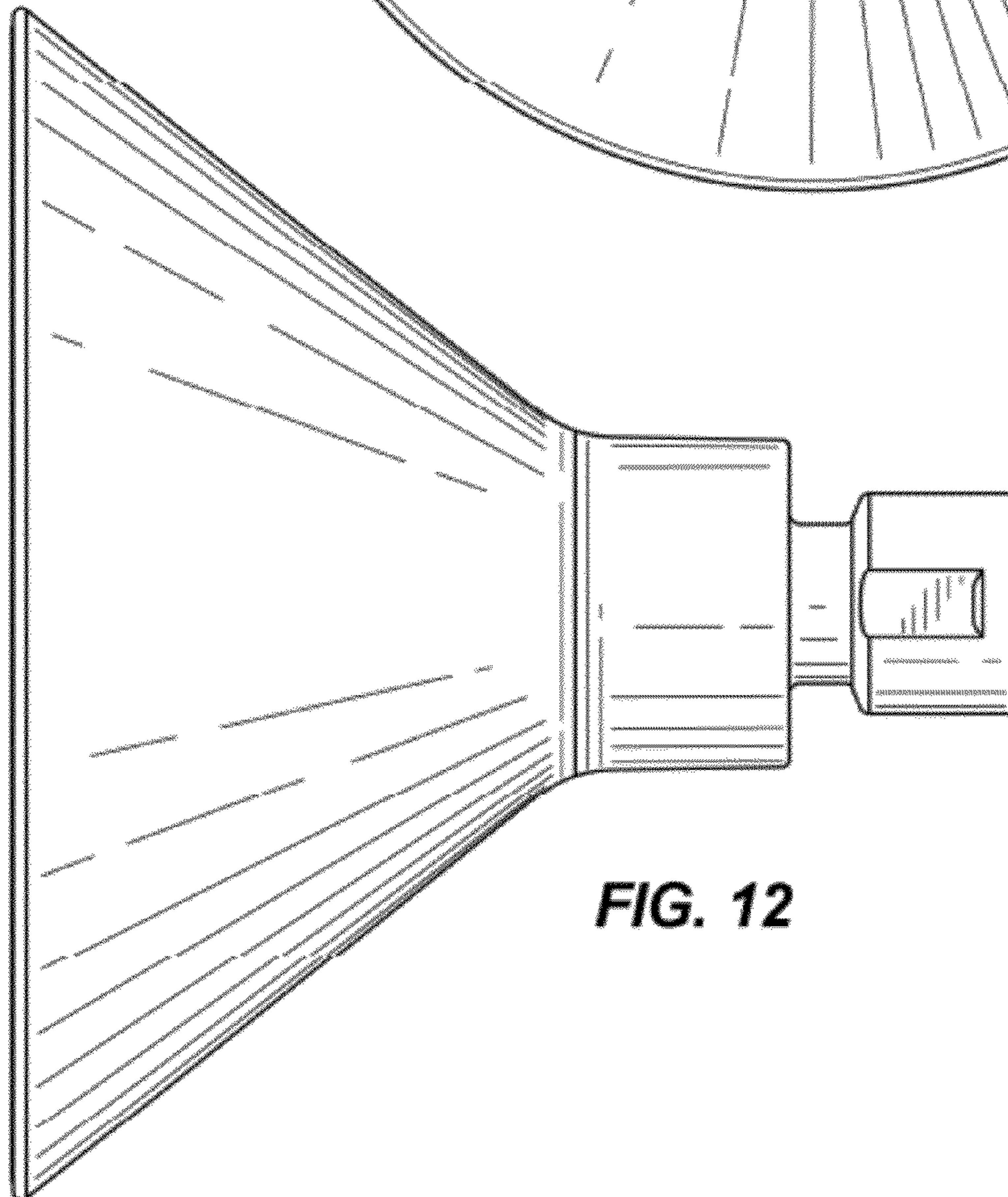


FIG. 12



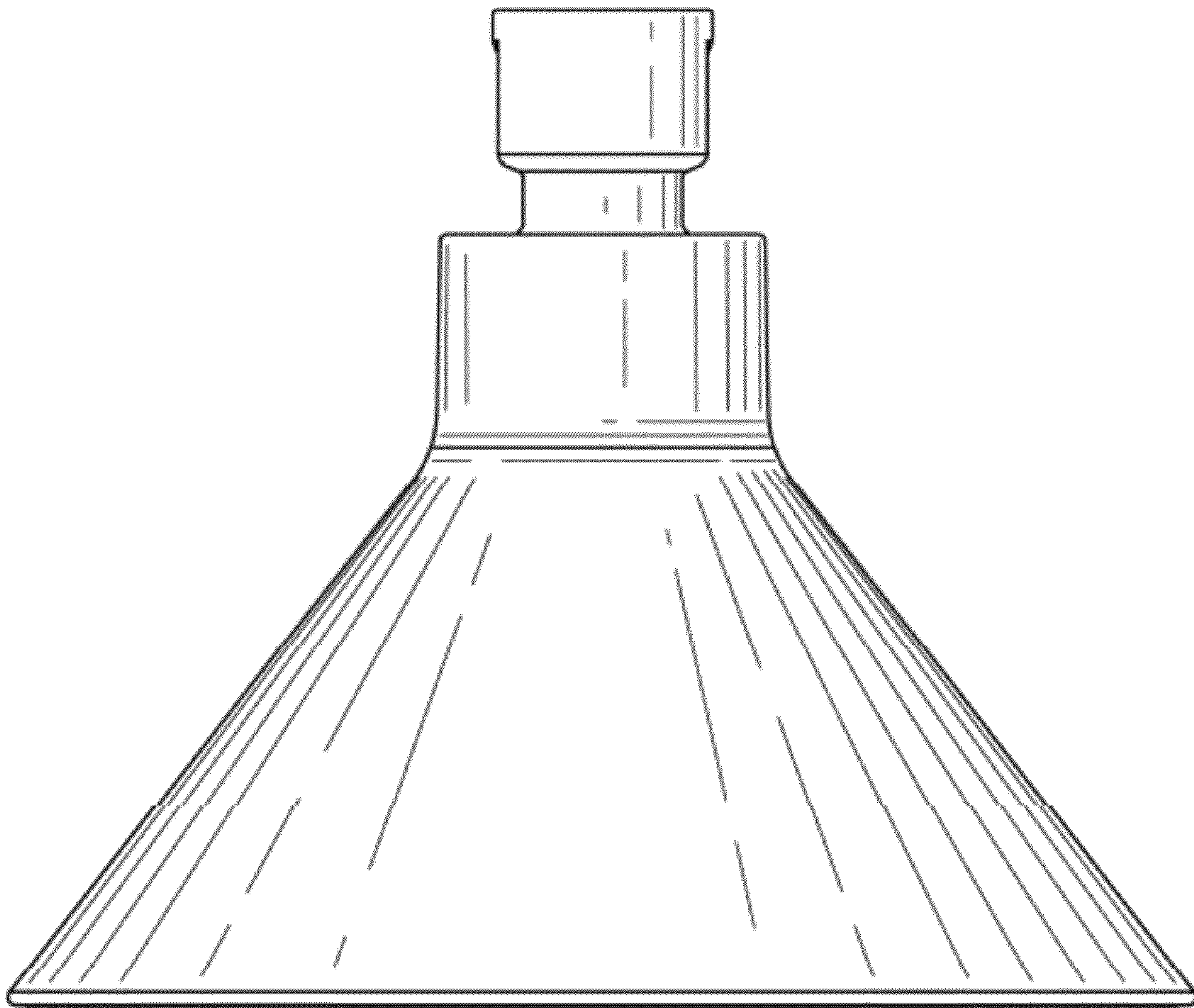


FIG. 13

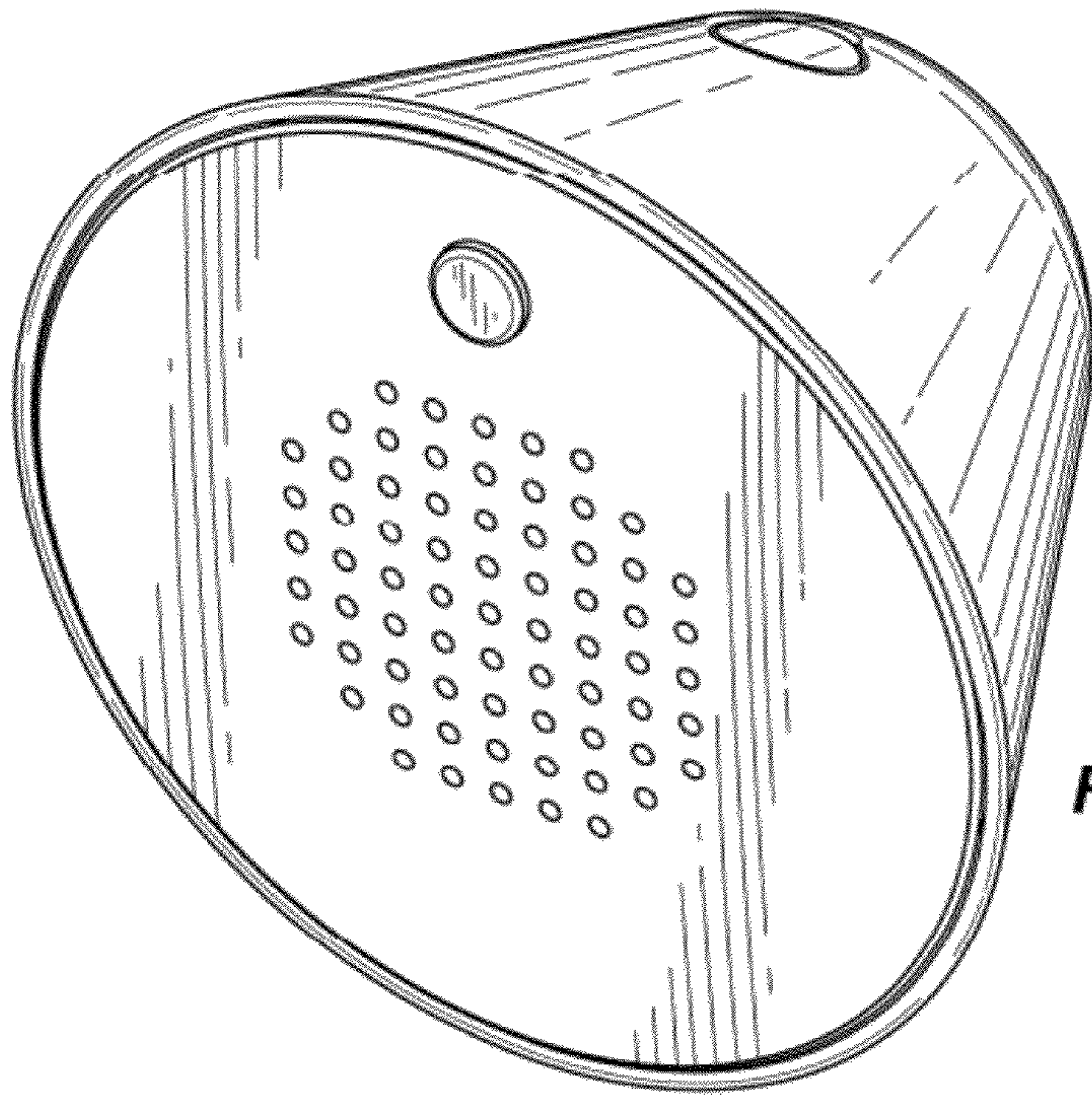


FIG. 14

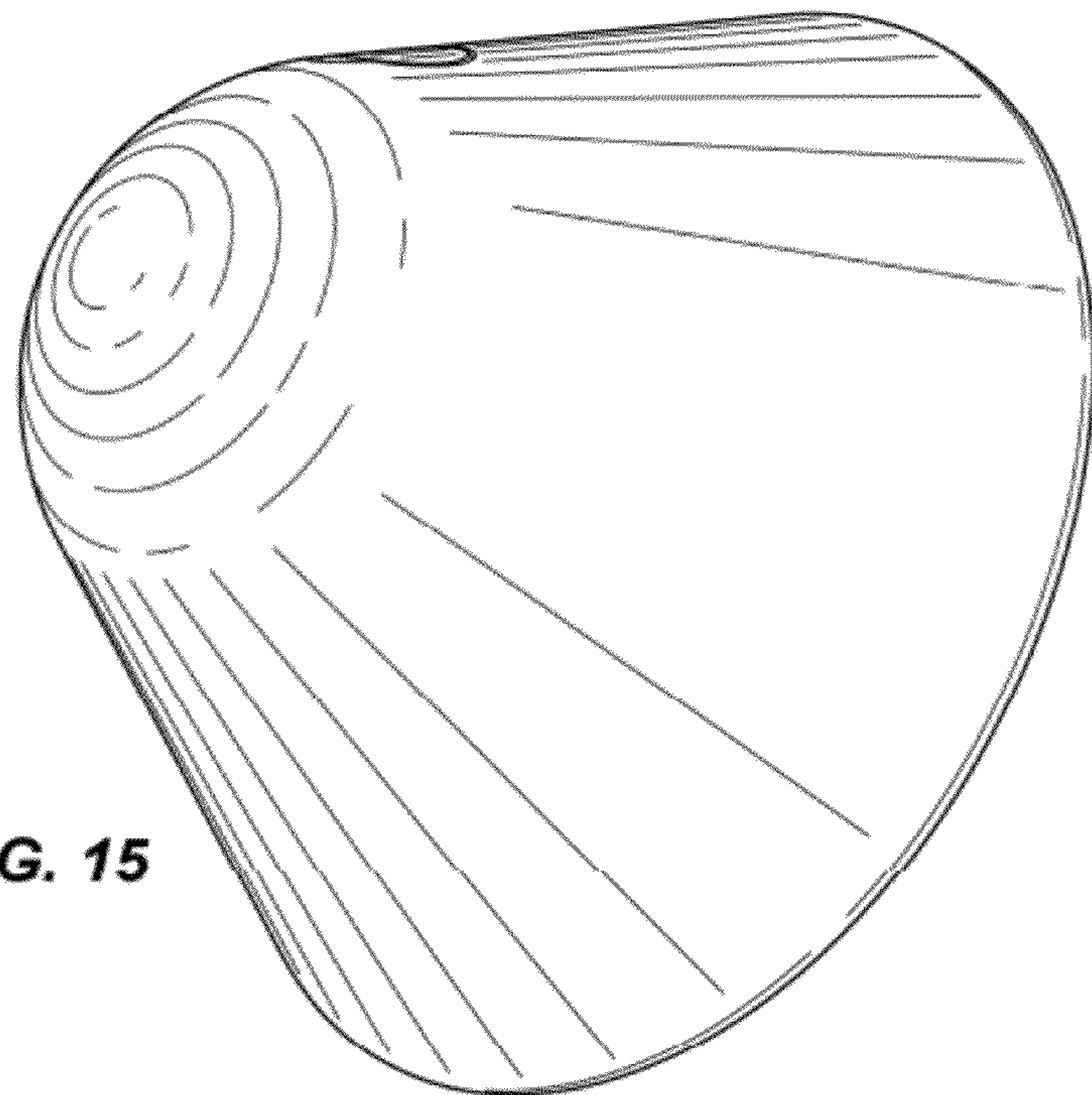


FIG. 15

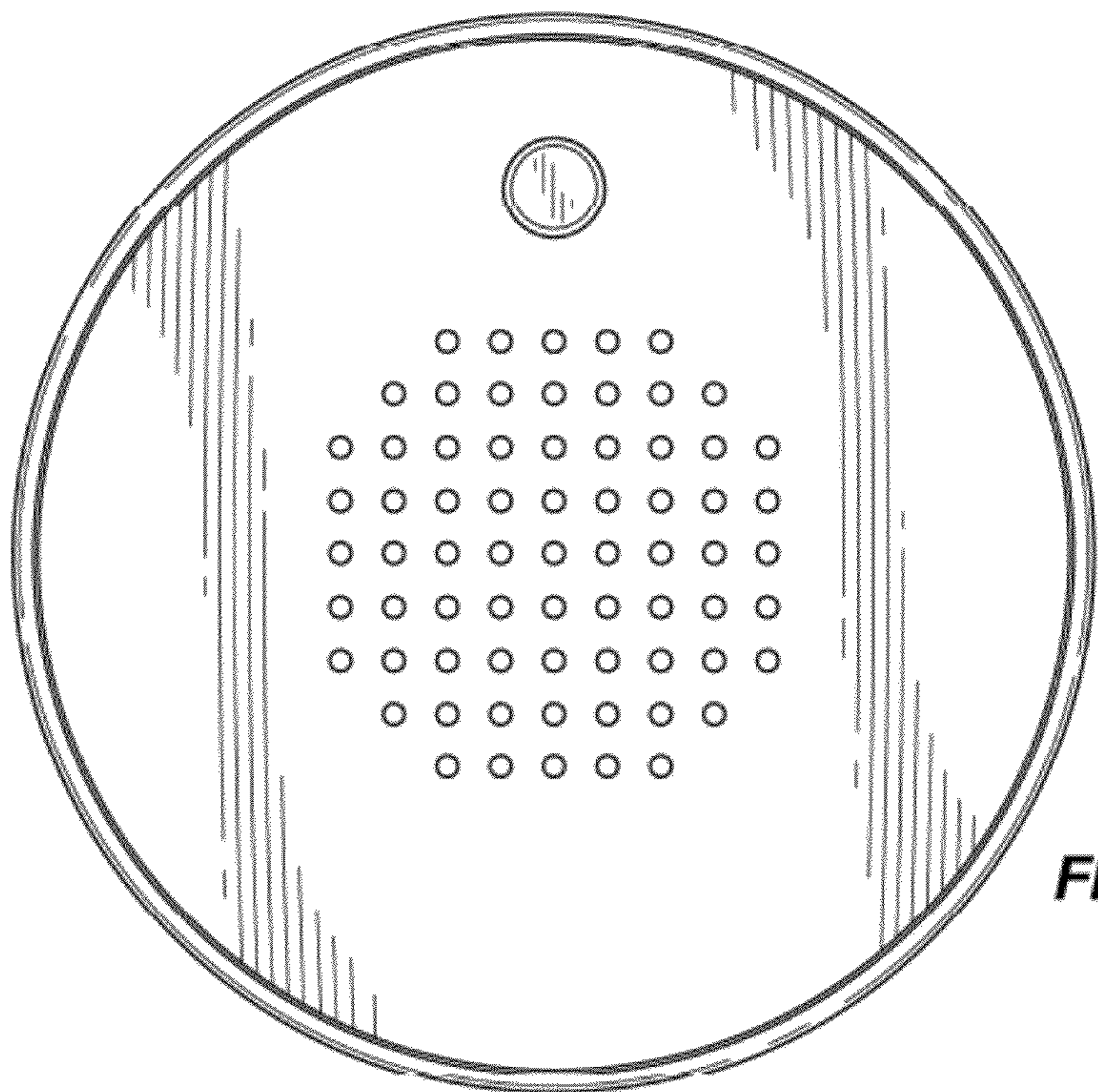


FIG. 16

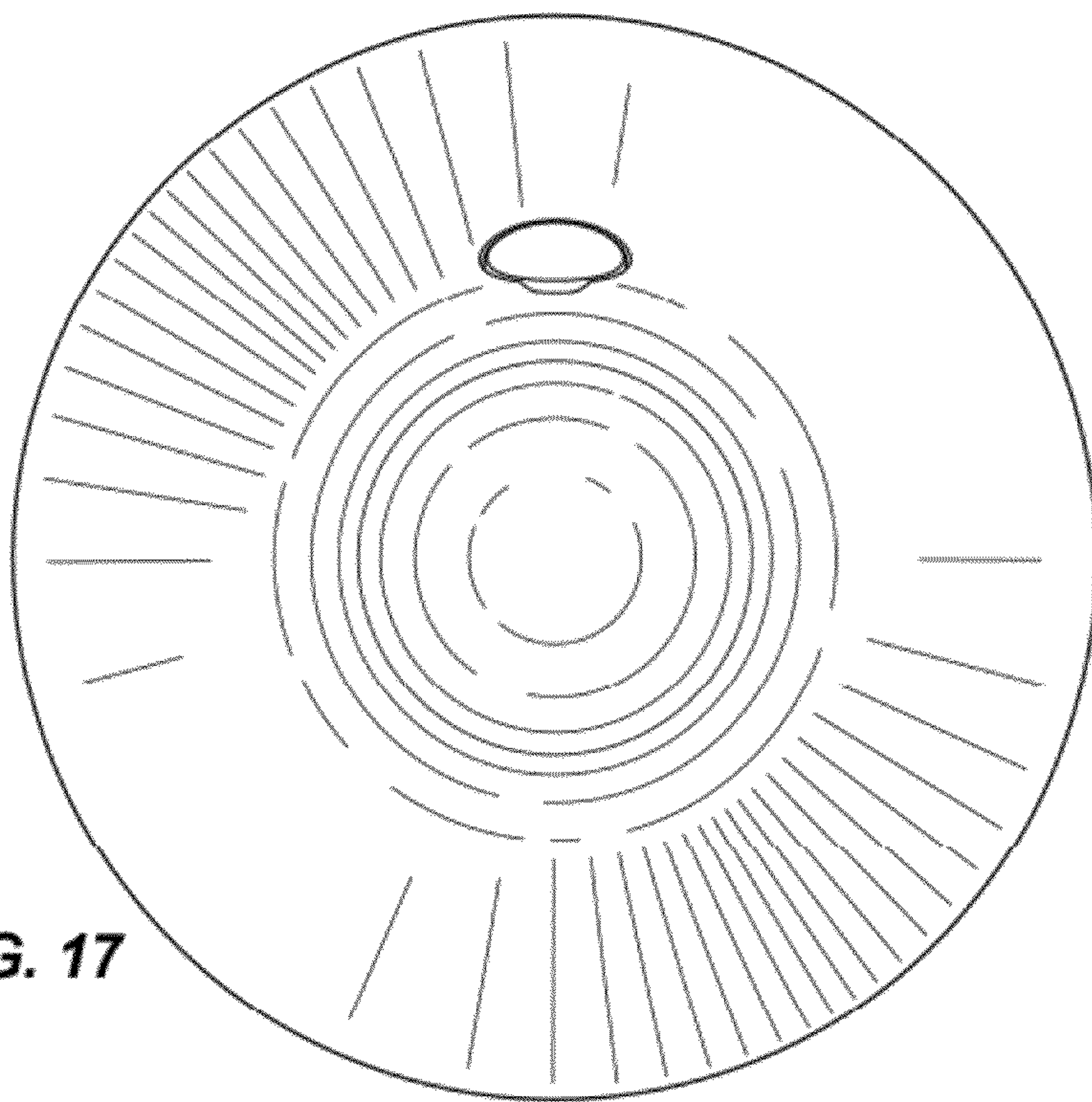


FIG. 17

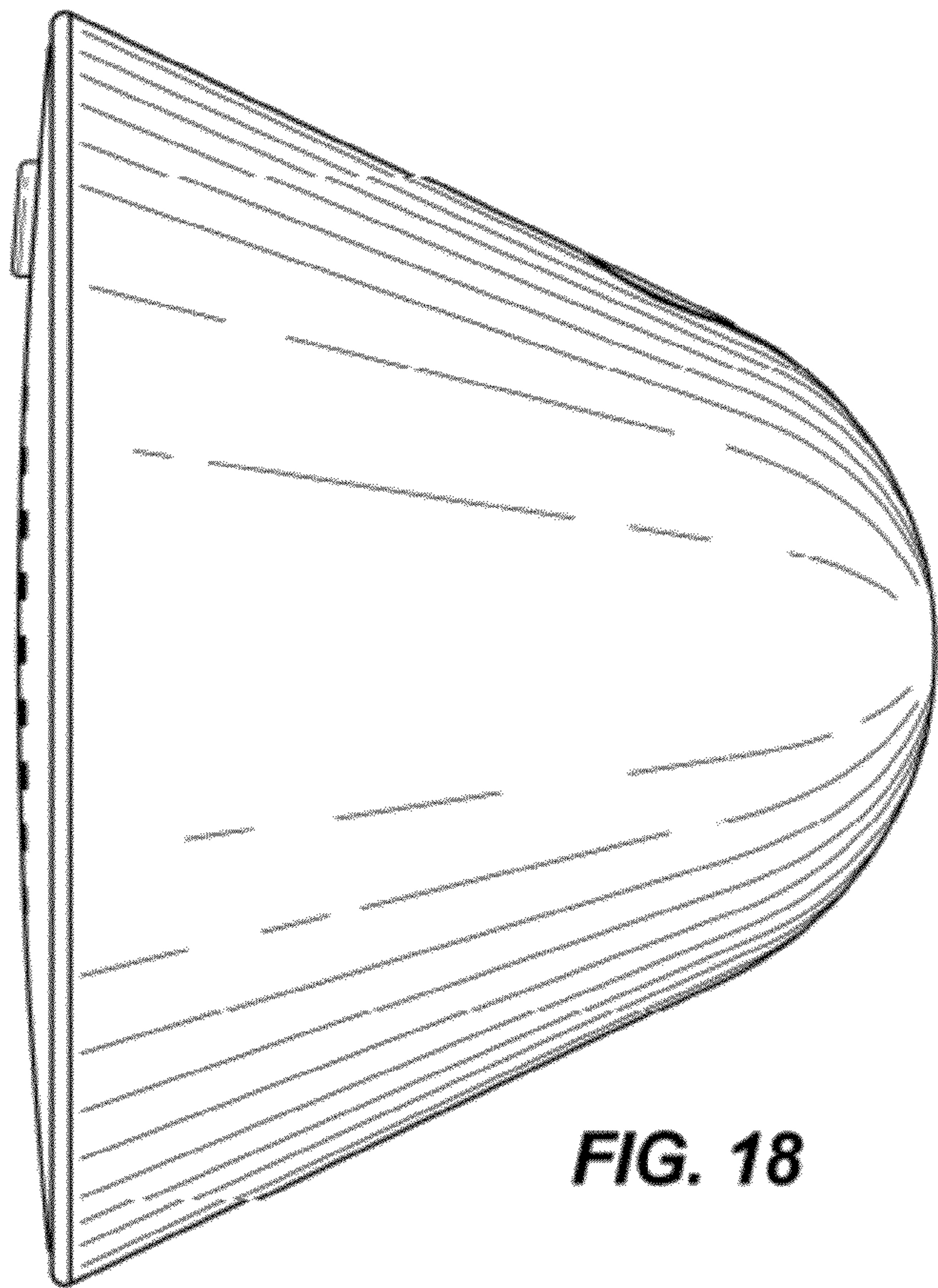


FIG. 18

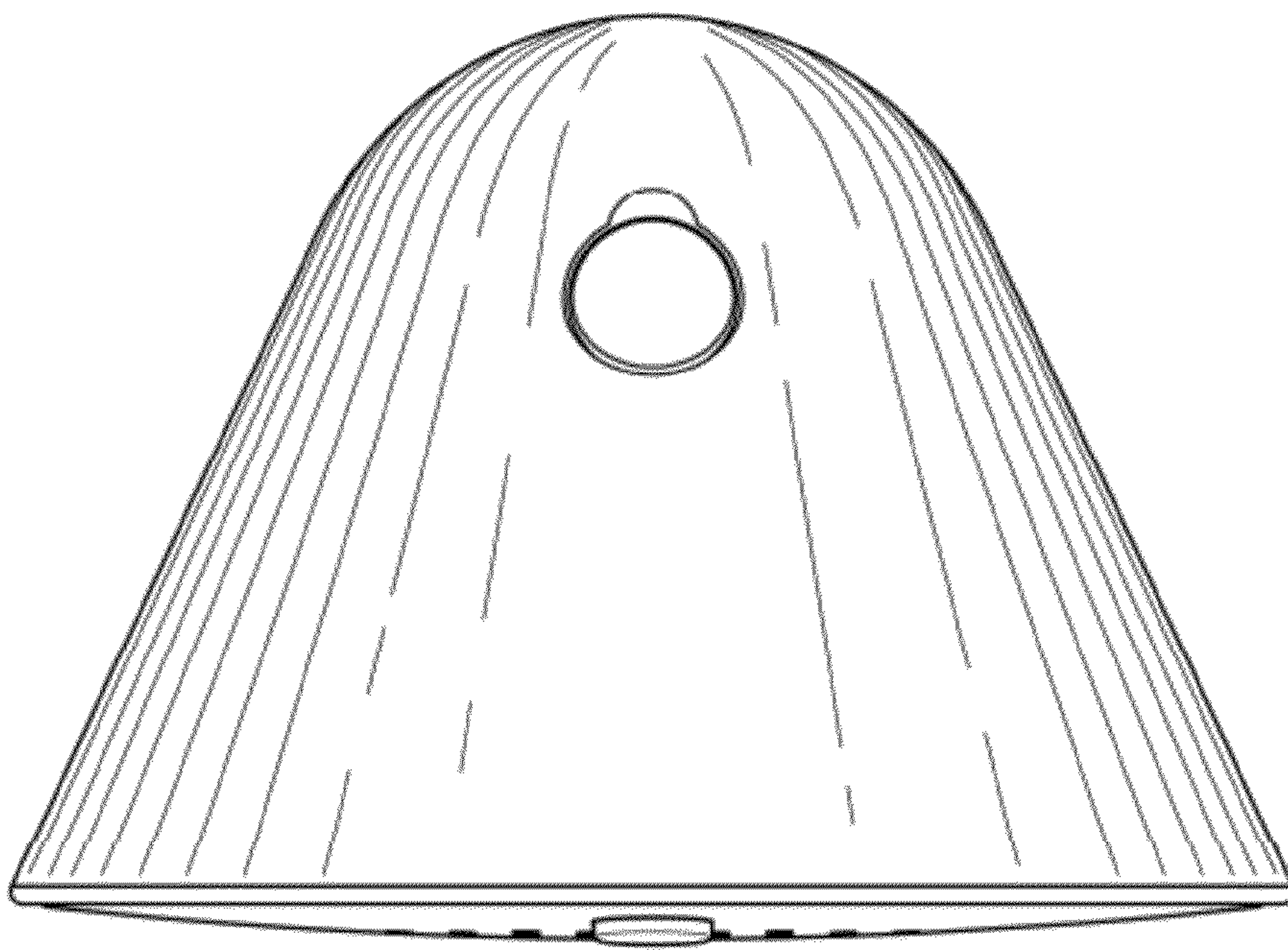


FIG. 19

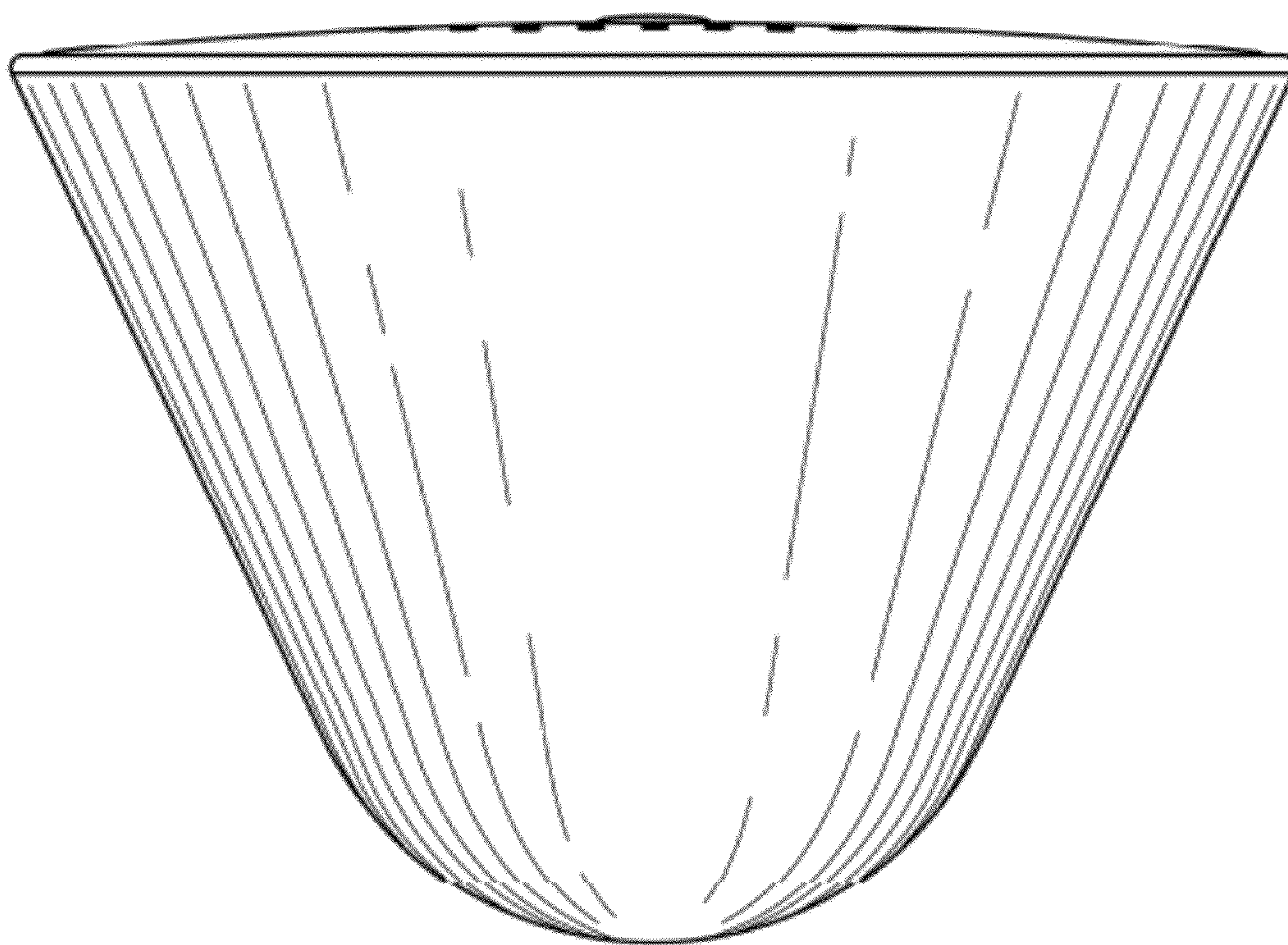


FIG. 20