



US00D678467S

(12) **United States Design Patent**
Quinn et al.

(10) **Patent No.:** **US D678,467 S**
(45) **Date of Patent:** **** Mar. 19, 2013**

(54) **RING-SHAPED HANDHELD SHOWERHEAD**

1,203,466 A 10/1916 Benson
1,217,254 A 2/1917 Winslow

(75) Inventors: **Michael J. Quinn**, Windsor, CO (US);
Leland C. Leber, Fort Collins, CO
(US); **Harold A. Luetzgen**, Windsor, CO
(US); **Joseph W. Cacka**, Berthoud, CO
(US)

(Continued)

FOREIGN PATENT DOCUMENTS

CA 659510 3/1963
CA 2341041 8/1999

(Continued)

(73) Assignee: **Water Pik, Inc.**, Fort Collins, CO (US)

(**) Term: **14 Years**

(21) Appl. No.: **29/411,961**

(22) Filed: **Jan. 27, 2012**

(51) **LOC (9) Cl.** **23-01**

(52) **U.S. Cl.** **D23/223**

(58) **Field of Classification Search** D23/213,
D23/223, 229–230; 239/462, 282–283; 4/615

See application file for complete search history.

OTHER PUBLICATIONS

Author Unknown, "Flipside: The Bolder Look of Kohler," 1 page, at least as early as Jun. 2011.

(Continued)

Primary Examiner — Robin V Webster

(74) *Attorney, Agent, or Firm* — Dorsey & Whitney LLP

(57) **CLAIM**

We claim the ornamental design for a ring-shaped handheld showerhead, substantially as shown and described.

(56) **References Cited**

U.S. PATENT DOCUMENTS

203,094 A	4/1878	Wakeman
204,333 A	5/1878	Josias
309,349 A	12/1884	Hart
428,023 A	5/1890	Schoff
432,712 A	7/1890	Taylor
445,250 A	1/1891	Lawless
453,109 A	5/1891	Dreisorner
486,986 A	11/1892	Schinke
566,384 A	8/1896	Engelhart
566,410 A	8/1896	Schinke
570,405 A	10/1896	Jerguson et al.
694,888 A	3/1902	Pflugger
800,802 A	10/1905	Franquist
832,523 A	10/1906	Andersson
835,678 A	11/1906	Hammond
845,540 A	2/1907	Ferguson
854,094 A	5/1907	Klein
926,929 A	7/1909	Dusseau
1,001,842 A	8/1911	Greenfield
1,003,037 A	9/1911	Crowe
1,018,143 A	2/1912	Vissering
1,046,573 A	12/1912	Ellis
1,130,520 A	3/1915	Kenney

DESCRIPTION

FIG. 1 is a front isometric view of a first embodiment of a ring-shaped handheld showerhead.

FIG. 2 is a front elevation view of the ring-shaped handheld showerhead of FIG. 1.

FIG. 3 is a rear elevation view of the ring-shaped handheld showerhead of FIG. 1.

FIG. 4 is a right side elevation view of the ring-shaped handheld showerhead of FIG. 1.

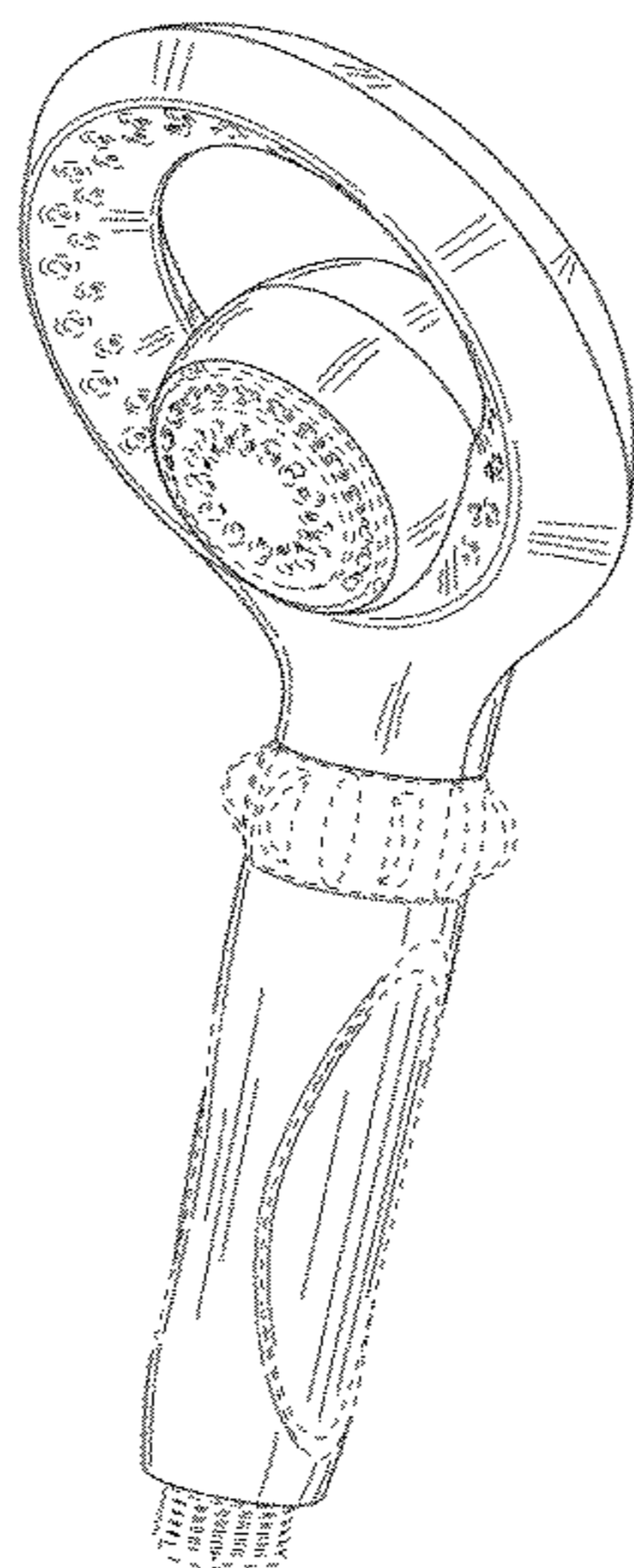
FIG. 5 is a left side elevation view of the ring-shaped handheld showerhead of FIG. 1.

FIG. 6 is a top plan view of the ring-shaped handheld showerhead of FIG. 1; and,

FIG. 7 is a bottom plan view of the ring-shaped handheld showerhead of FIG. 1.

The broken lines shown in the drawings are only for purposes of illustrating environment and defining the bounds of the claimed design and form no part of the claimed design.

1 Claim, 6 Drawing Sheets



US D678,467 S

Page 8

GB	2156932 A	10/1985
GB	2199771	7/1988
GB	2298595	11/1996
GB	2337471	11/1999
IT	327400	7/1935
IT	350359	7/1937
IT	563459	5/1957
JP	S63-181459	11/1988
JP	H2-78660	6/1990
JP	4062238	2/1992
JP	4146708	5/1992
NL	8902957	6/1991
WO	WO93/12894	7/1993
WO	WO93/25839	12/1993

WO	WO96/00617	1/1996
WO	WO98/30336	7/1998
WO	WO99/59726	11/1999
WO	WO00/10720	3/2000
WO	WO2010/004593	1/2010

OTHER PUBLICATIONS

Color Copy, Labeled 1A, Gemlo, available at least as early as Dec. 2, 1998.

Color Copy, Labeled 1B, Gemlo, available at least as early as Dec. 2, 1998.

* cited by examiner

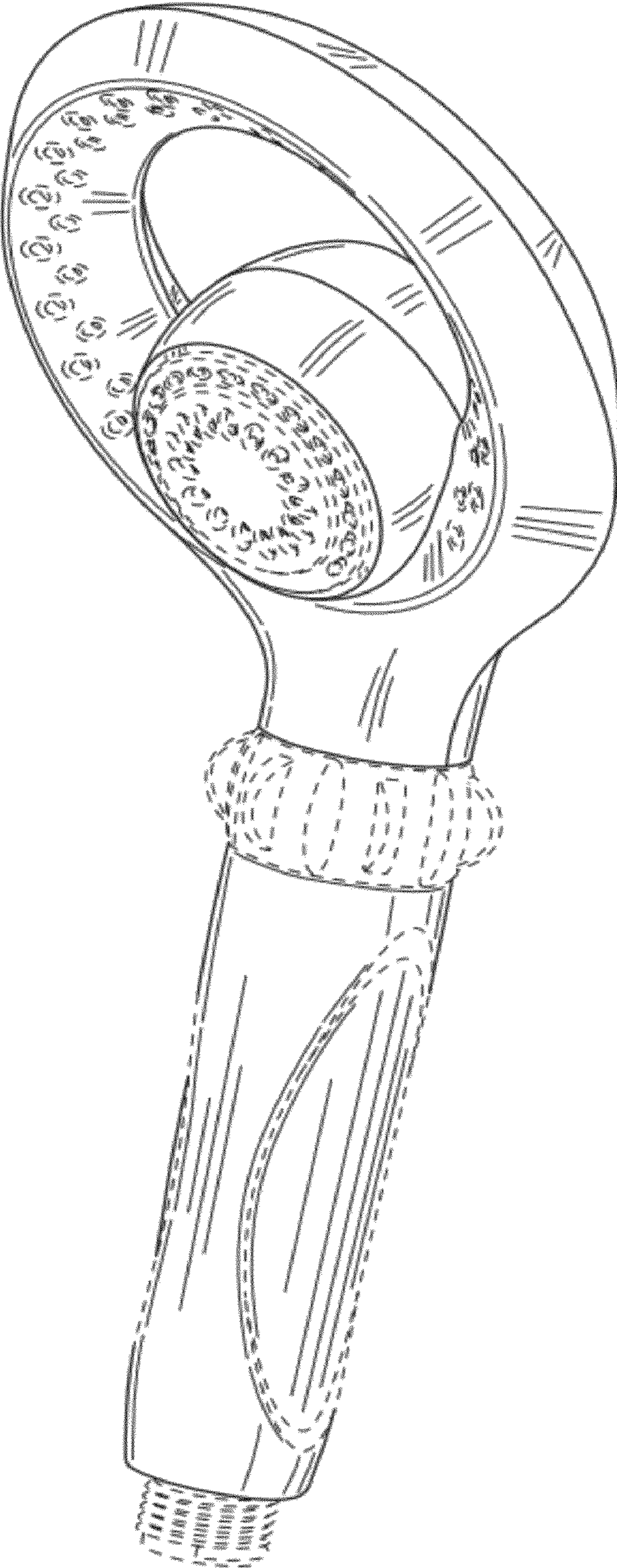


FIG. 1

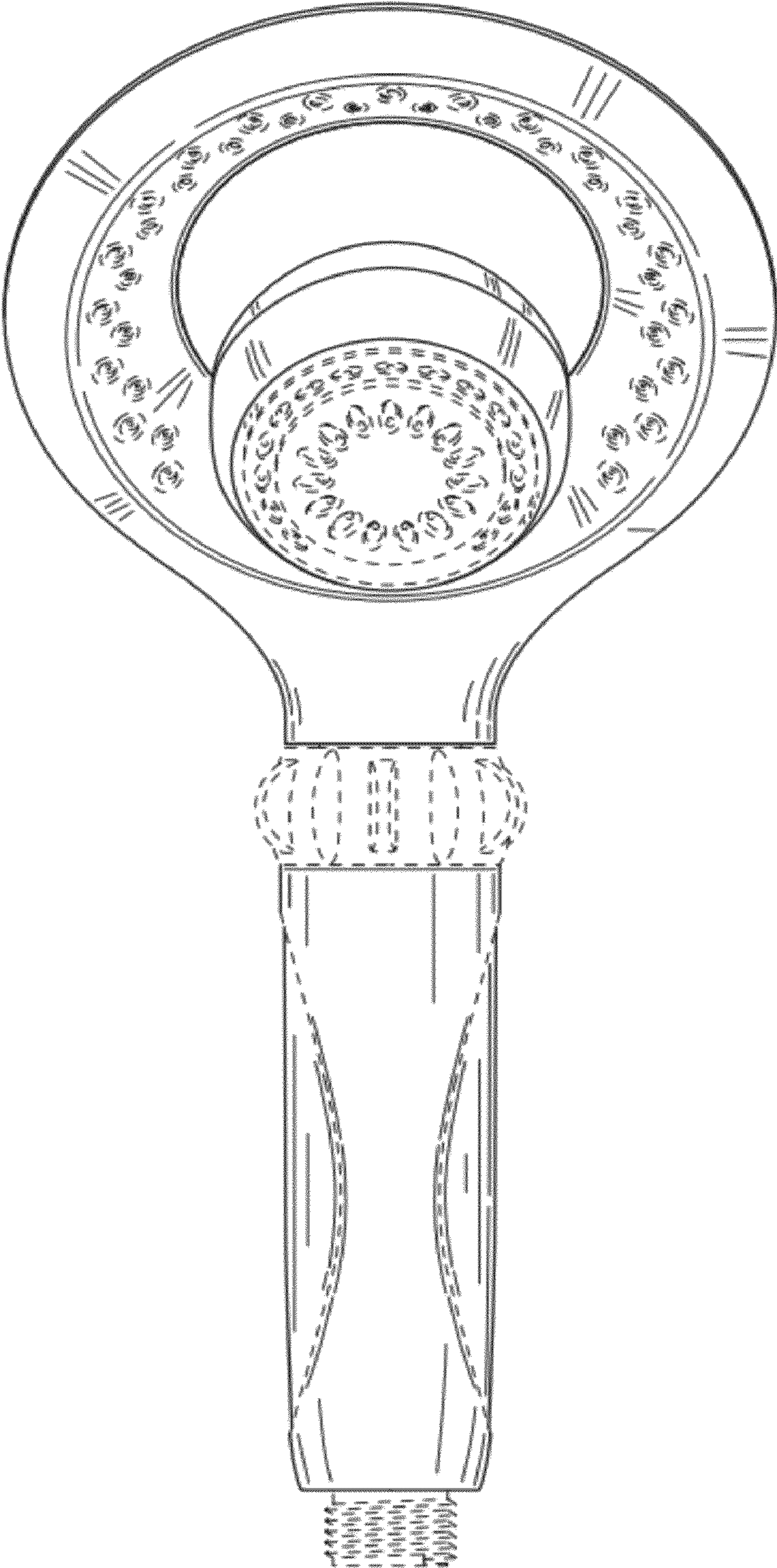


FIG. 2

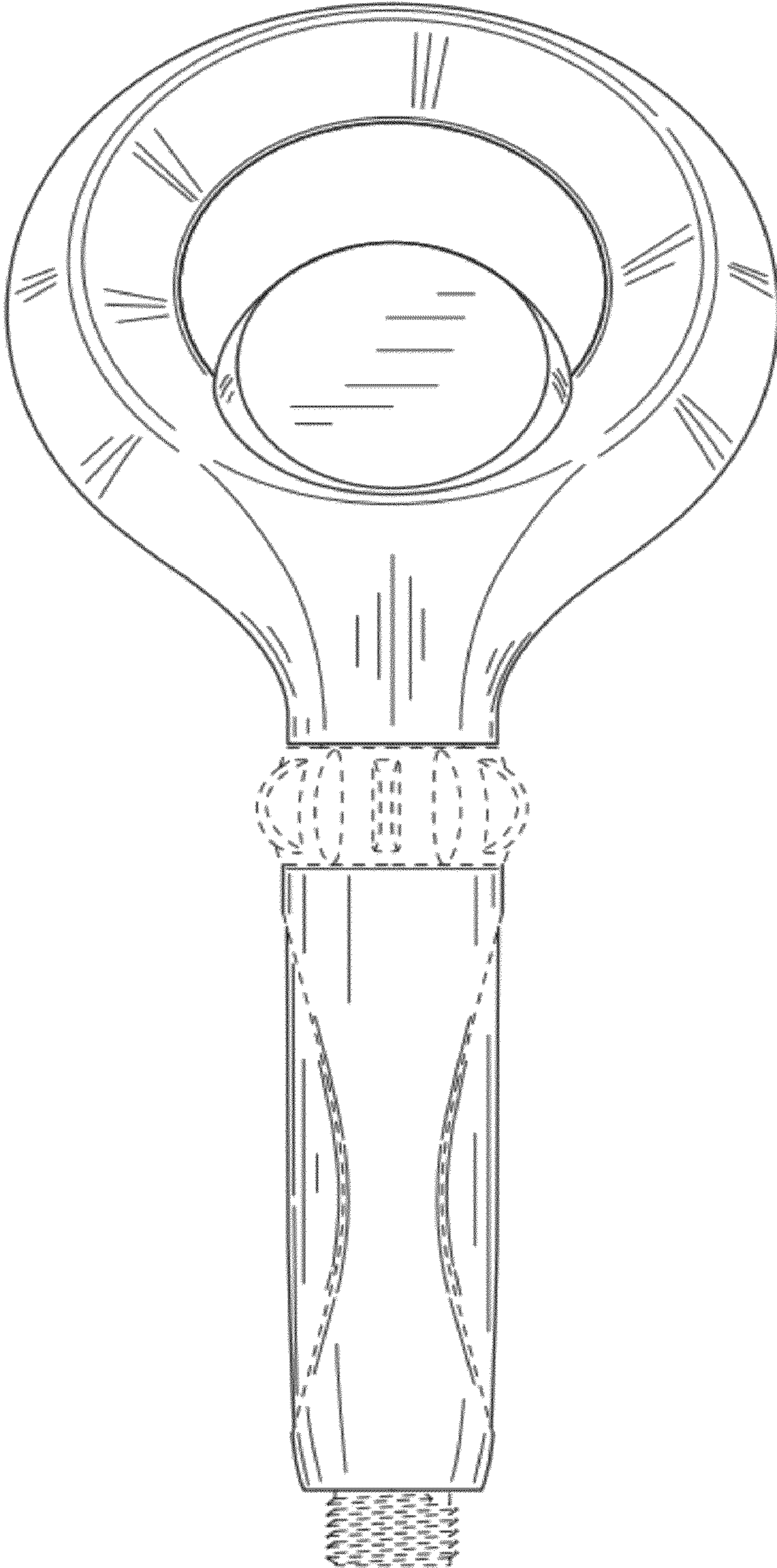


FIG.3

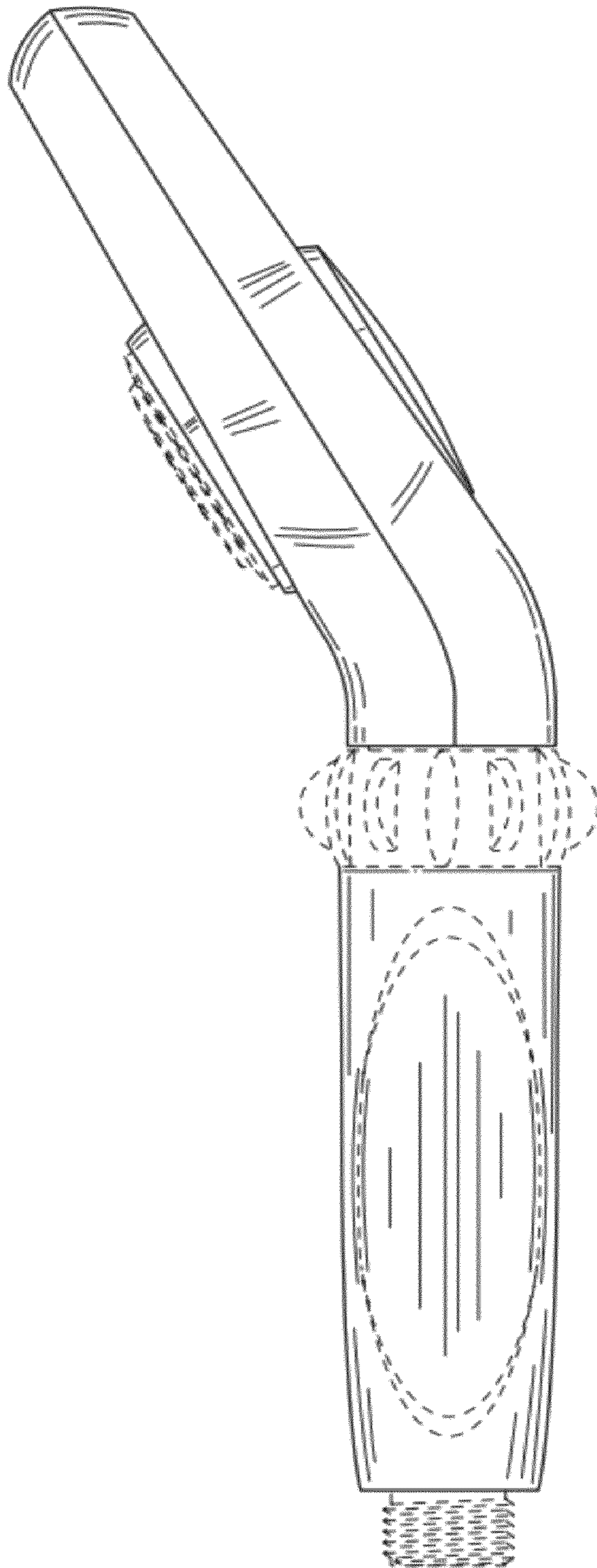


FIG.4

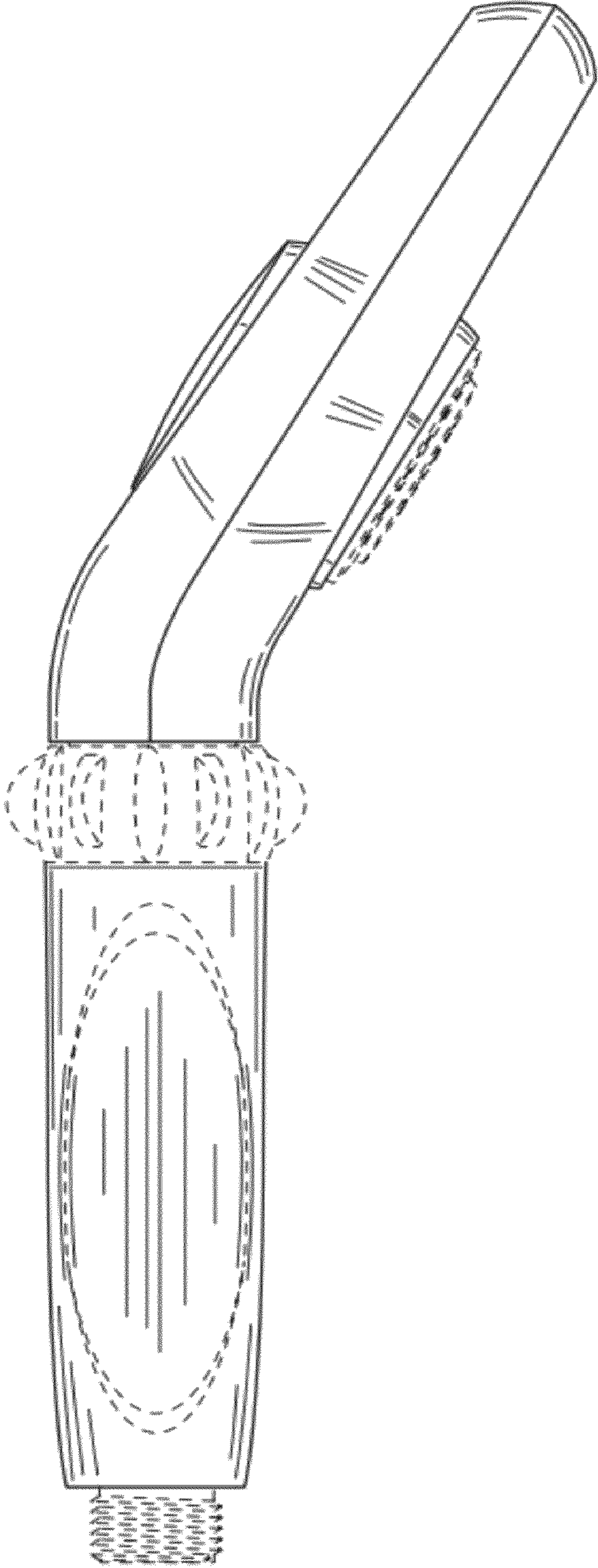


FIG.5

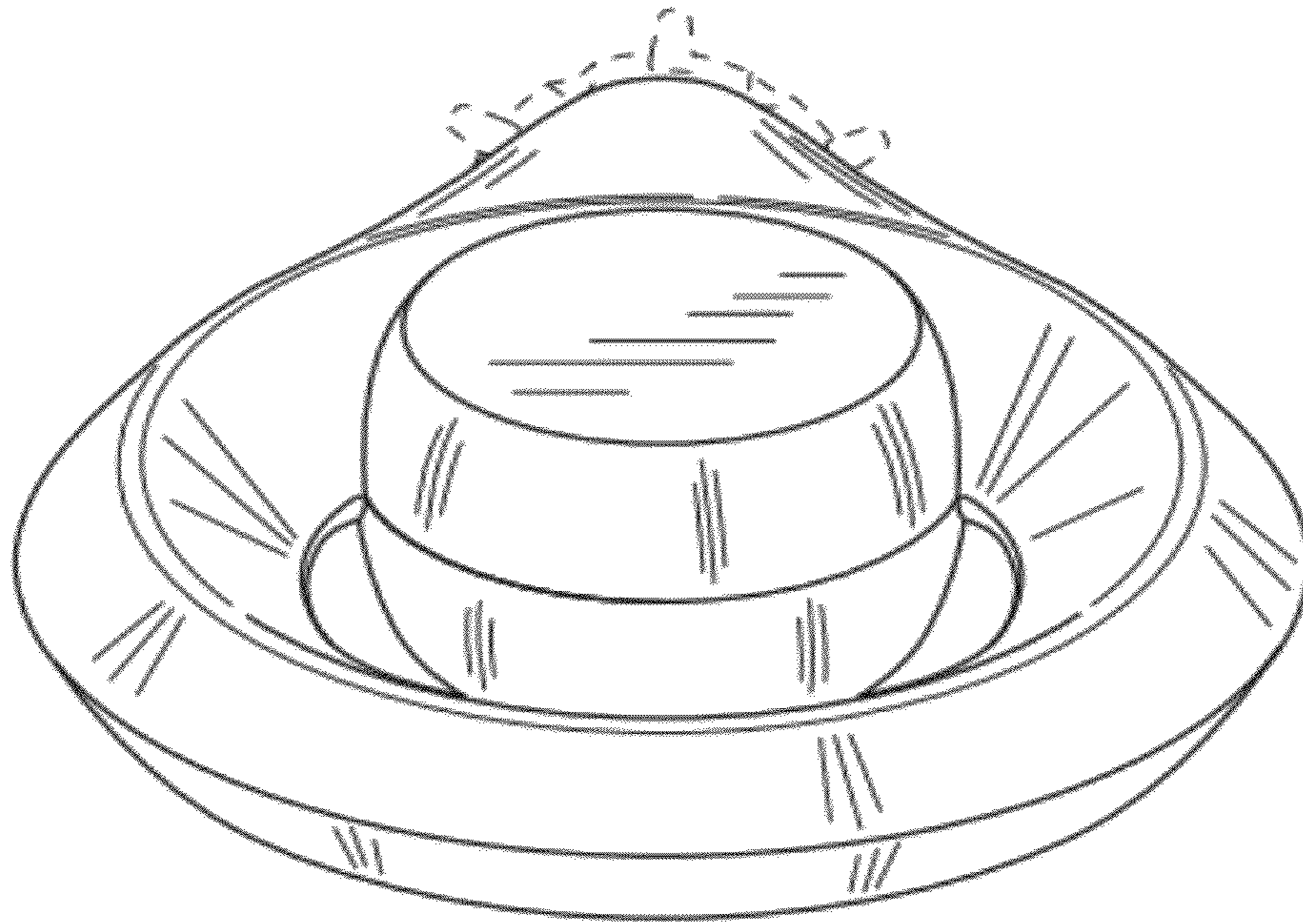


FIG. 6

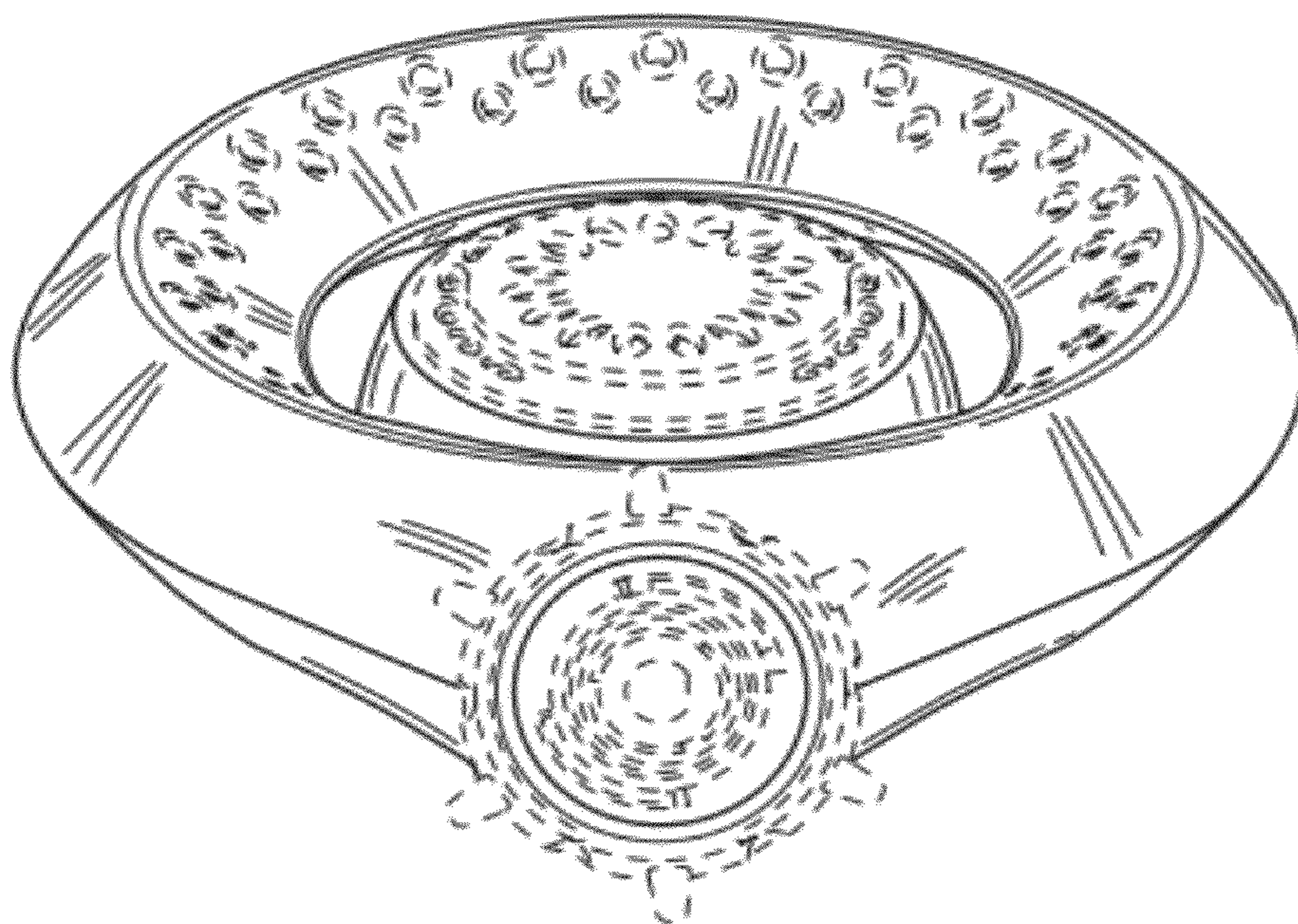


FIG. 7