



US00D678465S

(12) **United States Design Patent**
Zhadanov

(10) **Patent No.:** **US D678,465 S**
(45) **Date of Patent:** **** Mar. 19, 2013**

(54) **SHOWERHEAD**

(76) Inventor: **Eli Zhadanov**, Brooklyn, NY (US)

(**) Term: **14 Years**

(21) Appl. No.: **29/423,159**

(22) Filed: **May 29, 2012**

(51) **LOC (9) Cl.** **23-01**

(52) **U.S. Cl.** **D23/213**

(58) **Field of Classification Search** D23/213,
D23/229, 230, 223; 239/462, 282, 283
See application file for complete search history.

(56) **References Cited**

U.S. PATENT DOCUMENTS

D412,357 S *	7/1999	Marshall	D23/229
D450,807 S *	11/2001	Lindholm et al.	D23/229
D559,950 S *	1/2008	Tse	D23/229
D617,873 S *	6/2010	Lee	D23/229

* cited by examiner

Primary Examiner — Robin V Webster

(74) *Attorney, Agent, or Firm* — Henry M. Feiereisen, LLC

(57) **CLAIM**

The ornamental design for a showerhead, as shown and described.

DESCRIPTION

FIG. 1 is a perspective view of a showerhead showing my new design;

FIG. 2 is a front elevational view thereof;

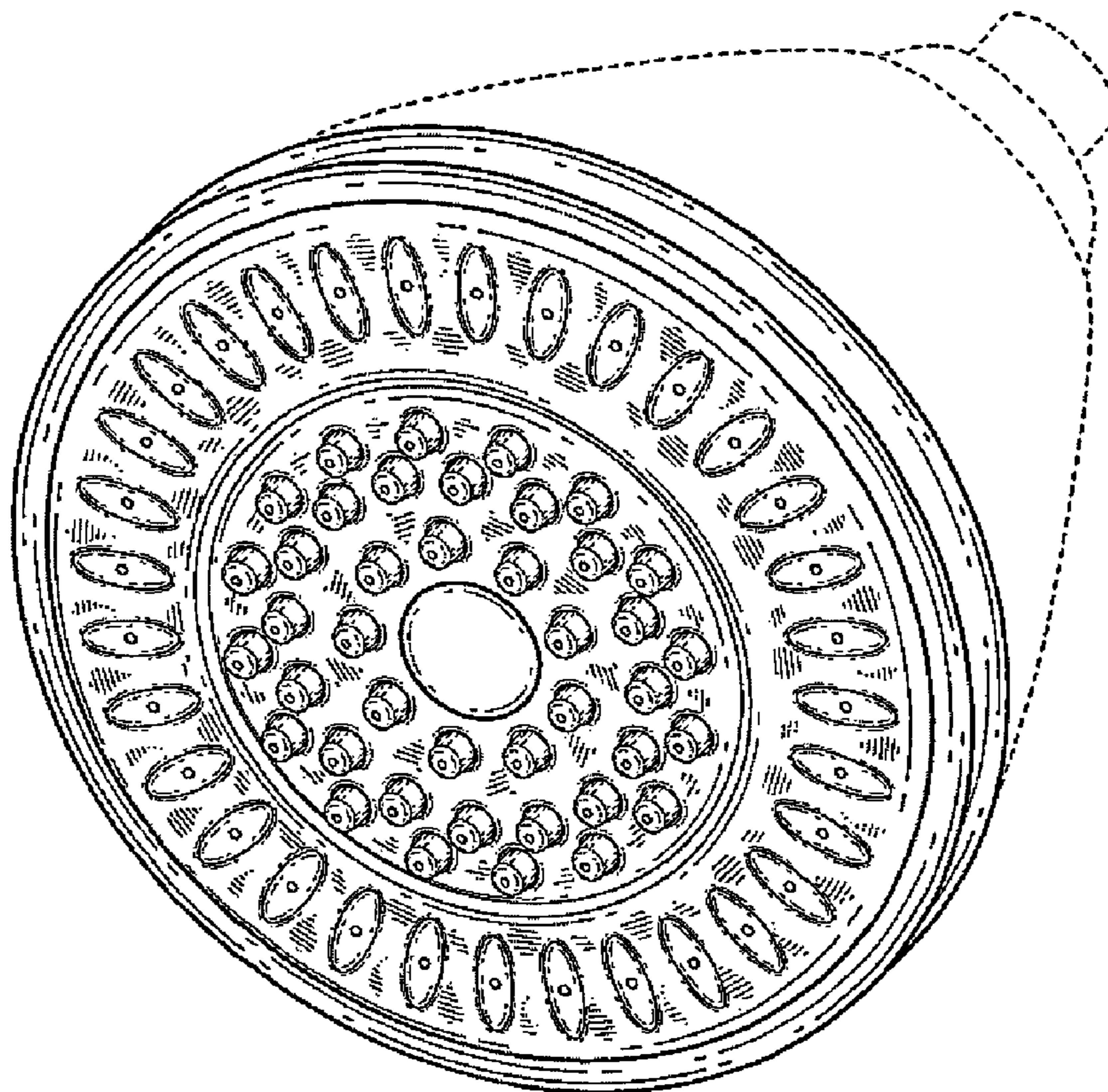
FIG. 3 is a right side view thereof, with the left, top and bottom views being a mirror image;

FIG. 4 is a front elevational view thereof, shown on a hand-held shower; and,

FIG. 5 is a right side view thereof, with the left, top and bottom views being a mirror image.

The broken line showing of a wall mount showerhead body in FIGS. 1 and 3 and a hand-held body in FIGS. 4 and 5 is included for the purpose of illustrating and forms no part of the claimed design.

1 Claim, 5 Drawing Sheets



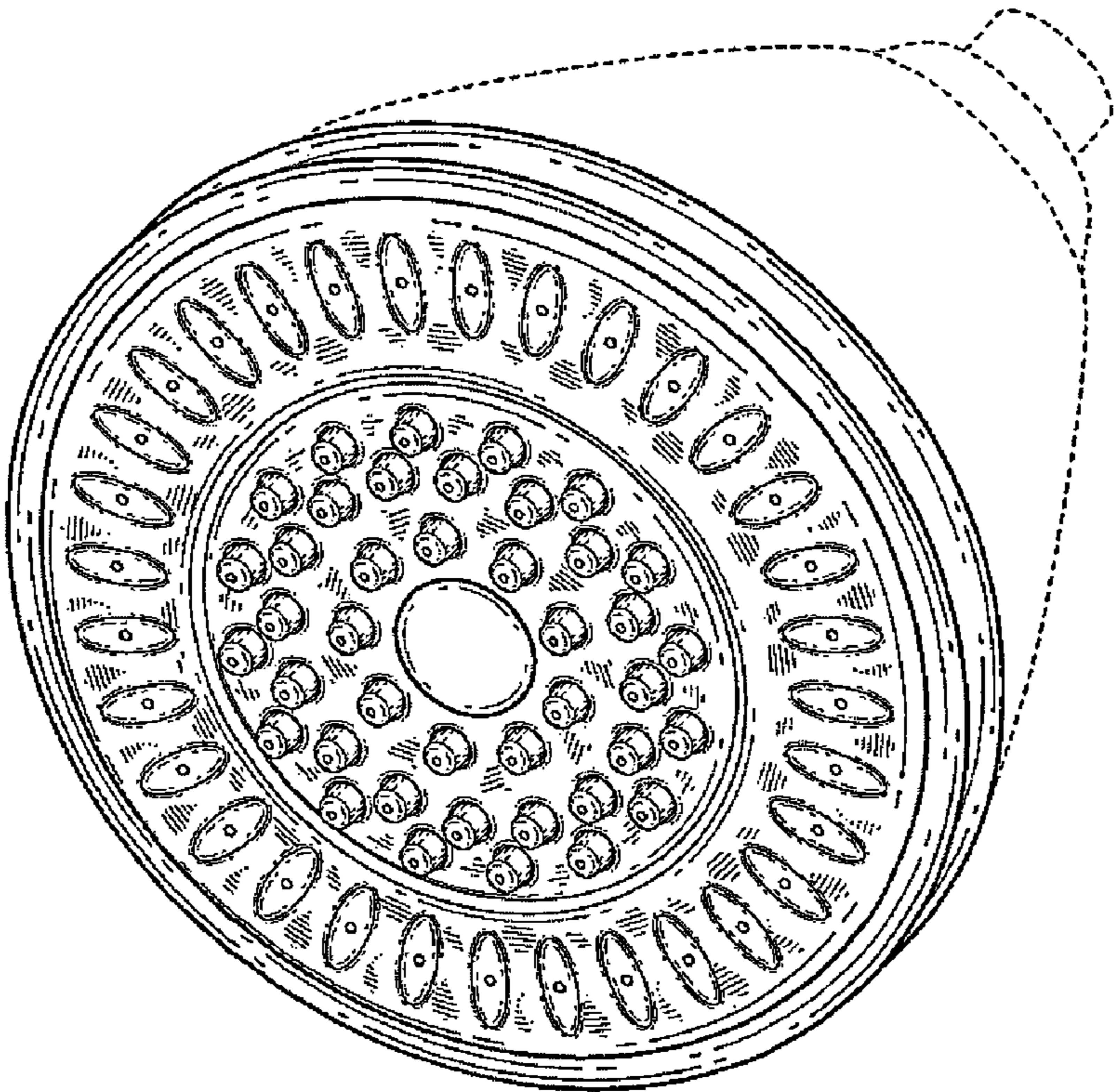


FIG. 1

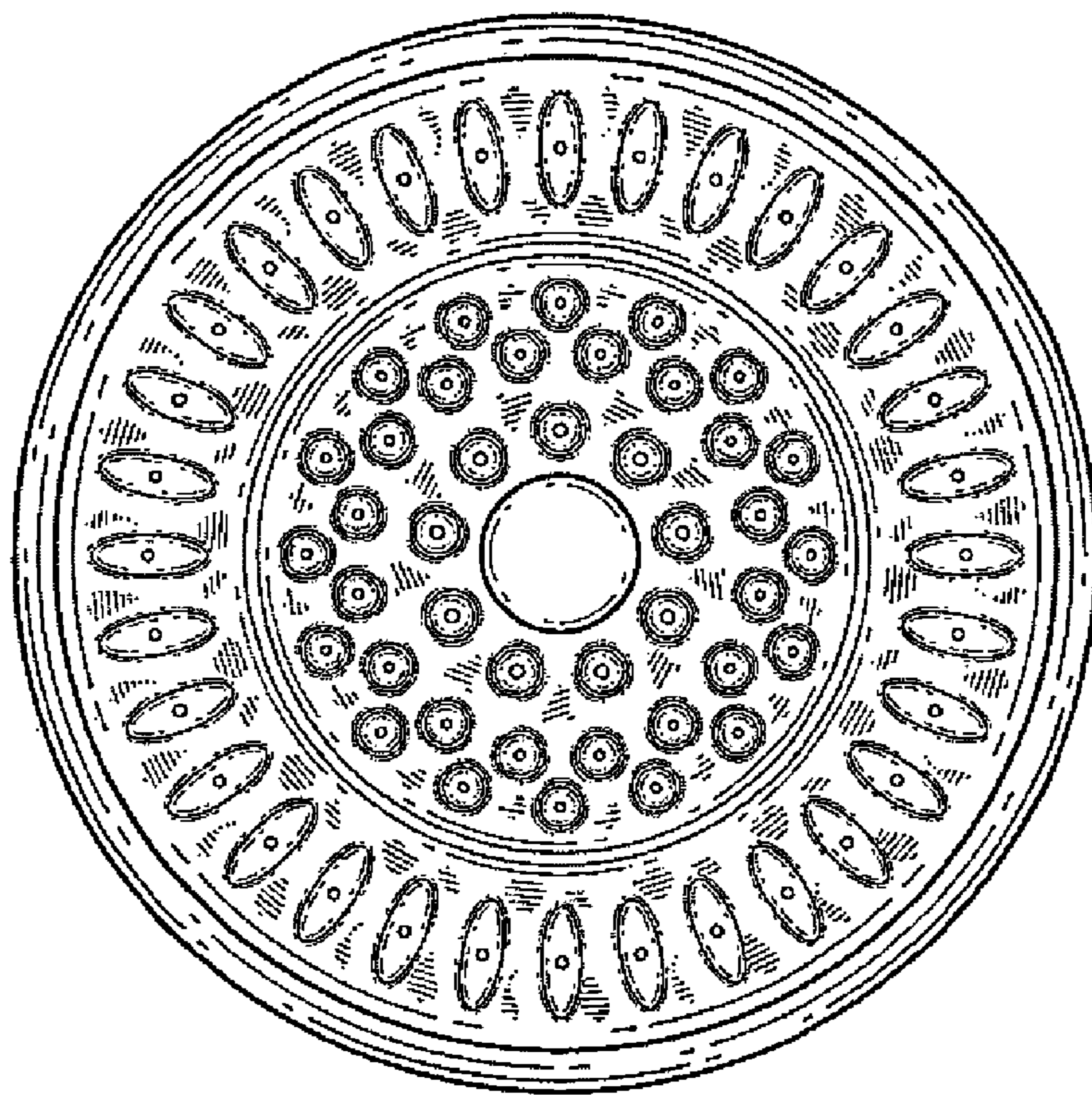


FIG. 2

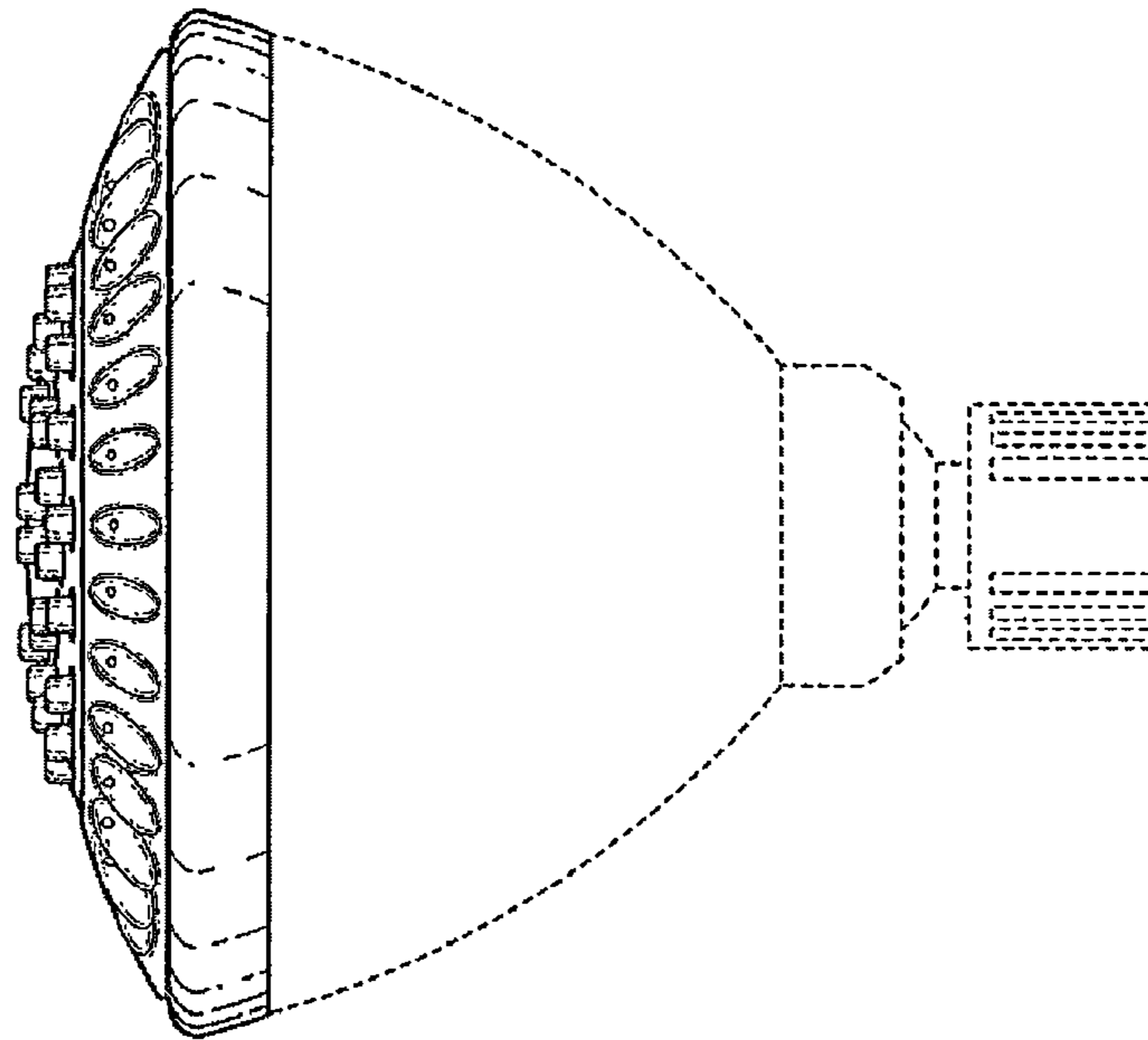


FIG. 3

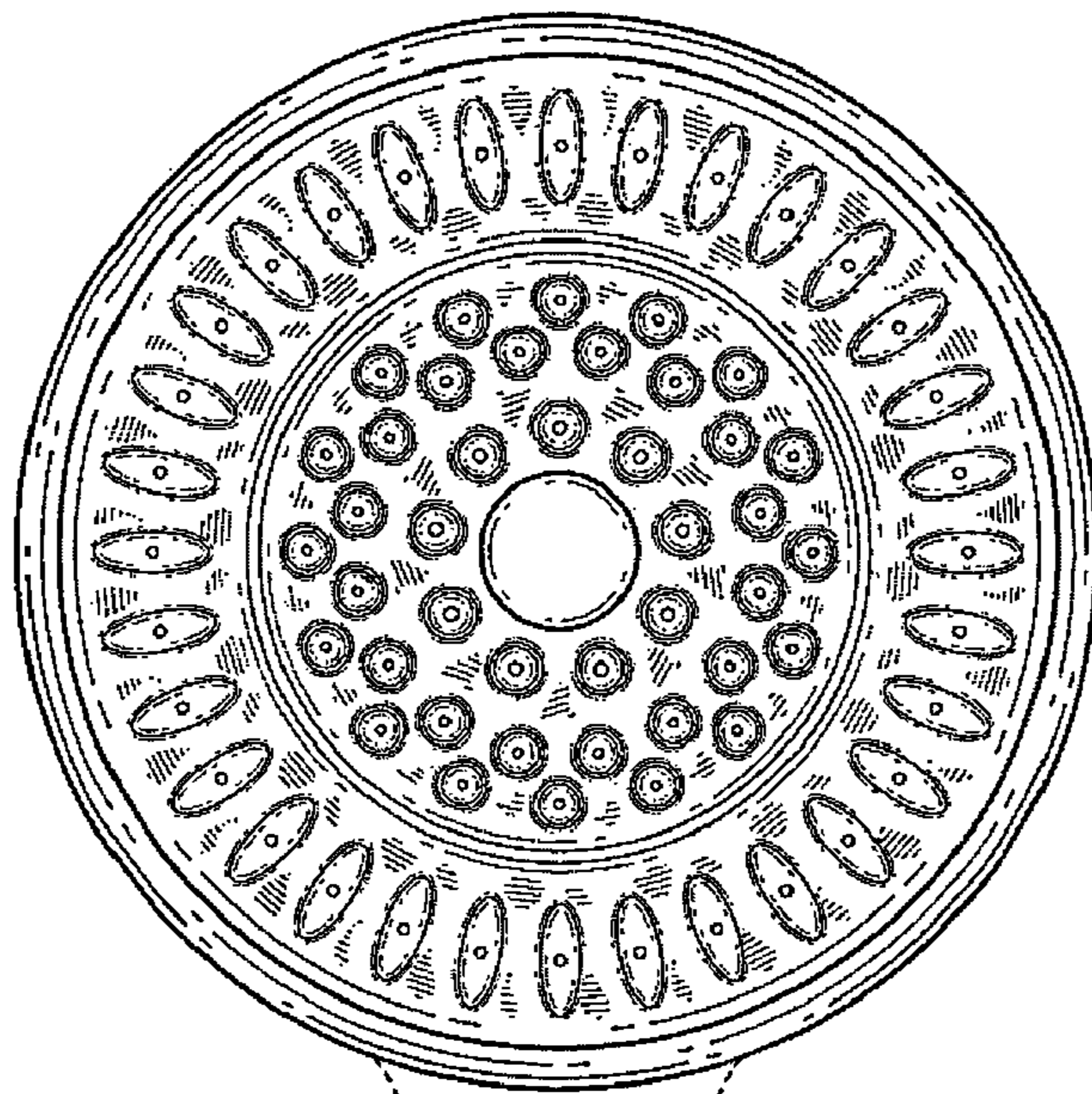


FIG. 4

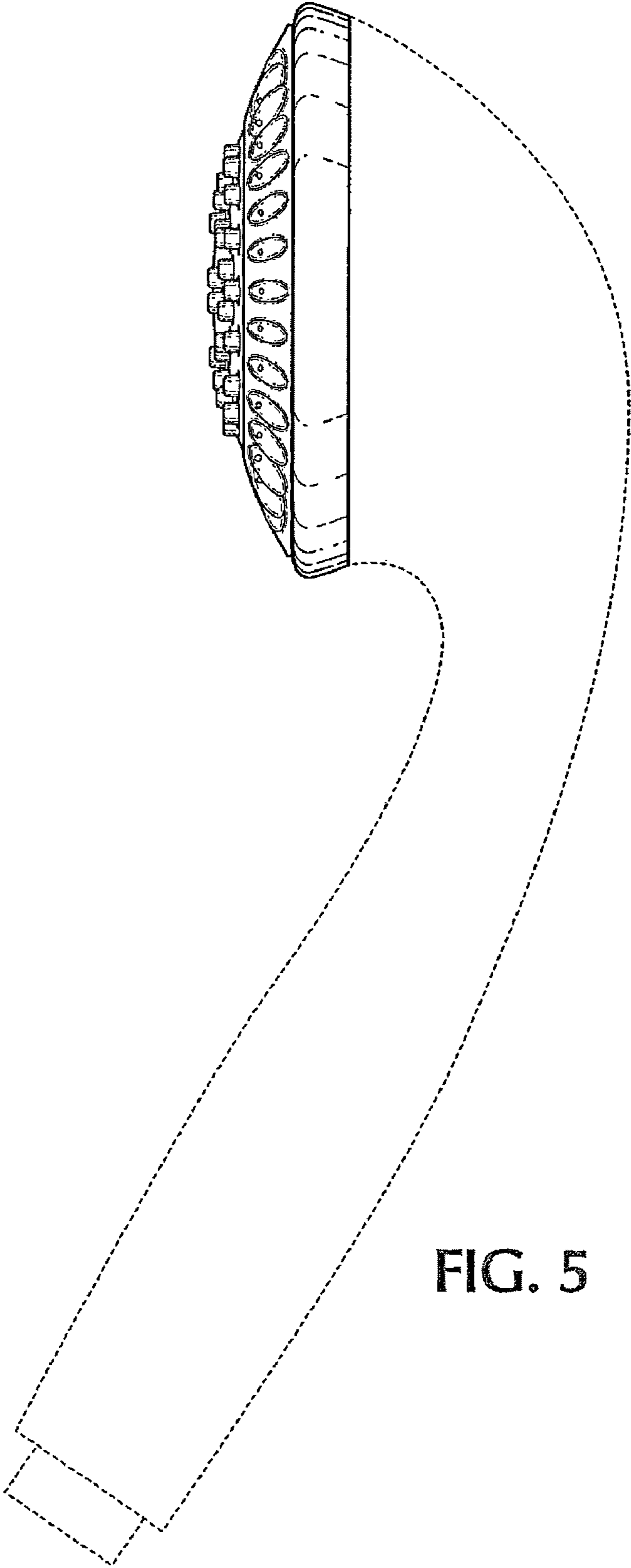


FIG. 5