



US00D678460S

(12) **United States Design Patent**  
**Pool**

(10) **Patent No.:** **US D678,460 S**

(45) **Date of Patent:** **\*\* Mar. 19, 2013**

(54) **FISH ATTRACTOR**

(76) **Inventor:** **Richard B. Pool**, Lafayette, CA (US)

(\*\*) **Term:** **14 Years**

(21) **Appl. No.:** **29/374,990**

(22) **Filed:** **Nov. 7, 2011**

(51) **LOC (9) Cl.** ..... **22-05**

(52) **U.S. Cl.** ..... **D22/129**

(58) **Field of Classification Search** ..... D22/126-133;  
43/42.5, 42.05, 42.06, 42.31, 45.51, 42.32,  
43/42.33, 42.34, 43.1, 43.13, 42.39

See application file for complete search history.

(56) **References Cited**

**U.S. PATENT DOCUMENTS**

4,574,514 A \* 3/1986 Kingston ..... 43/42.5  
D356,360 S \* 3/1995 Drury, Jr. .... D22/129  
D472,955 S \* 4/2003 Hyneman ..... D22/129

D495,396 S \* 8/2004 Yamaguchi ..... D22/129  
D521,103 S \* 5/2006 Franco ..... D22/129  
D637,685 S \* 5/2011 Pruitt ..... D22/129  
D652,102 S \* 1/2012 Taylor ..... D22/129

\* cited by examiner

*Primary Examiner* — Catheri Oliver-Garcia

(57) **CLAIM**

I claim the ornamental design for a fish attractor, as shown and described.

**DESCRIPTION**

FIG. 1—A top plan view thereof

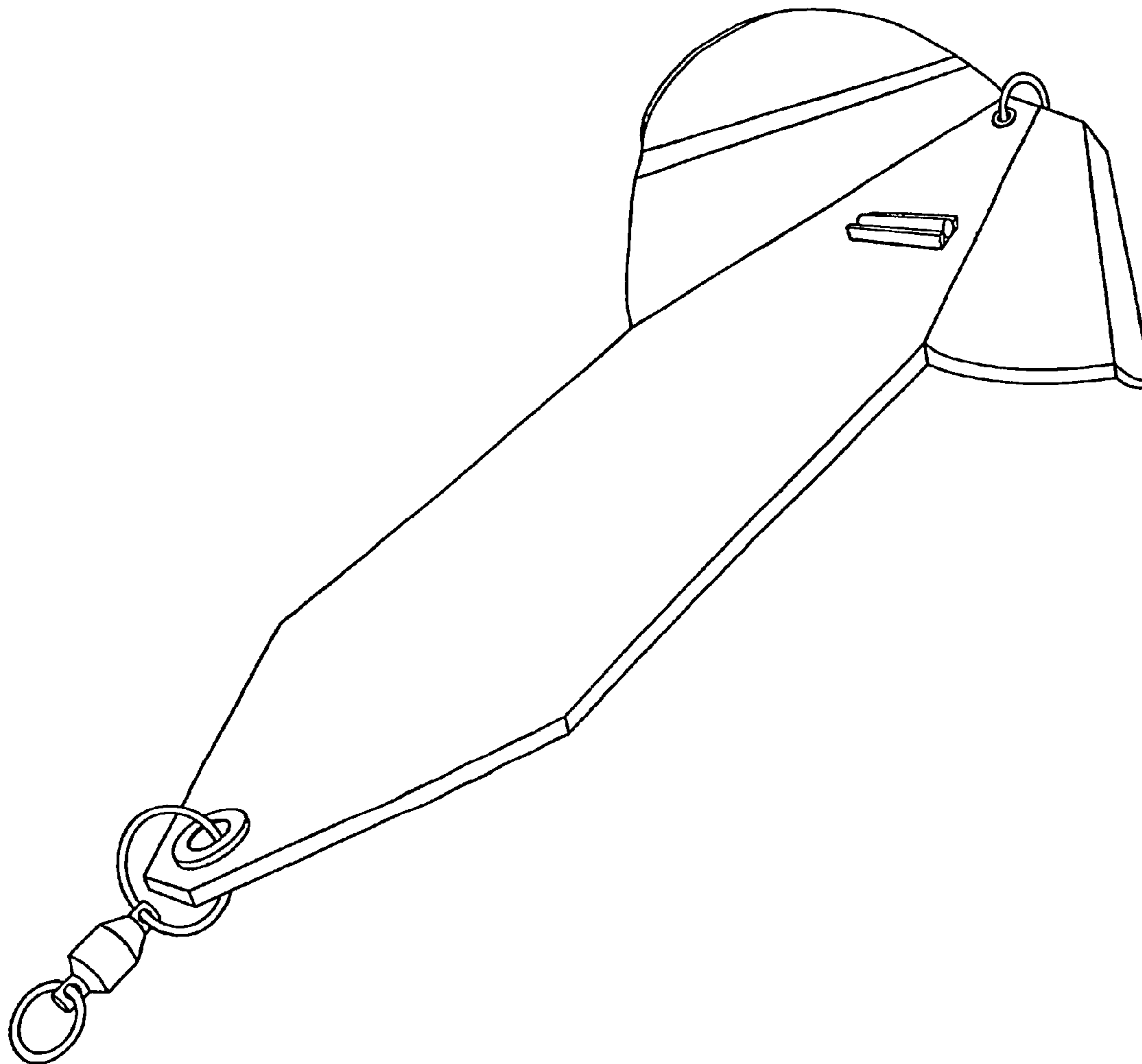
FIG. 2—A left side elevation view thereof

FIG. 3—A front elevation view thereof; and,

FIG. 4—A perspective view thereof.

My new design for a fish attractor is used in trolling applications from a slow moving boat.

**1 Claim, 4 Drawing Sheets**



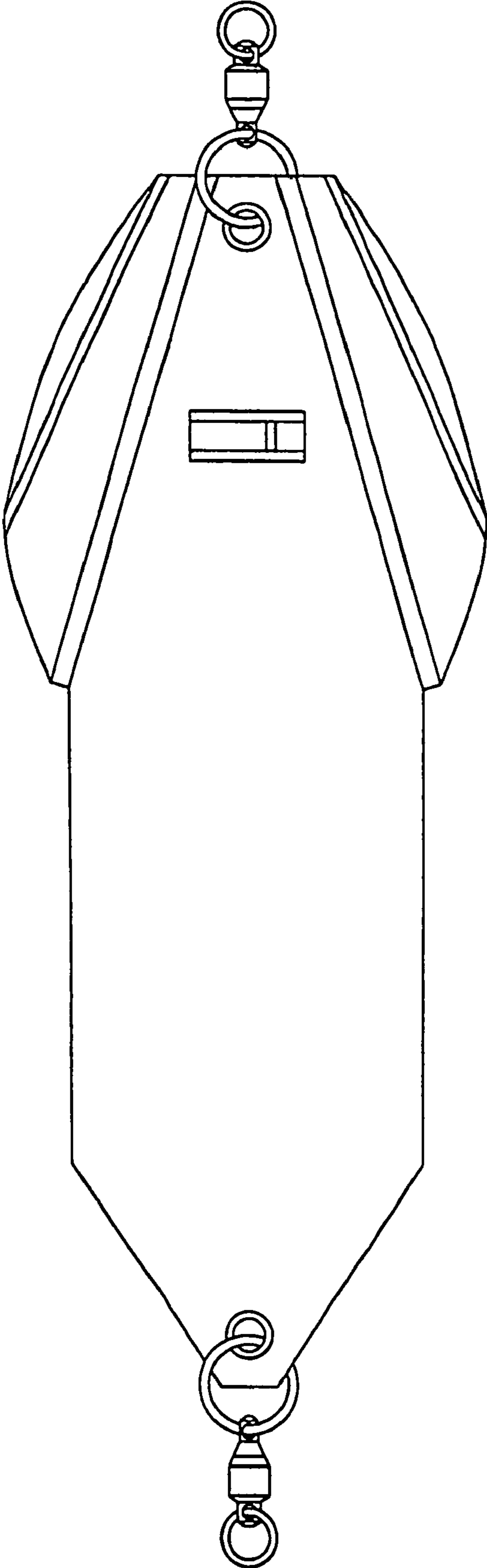


FIGURE 1

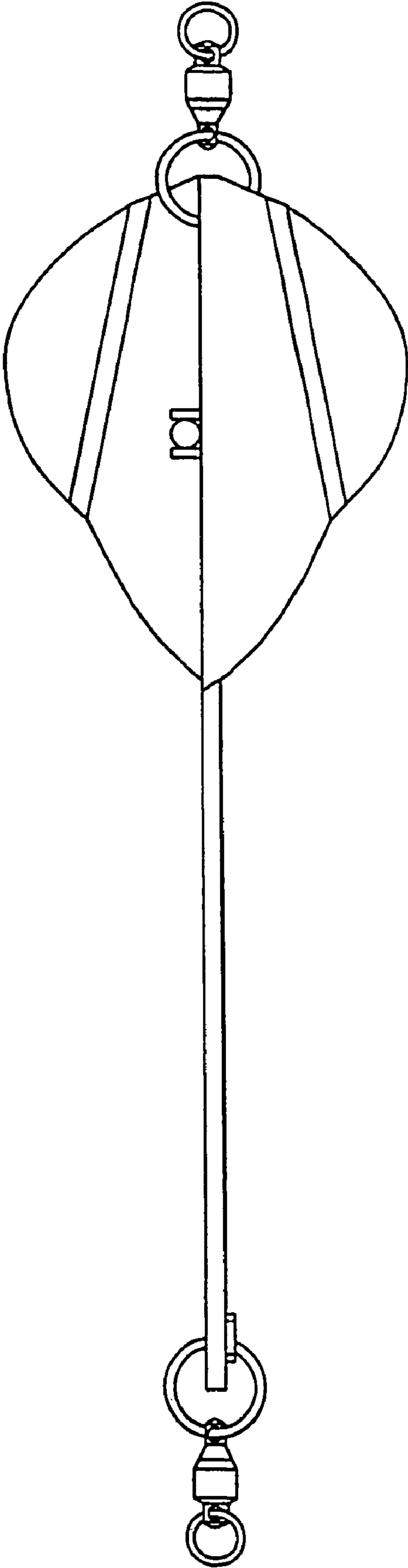


FIGURE 2

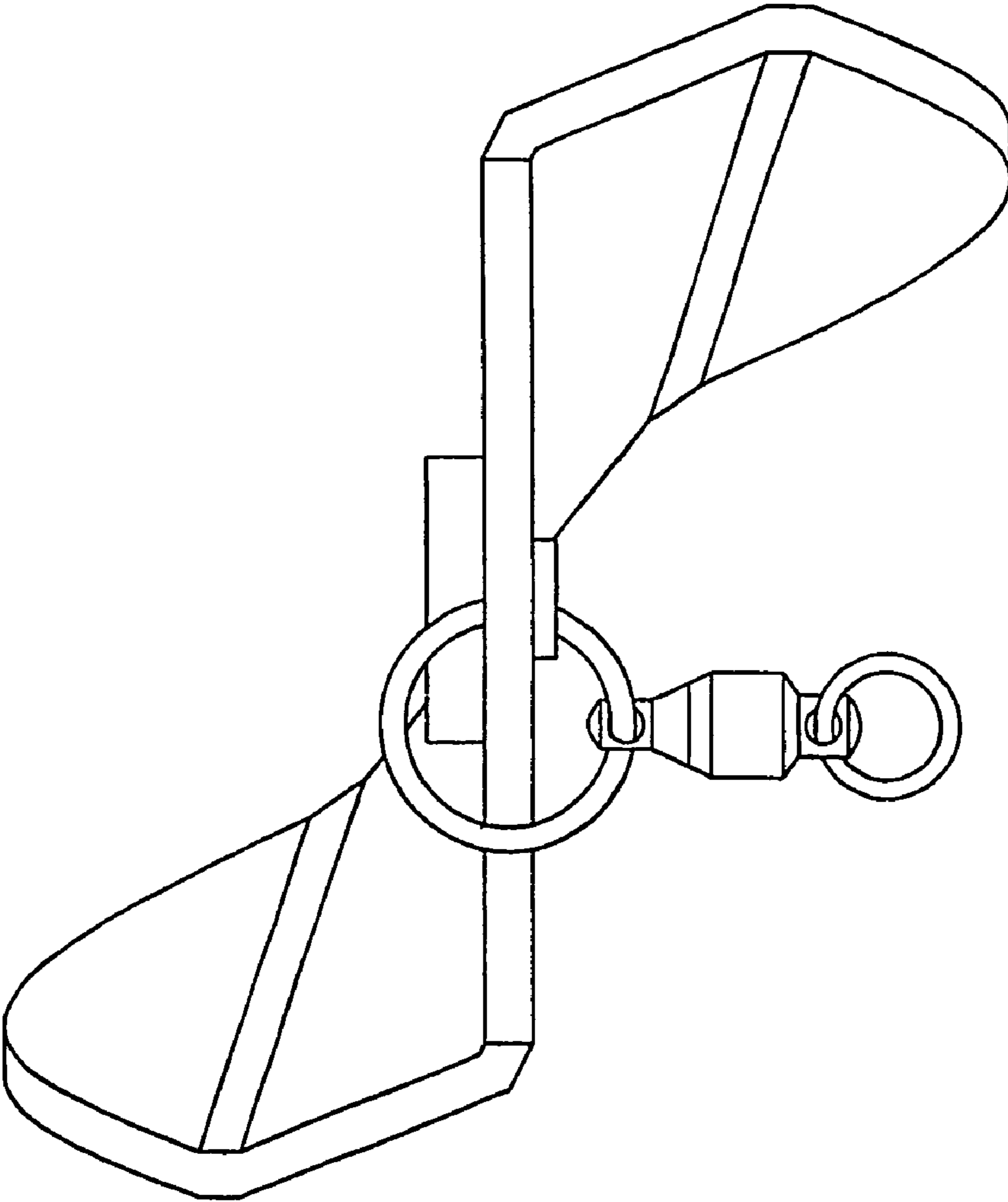


FIGURE 3

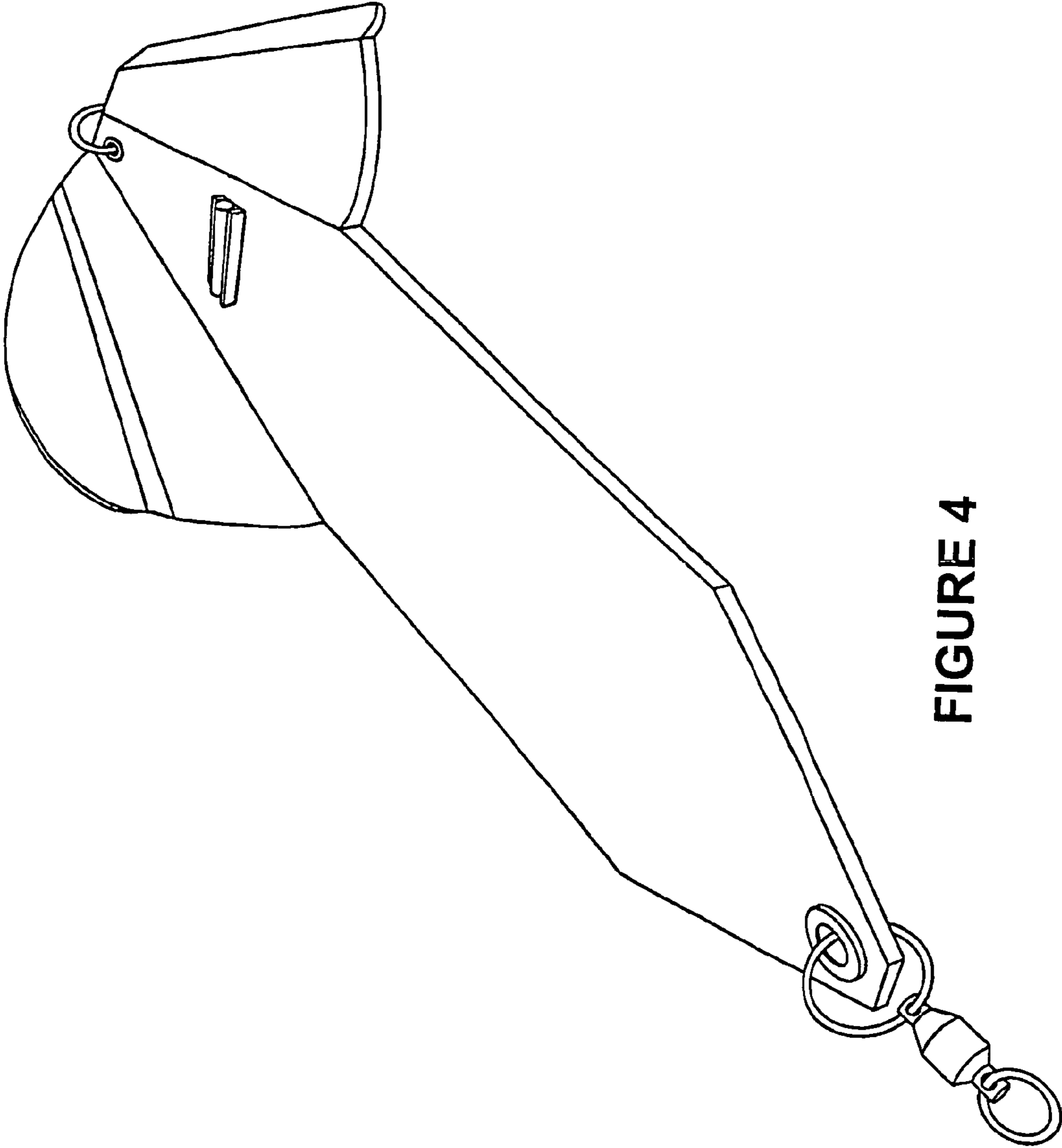


FIGURE 4