



US00D678455S

(12) **United States Design Patent**
Hatfield

(10) **Patent No.:** **US D678,455 S**

(45) **Date of Patent:** **** Mar. 19, 2013**

(54) **RIFLE MAGAZINE**

(76) Inventor: **Mark D. Hatfield**, Beavercreek, OH
(US)

(**) Term: **14 Years**

(21) Appl. No.: **29/394,418**

(22) Filed: **Jun. 16, 2011**

(51) **LOC (9) Cl.** **22-01**

(52) **U.S. Cl.** **D22/108**

(58) **Field of Classification Search** D22/100–116;
89/40.06, 37.04, 33.04, 191.01; 362/110;
42/51, 71.01, 75.01, 75.02, 90, 94; 124/66,
124/67, 74; D21/572–574

See application file for complete search history.

(56) **References Cited**

U.S. PATENT DOCUMENTS

3,198,076	A *	8/1965	Stoner	89/128
4,765,224	A *	8/1988	Morris	89/191.01
6,634,131	B1 *	10/2003	Fitzpatrick	42/90
6,722,255	B2 *	4/2004	Herring	89/193
7,117,626	B1 *	10/2006	Alzamora et al.	42/108
7,261,029	B1 *	8/2007	Davis	89/148
7,832,326	B1 *	11/2010	Barrett	89/191.01
D637,682	S *	5/2011	Bentley et al.	D22/108
2009/0094875	A1 *	4/2009	Kim	42/1.02
2009/0178325	A1 *	7/2009	Veilleux	42/117
2010/0031551	A1 *	2/2010	Griffin	42/72
2010/0236394	A1 *	9/2010	Gomez	89/138

2011/0005383 A1* 1/2011 Kramer 89/191.01

* cited by examiner

Primary Examiner — Michael A Pratt

(74) *Attorney, Agent, or Firm* — R. William Graham

(57) **CLAIM**

The ornamental design for the rifle magazine, as shown and described herein.

DESCRIPTION

FIG. 1 is a side perspective view of a rifle magazine showing my new design;

FIG. 2 is a right side view of a rifle magazine showing my new design taken from the left;

FIG. 3 is a left side view of a rifle magazine showing my new design taken from the right;

FIG. 4 is a back side back elevation view of a rifle magazine showing my new design;

FIG. 5 is a front side elevation view of a rifle magazine showing my new design;

FIG. 6 is a bottom view of a rifle magazine showing my new design; and,

FIG. 7 is a top view of a rifle magazine showing my new design.

The broken line showing portions of the rifle magazine is included for the purpose of illustrating environment and forms no part of the claimed design.

1 Claim, 4 Drawing Sheets

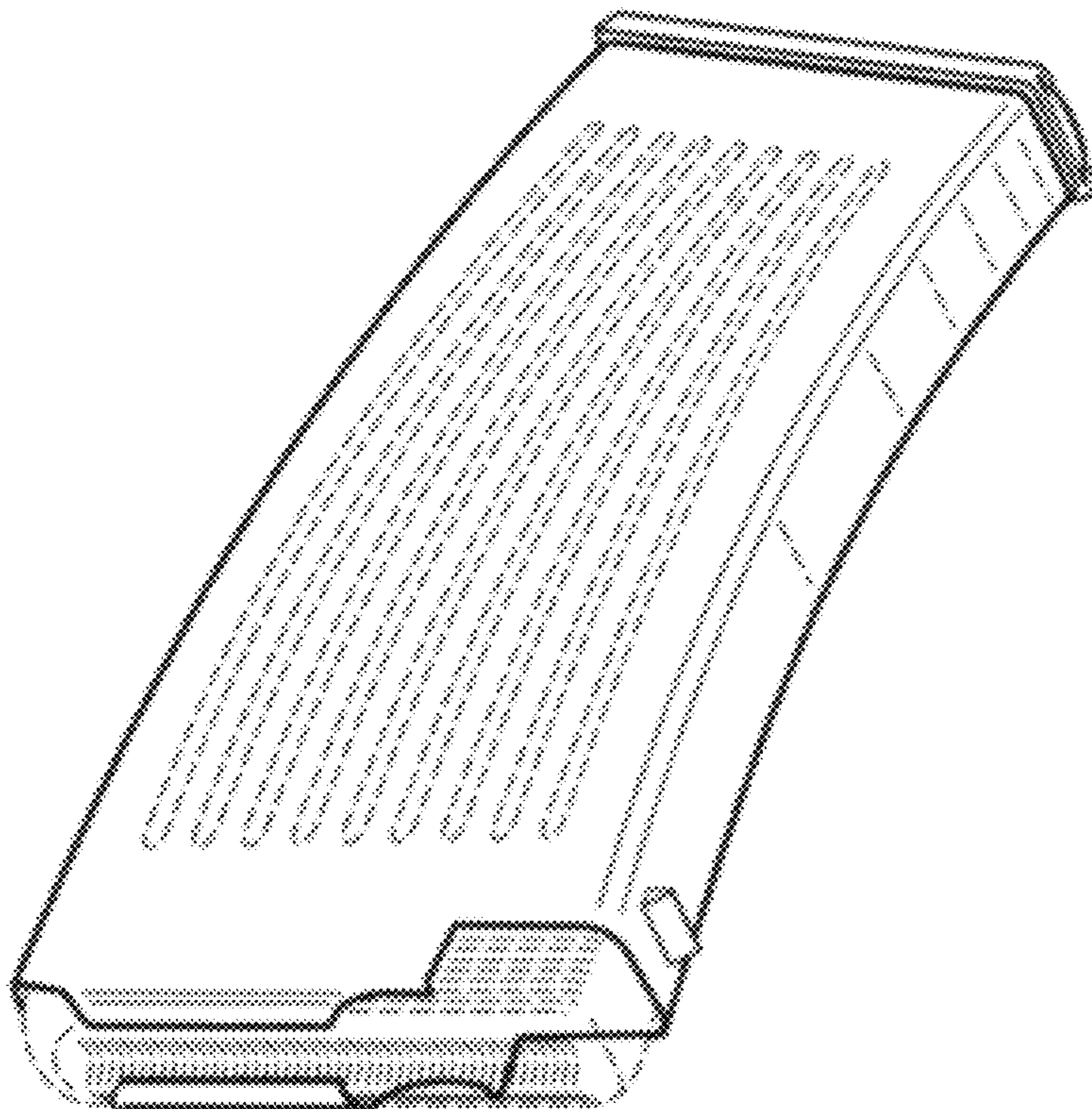


Fig. 1

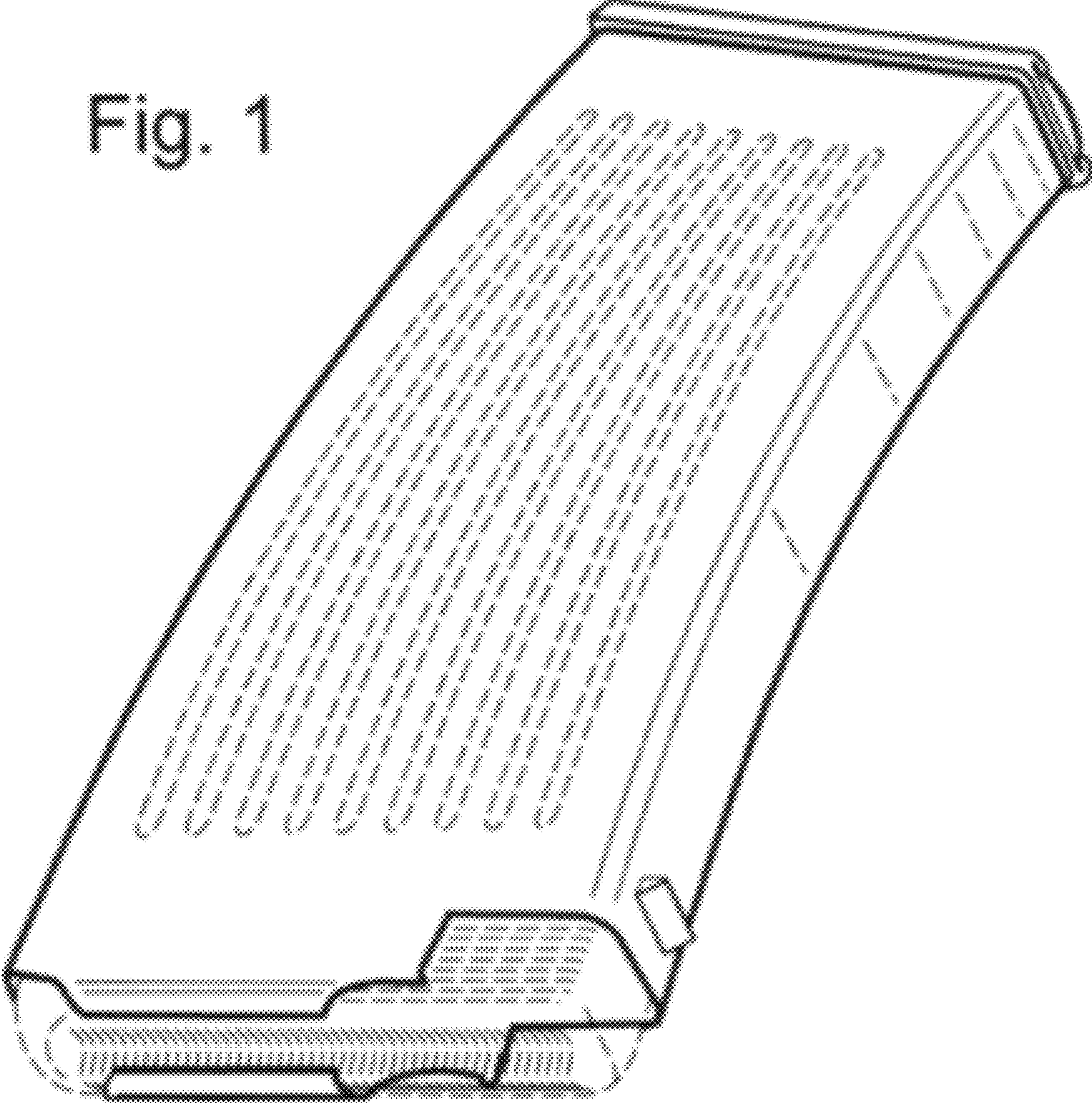


Fig. 2

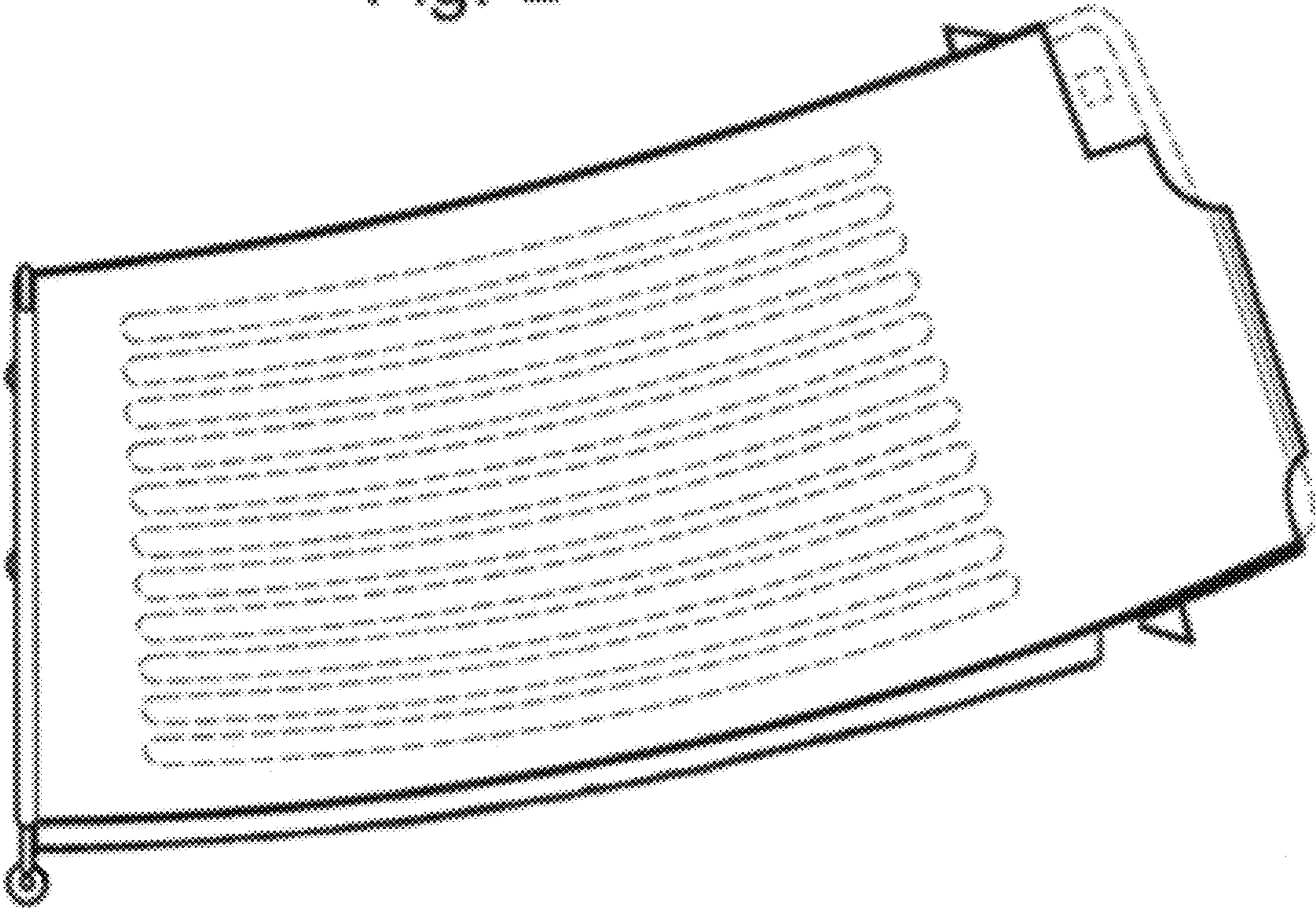
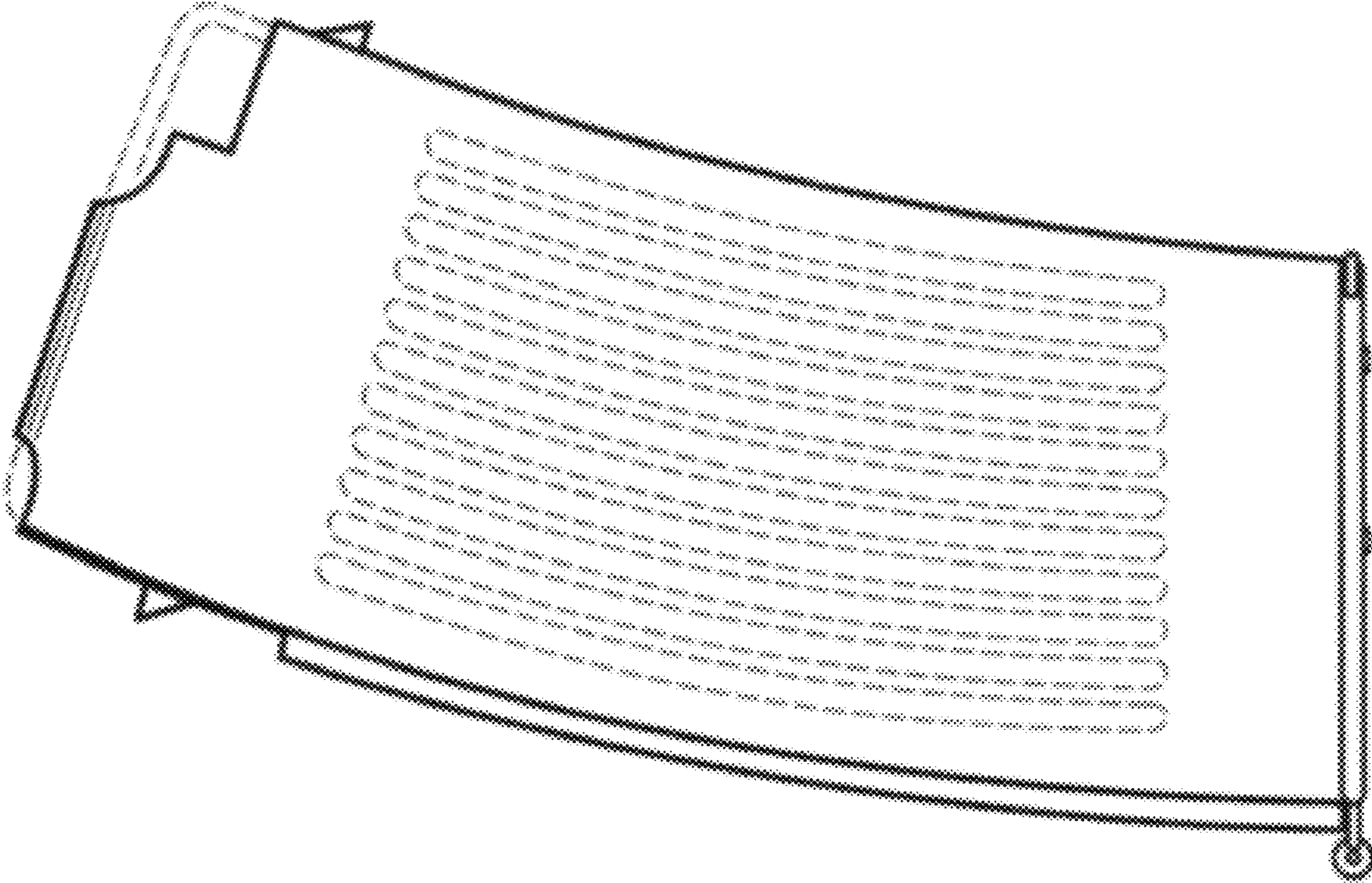


Fig. 3



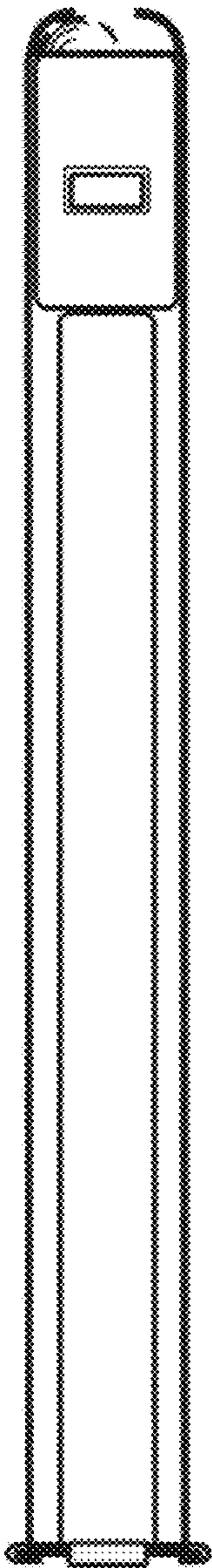


Fig. 4

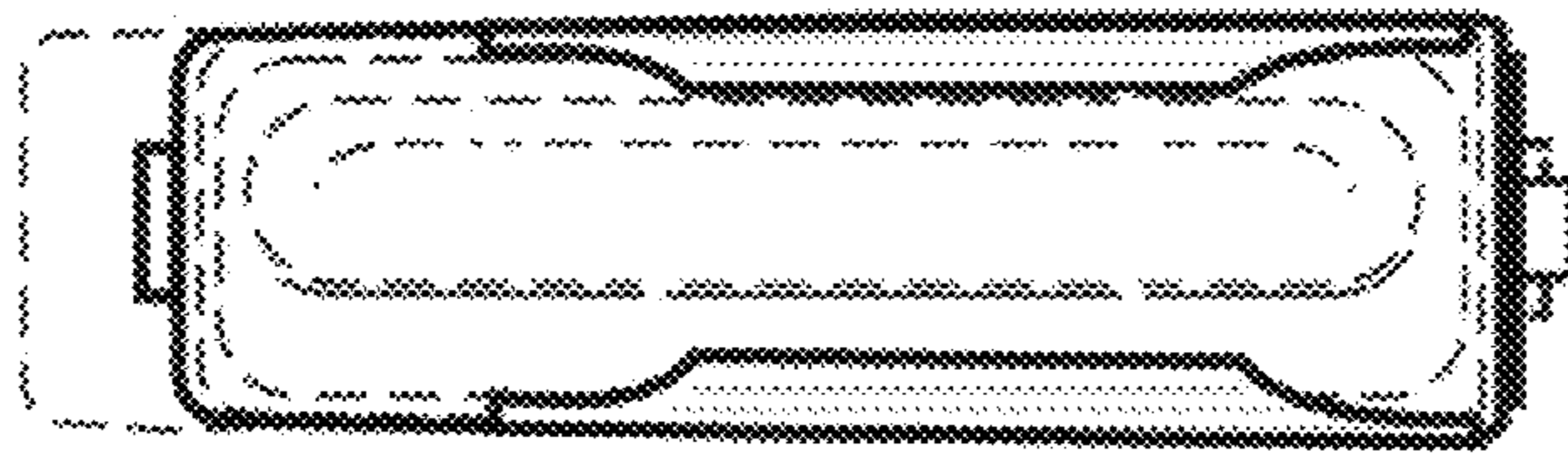


Fig. 6

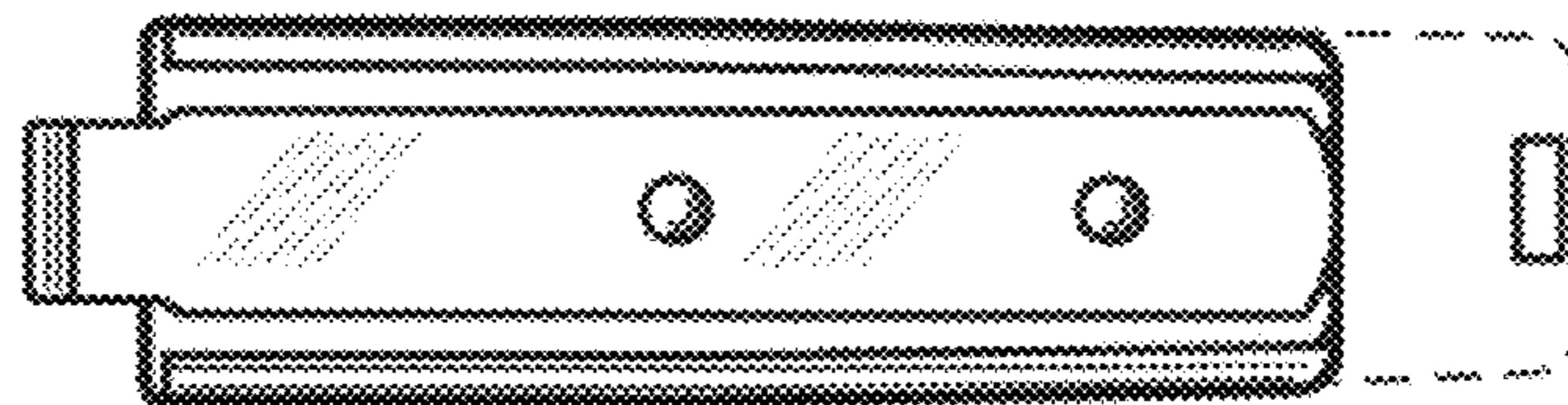


Fig. 7

Fig. 5

