



US00D678454S

(12) **United States Design Patent**
Emde et al.

(10) **Patent No.:** **US D678,454 S**
(45) **Date of Patent:** **** Mar. 19, 2013**

(54) **HANDGUN**
(76) Inventors: **Dietmar Emde**, Arnsberg (DE);
Michael Swoboda, Möhnesee (DE)
(**) Term: **14 Years**
(21) Appl. No.: **29/405,310**
(22) Filed: **Nov. 1, 2011**

(30) **Foreign Application Priority Data**
Sep. 19, 2011 (DE) 40 2011 006 206
(51) **LOC (9) Cl.** **22-01**
(52) **U.S. Cl.** **D22/104**
(58) **Field of Classification Search** D22/100,
D22/101, 103, 104, 108, 199; D21/572,
D21/573; 42/51, 71.01, 75.01, 75.02, 90,
42/94, 134, 136, 139, 125, 72, 111; 362/110;
33/241, 277; 313/105 R; 89/40.06, 41.19,
89/37.04, 33.04, 191.01, 200-204; 124/67,
124/66, 72, 74
See application file for complete search history.

(56) **References Cited**
U.S. PATENT DOCUMENTS
1,463,160 A * 7/1923 Fairbanks 42/41
D121,317 S * 7/1940 Dimick D22/104
D225,847 S * 1/1973 Lichtman D22/104
D251,913 S * 5/1979 Romano D22/104
4,155,187 A * 5/1979 Lichtman 42/11
D263,413 S * 3/1982 Hillberg D22/104
D274,639 S * 7/1984 Seminiano D22/104
4,646,458 A * 3/1987 Stevens 42/46
D400,633 S * 11/1998 Chapman D22/104
D651,275 S * 12/2011 Emde et al. D22/104
2011/0072704 A1 * 3/2011 Teach et al. 42/8

* cited by examiner

Primary Examiner — Michael A Pratt
(74) *Attorney, Agent, or Firm* — Michael Soderman

(57) **CLAIM**
The ornamental design for a handgun, as shown.

DESCRIPTION

FIG. 1 is a side view of the first embodiment of the handgun showing our new design;

FIG. 2 is a side view thereof;
FIG. 3 is a rear view thereof;
FIG. 4 is a front view thereof;
FIG. 5 is a top view thereof;
FIG. 6 is a bottom view thereof;
FIG. 7 is a view of the second embodiment showing the front and side;
FIG. 8 is a view of the second embodiment showing the top and rear thereof;
FIG. 9 is a view of the second embodiment showing the bottom and the side thereof;
FIG. 10 is a view of the second embodiment showing the front and side thereof;
FIG. 11 is a view of the second embodiment showing the front and side of the handgun with a tilted barrel;
FIG. 12 is a view of the second embodiment showing the top and rear of the handgun with a tilted barrel;
FIG. 13 is a view of the second embodiment showing the bottom and side of the handgun with a tilted barrel;
FIG. 14 is a view of the second embodiment showing the bottom and side of the handgun with a tilted barrel;
FIG. 15 is a view of the second embodiment showing the side of the handgun with a tilted barrel;
FIG. 16 is a view of the second embodiment showing the bottom and side of the handgun with a tilted barrel;
FIG. 17 is a view of the second embodiment showing the side of the handgun with a tilted barrel;
FIG. 18 is a view of the second embodiment showing the bottom of the handgun with a tilted barrel;
FIG. 19 is a view of the second embodiment showing the top rear of the handgun with a tilted barrel;
FIG. 20 is a view of the second embodiment showing the rear of the handgun with a tilted barrel;
FIG. 21 is a view of the second embodiment showing the top of the handgun with a tilted barrel;
FIG. 22 is a view of the second embodiment showing the side of the handgun with a tilted barrel;
FIG. 23 is a view of the first embodiment showing the rear and side of the handgun with a tilted barrel; and,
FIG. 24 is a view of the first embodiment showing the side of the handgun with a tilted barrel.
The broken lines in FIGS. 11-17, 19, 20, 21 and 22 are included for the purpose of illustrating a portion of the handgun that forms no part of the claimed design.

1 Claim, 24 Drawing Sheets

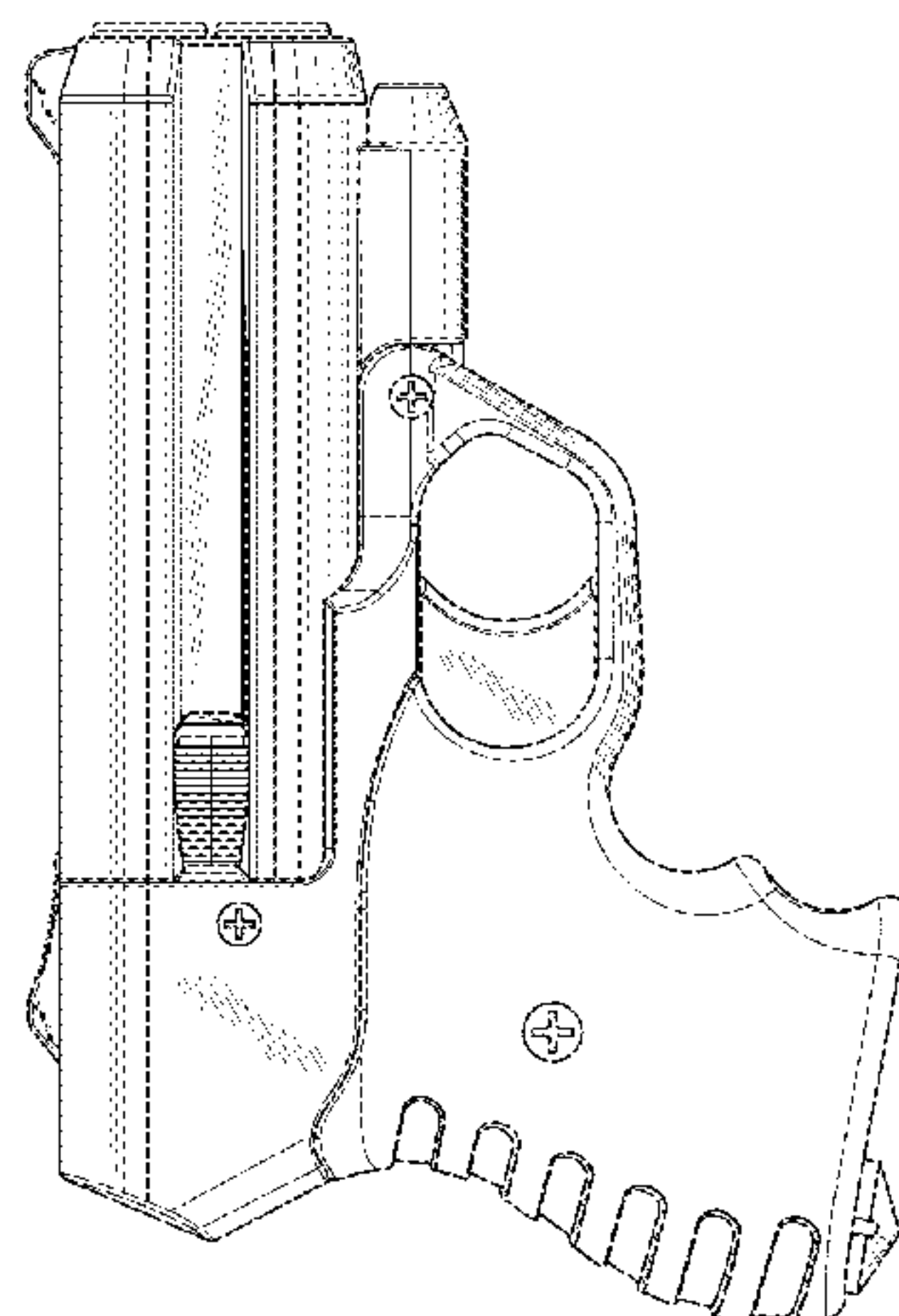


Fig. 1

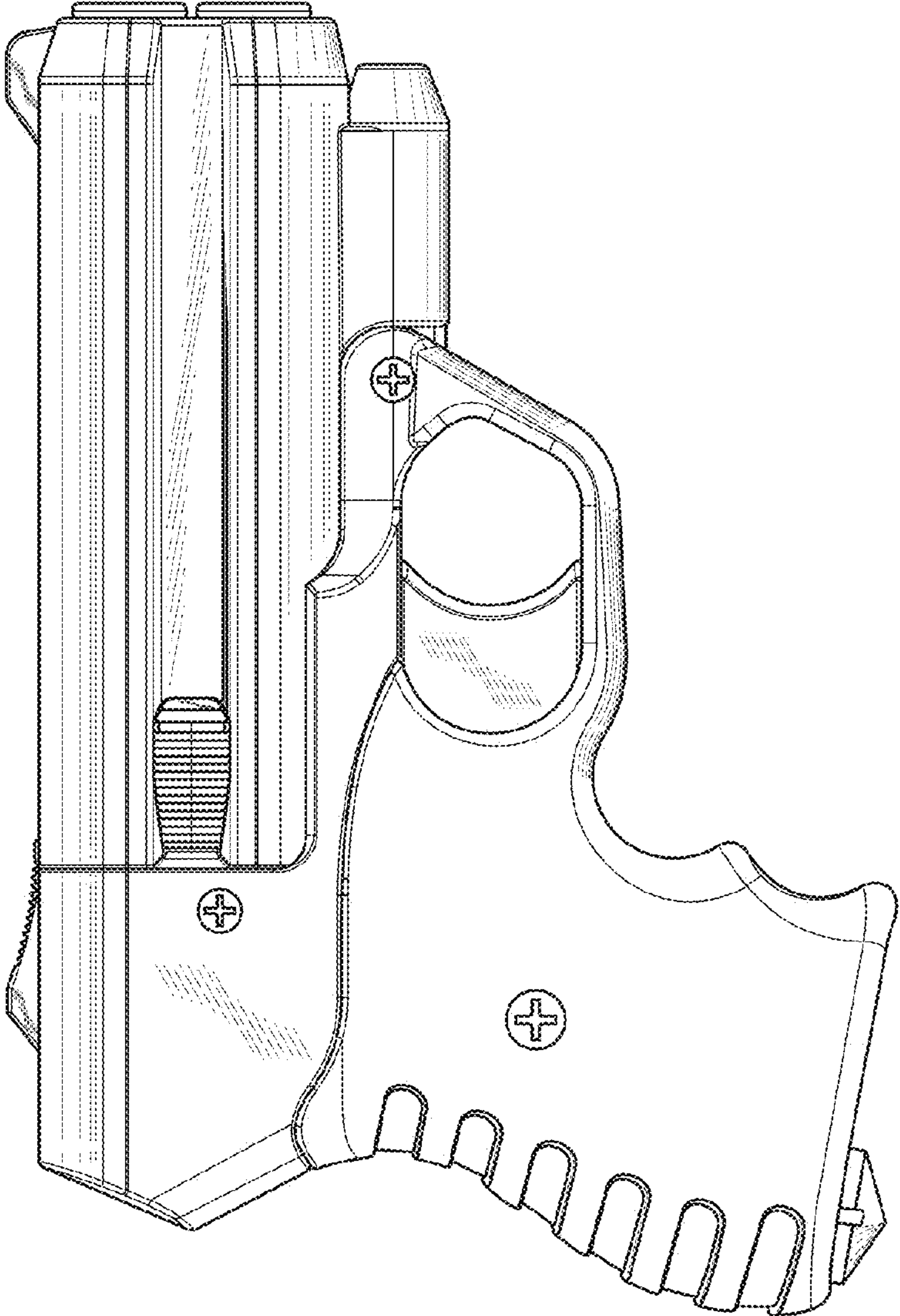


Fig. 2

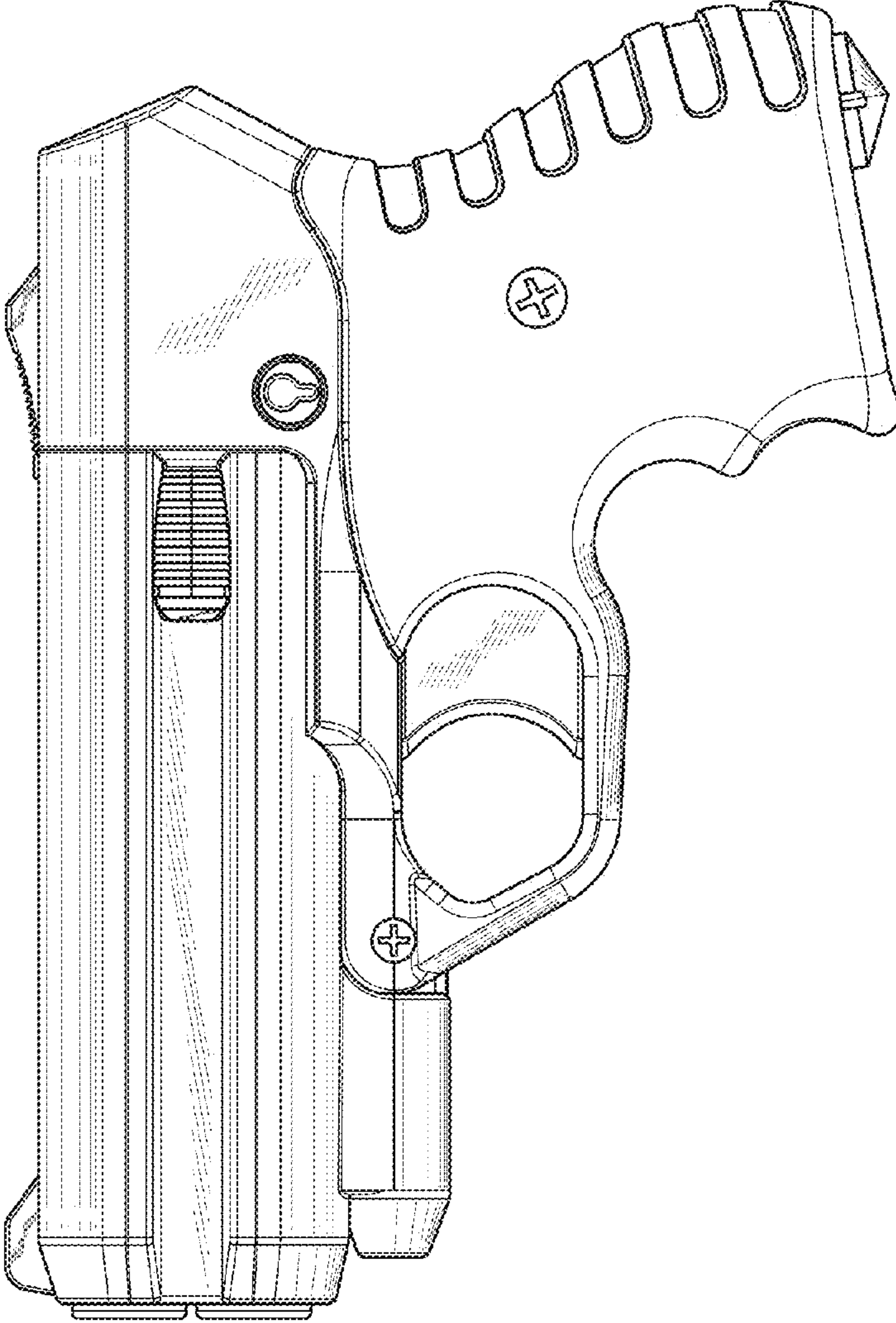


Fig. 3

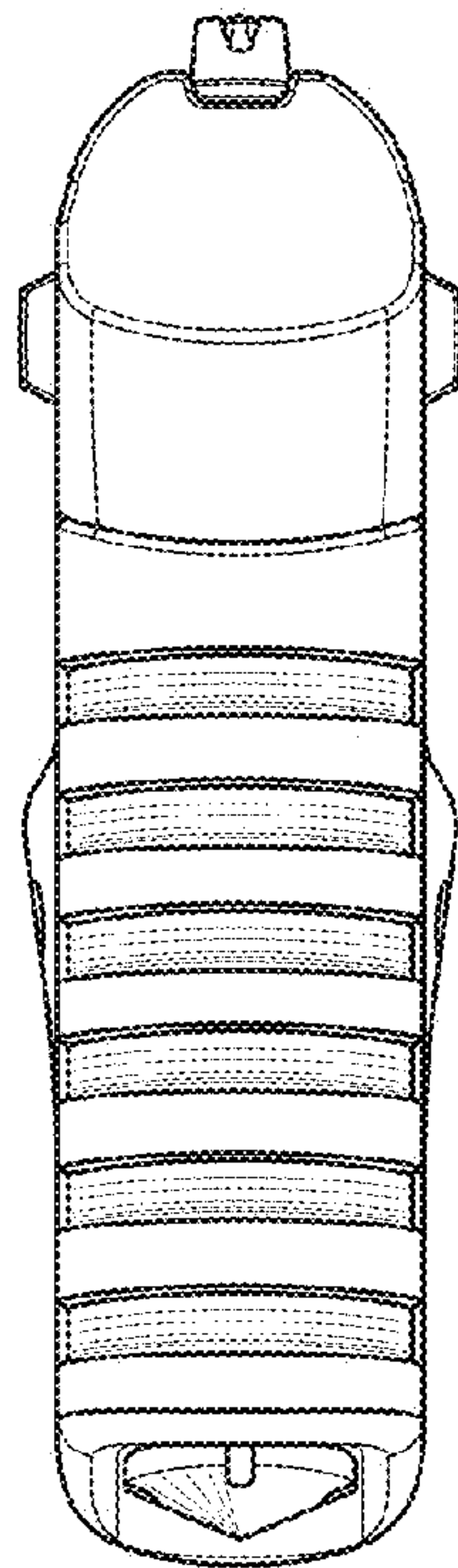


Fig. 4

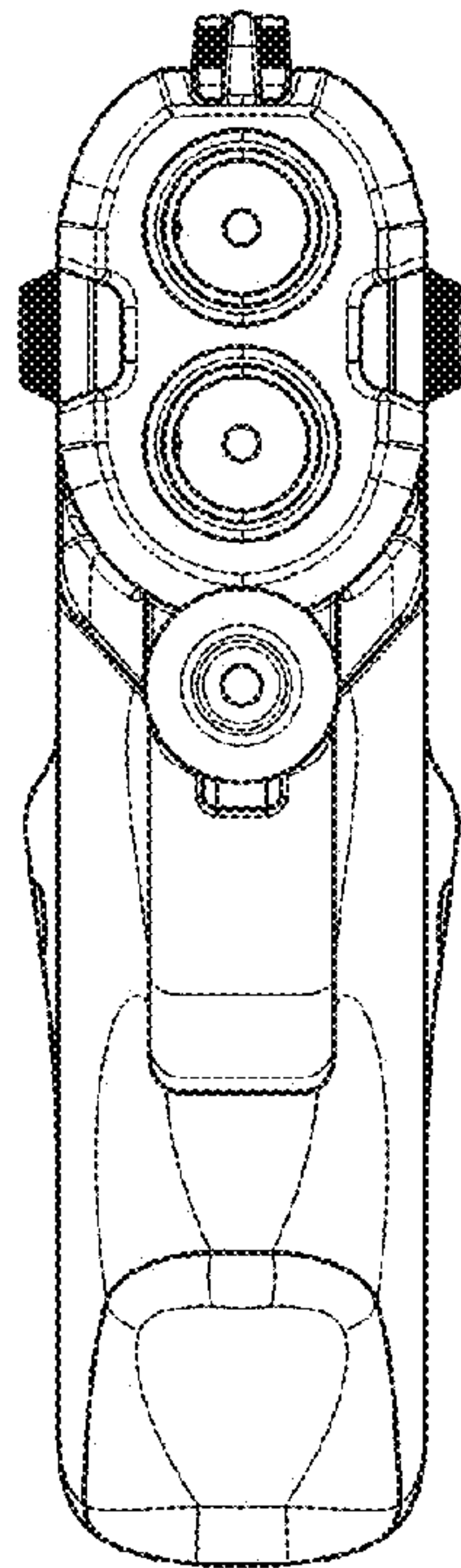


Fig. 5

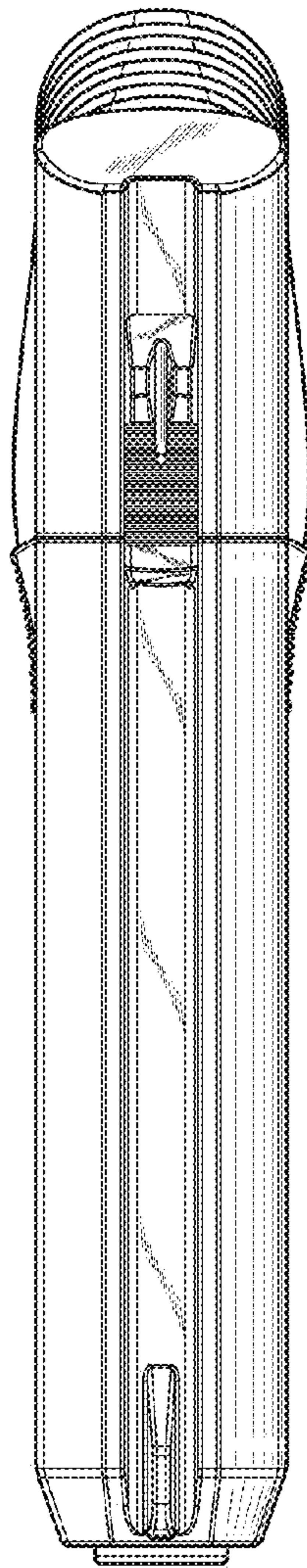


Fig. 6

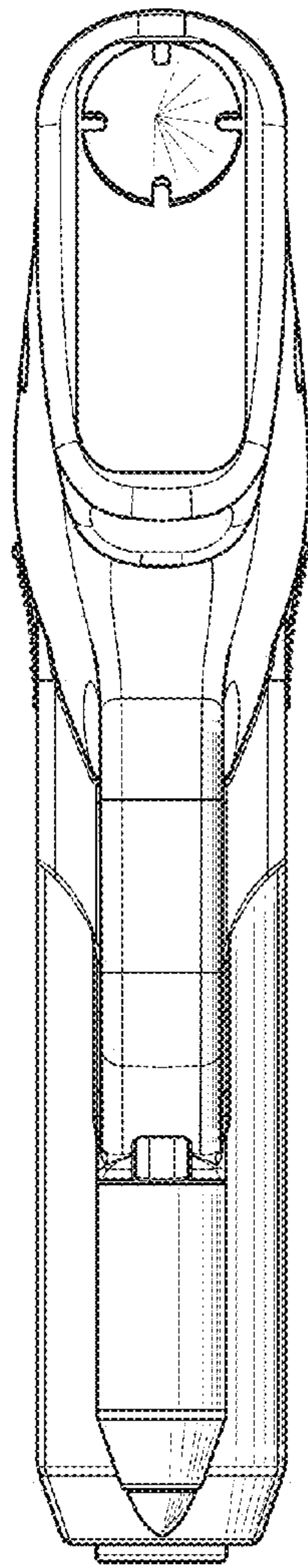


Fig. 7

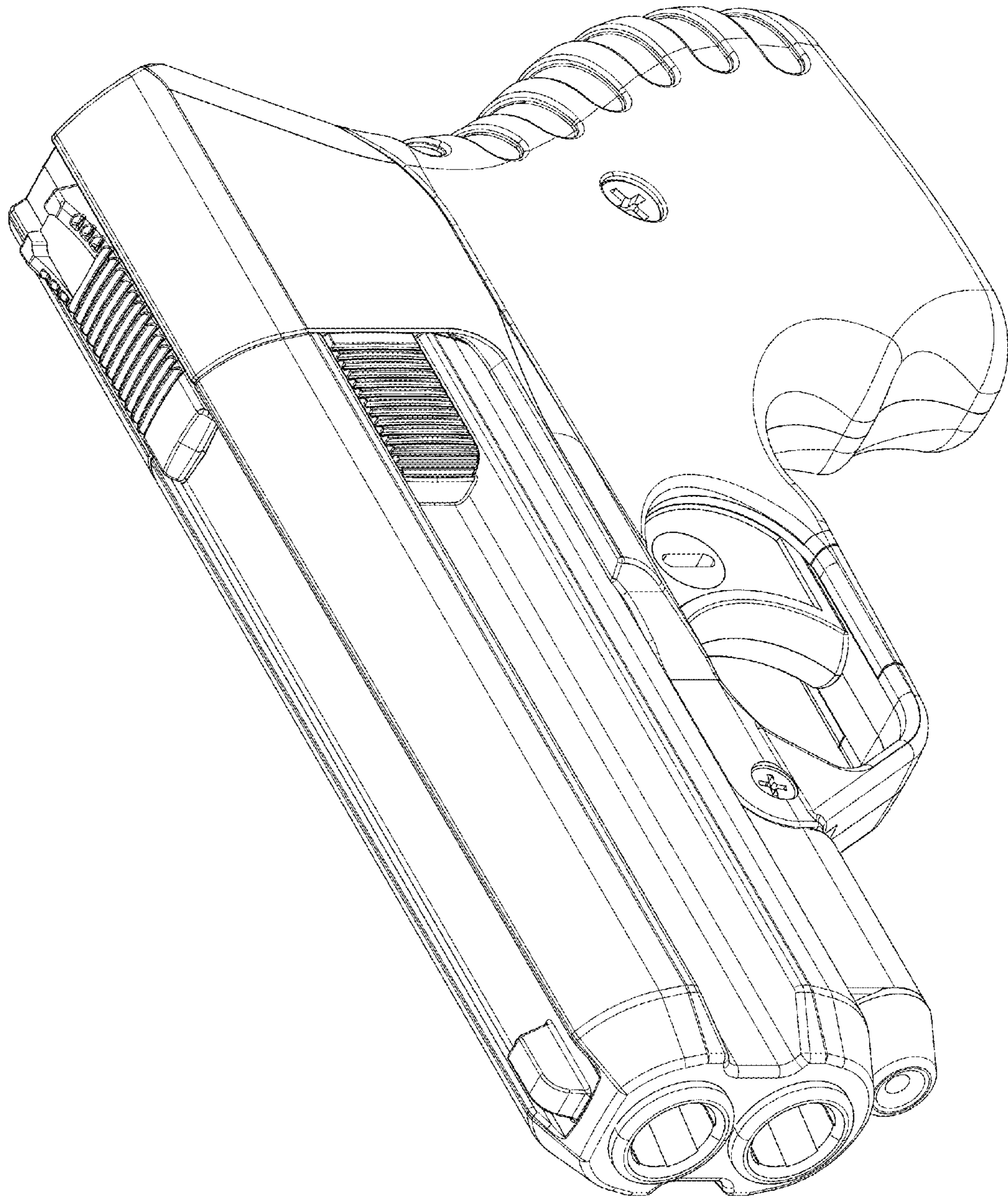


Fig. 8

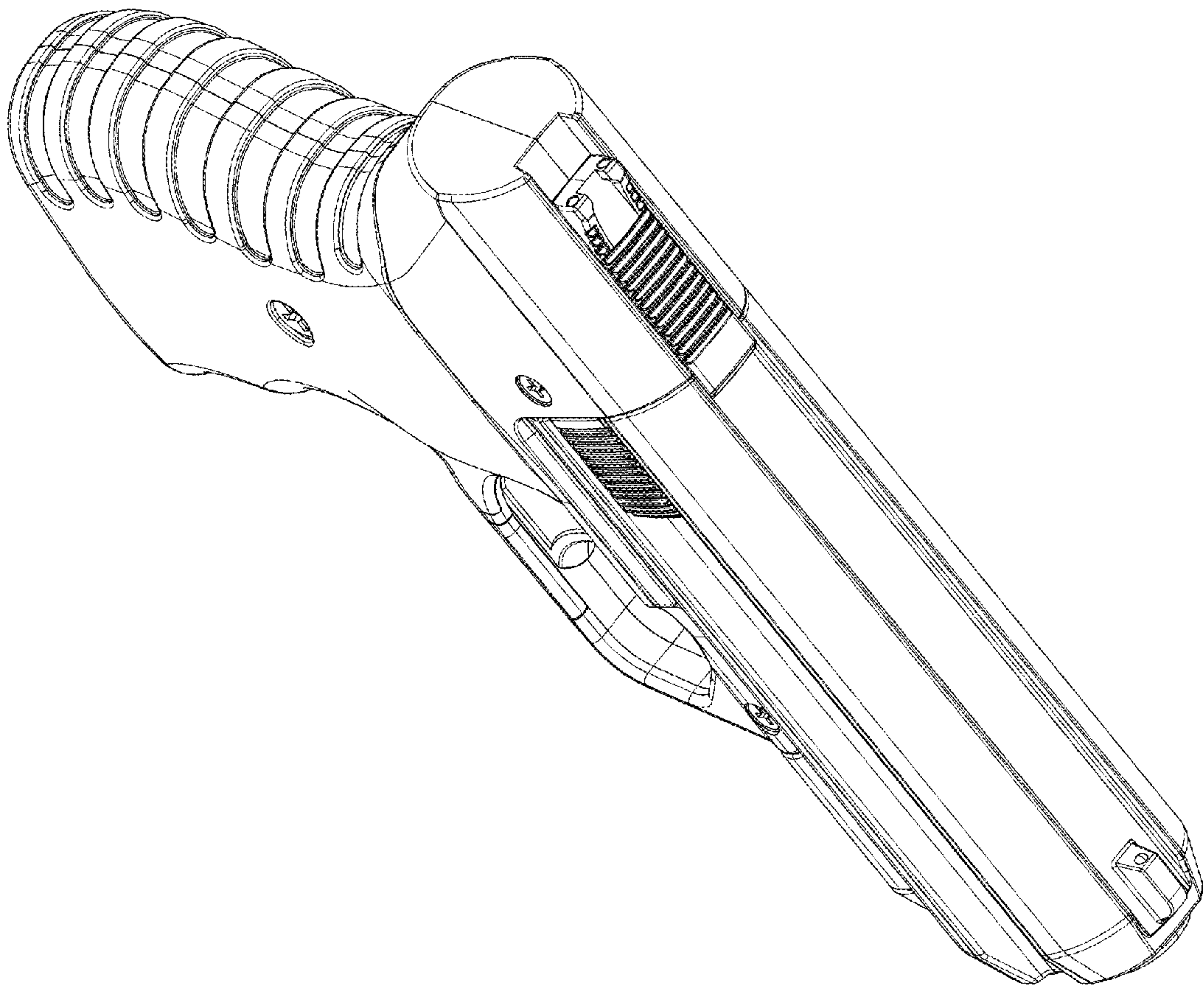


Fig. 9

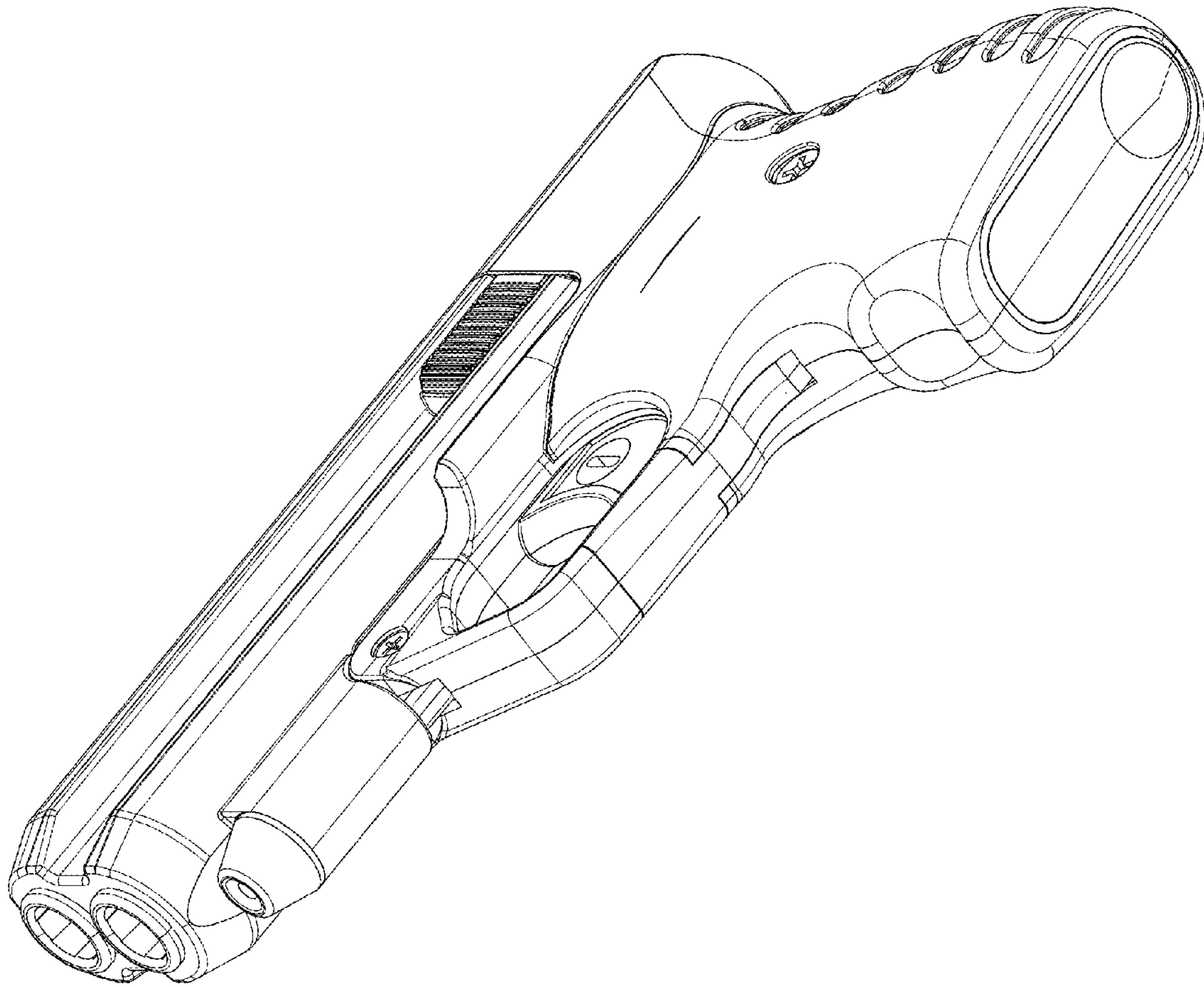


Fig. 10

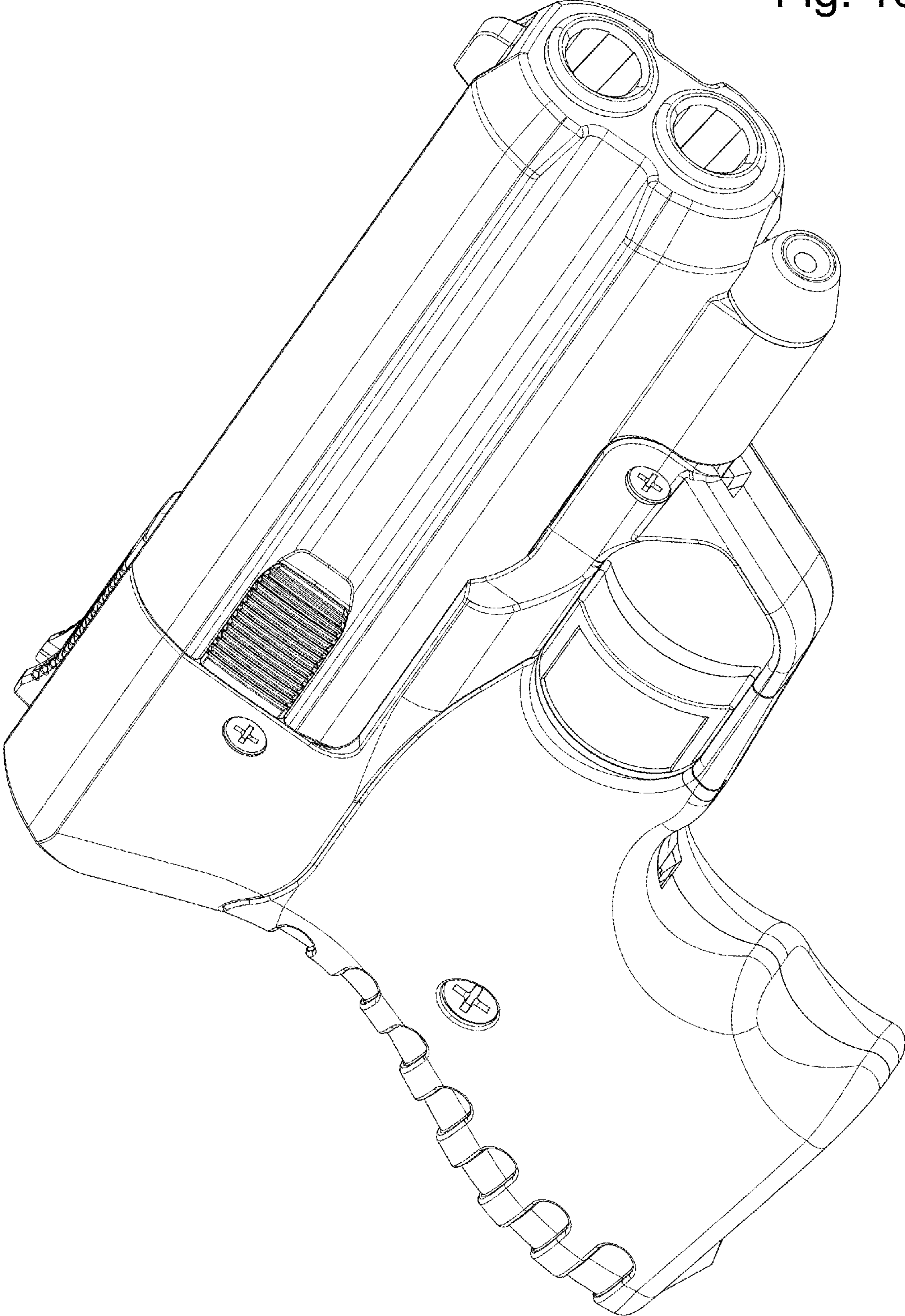


Fig. 11

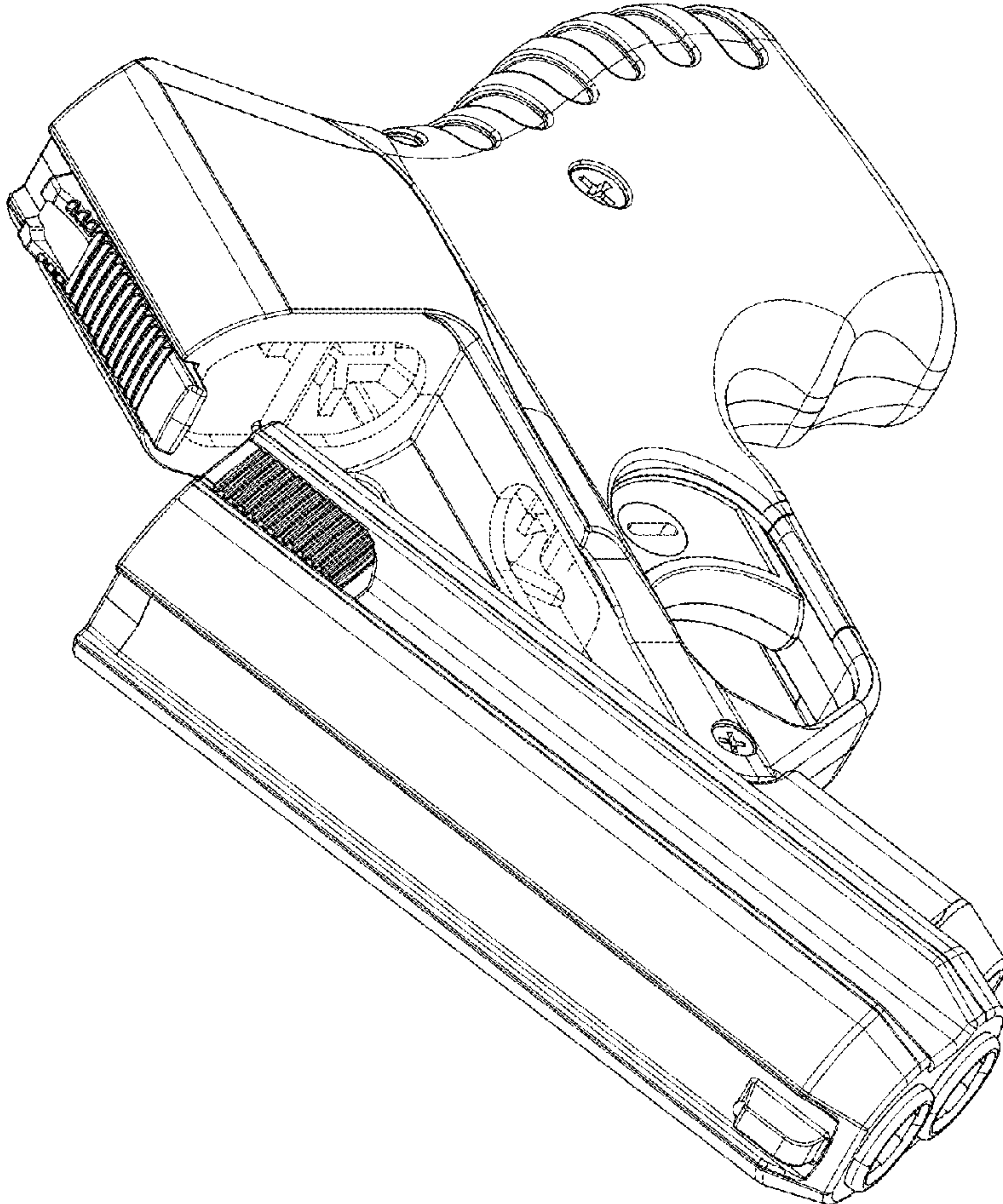


Fig. 12

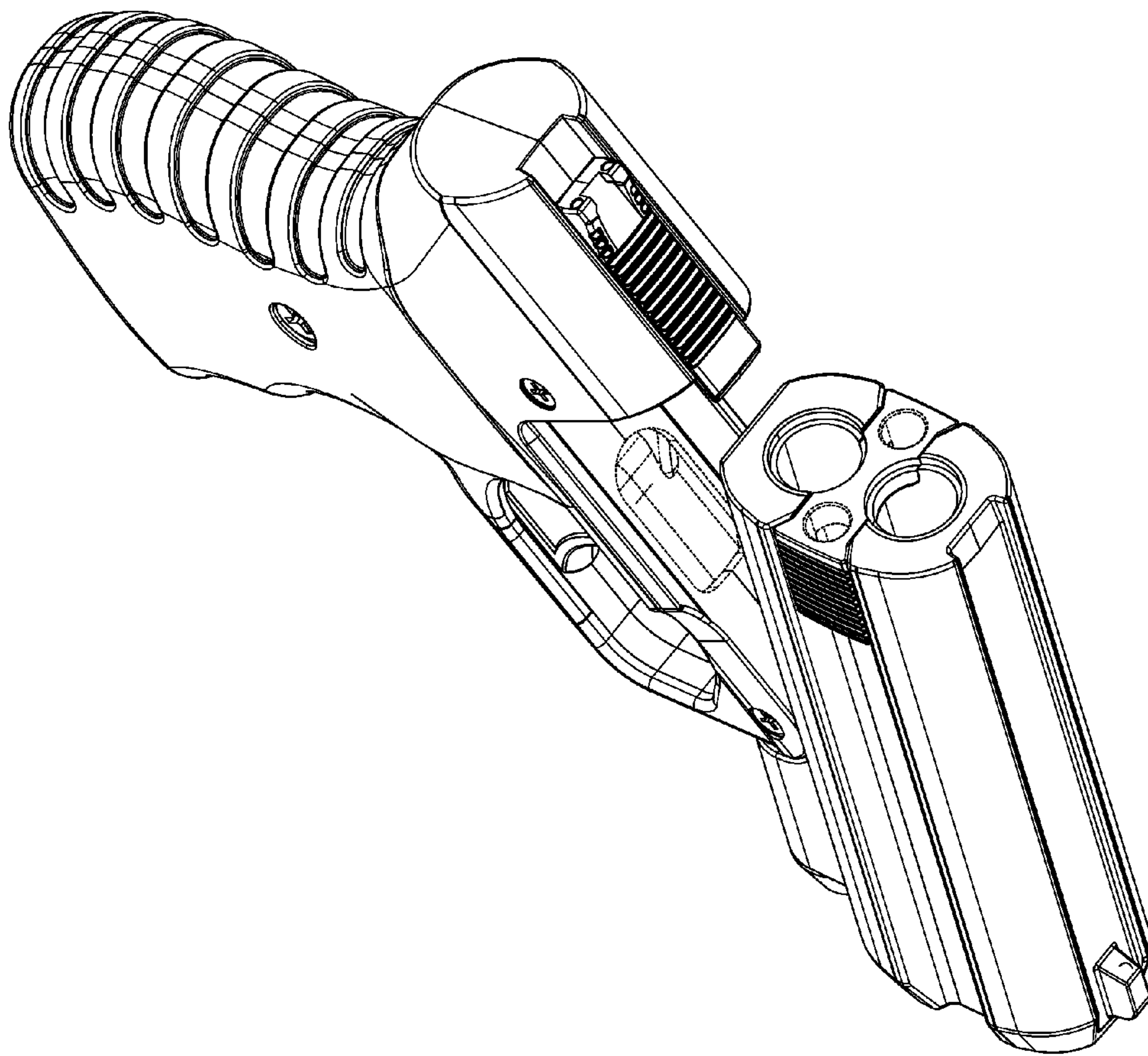


Fig. 13

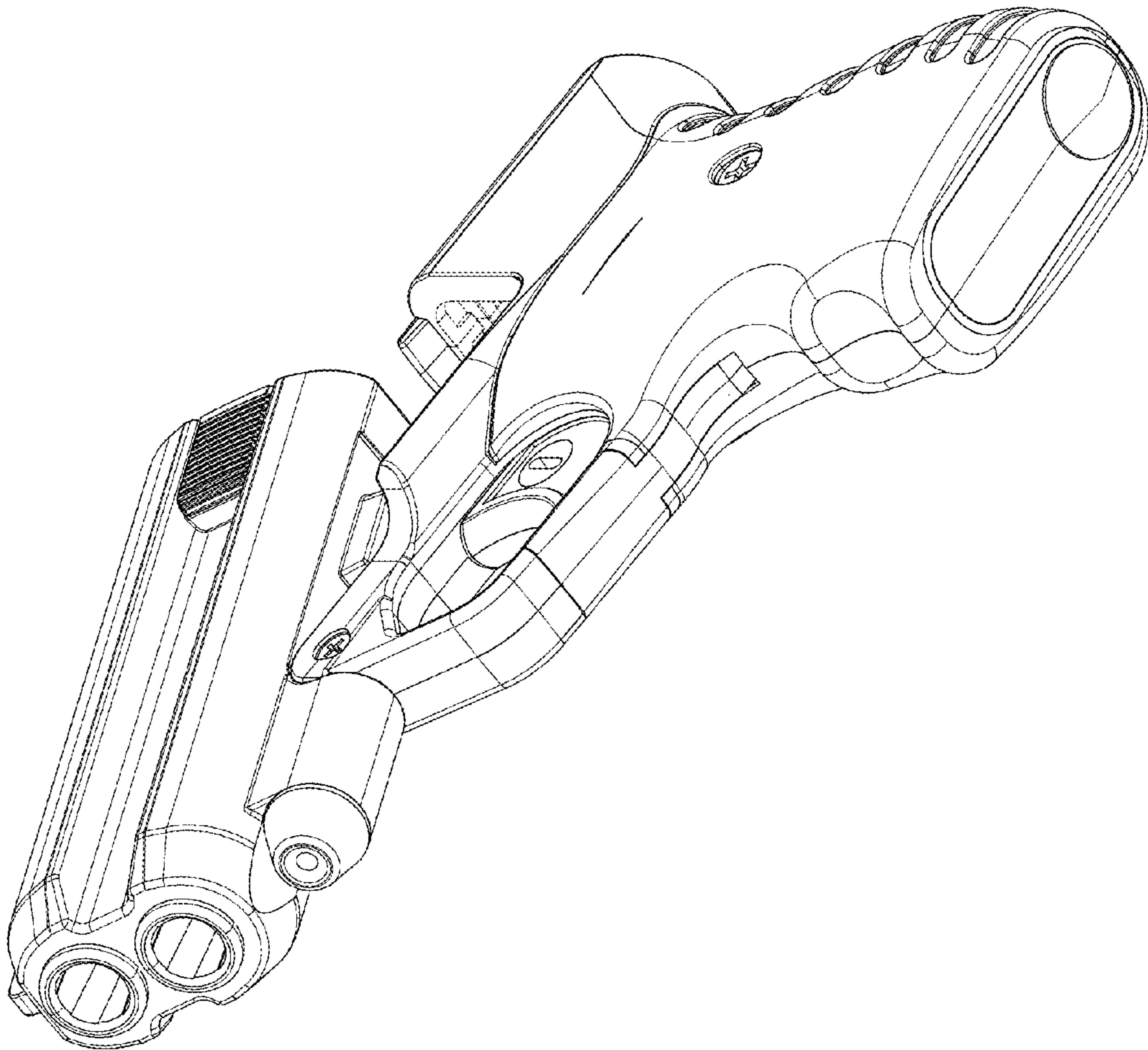


Fig. 14

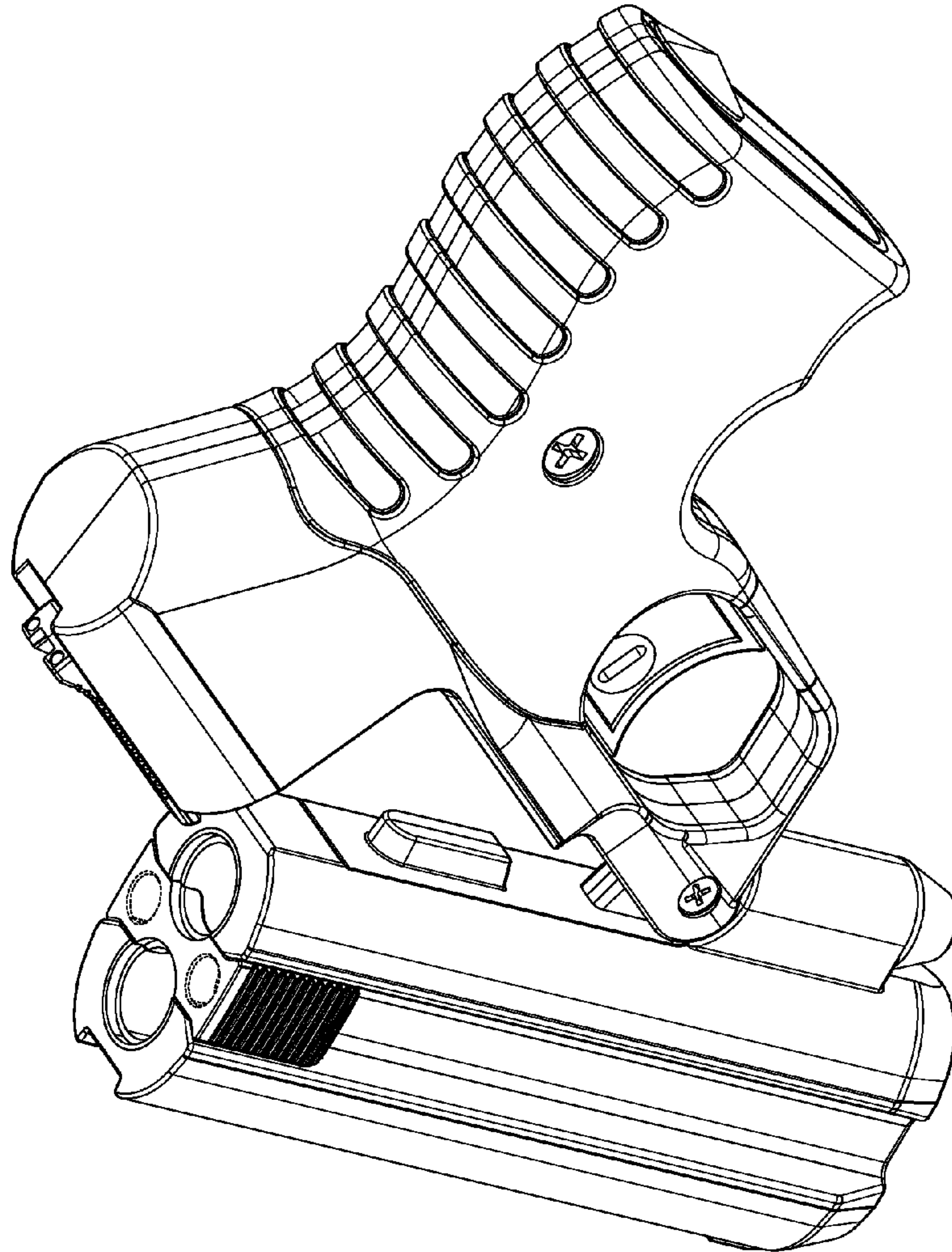


Fig. 15

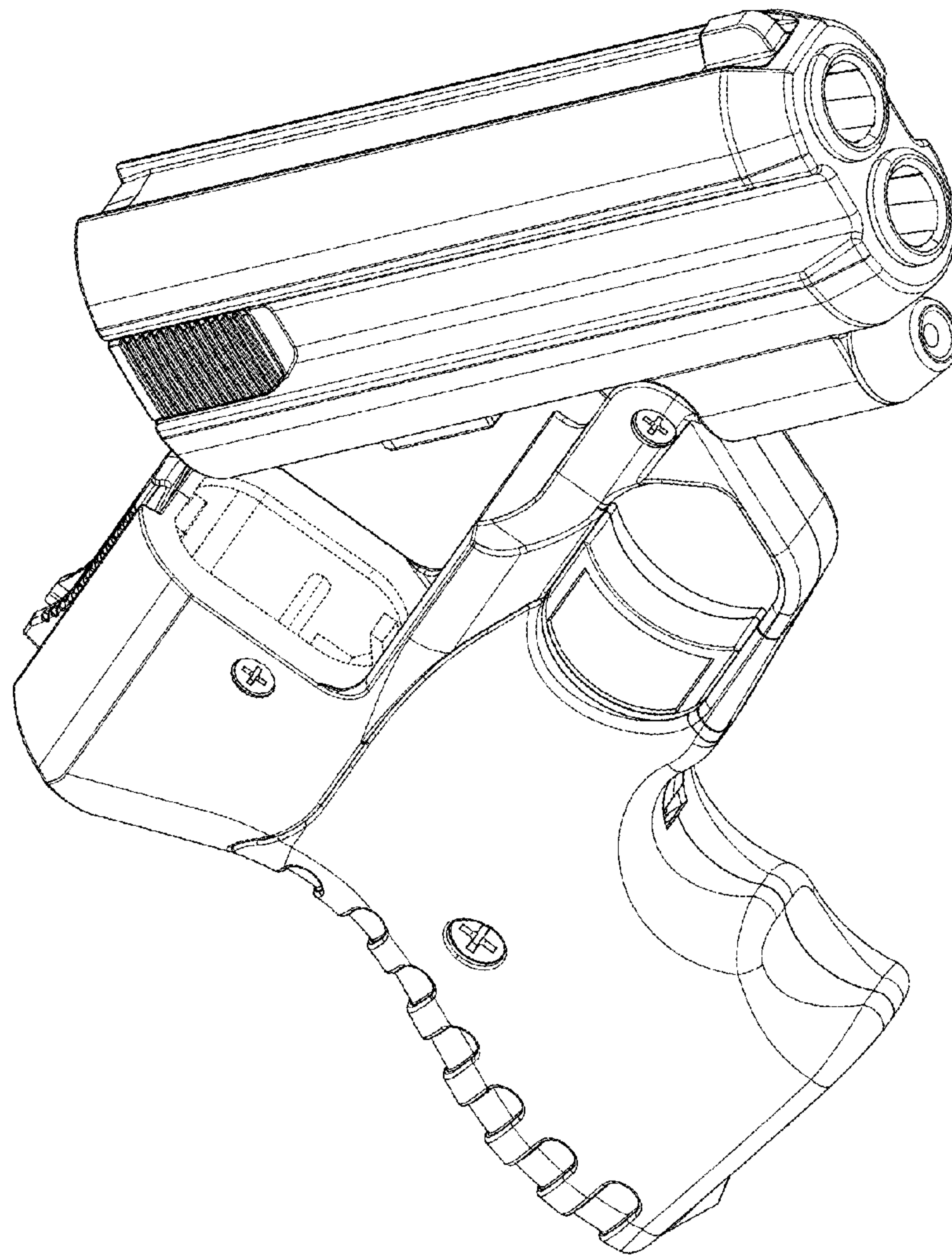


Fig. 16

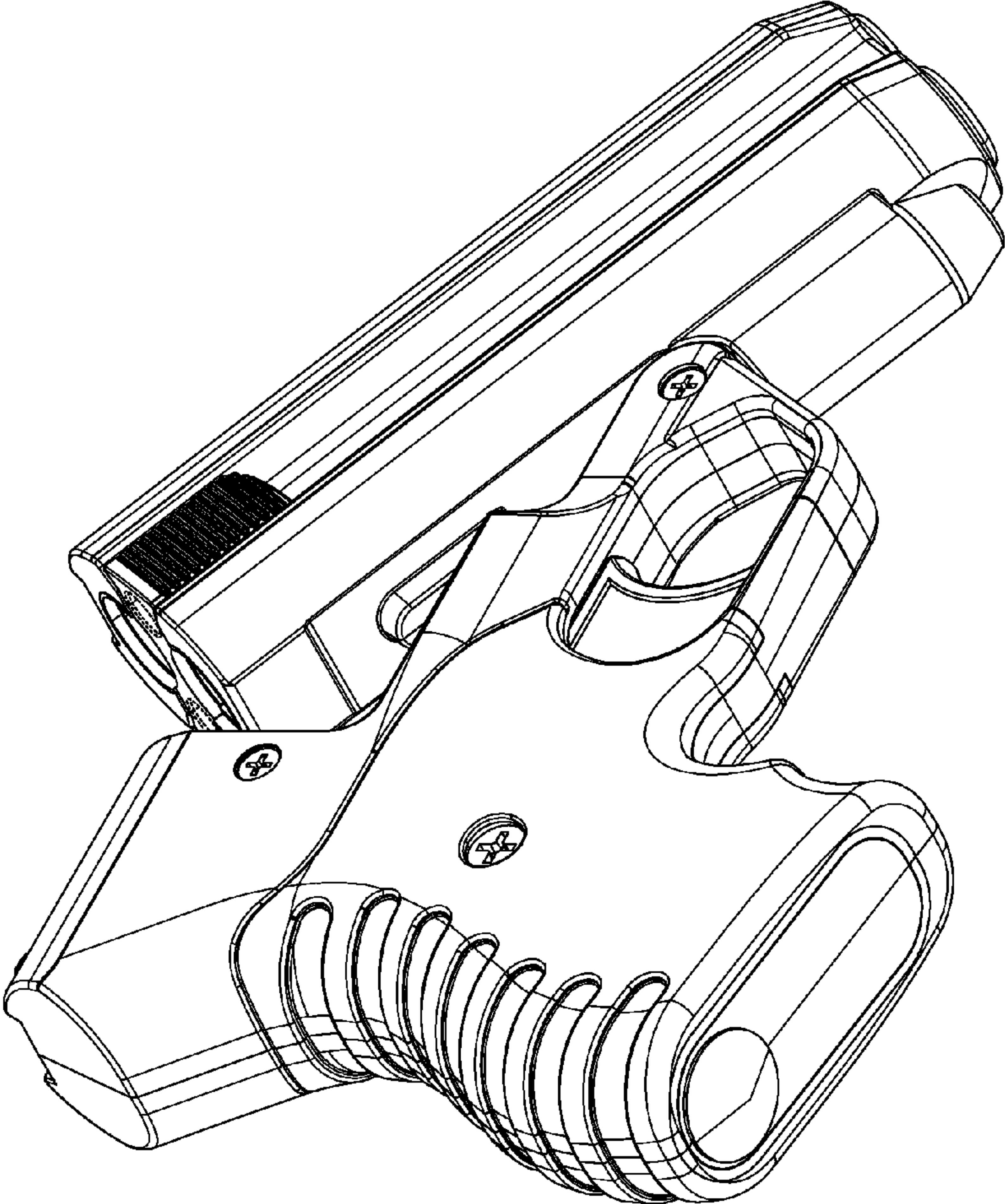


Fig. 17

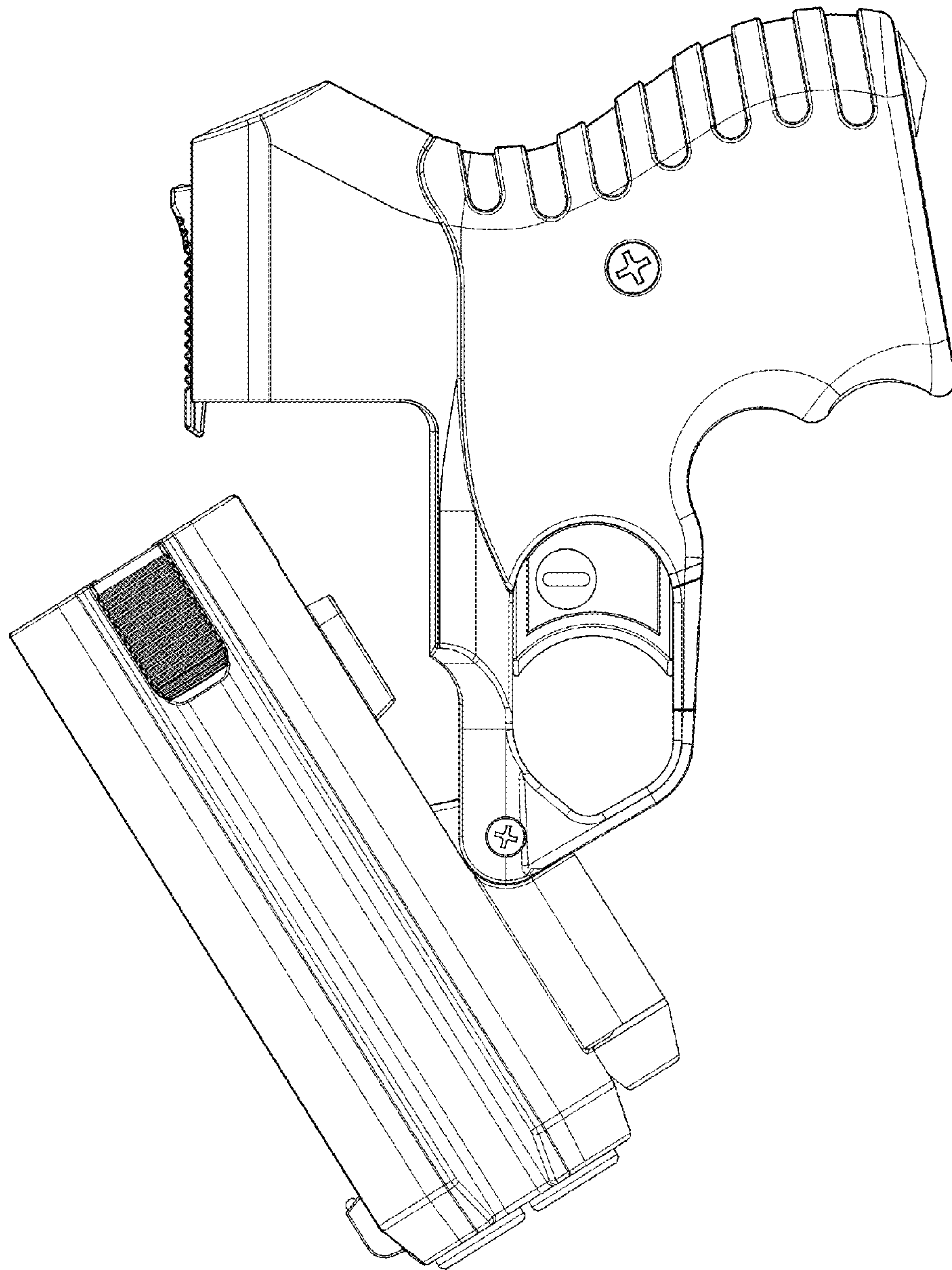


Fig. 18

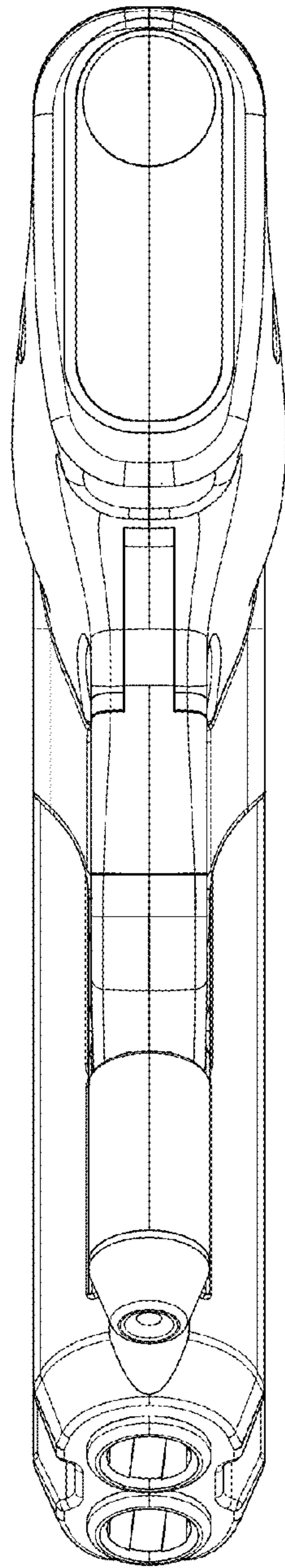


Fig. 19

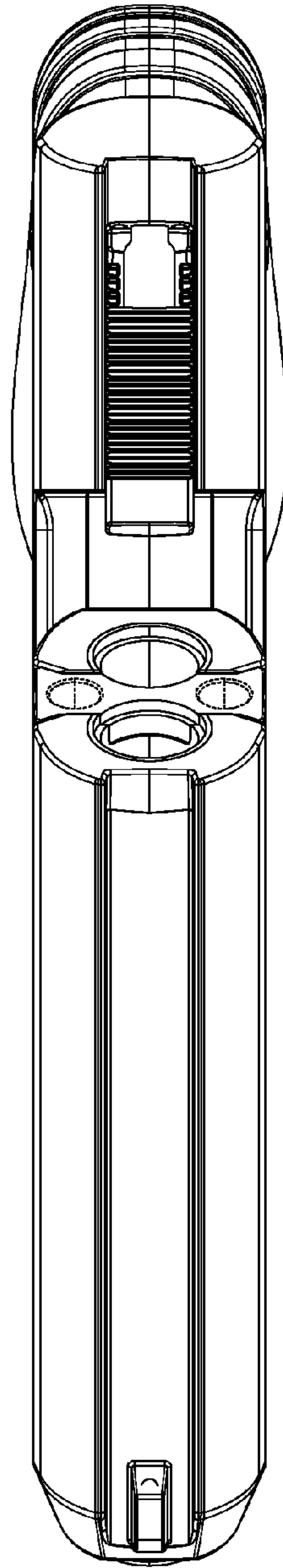


Fig. 20

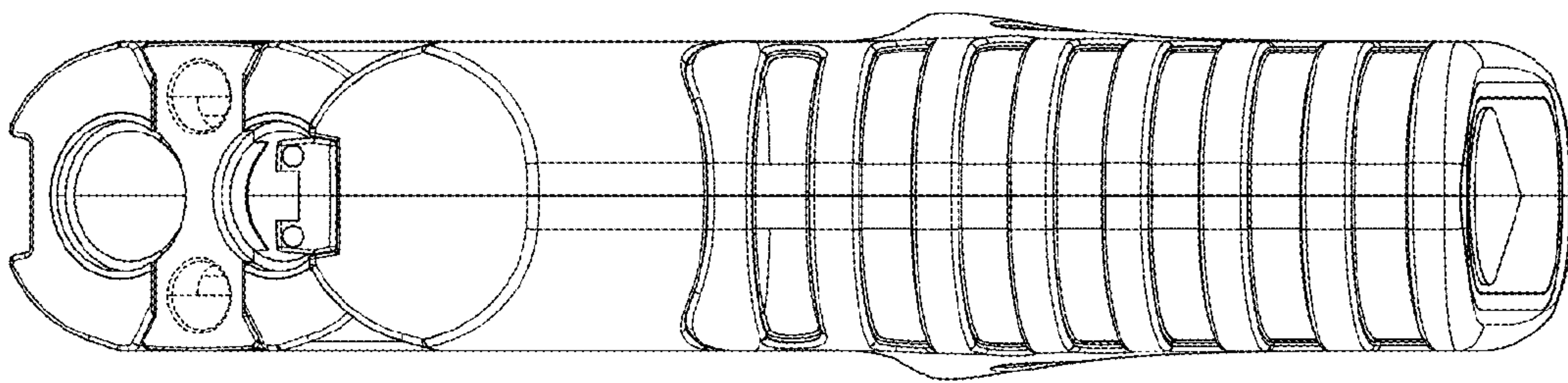


Fig. 21

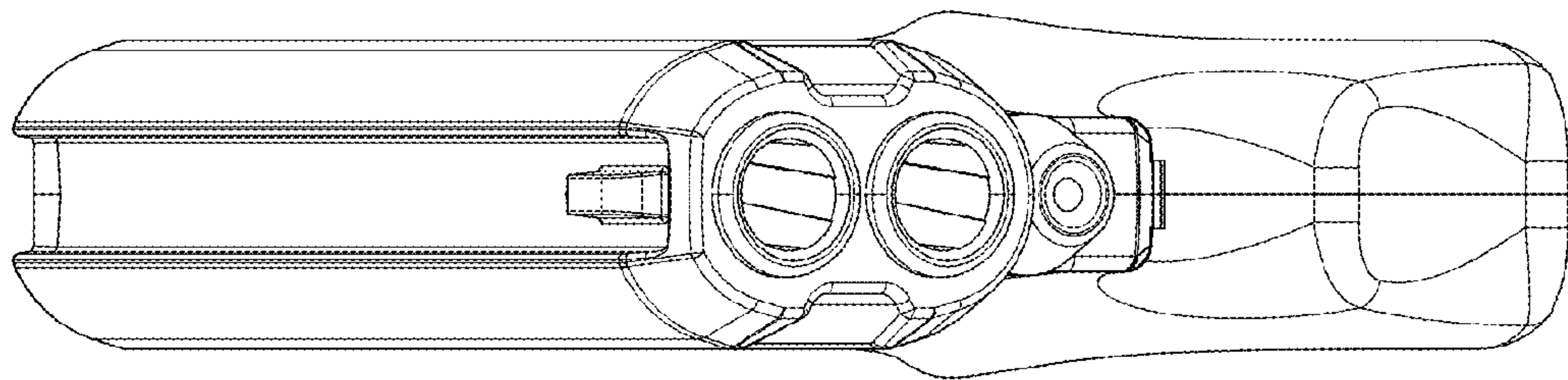


Fig. 22

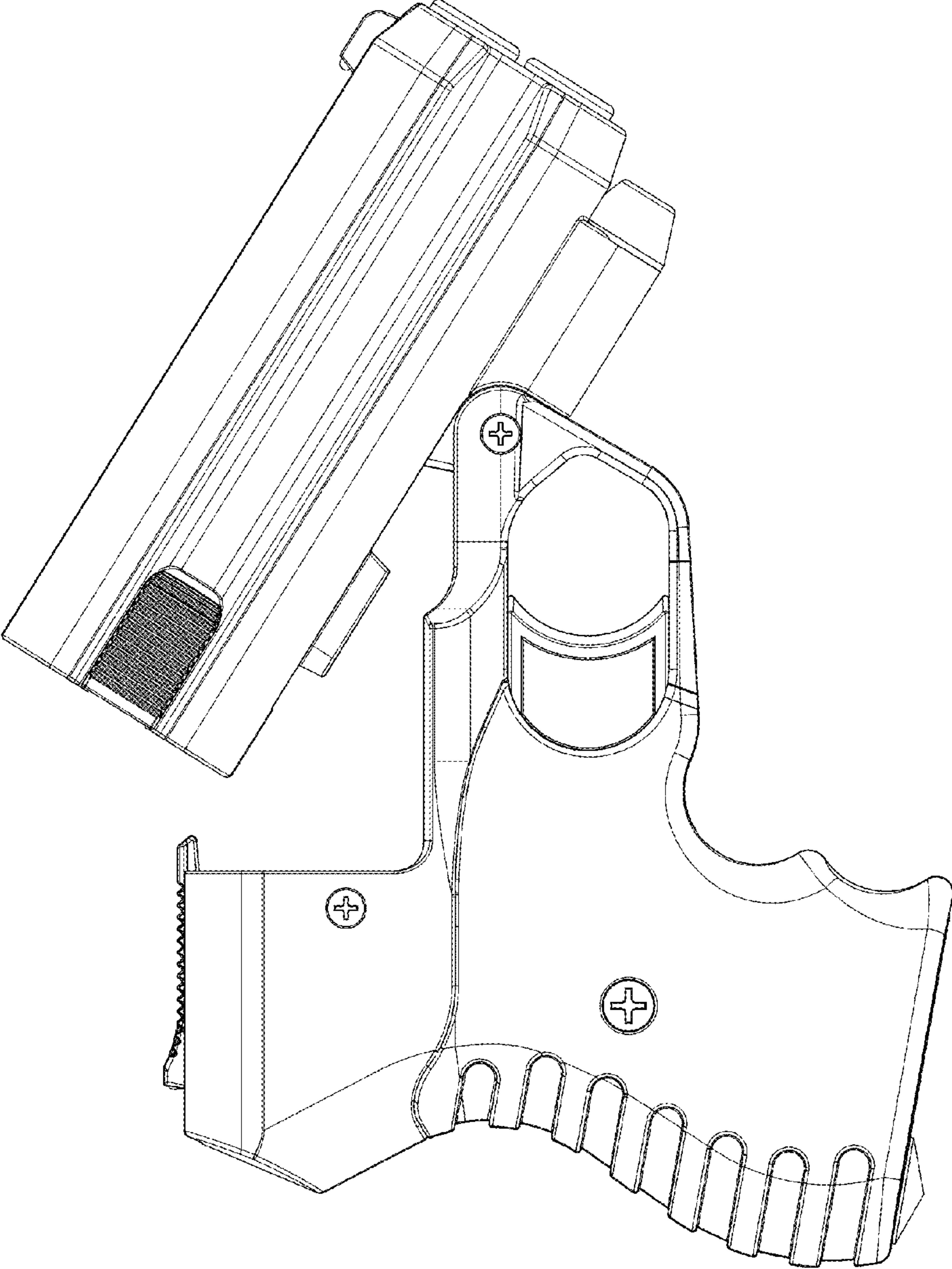


Fig. 23

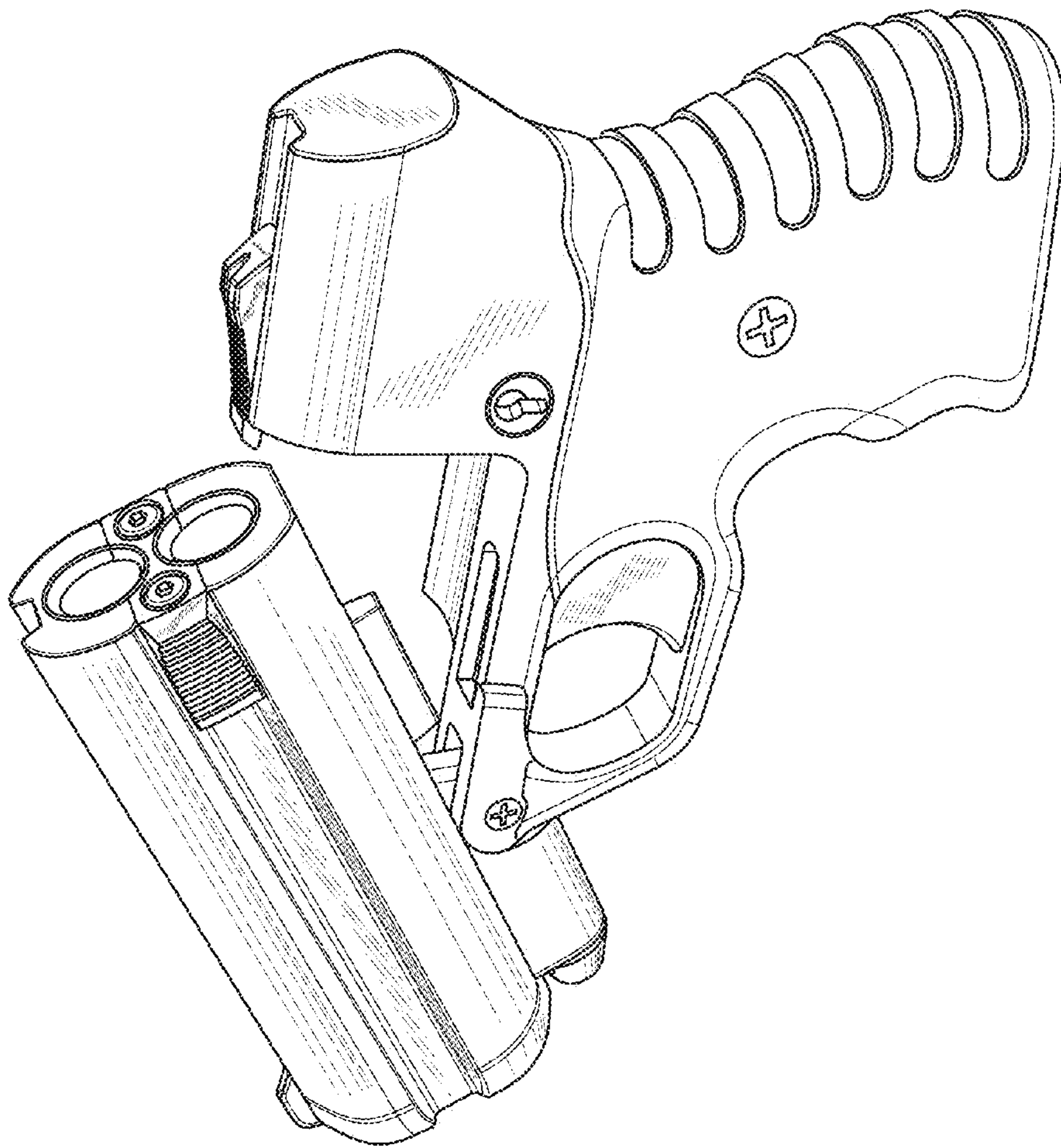


Fig. 24

