



US00D678453S

(12) **United States Design Patent**
Klotz

(10) **Patent No.:** **US D678,453 S**
(45) **Date of Patent:** **** Mar. 19, 2013**

(54) **RIFLE**
(75) Inventor: **Matthias Klotz**, Gestratz (DE)
(73) Assignee: **Blaser Finanzholding GmbH**, Isny (DE)
(**) Term: **14 Years**
(21) Appl. No.: **29/401,167**
(22) Filed: **Sep. 8, 2011**

D299,673 S * 1/1989 Knight D22/103
D304,223 S * 10/1989 Ruger et al. D22/108
D416,305 S * 11/1999 Ruger et al. D22/103
D454,610 S * 3/2002 McCarthy D22/108
D502,753 S * 3/2005 Bezborodov et al. D22/103
D567,895 S * 4/2008 Cauley D22/108
D614,717 S * 4/2010 Salva D22/108
D620,546 S * 7/2010 Fitzpatrick et al. D22/111
D631,526 S * 1/2011 Torre et al. D22/108
D638,086 S * 5/2011 Salva D22/103
D643,498 S * 8/2011 Burt D22/111
8,176,668 B2 * 5/2012 Simms et al. 42/1.06
8,250,962 B1 * 8/2012 Guenther et al. 89/14.3
2011/0113666 A1 * 5/2011 Latimer 42/74

(30) **Foreign Application Priority Data**
Mar. 8, 2011 (DE) 40 2011 002 516
(51) **LOC (9) Cl.** **22-01**
(52) **U.S. Cl.** **D22/103**
(58) **Field of Classification Search** D22/100-105,
D22/111; D21/572-575; 124/67, 66, 72,
124/74; 89/40.06, 41.19, 37.04, 33.04, 191.01,
89/200-204
See application file for complete search history.

* cited by examiner

Primary Examiner — Michael A Pratt
(74) *Attorney, Agent, or Firm* — Martin Fleit; Paul D. Bianco; Fleit Gibbons Gutman Bongini & Bianco PL

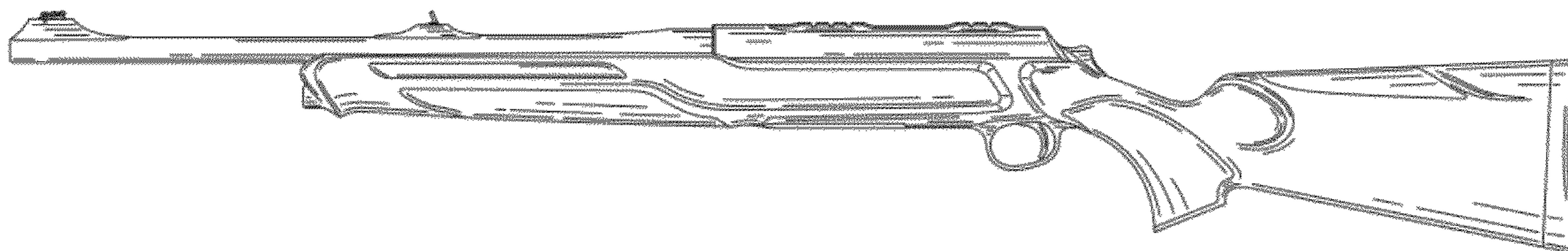
(56) **References Cited**
U.S. PATENT DOCUMENTS
D180,389 S * 6/1957 Bowman D22/103
D196,304 S * 9/1963 Hoge D22/103
D214,999 S * 8/1969 Morrow D22/111
D253,485 S * 11/1979 Robinson D22/103
D262,567 S * 1/1982 Hillberg D22/103
D287,158 S * 12/1986 Anderson D22/111
D295,545 S * 5/1988 Bell D22/103
D297,855 S * 9/1988 Ruger et al. D22/108

(57) **CLAIM**
The ornamental design for a rifle, as shown and described.

DESCRIPTION

FIG. 1 is a left side view of the rifle according to the present invention.
FIG. 2 is a right side view of the rifle of FIG. 1.
FIG. 3 is a top view of the rifle of FIG. 1.
FIG. 4 is a bottom view of the rifle of FIG. 1.
FIG. 5 is a rear view of the rifle of FIG. 1; and,
FIG. 6 is a front view of the rifle.
The features shown in broken line are for illustrative purposes only.

1 Claim, 3 Drawing Sheets



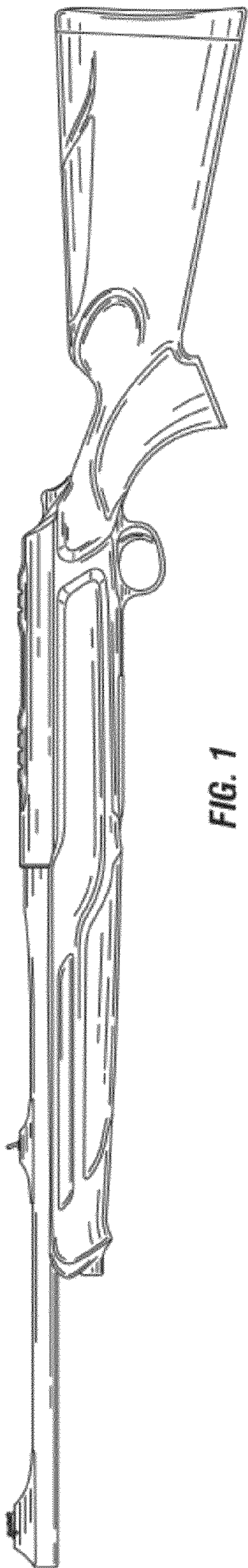


FIG. 1

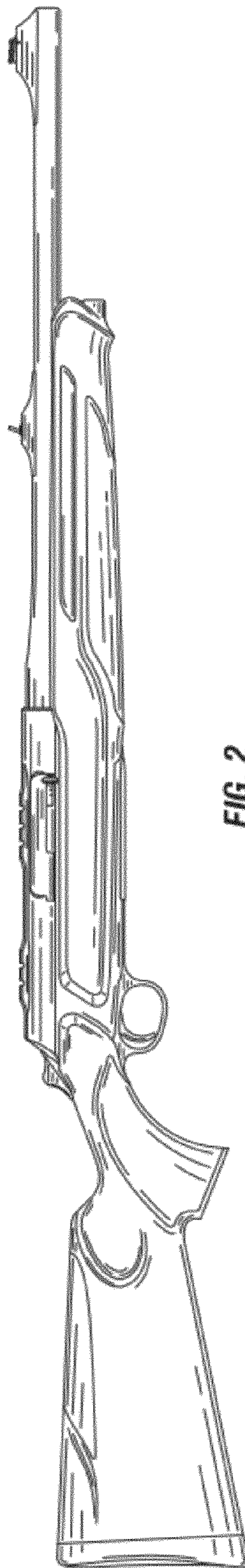


FIG. 2

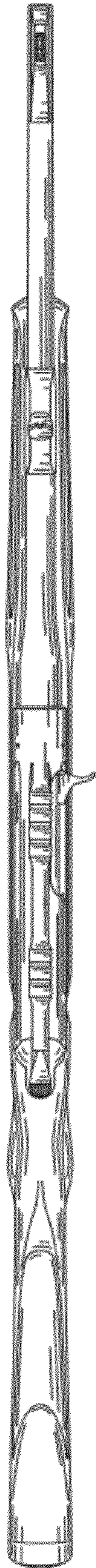


FIG. 3

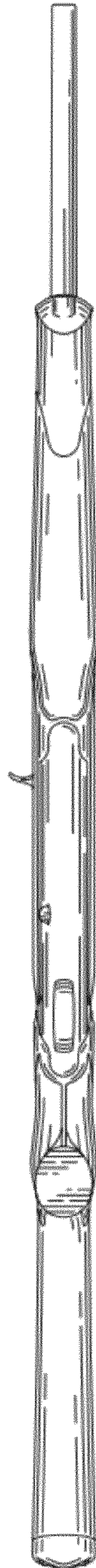


FIG. 4

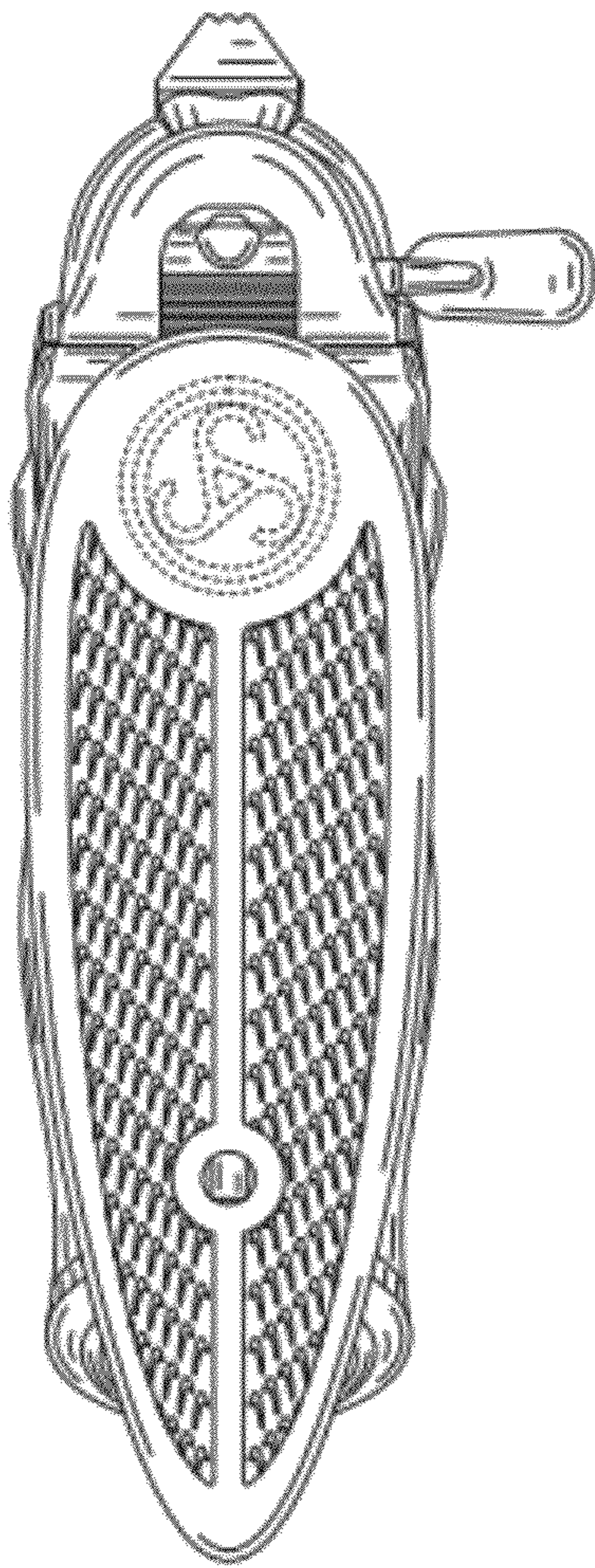


FIG. 5

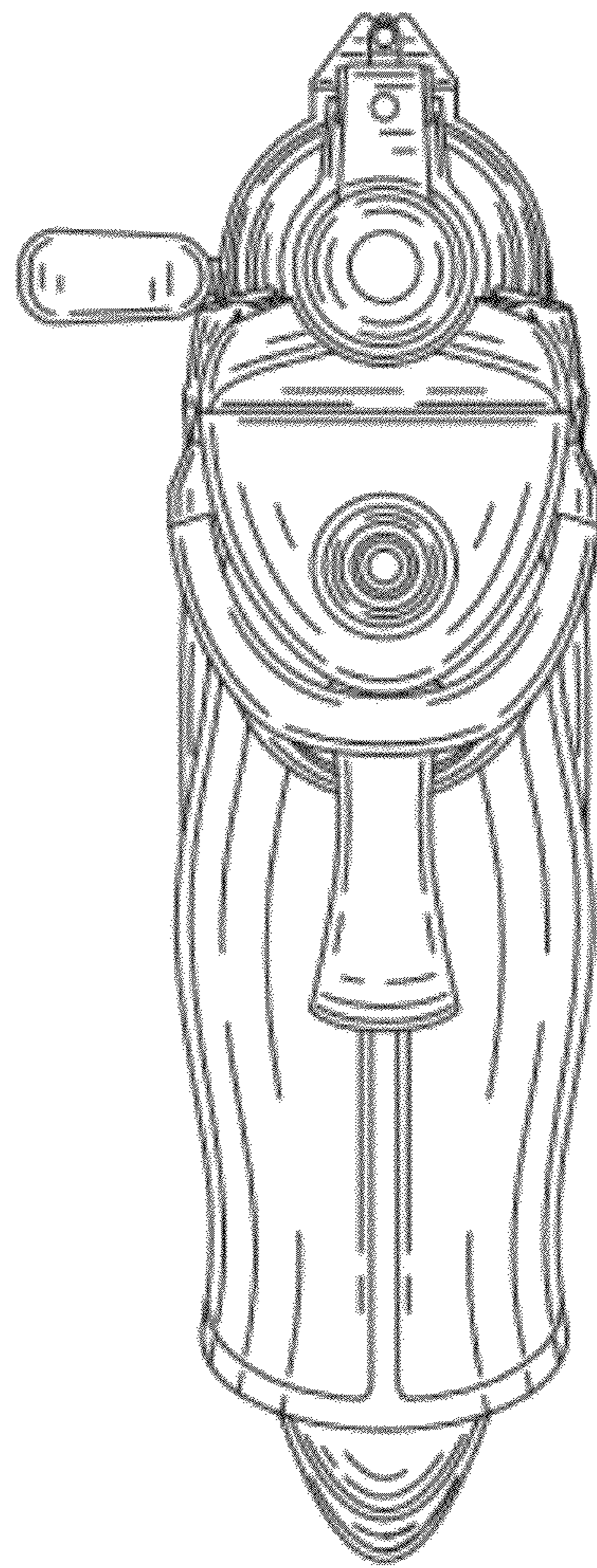


FIG. 6