



US00D678451S

(12) **United States Design Patent**
Jin

(10) **Patent No.:** **US D678,451 S**
(45) **Date of Patent:** **** Mar. 19, 2013**

(54) **FOLDABLE SHELTER**

(76) Inventor: **Ki Ho Jin**, Fujian (CN)

(**) Term: **14 Years**

(21) Appl. No.: **29/417,278**

(22) Filed: **Apr. 2, 2012**

(51) **LOC (9) Cl.** **21-04**

(52) **U.S. Cl.** **D21/837**

(58) **Field of Classification Search** D21/834,
D21/837, 838, 839; D25/56; 135/87, 115,
135/117, 121, 126, 143, 156

See application file for complete search history.

(56) **References Cited**

U.S. PATENT DOCUMENTS

3,699,986	A	*	10/1972	Kirkham	135/97
D245,184	S	*	7/1977	Lowman et al.	D25/56
D324,898	S		3/1992	Andersen		
D326,133	S		5/1992	Lynch		
D326,134	S	*	5/1992	Norman	D21/837
D383,187	S	*	9/1997	Dalland	D21/837
D435,883	S		1/2001	Laosunthara et al.		
D438,589	S		3/2001	Brown		

D470,560	S		2/2003	Han		
D506,240	S	*	6/2005	Tseng	D21/837
D562,425	S	*	2/2008	Dalland et al.	D21/837
D608,407	S		1/2010	Medlock		

* cited by examiner

Primary Examiner — Cynthia M Chin

(74) *Attorney, Agent, or Firm* — John H. Choi

(57) **CLAIM**

The ornamental design for a foldable shelter, as shown and described.

DESCRIPTION

FIG. 1 is a front and side perspective view of a foldable shelter showing my new design;

FIG. 2 is a front view thereof, the rear view thereof being a mirror image of that which is shown;

FIG. 3 is a left side view thereof, the right side view thereof being a mirror image of that which is shown;

FIG. 4 is a top view thereof; and,

FIG. 5 is a bottom view thereof.

The broken lines represent portions of the article that form no part of the claim.

1 Claim, 5 Drawing Sheets

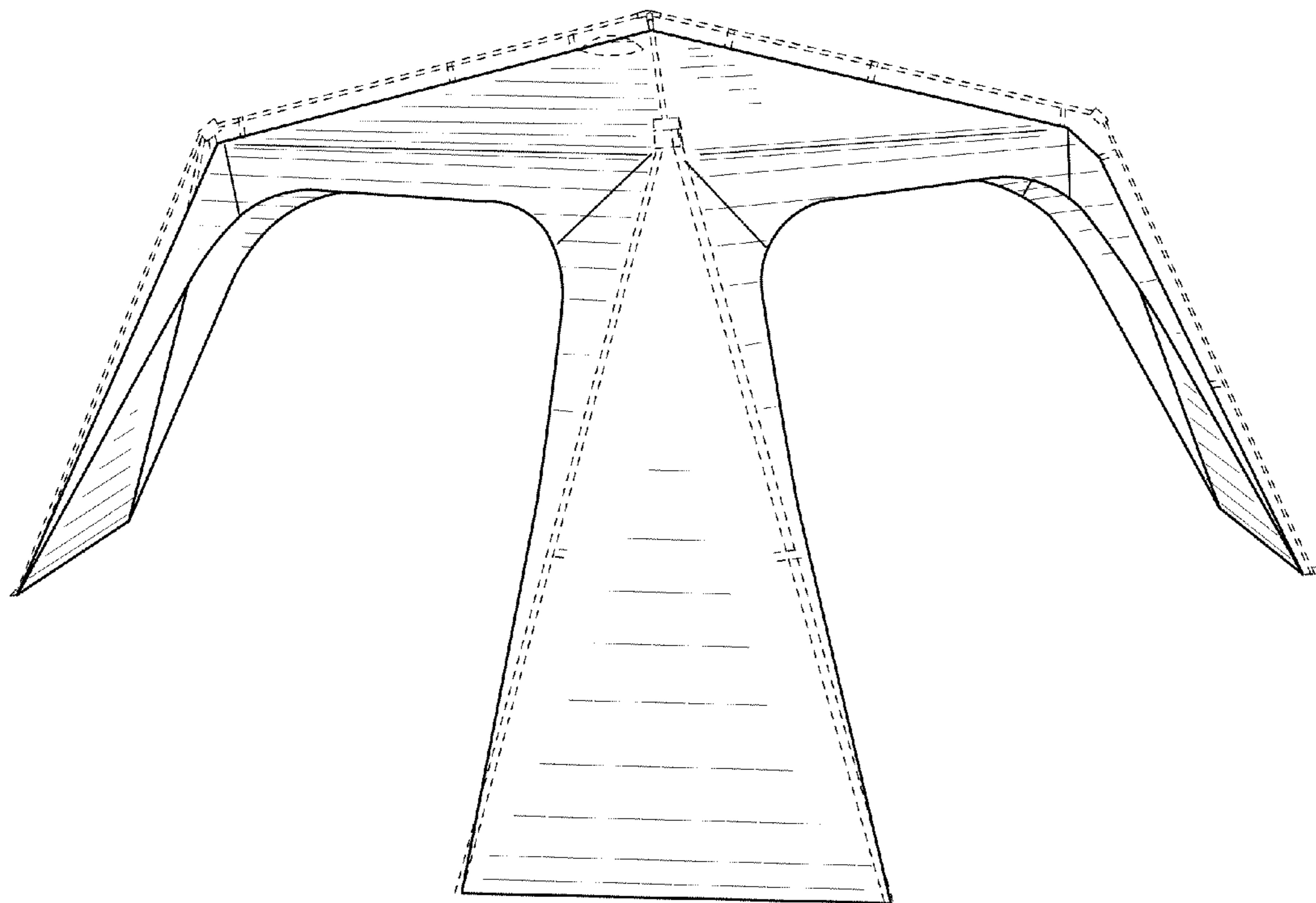
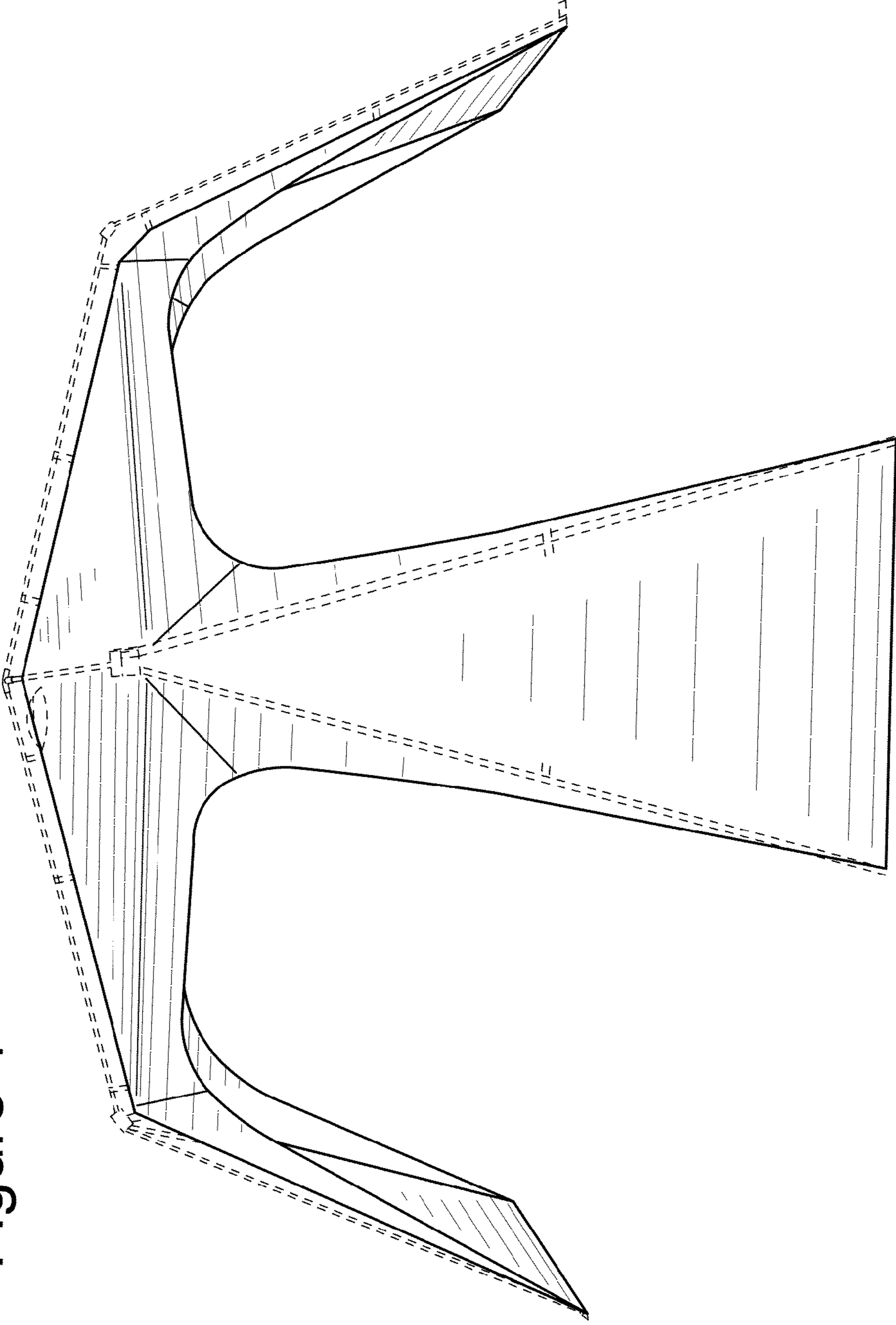


Figure 1



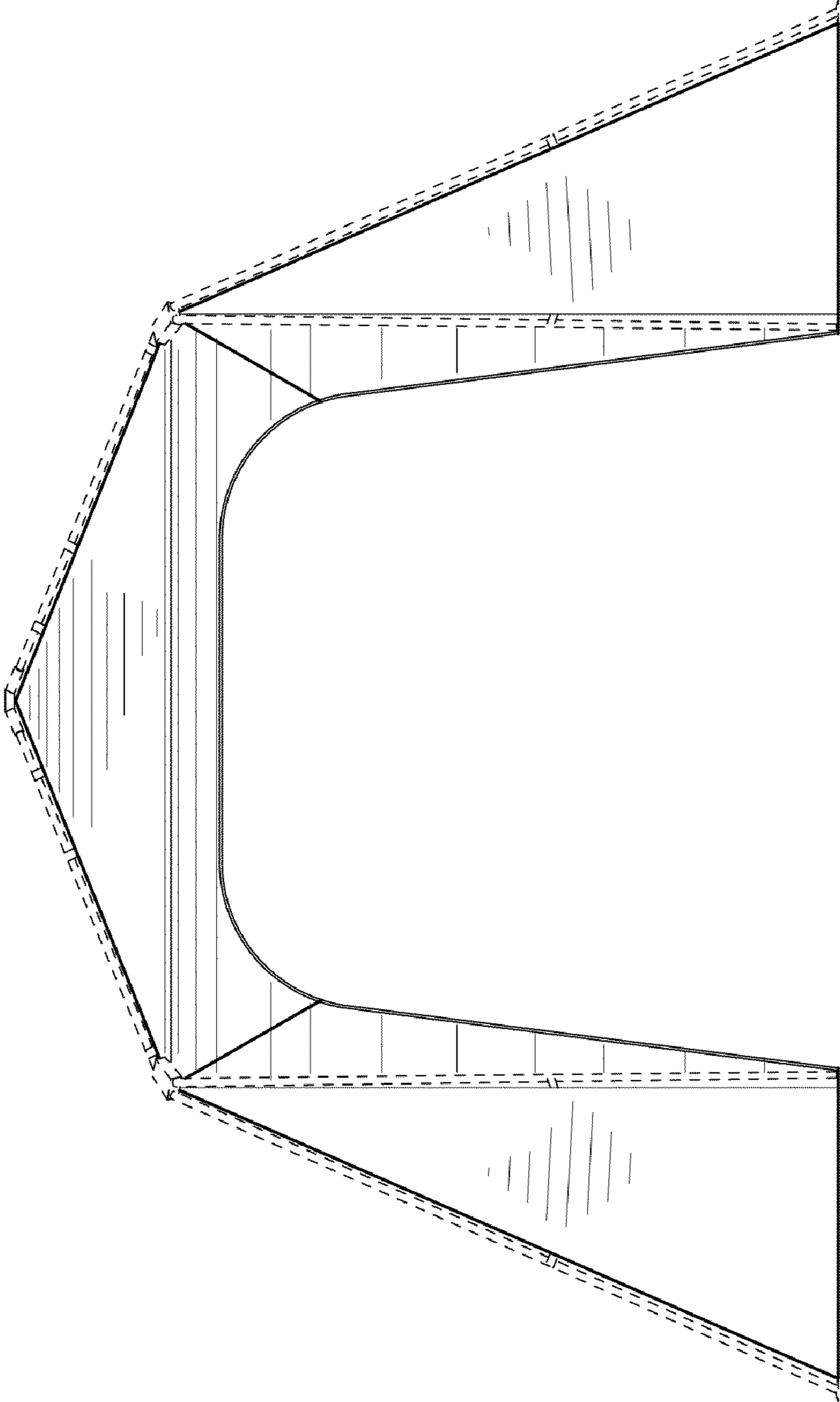
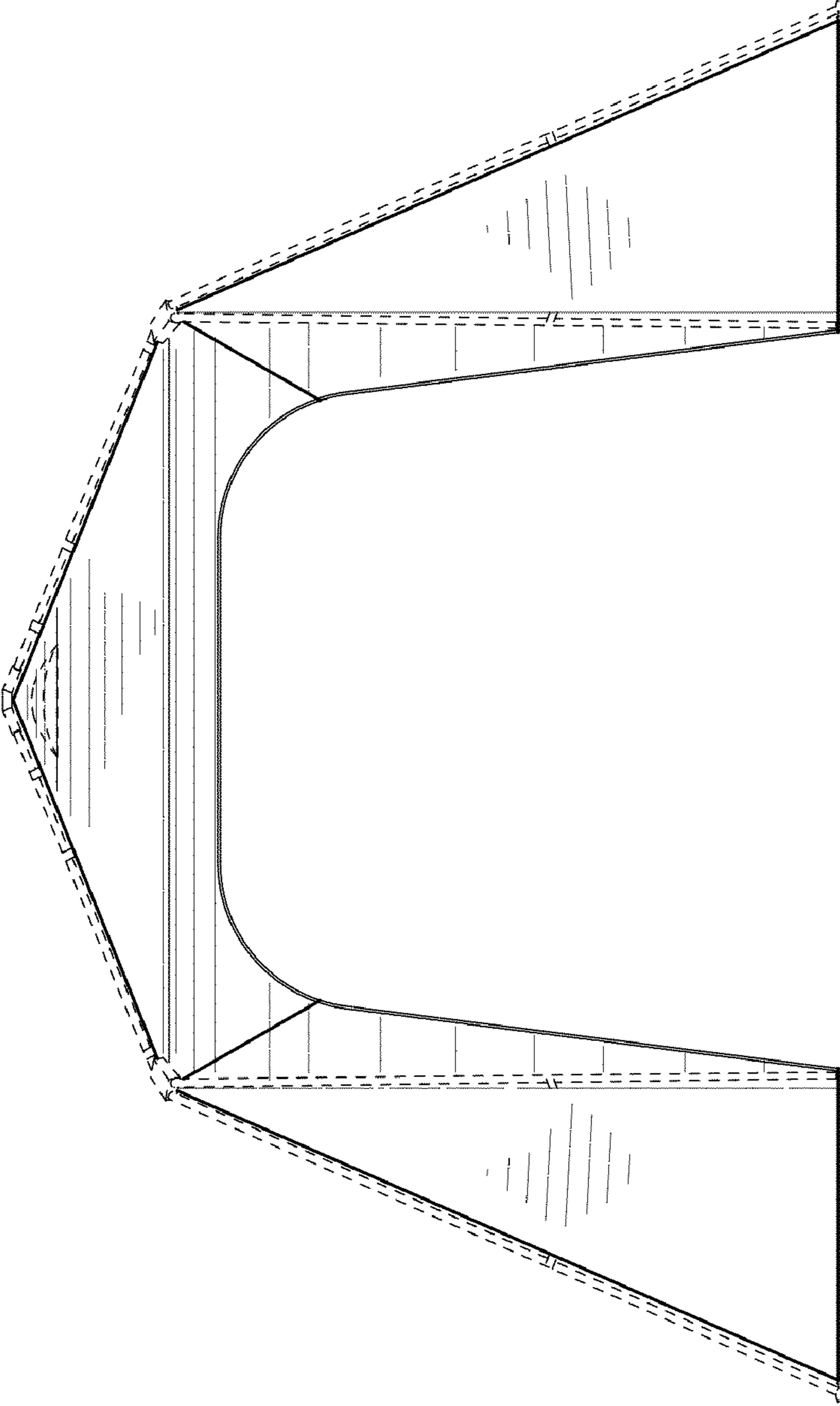


Figure 2

Figure 3



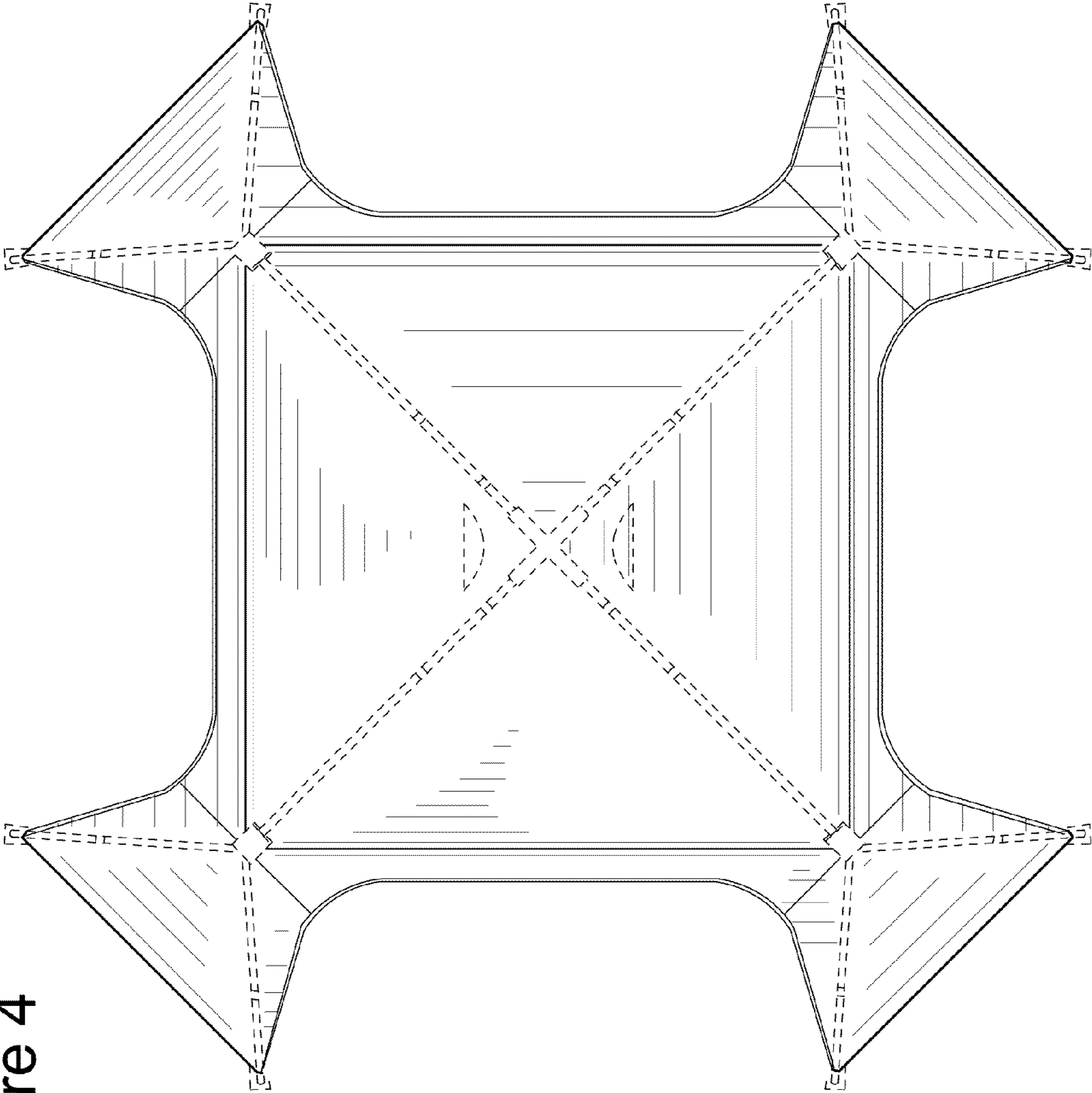


Figure 4

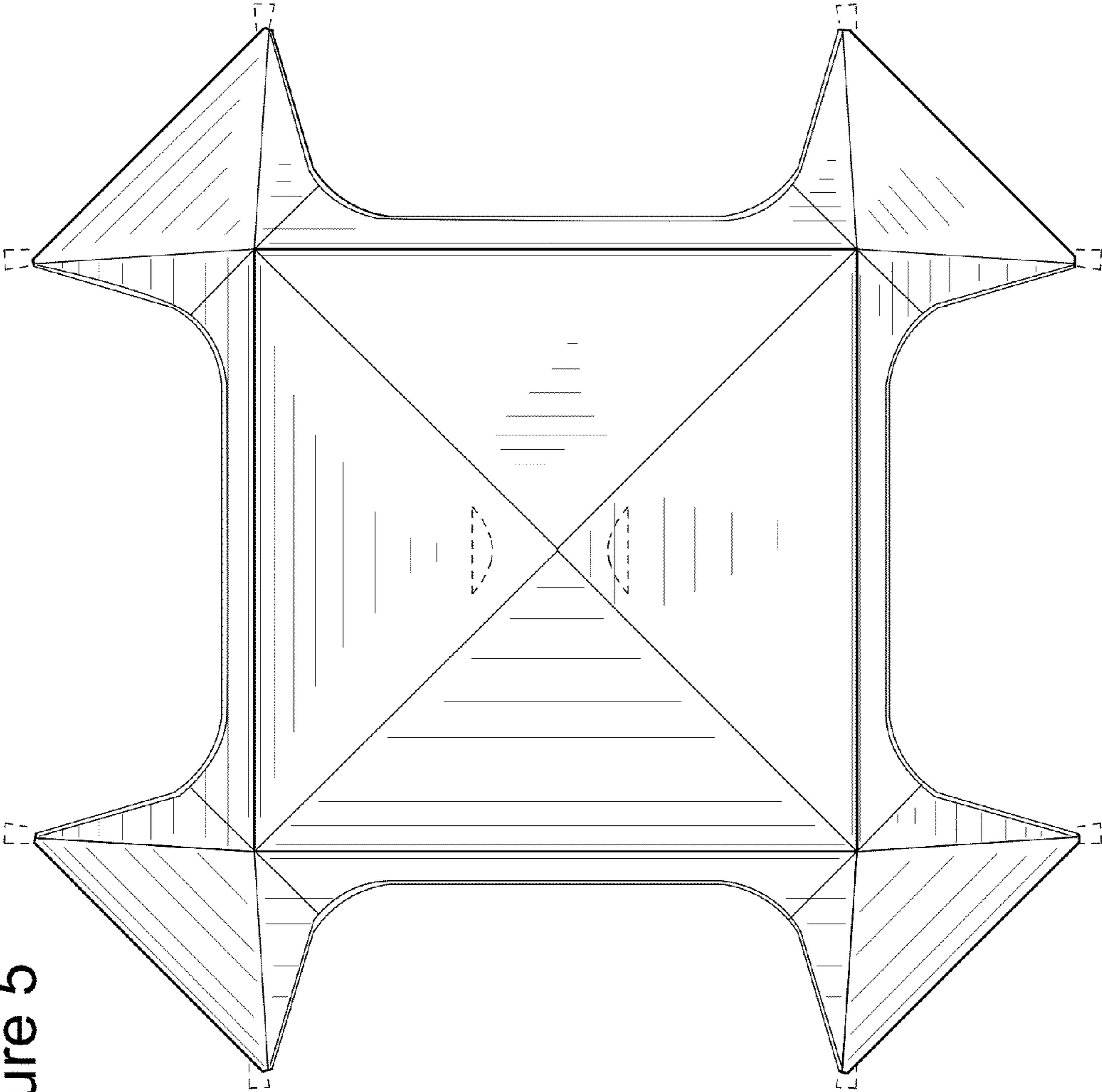


Figure 5