



US00D678450S

(12) **United States Design Patent**
Kitchen

(10) **Patent No.:** **US D678,450 S**
(45) **Date of Patent:** **** Mar. 19, 2013**

(54) **TRACK FOR AN AMUSEMENT RIDE**

(76) Inventor: **William J. Kitchen**, Windermere, FL
(US)

(**) Term: **14 Years**

(21) Appl. No.: **29/425,853**

(22) Filed: **Jun. 27, 2012**

D327,936 S *	7/1992	House et al.	D21/829
D400,616 S *	11/1998	Gnezdilov	D21/829
D656,213 S *	3/2012	Kitchen	D21/814
D670,781 S *	11/2012	Kitchen	D21/830
D671,609 S *	11/2012	Kitchen	D21/830

* cited by examiner

Primary Examiner — Mitchell Siegel

(74) *Attorney, Agent, or Firm* — Margaret Polson; Oppedahl Patent Law Firm LLC

Related U.S. Application Data

(62) Division of application No. 29/413,944, filed on Feb. 22, 2012, now Pat. No. Des. 670,781, which is a division of application No. 29/378,231, filed on Nov. 1, 2010, now Pat. No. Des. 656,213.

(51) **LOC (9) Cl.** **21-03**

(52) **U.S. Cl.** **D21/830**

(58) **Field of Classification Search** D21/811,
D21/814, 818, 821, 828-830; 472/30, 27,
472/43, 45

See application file for complete search history.

(56) **References Cited**

U.S. PATENT DOCUMENTS

489,238 A *	1/1893	Somers	472/45
512,429 A *	1/1894	Wyand	472/45
1,050,567 A *	1/1913	Saunders	472/45
4,988,089 A *	1/1991	Knijpstra	472/45

(57) **CLAIM**

The ornamental design for track for an amusement ride, as shown and described.

DESCRIPTION

FIG. 1 is a front elevational view of the track for an amusement ride, the undisclosed rear being identical;

FIG. 2 is a right side elevational view thereof; the undisclosed opposite side being identical;

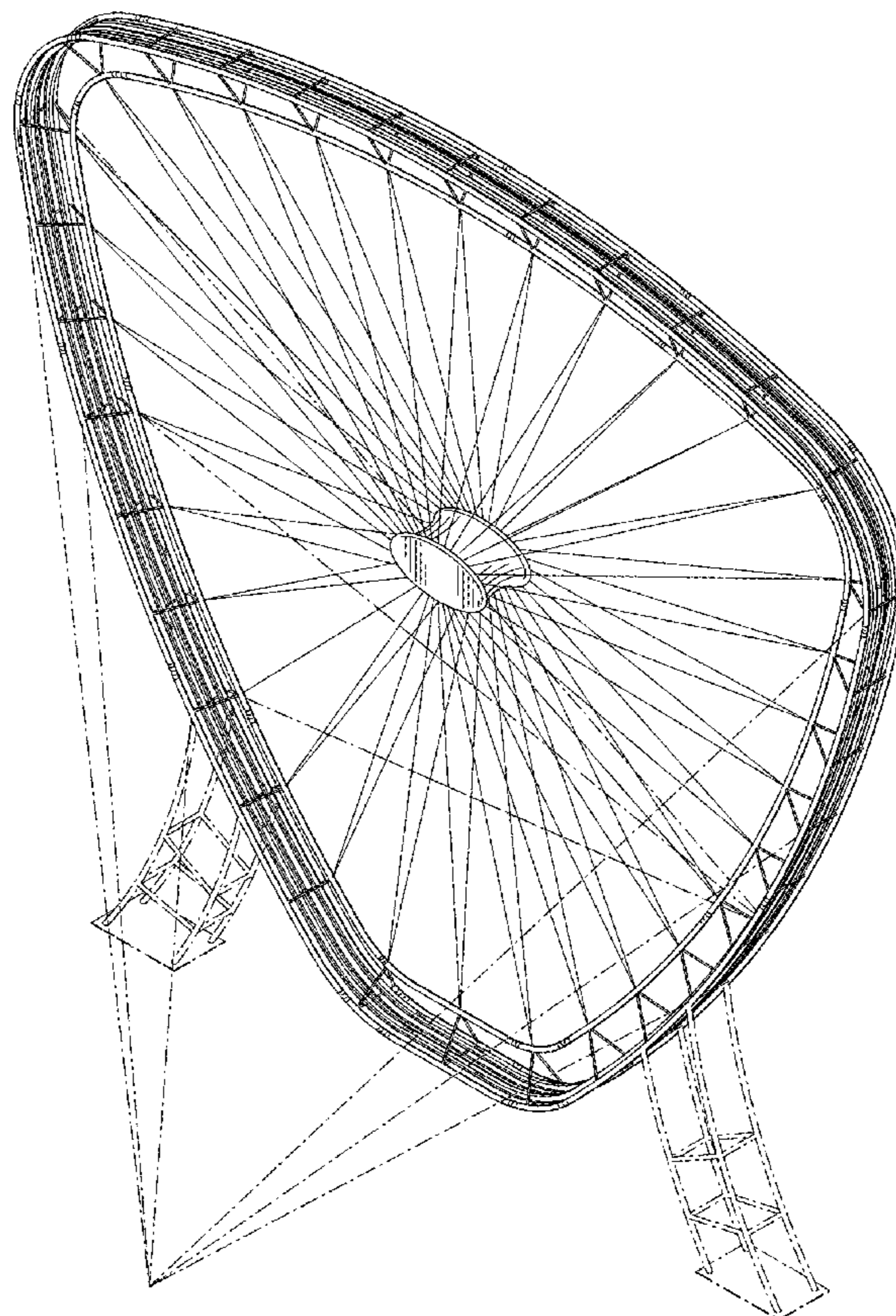
FIG. 3 is a top plan view thereof;

FIG. 4 is a bottom plan view thereof; and,

FIG. 5 is a front perspective thereof.

The broken line showing of support feet and support wires is included for the purpose of illustrating and forms no part of the claimed design.

1 Claim, 5 Drawing Sheets



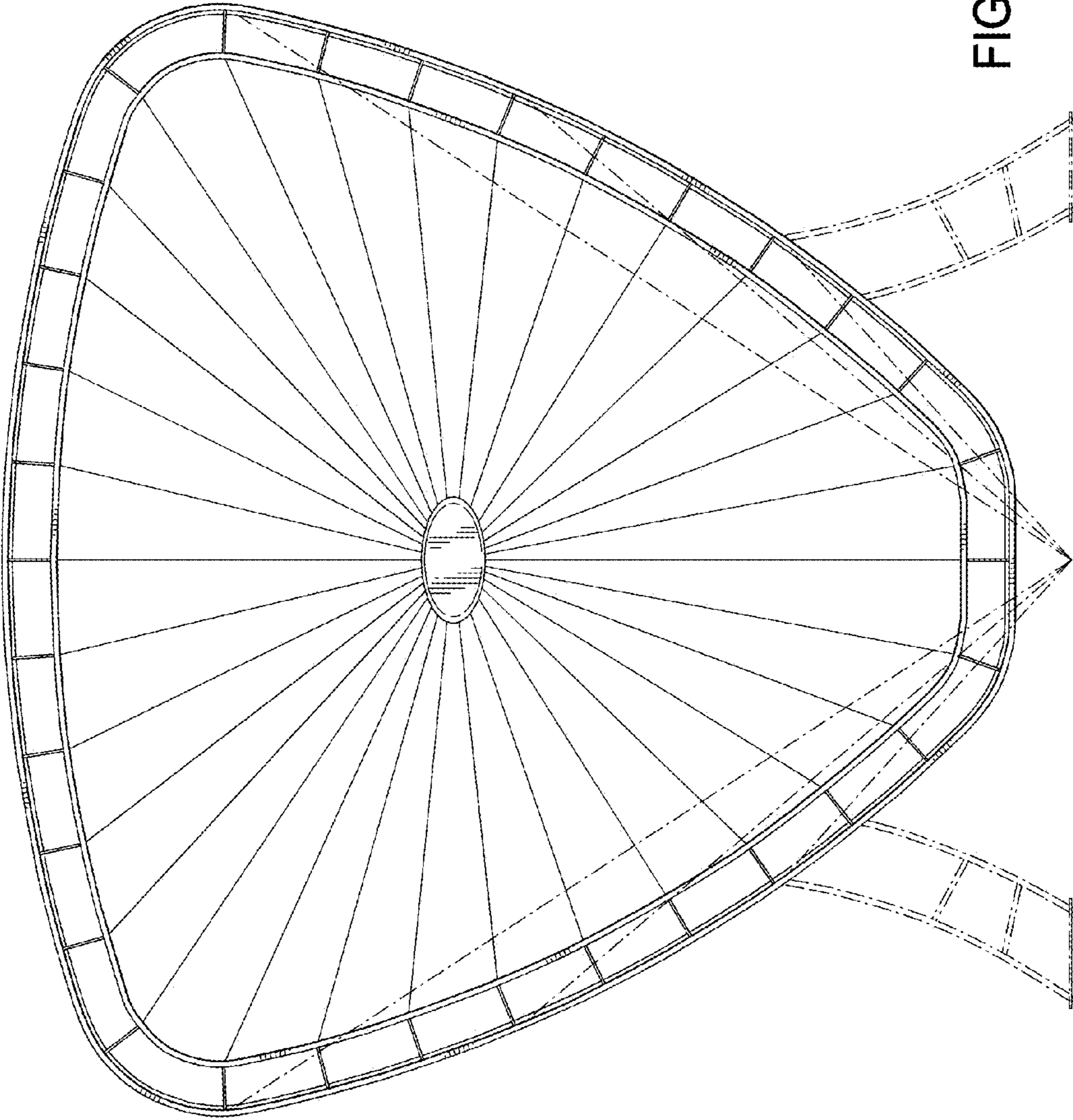


FIG.1

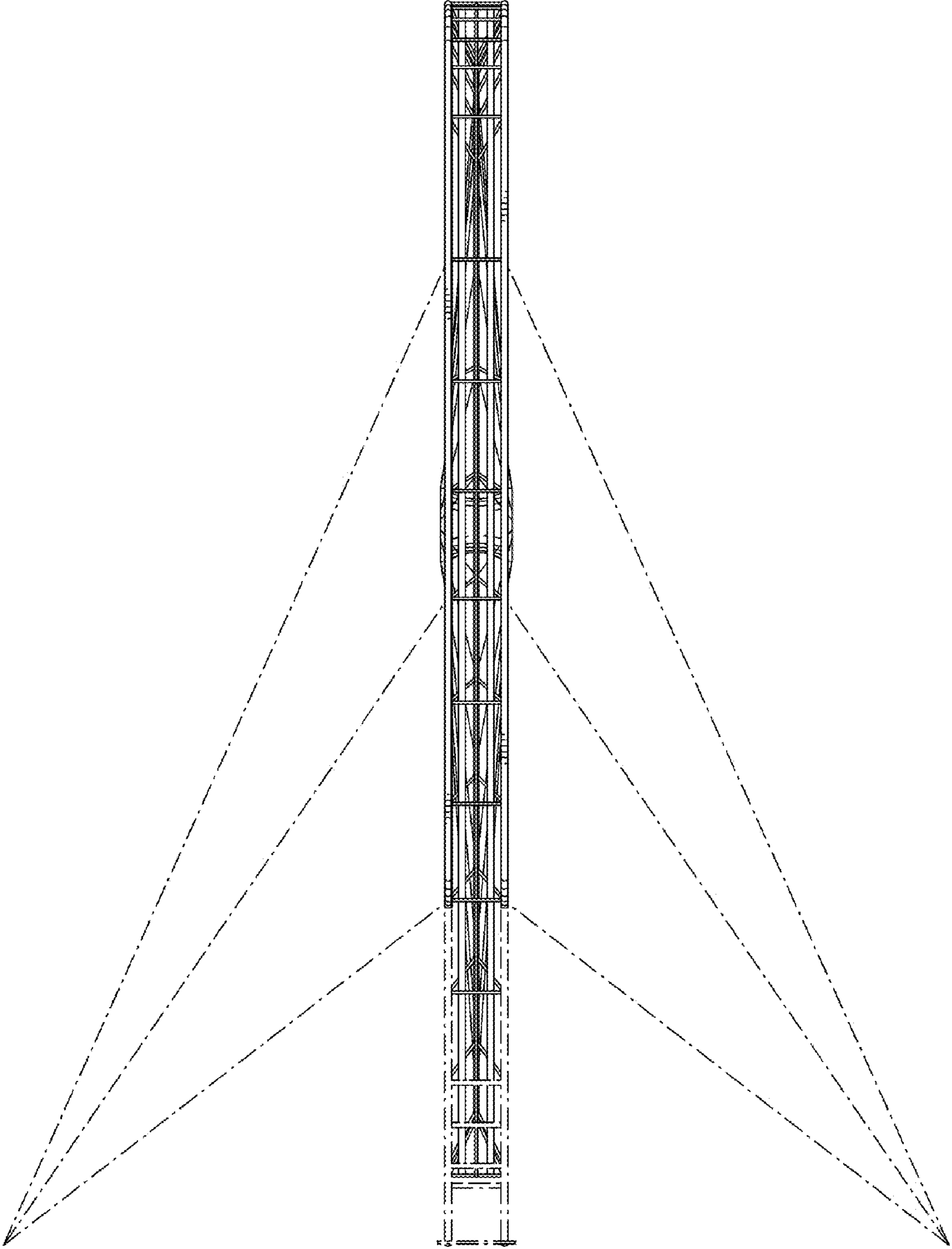


FIG. 2

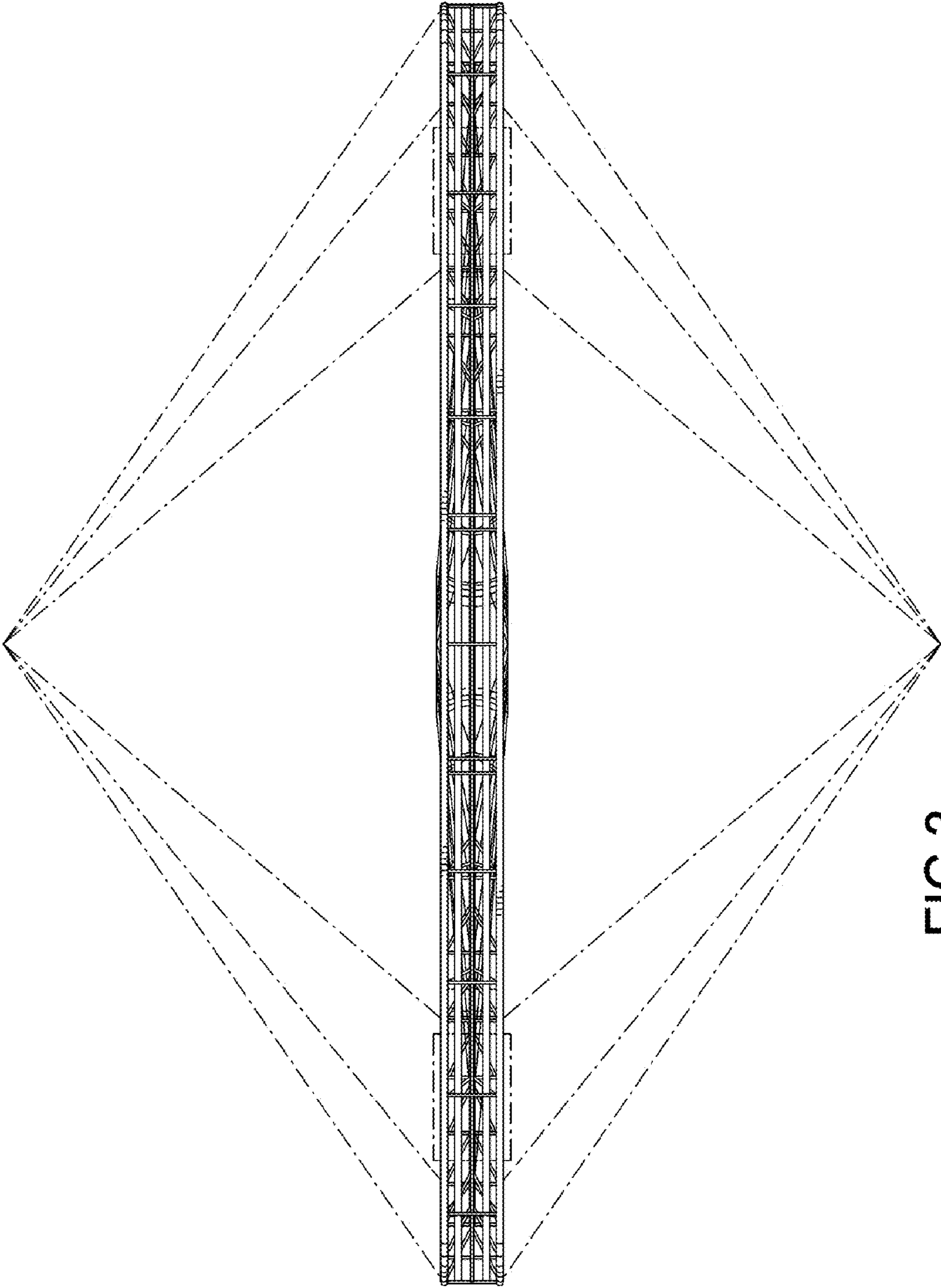


FIG.3

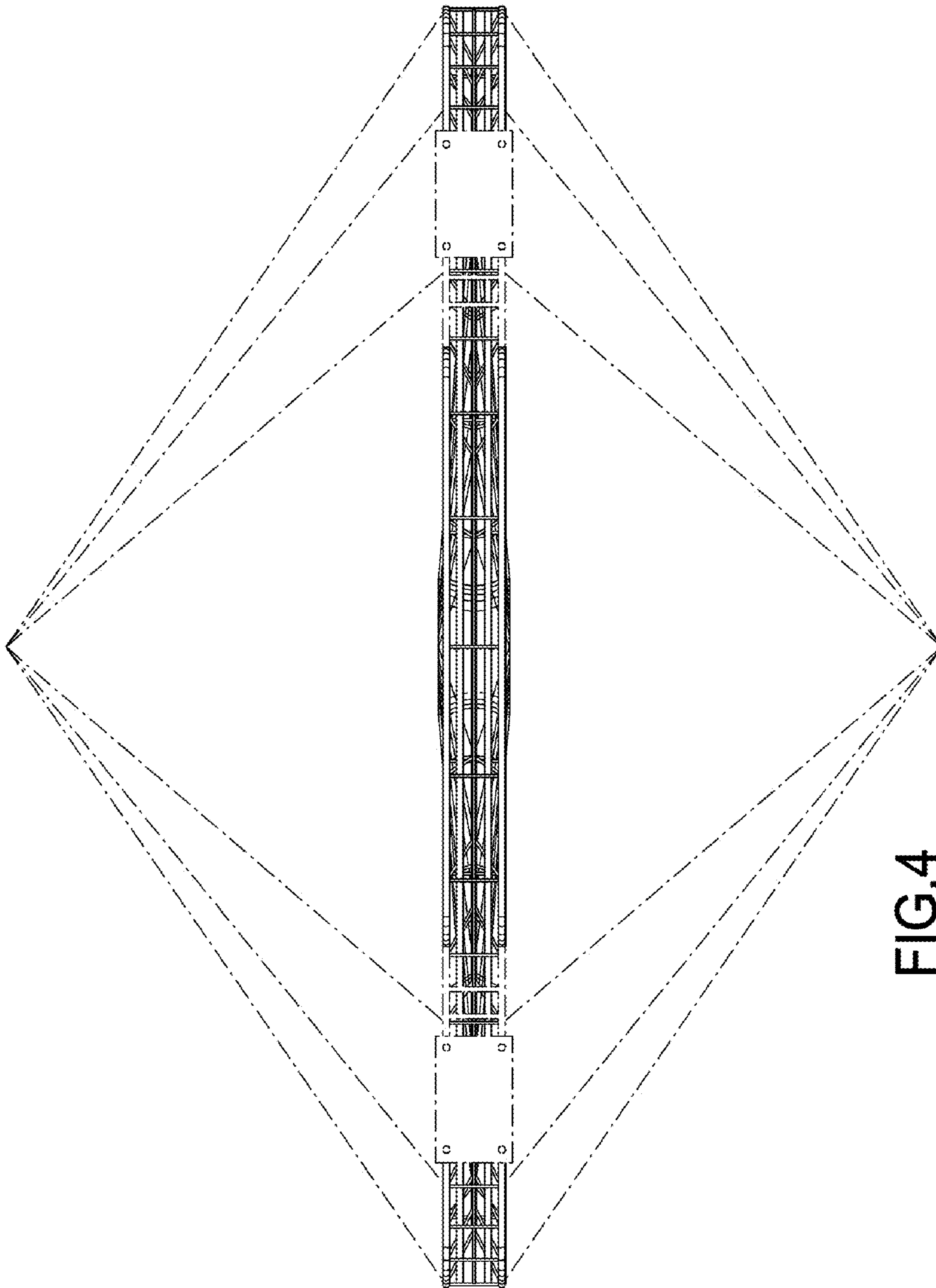


FIG.4

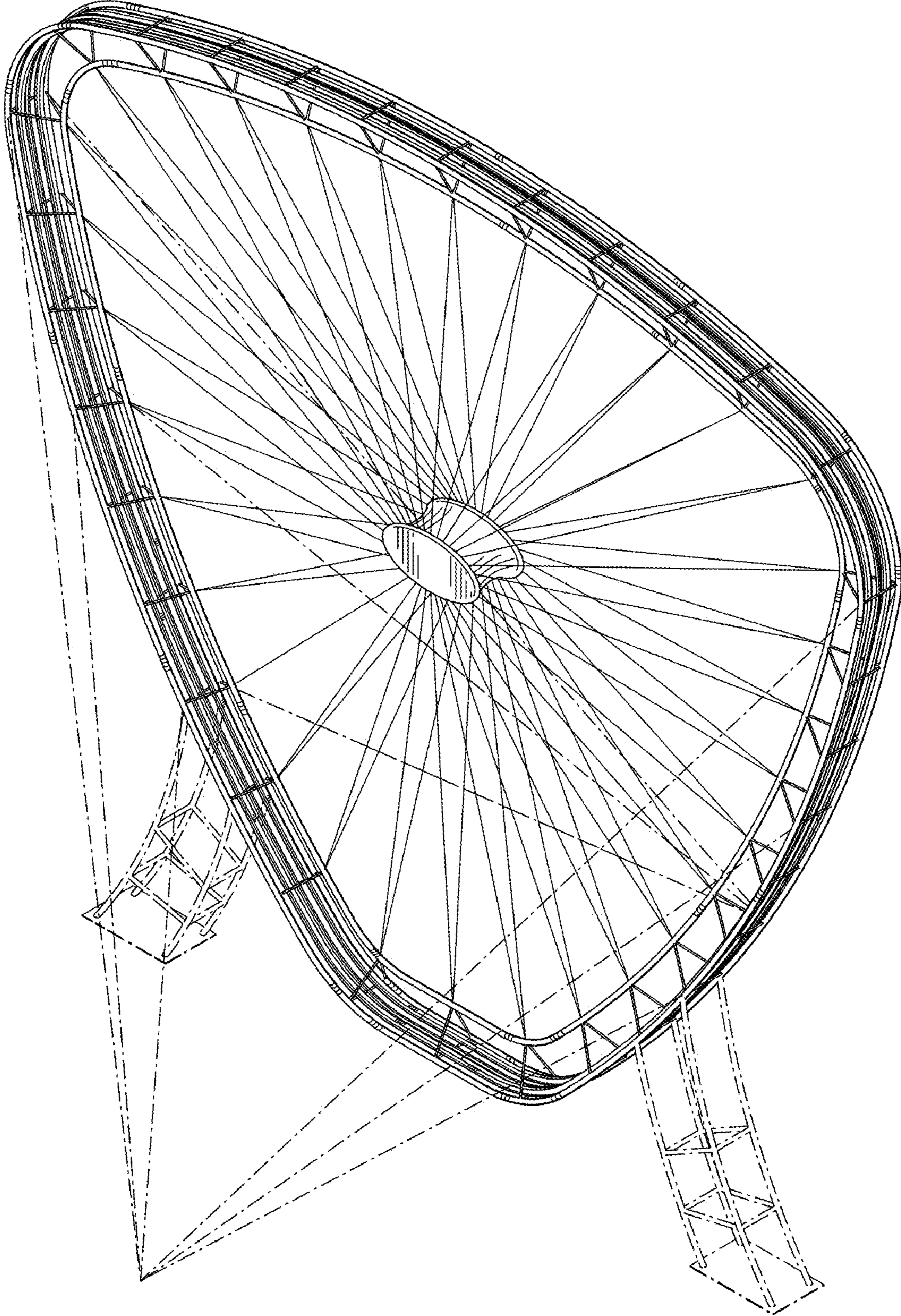


FIG.5