



US00D678445S

(12) **United States Design Patent**
Corredor Monzón

(10) **Patent No.:** **US D678,445 S**

(45) **Date of Patent:** **** Mar. 19, 2013**

(54) **GOLF TRAINING DEVICE**

(76) Inventor: **Ricardo Corredor Monzón**, Bogotá
(CO)

(**) Term: **14 Years**

(21) Appl. No.: **29/409,386**

(22) Filed: **Dec. 22, 2011**

(51) **LOC (9) Cl.** **21-02**

(52) **U.S. Cl.** **D21/791**

(58) **Field of Classification Search** D21/789,
D21/791; 473/235, 219, 223, 226, 256
See application file for complete search history.

(56) **References Cited**

U.S. PATENT DOCUMENTS

3,466,049	A	*	9/1969	Fox et al.	473/235
D237,515	S	*	11/1975	Thiel	D21/791
D241,958	S	*	10/1976	Smith	D21/791
D316,888	S	*	5/1991	Foresi	D21/791
D426,607	S	*	6/2000	Wurster	D21/791
D428,461	S	*	7/2000	Koszalinski	D21/791
D458,659	S	*	6/2002	Pullaro	D21/791

D486,198	S	*	2/2004	Rohan-Weaver	D21/791
D490,492	S	*	5/2004	Nemeckay	D21/791
D573,670	S	*	7/2008	Mullins	D21/791
D627,414	S	*	11/2010	Masuda et al.	D21/791
D634,386	S	*	3/2011	Ikeda	D21/791
D640,764	S	*	6/2011	Ikeda	D21/791

* cited by examiner

Primary Examiner — Mitchell Siegel

(74) *Attorney, Agent, or Firm* — Ladas & Parry LLP

(57) **CLAIM**

I claim the ornamental design for a golf training device, as shown and described.

DESCRIPTION

FIG. 1 is a perspective view of a golf training device of my new design.

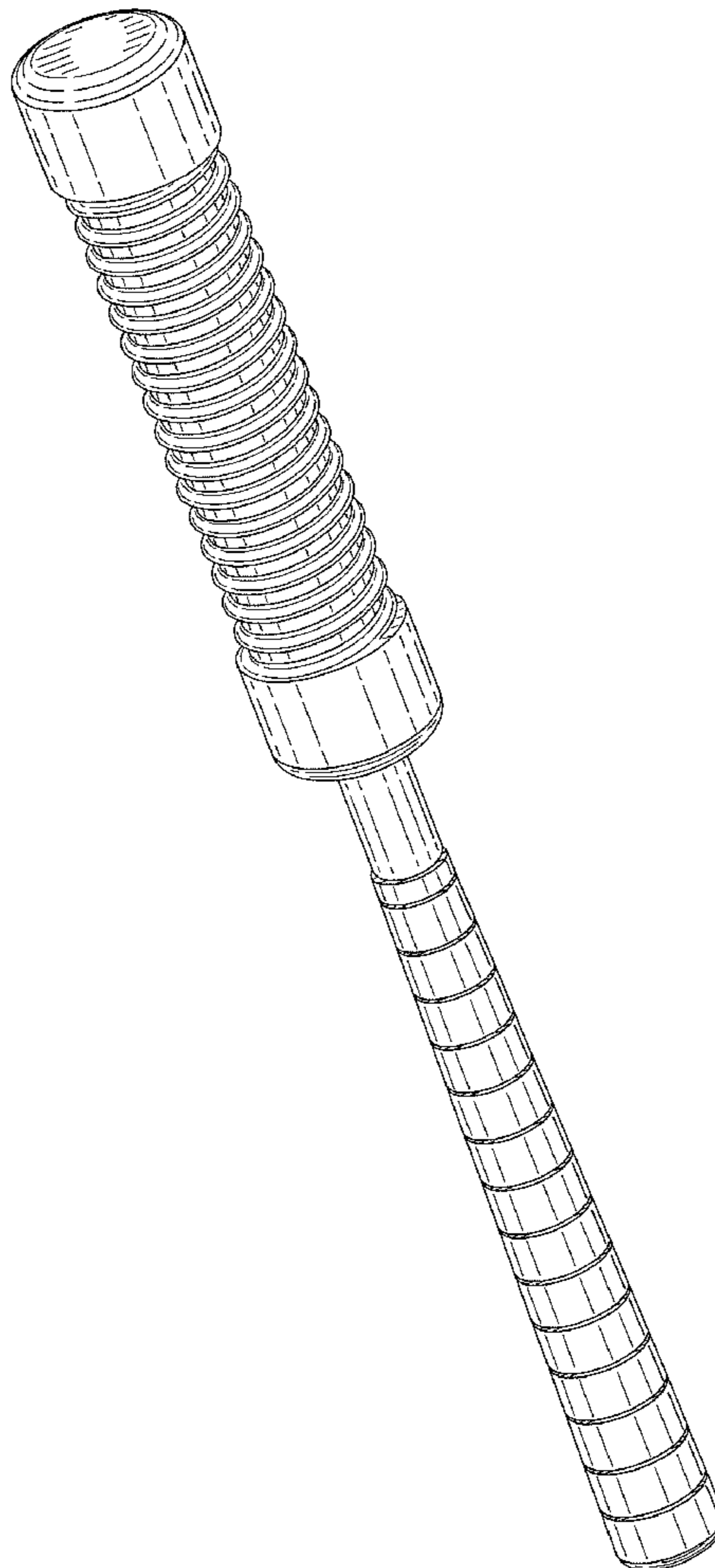
FIG. 2 is a further perspective view of a golf training device of my new design

FIG. 3 is a top view thereof.

FIG. 4 is an elevation view thereof; and,

FIG. 5 is a further elevation view thereof.

1 Claim, 3 Drawing Sheets



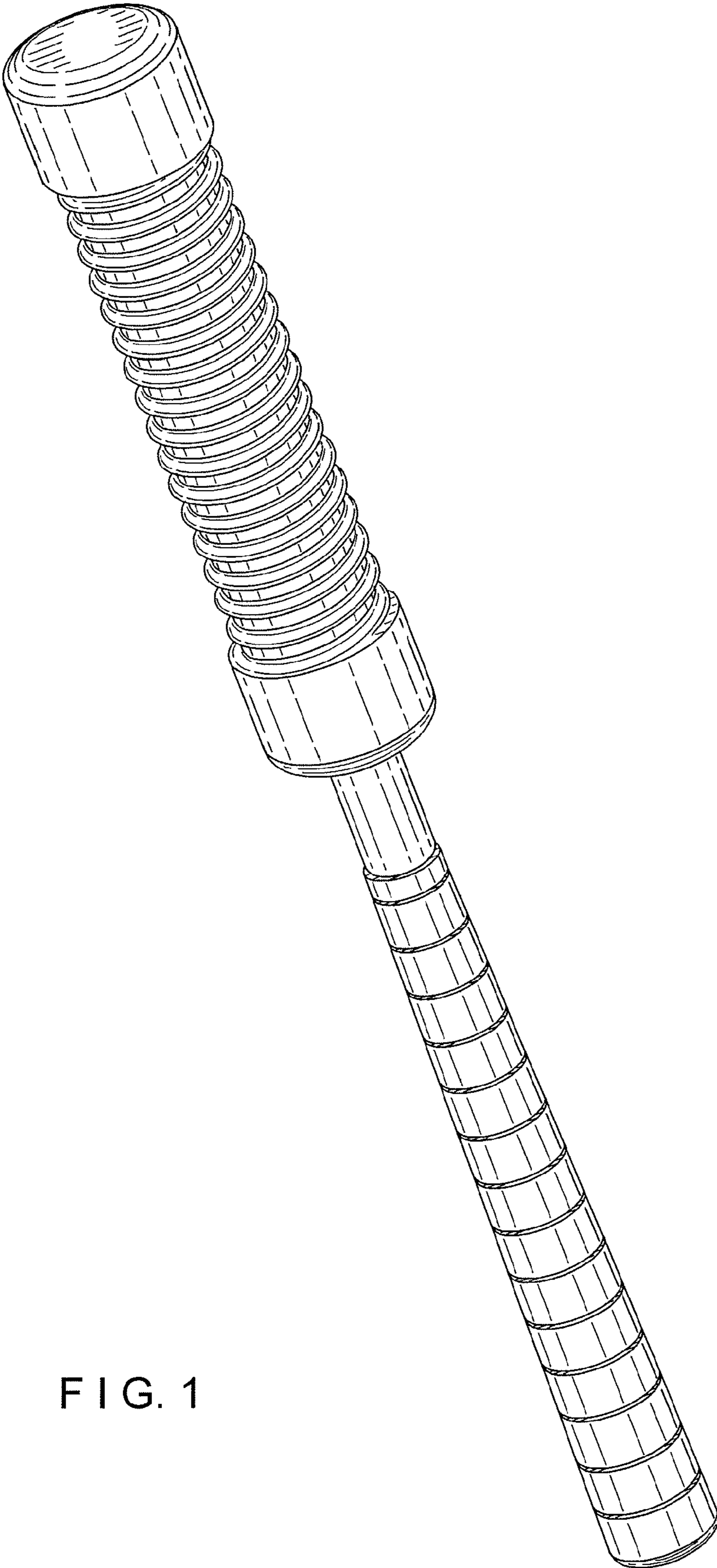


FIG. 1

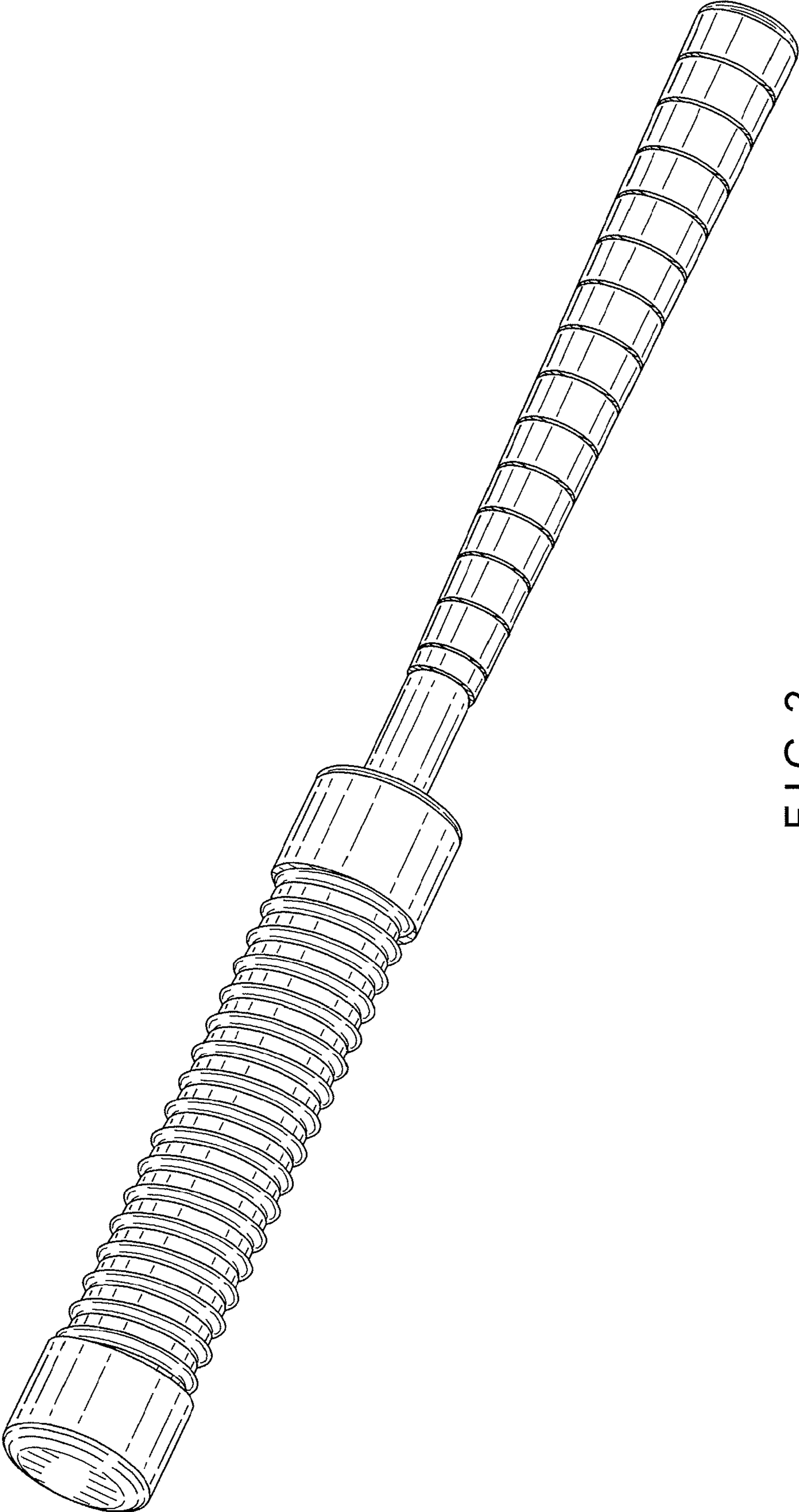


FIG. 2

FIG. 3

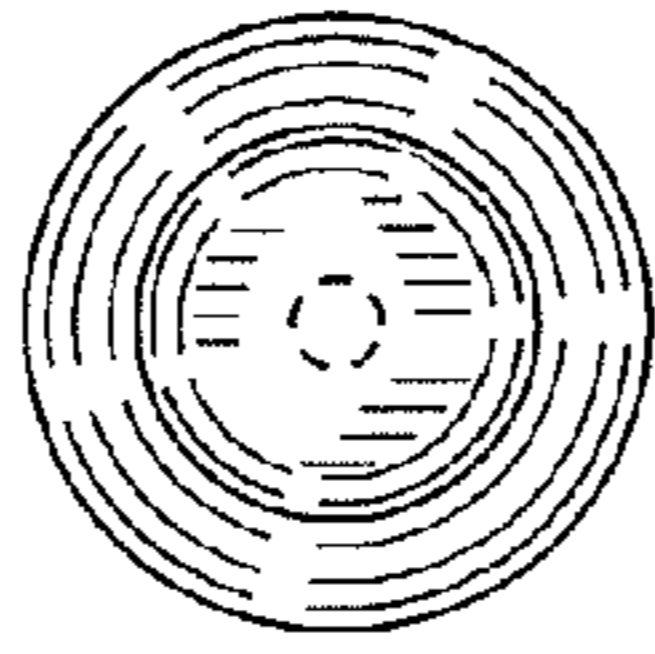


FIG. 4

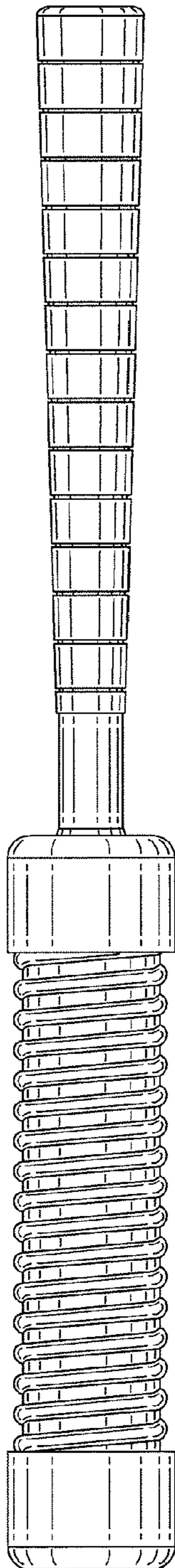


FIG. 5

