



US00D678442S

(12) **United States Design Patent**
Cienkus

(10) **Patent No.:** **US D678,442 S**
(45) **Date of Patent:** **** Mar. 19, 2013**

(54) **GOLF CLUB HEAD COVER CONNECTOR ASSEMBLY**

(76) Inventor: **John J. Cienkus**, Sarasota, FL (US)

(**) Term: **14 Years**

(21) Appl. No.: **29/395,960**

(22) Filed: **Apr. 27, 2012**

(51) **LOC (9) Cl.** **21-02**

(52) **U.S. Cl.** **D21/754**

(58) **Field of Classification Search** D21/789,
D21/754; 150/160; 206/315.4, 315.6; 24/302
See application file for complete search history.

(56) **References Cited**

U.S. PATENT DOCUMENTS

2,532,195	A *	11/1950	Rosenow et al.	150/160
3,460,207	A *	8/1969	Stewart	150/160
4,126,166	A *	11/1978	Hohenstein	150/160
4,296,787	A *	10/1981	Barton	150/160
4,520,855	A *	6/1985	Dien	150/160
D297,448	S *	8/1988	Thawley et al.	D21/754

* cited by examiner

Primary Examiner — Mitchell Siegel

(57) **CLAIM**

The ornamental design for a golf club head cover connector assembly, as shown and described.

DESCRIPTION

FIG. 1 is a perspective view of a golf club head cover connector assembly, showing my new design in condition of use on golf club head covers;

FIG. 2 is an enlarged perspective view thereof;

FIG. 3 is a front elevational view thereof, showing a portion of the golf club head cover connector assembly;

FIG. 4 is a side elevational view thereof, the side opposite being identical;

FIG. 5 is a front elevational view thereof, showing a portion of the golf club head cover connector assembly;

FIG. 6 is a bottom plan view thereof;

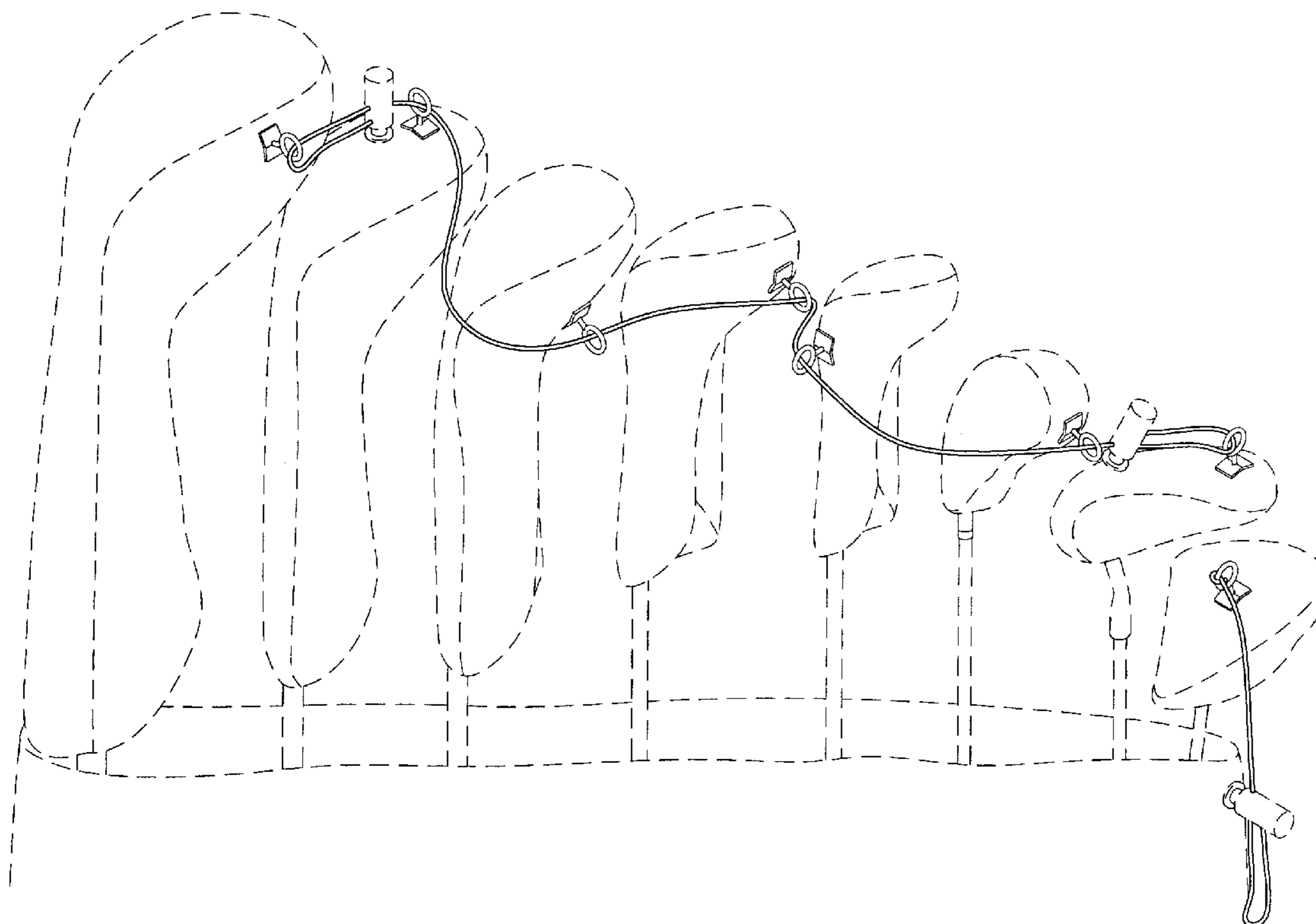
FIG. 7 is a top plan view thereof;

FIG. 8 is an exploded perspective view thereof; and,

FIG. 9 is a rear perspective view thereof, showing a portion of the golf club head cover connector assembly, the portions of the golf club head cover connector assembly being the same as one another.

The broken line showing of golf clubs, golf club head covers, an upper portion of a golf bag, and cord locks in FIG. 1, cord locks in FIGS. 2 and 5, and end clasps in FIGS. 2-6 and 8-9, illustrates environmental structure only and forms no part of the claimed design.

1 Claim, 5 Drawing Sheets



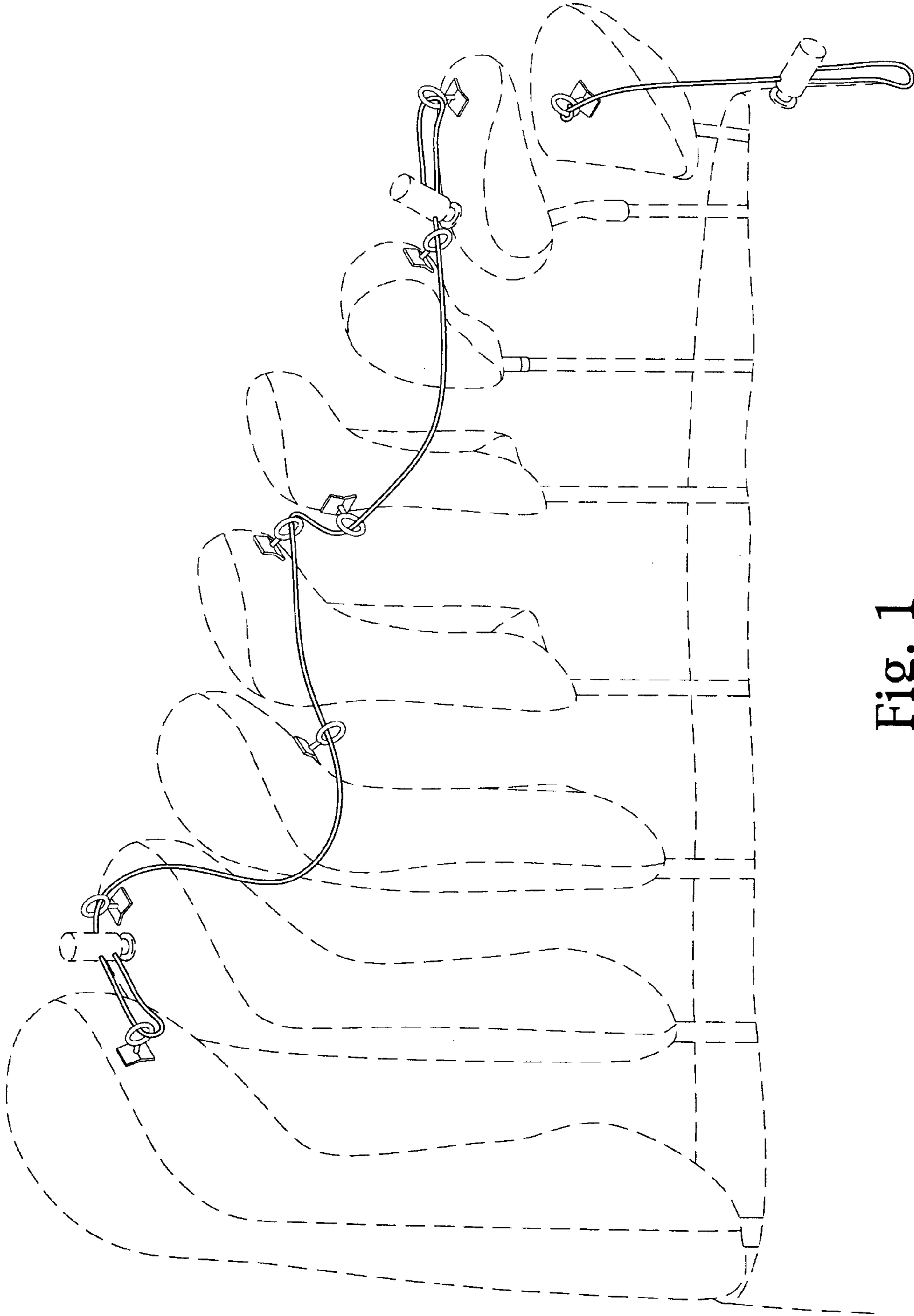


Fig. 1

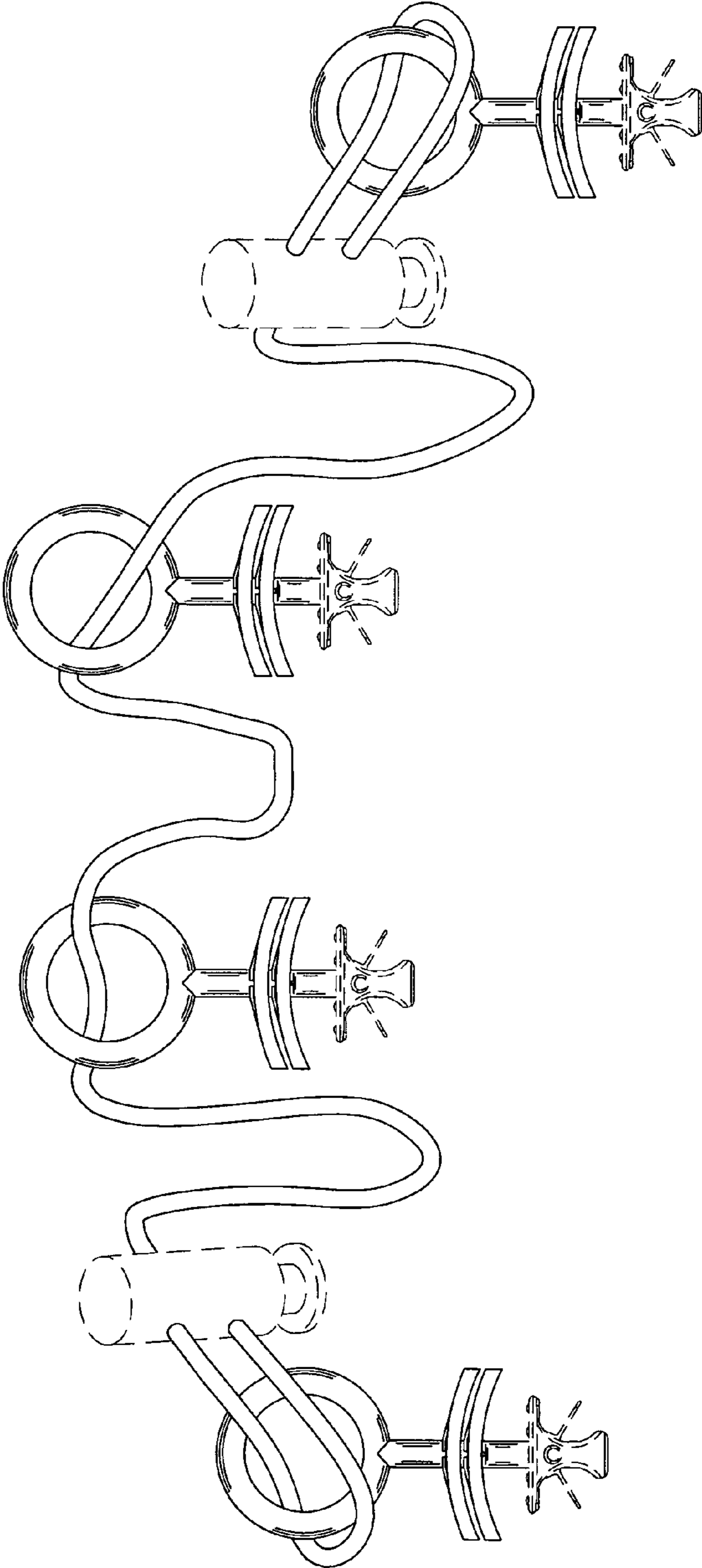


Fig. 2

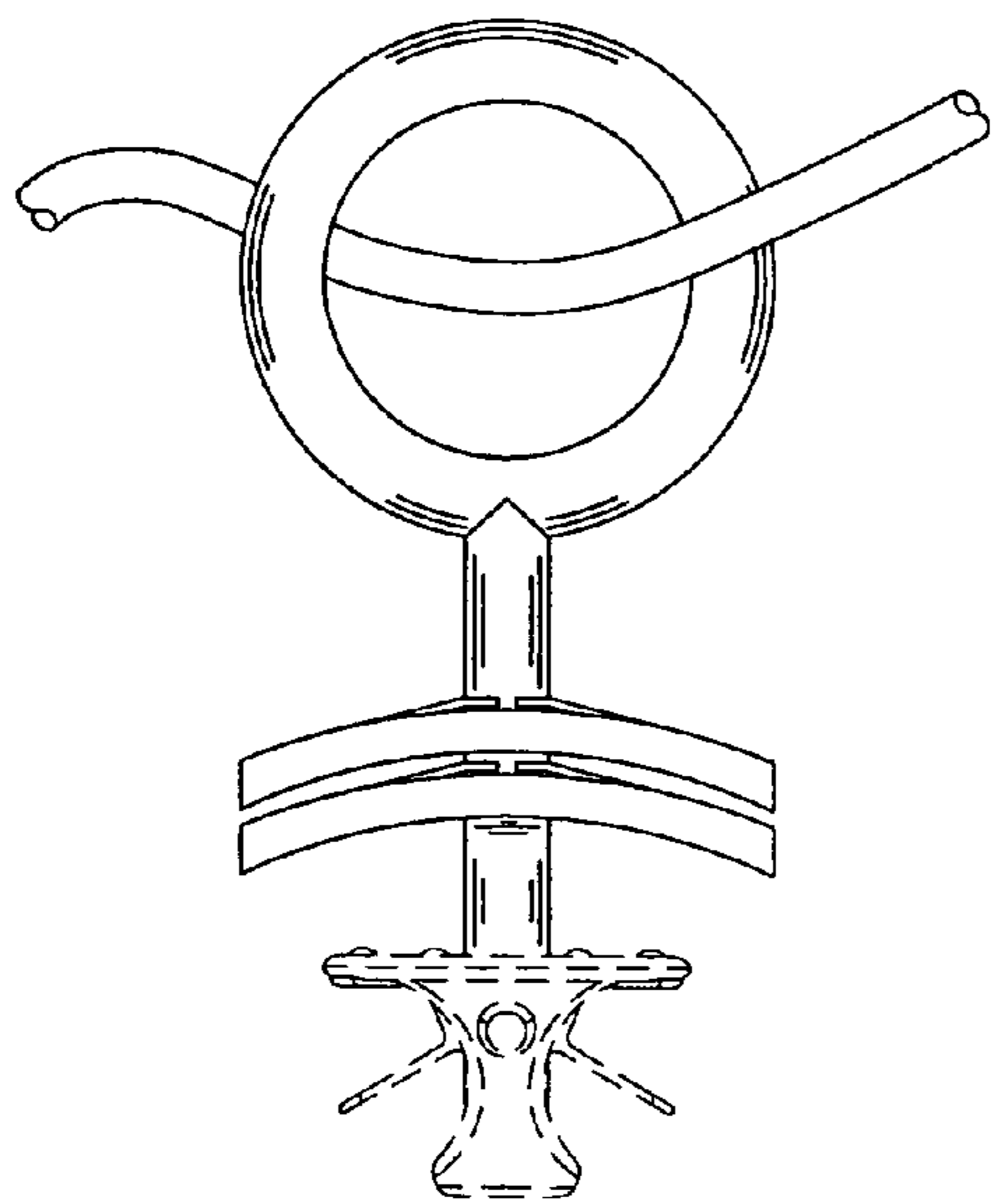


Fig. 3

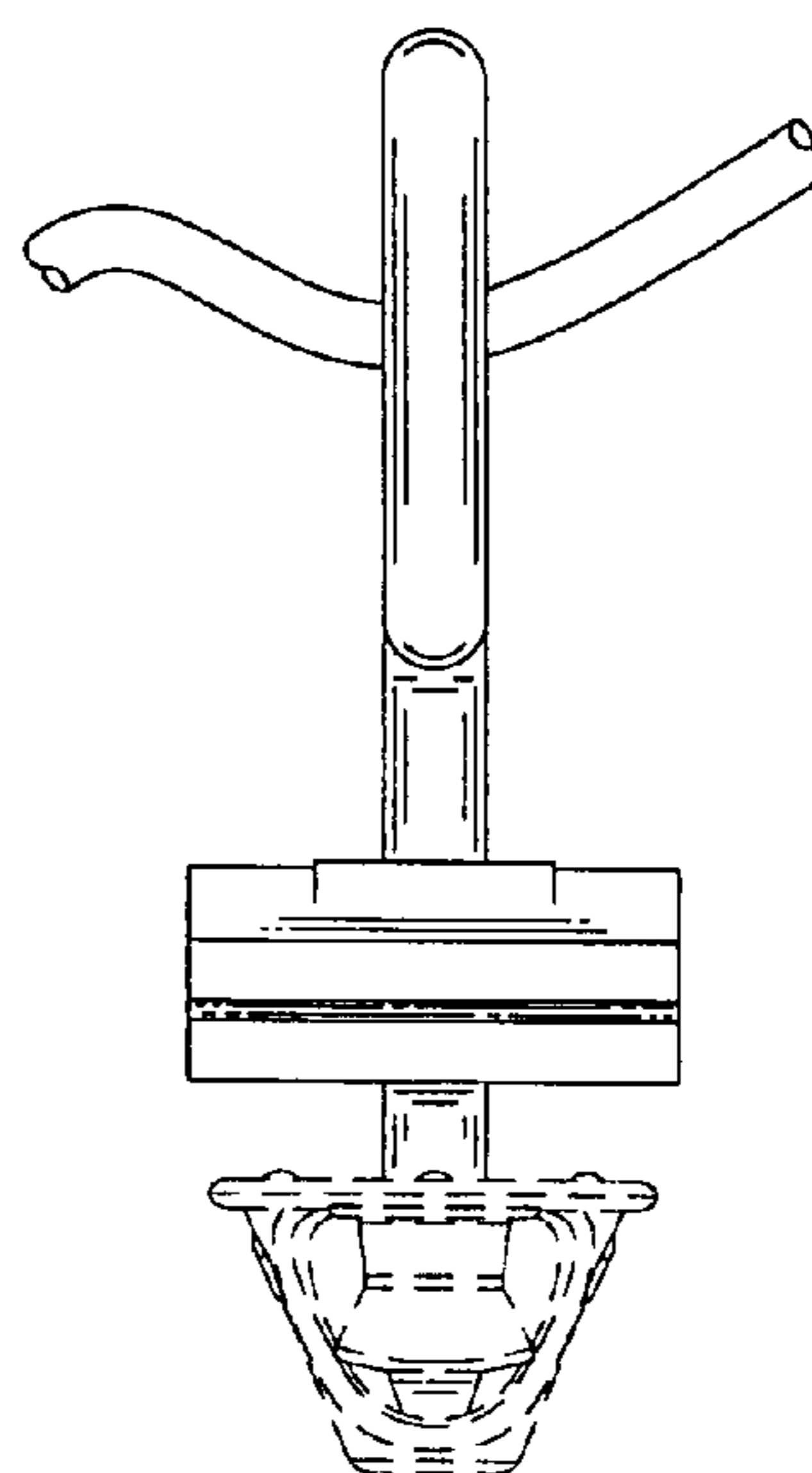


Fig. 4

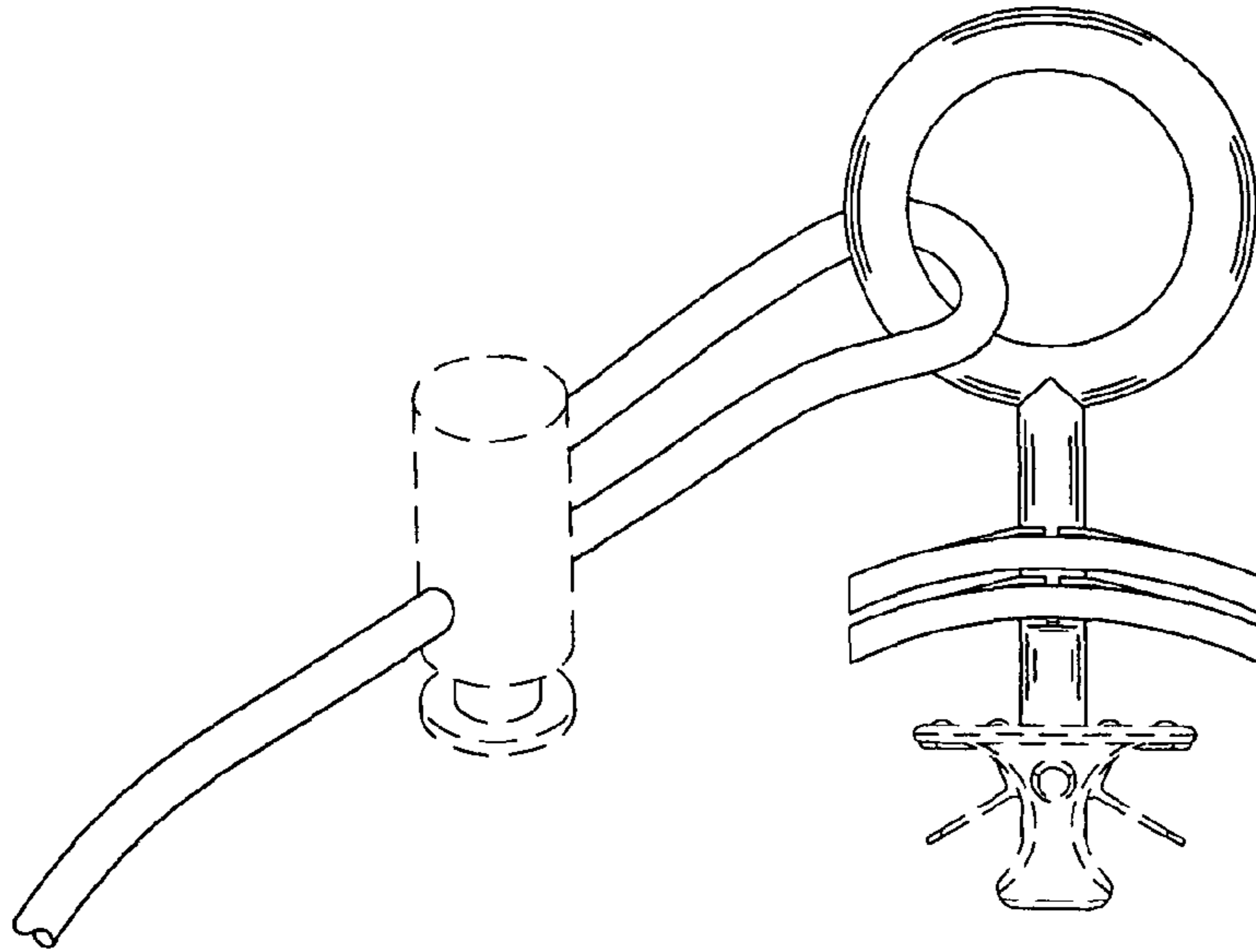


Fig. 5

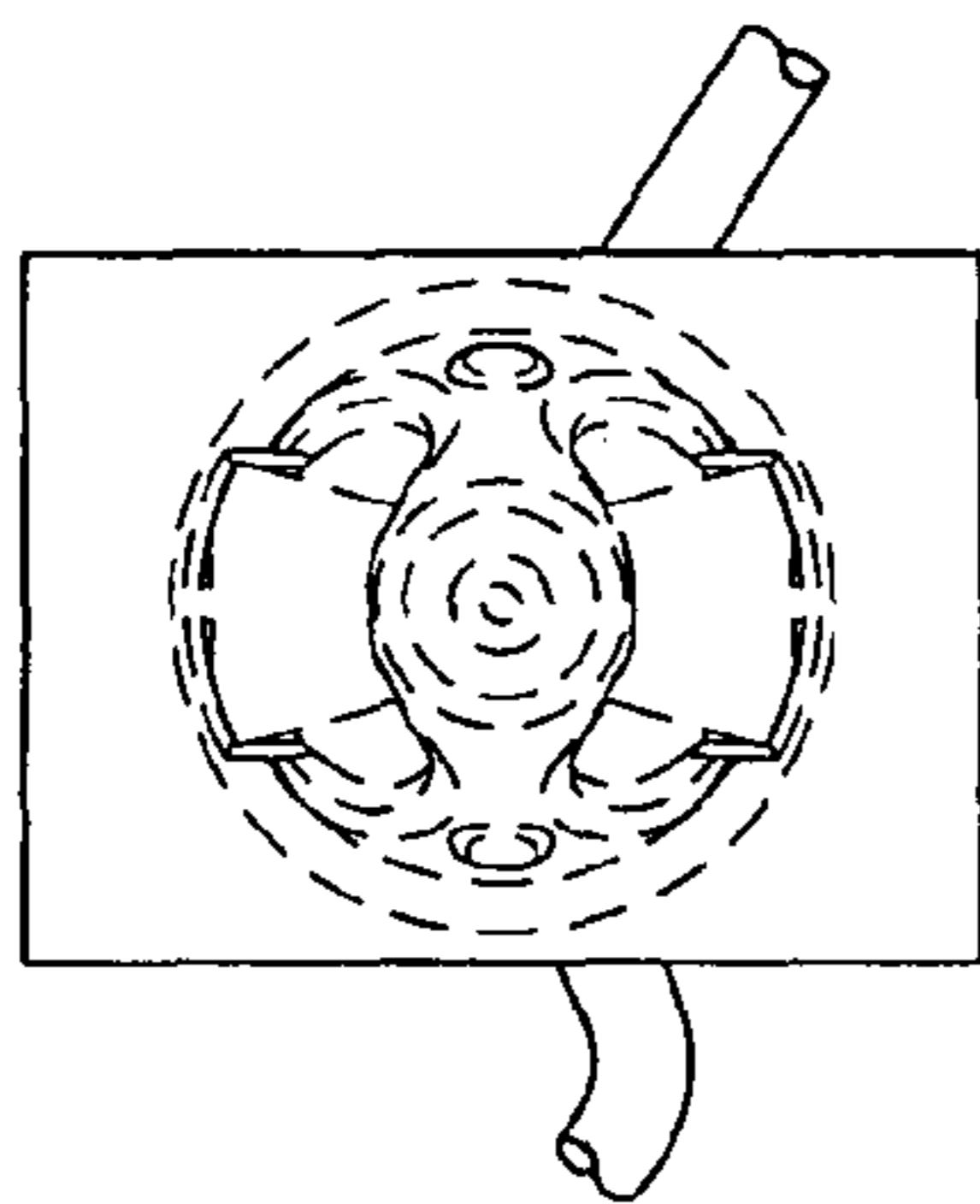


Fig. 6

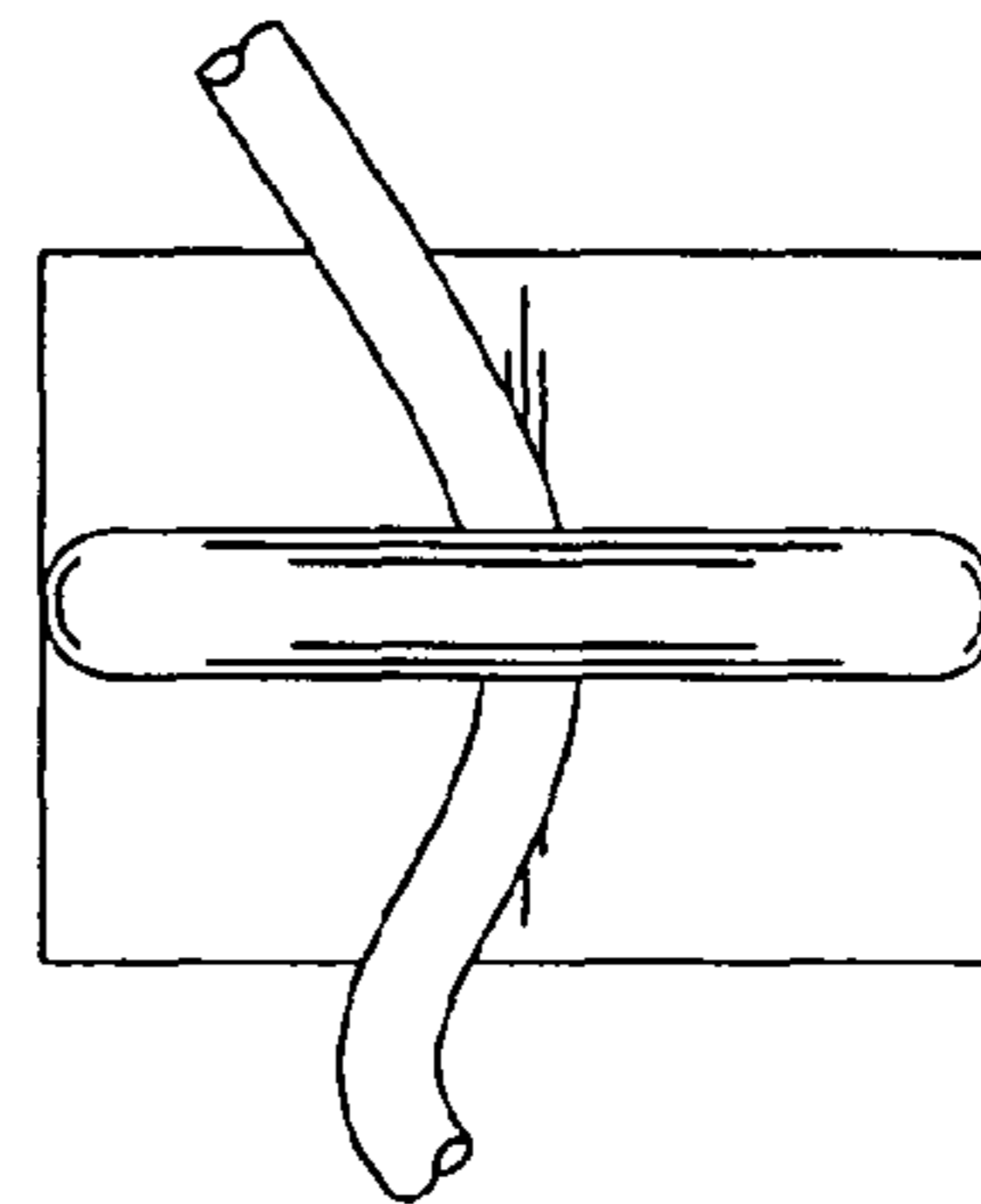


Fig. 7

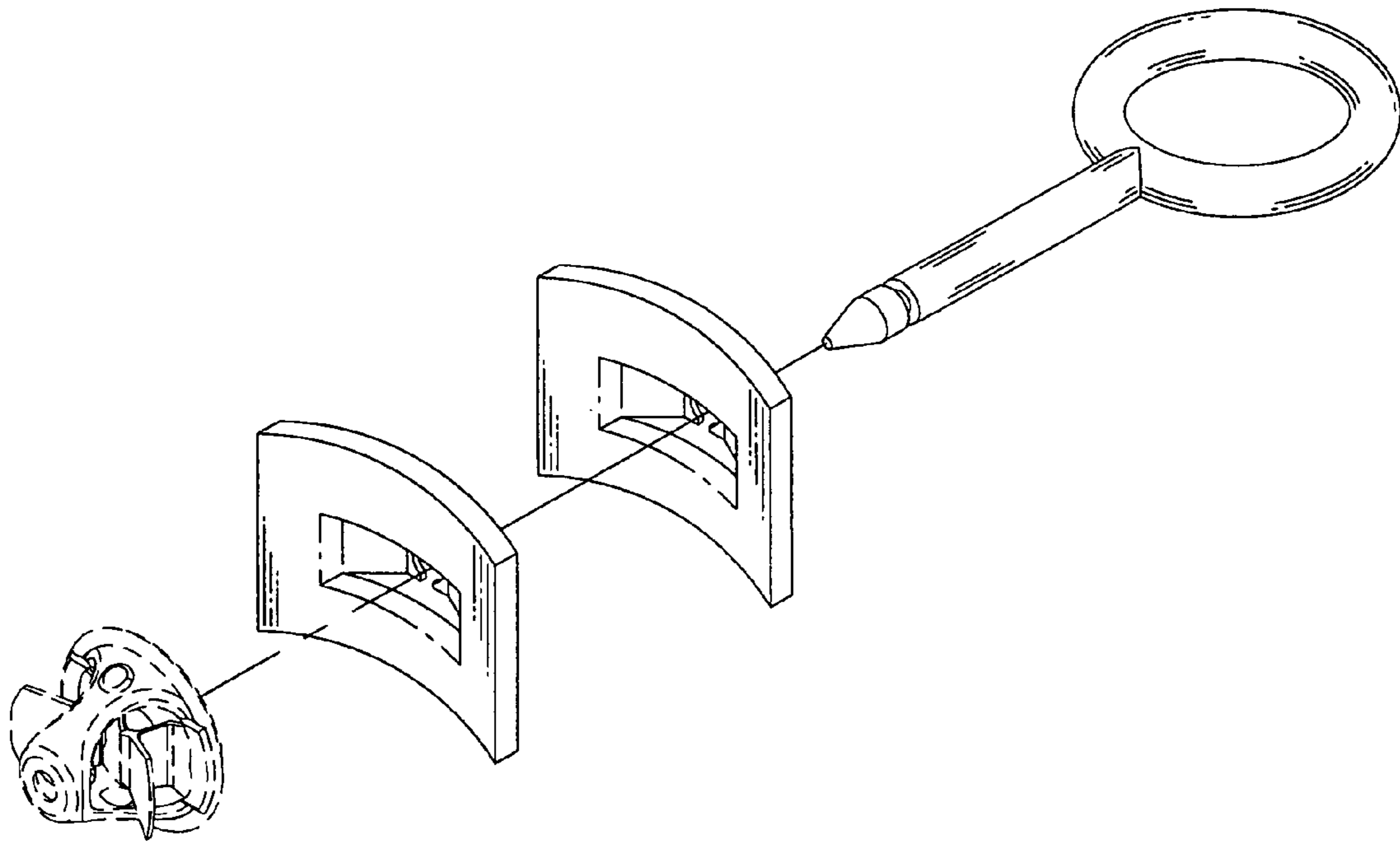


Fig. 8

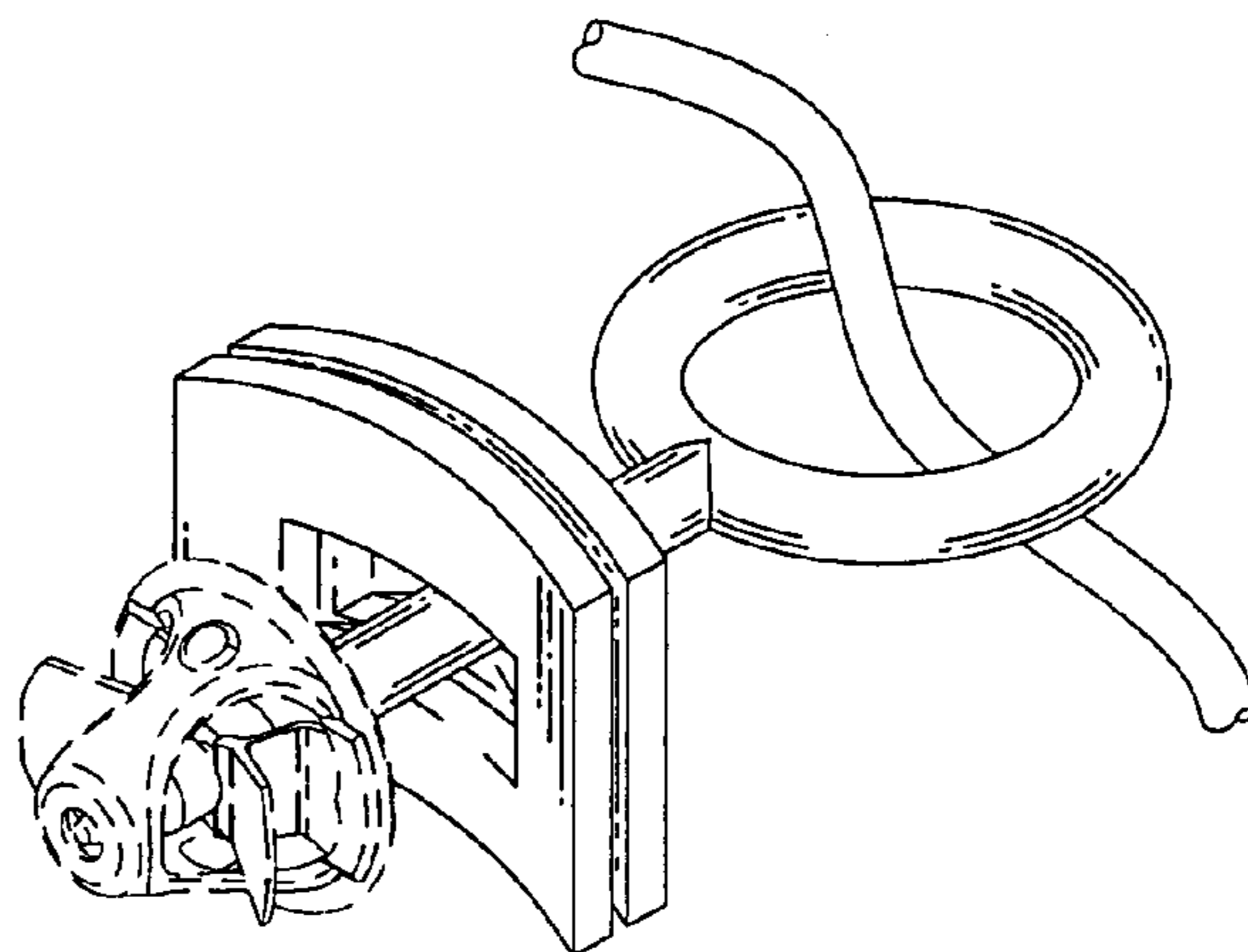


Fig. 9