



US00D678441S

(12) **United States Design Patent**
Jones

(10) **Patent No.:** **US D678,441 S**
(45) **Date of Patent:** **** Mar. 19, 2013**

(54) **GOLF PUTTER HEAD WITH SHAFT ATTACHMENT**

D584,779 S * 1/2009 Sano D21/736
D641,439 S * 7/2011 Rollinson et al. D21/736
D641,814 S * 7/2011 Hilton et al. D21/742

(76) Inventor: **Floyd B. Jones**, El Cajon, CA (US)

* cited by examiner

(**) Term: **14 Years**

Primary Examiner — Mitchell Siegel

(74) *Attorney, Agent, or Firm* — Richard D. Clarke

(21) Appl. No.: **29/404,247**

(57) **CLAIM**

I claim the ornamental design for a golf putter head with shaft attachment, as shown and described.

(22) Filed: **Oct. 18, 2011**

DESCRIPTION

(51) **LOC (9) Cl.** **21-02**

(52) **U.S. Cl.** **D21/742**

(58) **Field of Classification Search** D21/736–746;
473/324–331, 340–341, 251–256
See application file for complete search history.

FIG. 1 is a front, side and top perspective view of the golf putter head with shaft attachment, shown in place on the end of a golf club shaft;

FIG. 2 is a top view of the golf putter head with shaft attachment;

FIG. 3 is a bottom view of the golf putter head with shaft attachment;

FIG. 4 is a front view of the golf putter head with shaft attachment;

FIG. 5 is a rear view of the golf putter head with shaft attachment;

FIG. 6 is a side elevation view of the left side of the golf putter head with shaft attachment; and,

FIG. 7 is a side elevation view of the right side of the golf putter head with shaft attachment.

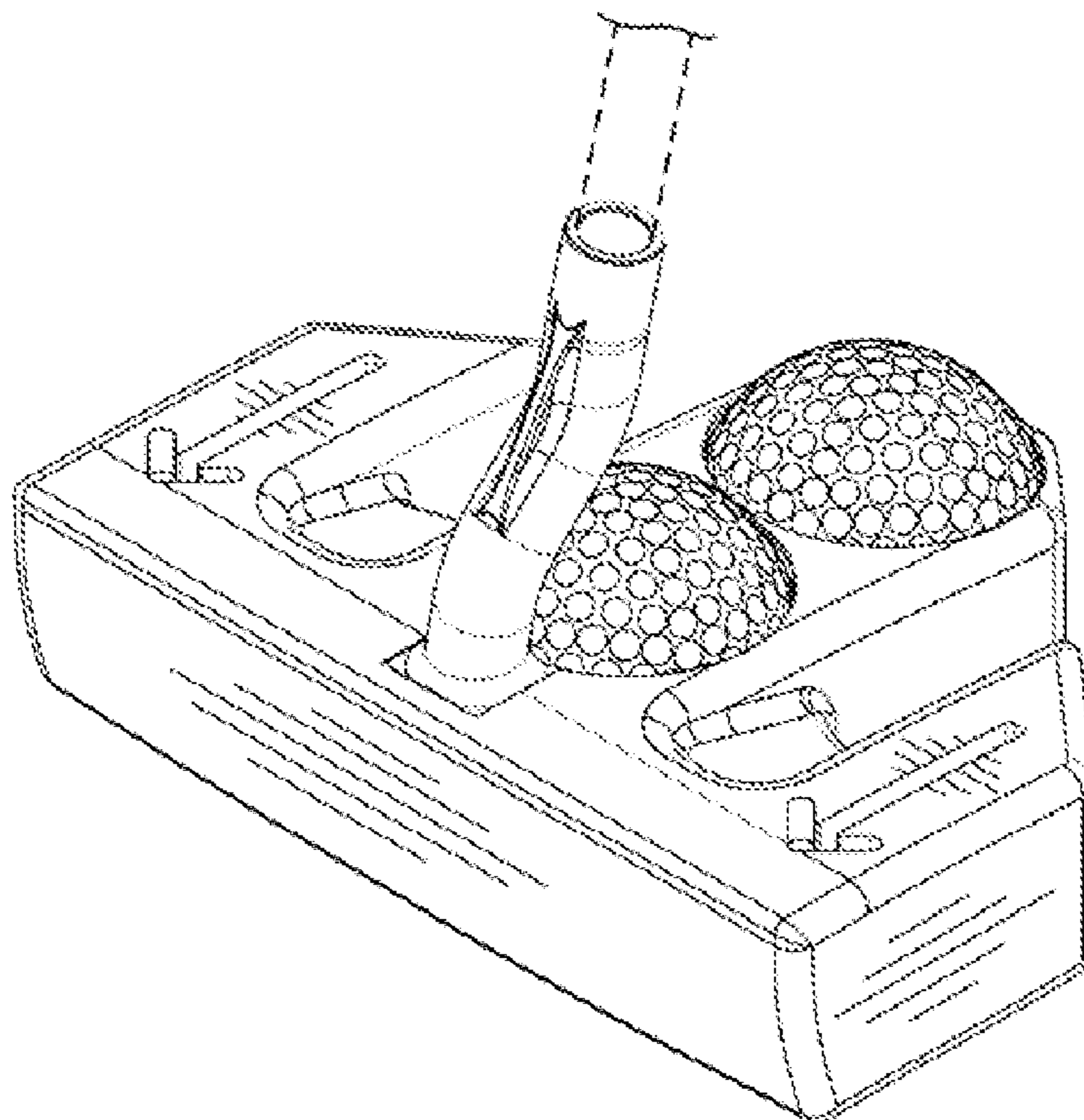
The broken line showing of environment in FIG. 1 is included for the purpose of illustration only and forms no part of the claimed design.

(56) **References Cited**

U.S. PATENT DOCUMENTS

D230,615 S *	3/1974	Delgadillo	D21/735
D241,563 S *	9/1976	McCord	D21/735
4,688,798 A *	8/1987	Pelz	473/249
4,809,977 A *	3/1989	Doran et al.	473/249
4,809,981 A *	3/1989	Doran et al.	473/249
D307,309 S *	4/1990	Doran et al.	D21/735
D307,931 S *	5/1990	Doran et al.	D21/735
D309,765 S *	8/1990	Pelz	D21/735
D309,766 S *	8/1990	Pelz	D21/735
D317,962 S *	7/1991	Pelz	D21/735
D356,846 S *	3/1995	Murrill	D21/741
D374,470 S *	10/1996	Steele	D21/745
D380,801 S *	7/1997	Steele	D21/744
D529,560 S *	10/2006	Madore	D21/743
D534,974 S *	1/2007	Haack	D21/743

1 Claim, 2 Drawing Sheets



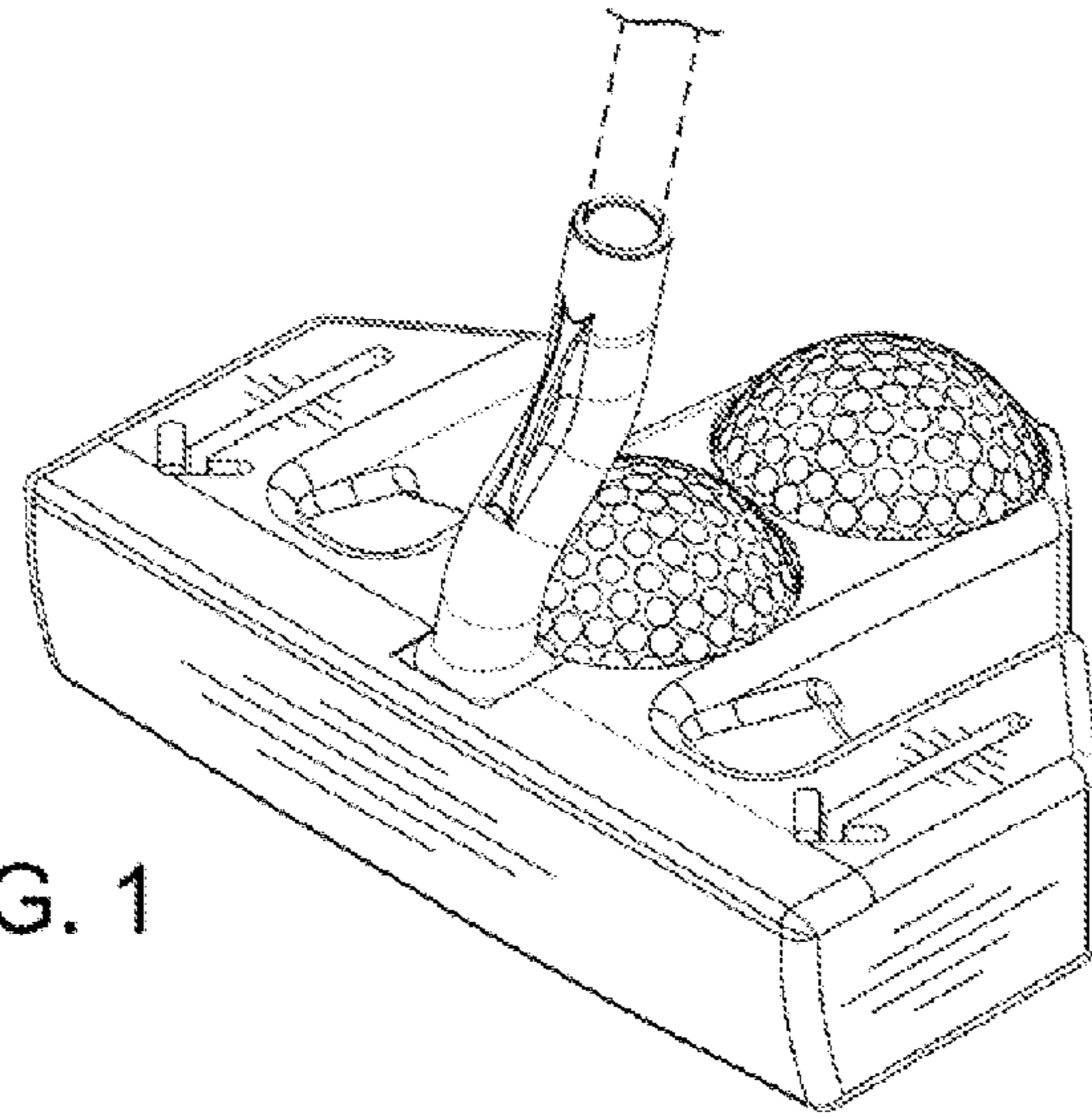


FIG. 1

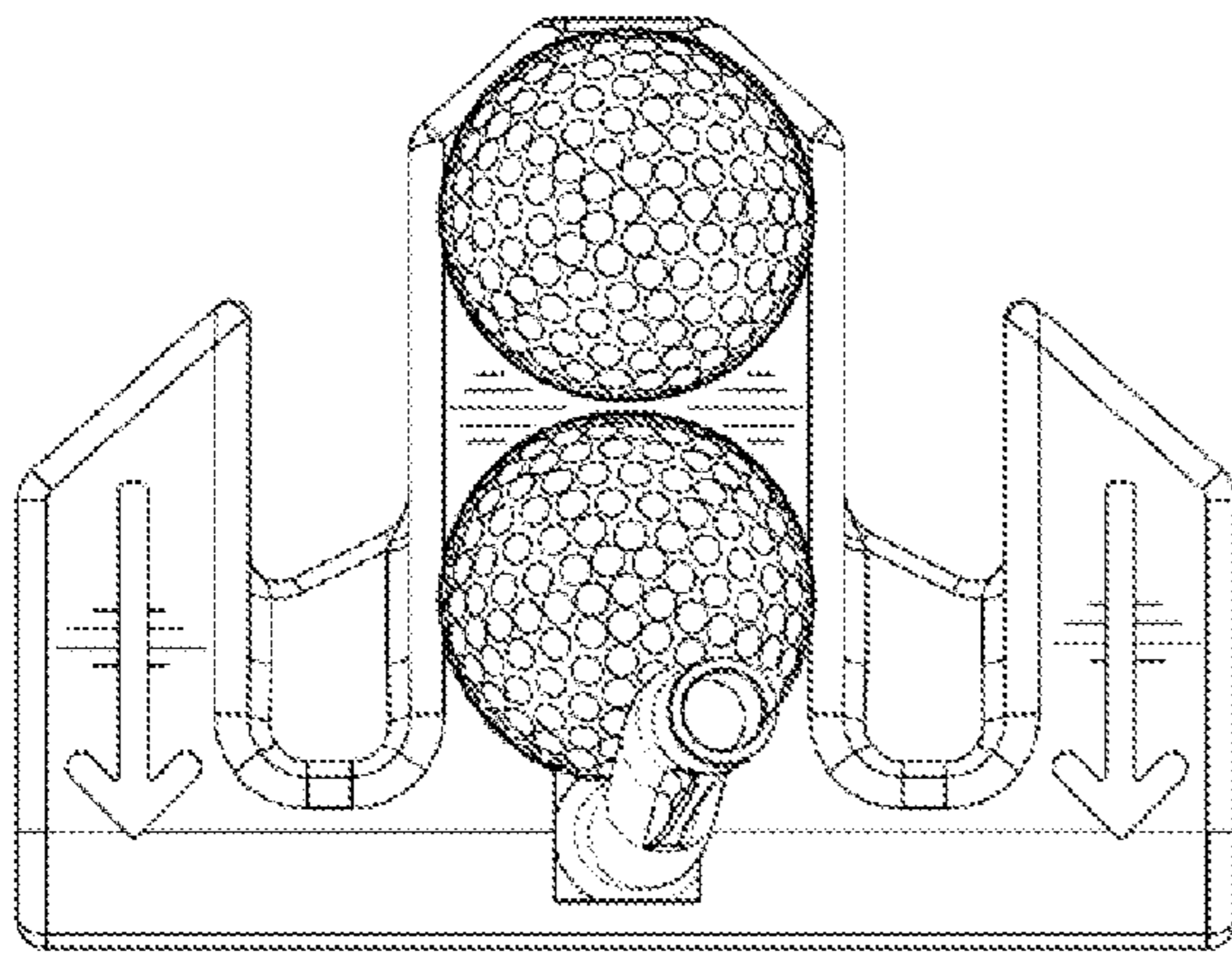


FIG. 2

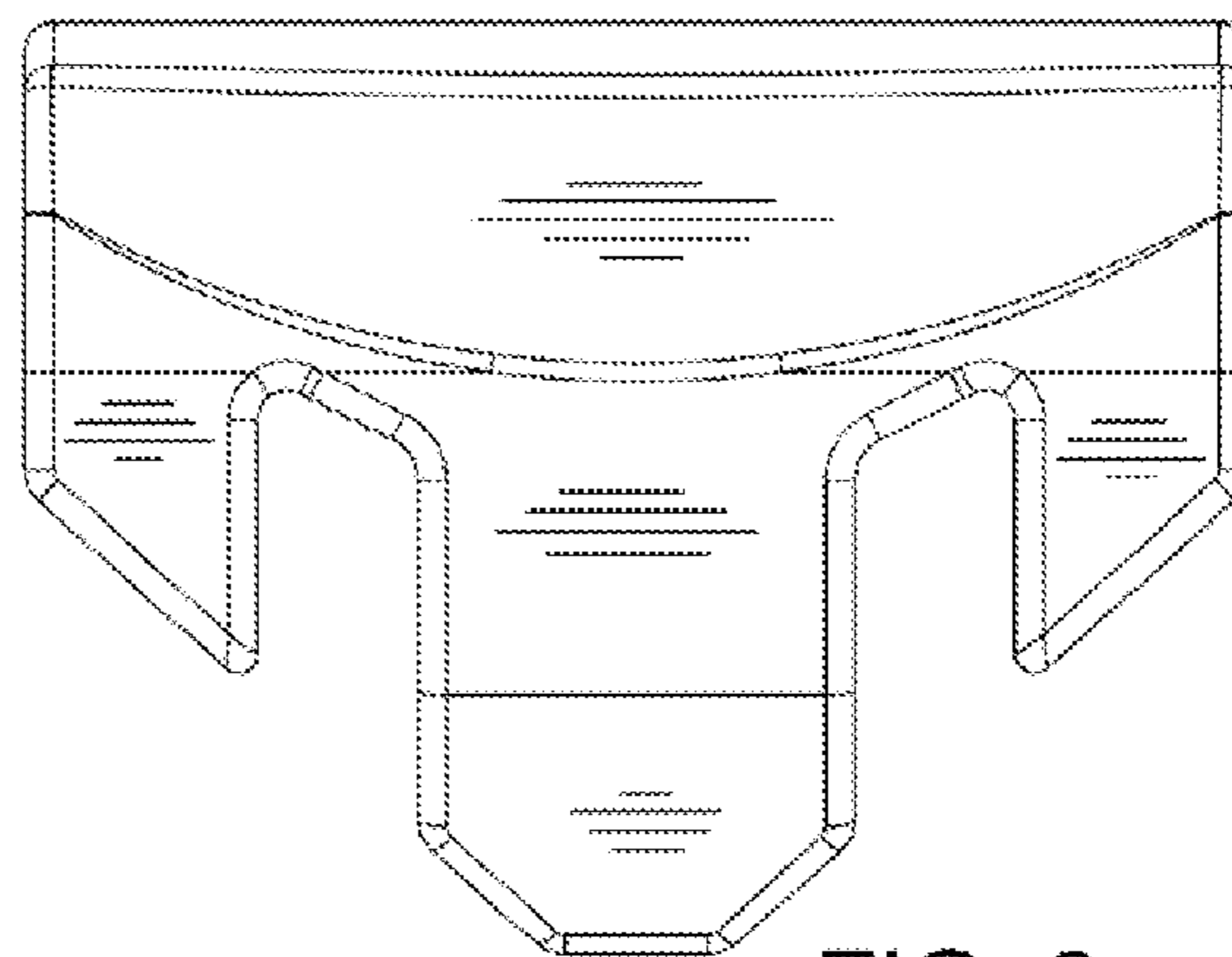


FIG. 3

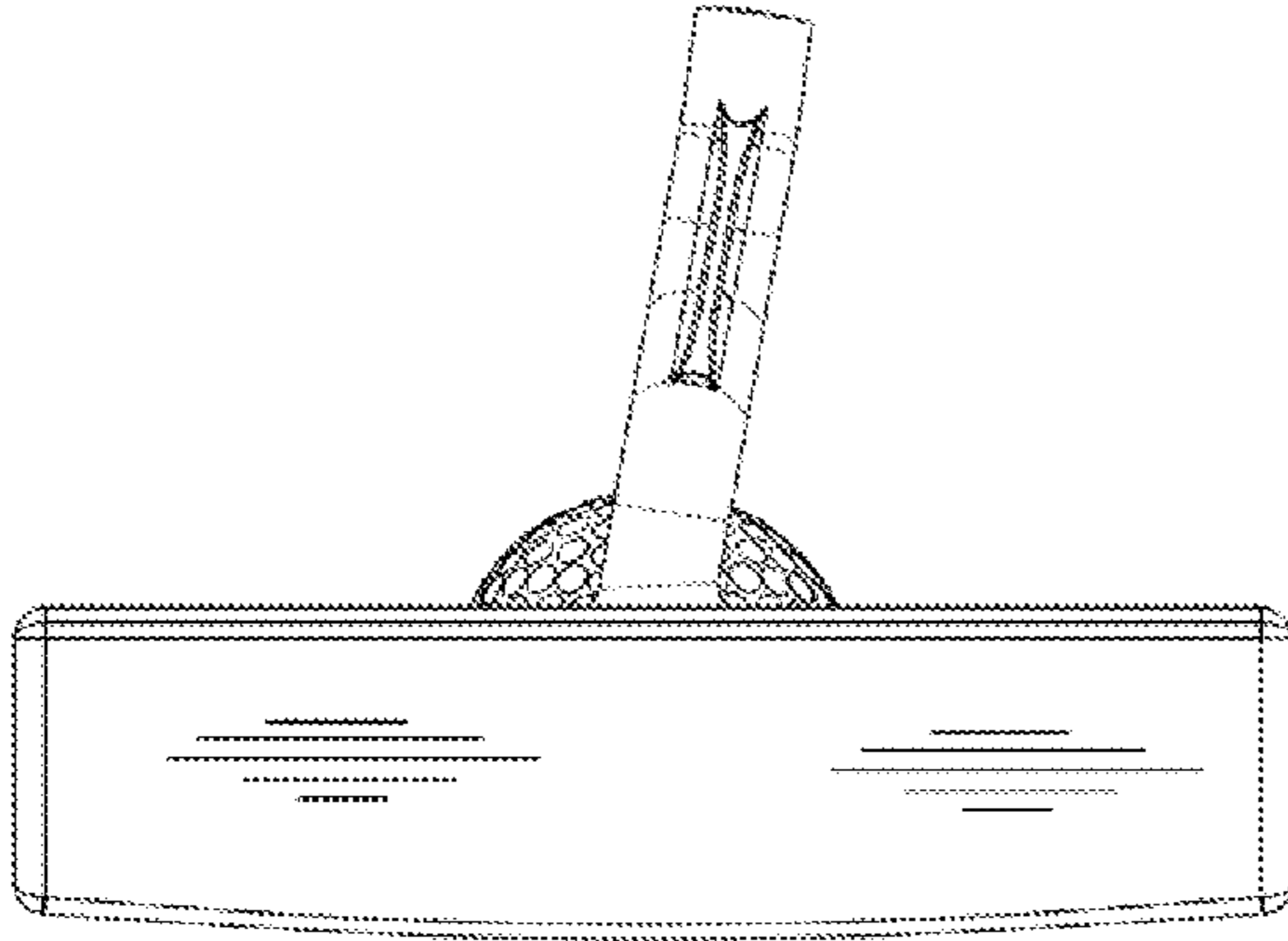


FIG. 4

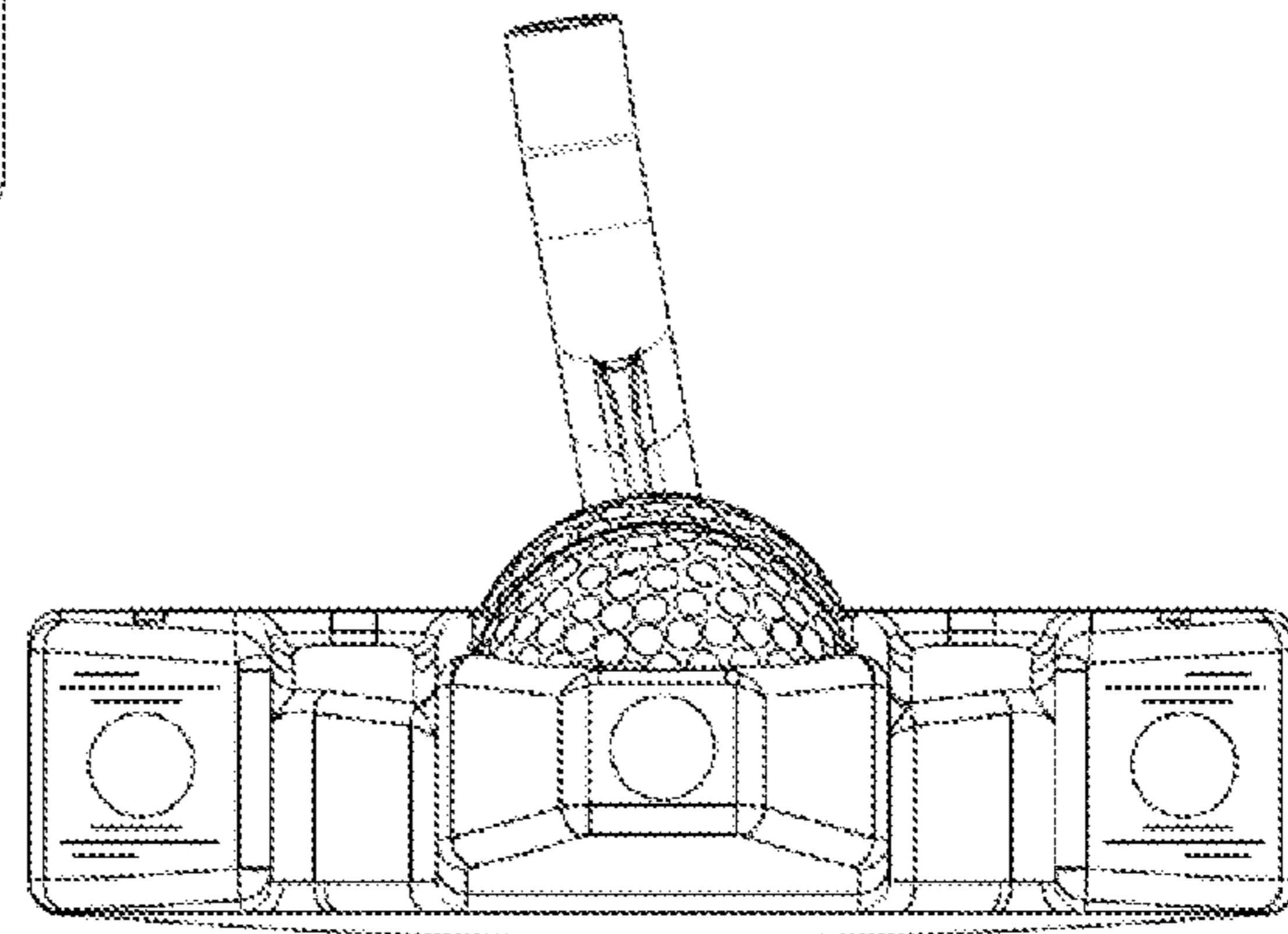


FIG. 5

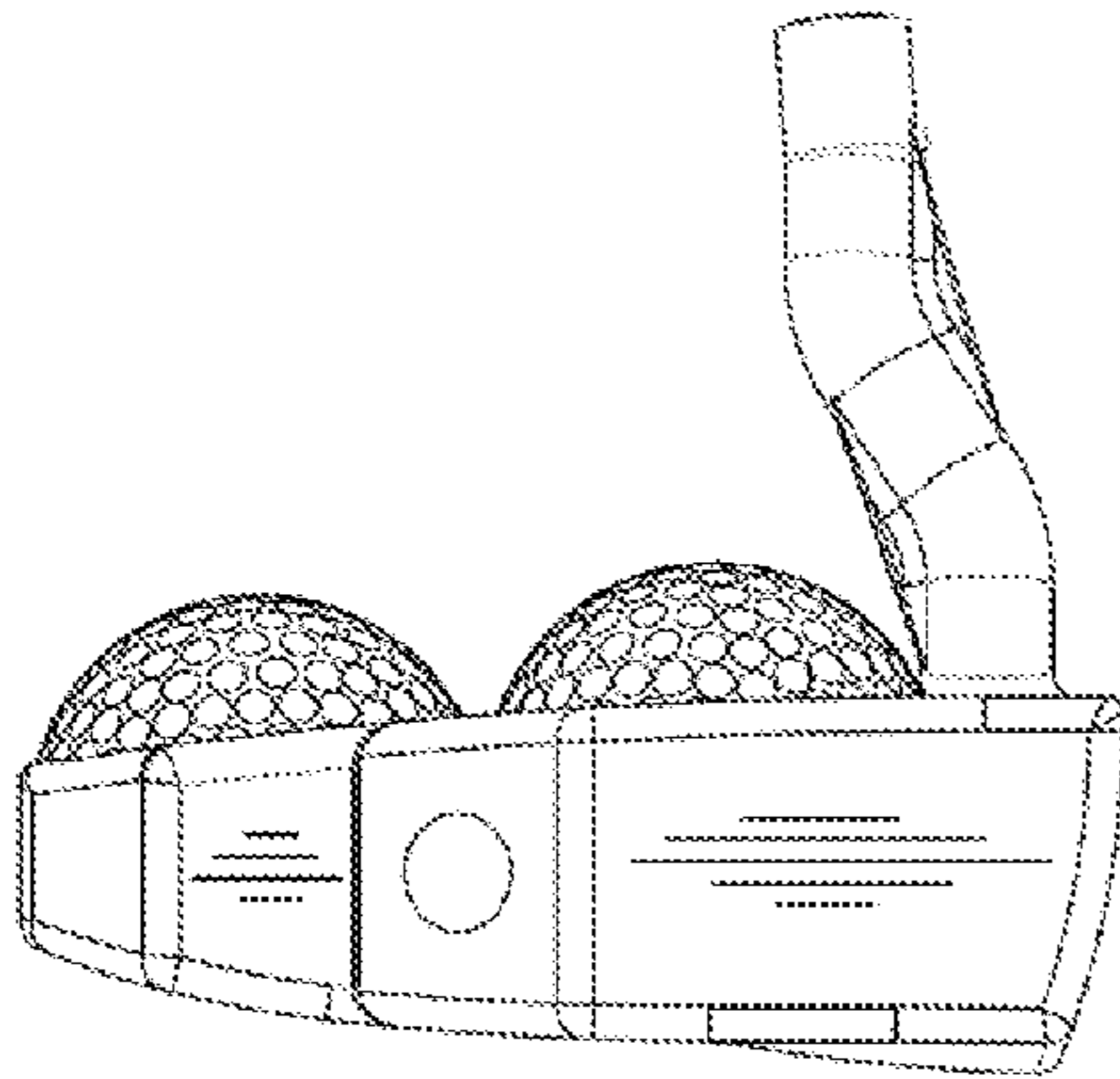


FIG. 6

FIG. 7

