



US00D678436S

(12) **United States Design Patent**
Kulzer

(10) **Patent No.:** **US D678,436 S**

(45) **Date of Patent:** **** Mar. 19, 2013**

(54) **FOOT**

(75) Inventor: **Darrell A. Kulzer**, Denver, CO (US)

(73) Assignee: **B&R Plastics, Inc.**, Denver, CO (US)

(**) Term: **14 Years**

(21) Appl. No.: **29/415,312**

(22) Filed: **Mar. 9, 2012**

(51) **LOC (9) Cl.** **21-02**

(52) **U.S. Cl.** **D21/694**

(58) **Field of Classification Search** D21/671,
D21/682, 686, 694, 408, 753, 756; D8/80,
D8/107, 310, 321, 387, DIG. 2; D3/7, 13,
D3/316; D30/118, 156; 74/543, 558.5; 16/421,
16/DIG. 12; 132/2.1; D11/89, 90, 117, 131,
D11/157; D6/349, 495, 601; 482/51, 142
See application file for complete search history.

(56) **References Cited**

U.S. PATENT DOCUMENTS

| | | | |
|--------------|---------|--------------------|---------|
| D40,889 S * | 9/1910 | Fishel | D11/90 |
| D55,634 S * | 7/1920 | Monkhouse | D21/408 |
| D73,182 S * | 8/1927 | Kasch | D8/310 |
| D252,185 S * | 6/1979 | Akamatsu | D8/387 |
| D265,232 S * | 6/1982 | Ronvik | D23/250 |
| D346,134 S * | 4/1994 | Chin-Sheng | D11/131 |
| D351,569 S * | 10/1994 | Chin-Sheng | D11/117 |
| D351,623 S * | 10/1994 | Seiler | D21/336 |
| D369,314 S * | 4/1996 | Yang | D11/121 |
| D370,038 S * | 5/1996 | Wright et al. | D21/671 |

| | | | |
|----------------|---------|----------------------|---------|
| D435,007 S * | 12/2000 | Moore | D12/213 |
| D443,244 S * | 6/2001 | Almaraz | D12/213 |
| D498,636 S * | 11/2004 | Kuo | D6/601 |
| 7,146,827 B2 * | 12/2006 | Mardkha | 63/32 |
| D629,478 S * | 12/2010 | Appleton et al. | D21/753 |
| D630,017 S * | 1/2011 | Graff | D3/316 |
| D631,117 S * | 1/2011 | Appleton et al. | D21/756 |
| D634,797 S * | 3/2011 | Holleman | D21/694 |
| D648,410 S * | 11/2011 | Sims et al. | D21/753 |
| D651,263 S * | 12/2011 | Kulzer | D21/686 |
| D655,767 S * | 3/2012 | Thompson et al. | D21/753 |

* cited by examiner

Primary Examiner — Susan E Krakower

(74) *Attorney, Agent, or Firm* — William W. Cochran;
Cochran Freund & Young LLC

(57) **CLAIM**

The ornamental design for a foot, as shown and described.

DESCRIPTION

FIG. 1 is a front isometric view of a foot showing my new design.

FIG. 2 is a top view thereof.

FIG. 3 is a bottom view thereof.

FIG. 4 is a front view thereof.

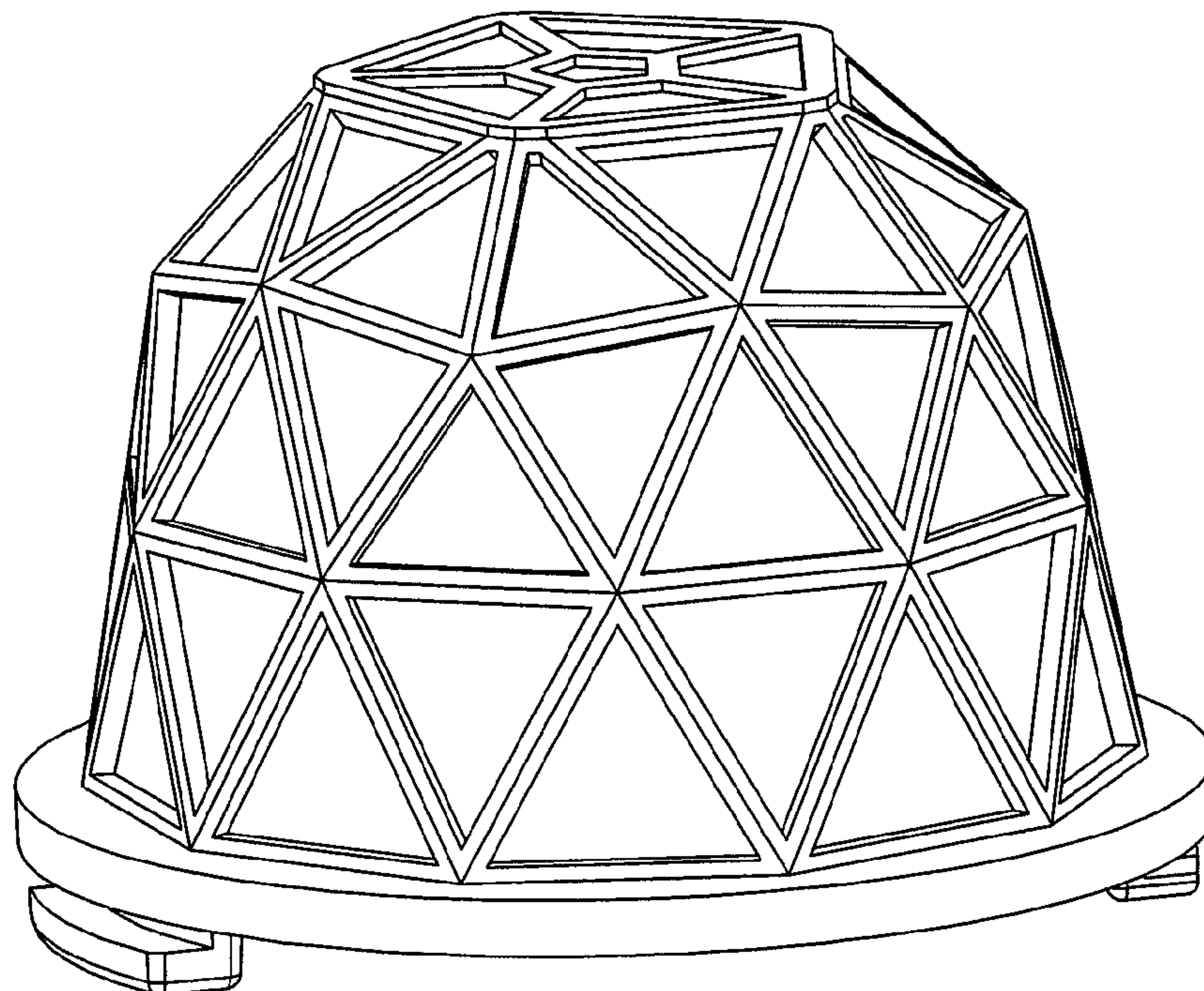
FIG. 5 is a back view thereof.

FIG. 6 is a left side view thereof; and,

FIG. 7 is a right side view thereof.

The broken lines in FIG. 3 illustrate portions of the foot which form no part of the claimed design.

1 Claim, 7 Drawing Sheets



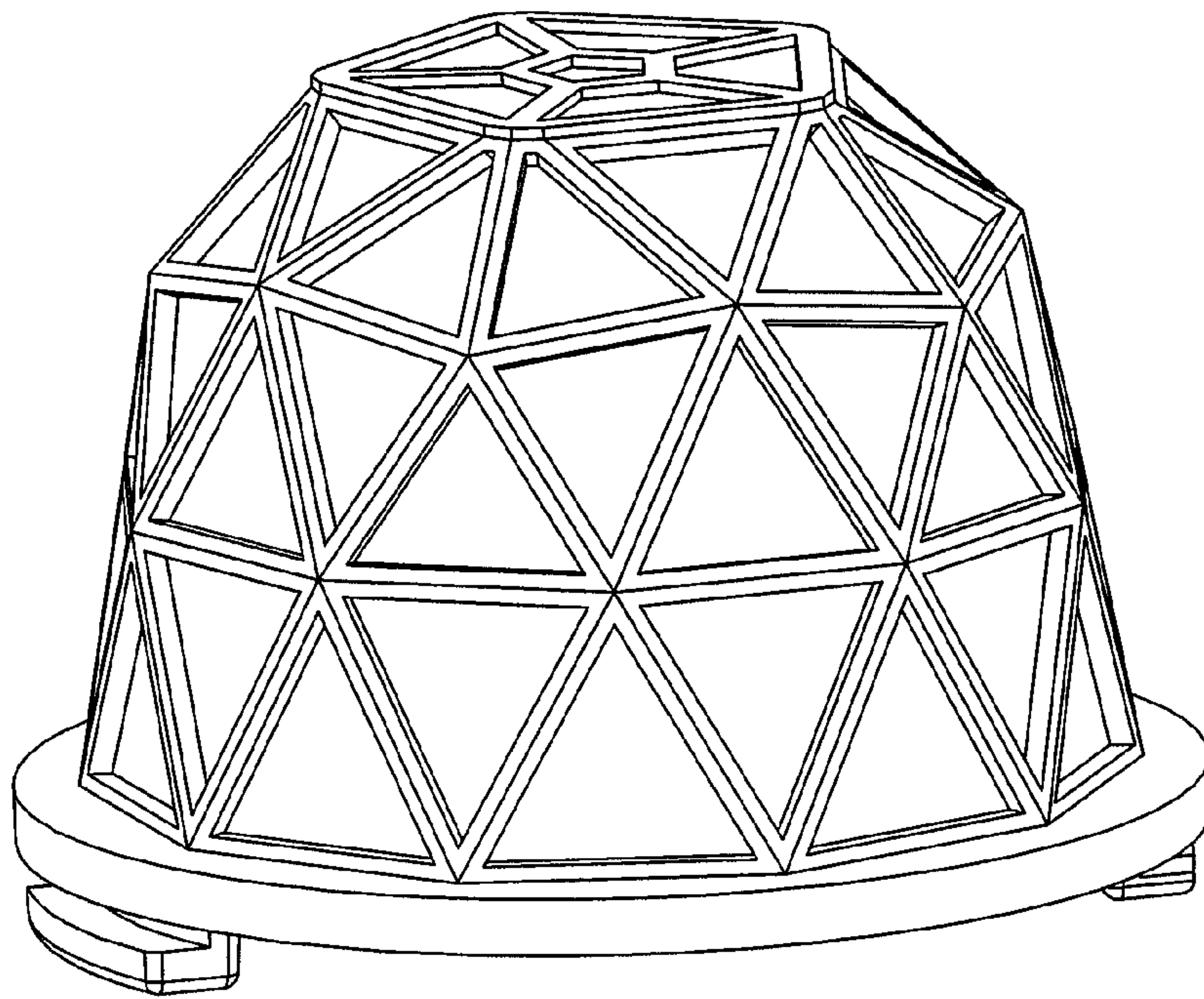


Fig. 1

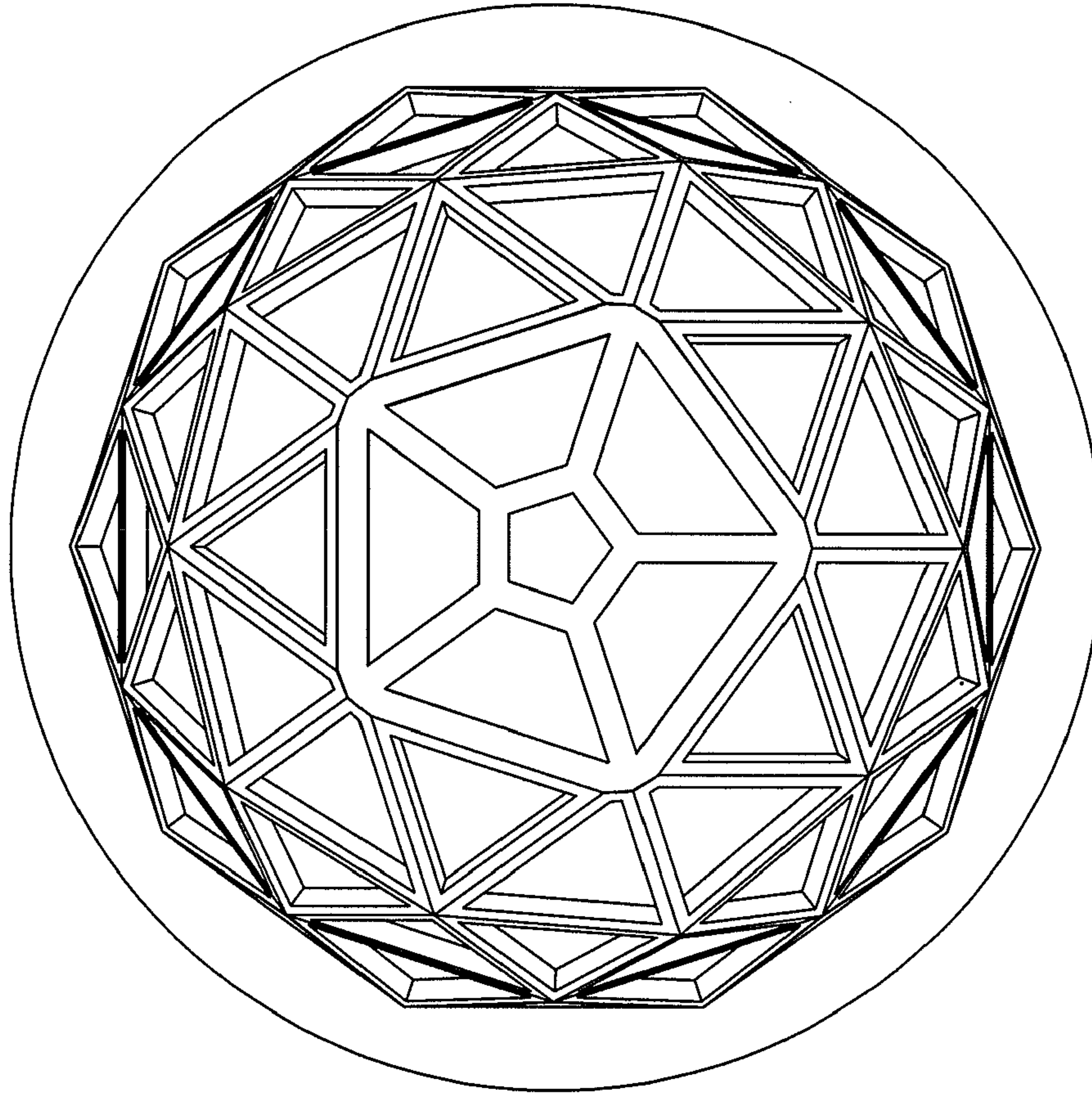


Fig. 2

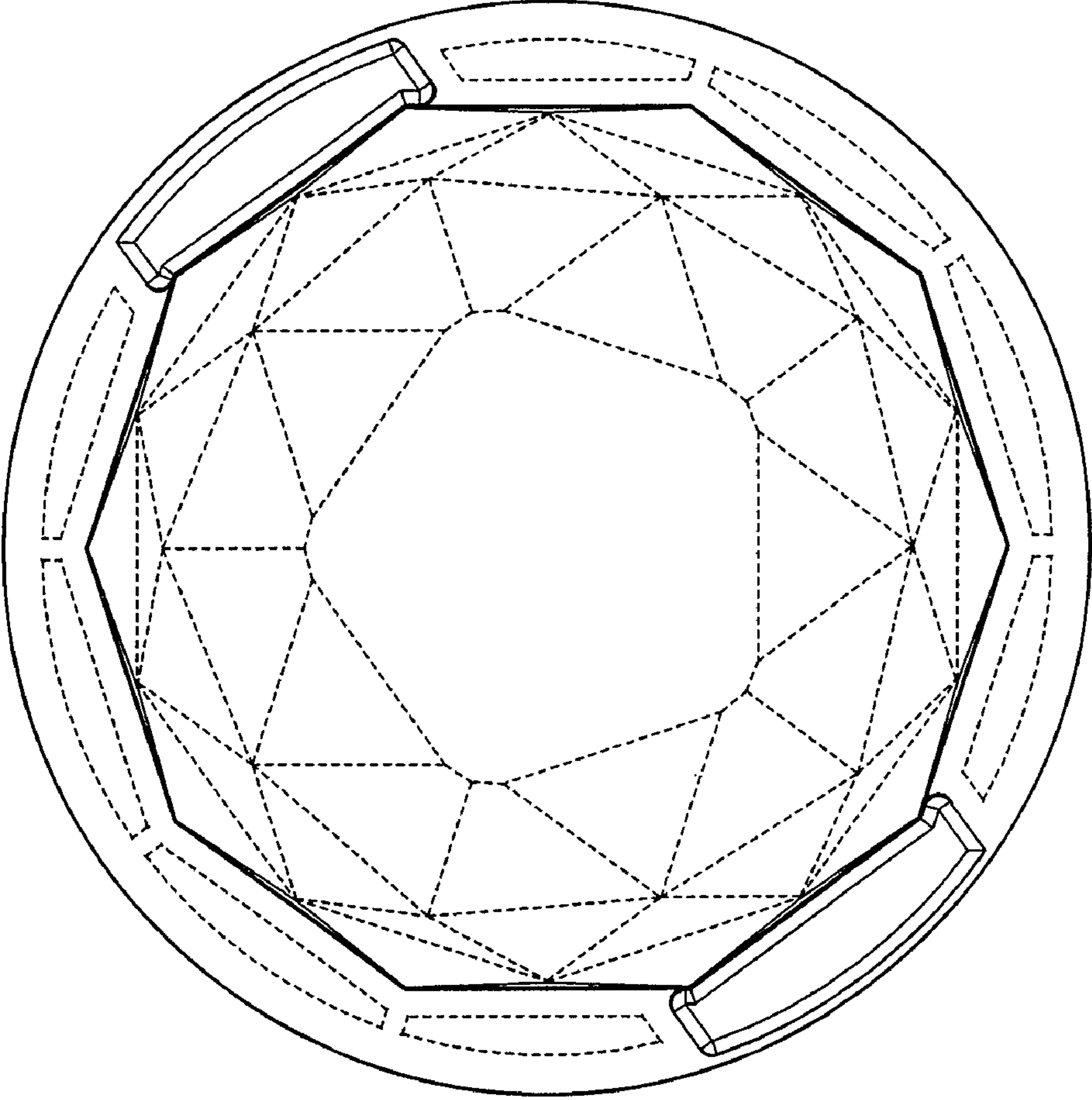


Fig. 3

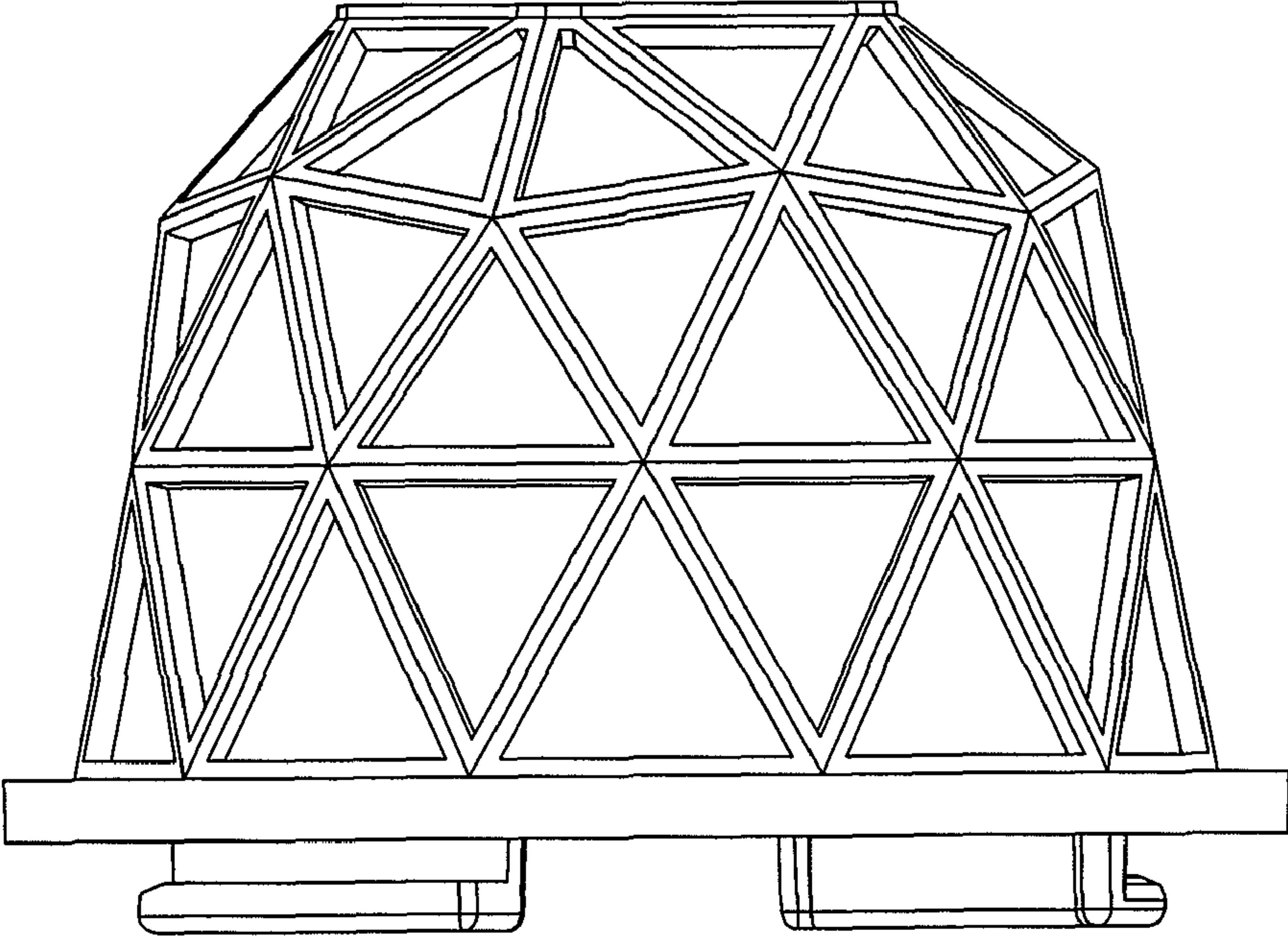


Fig. 4

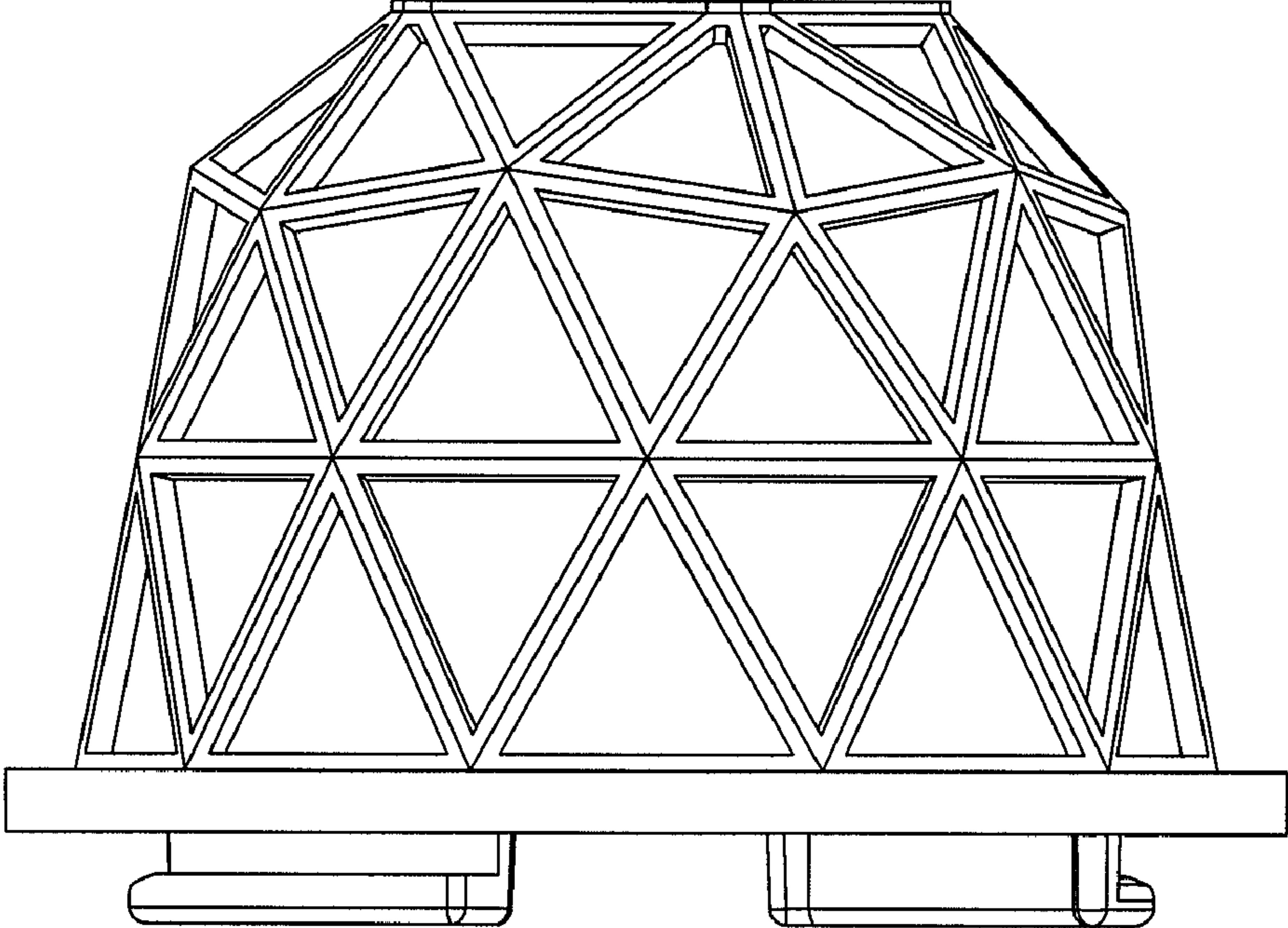


Fig. 5

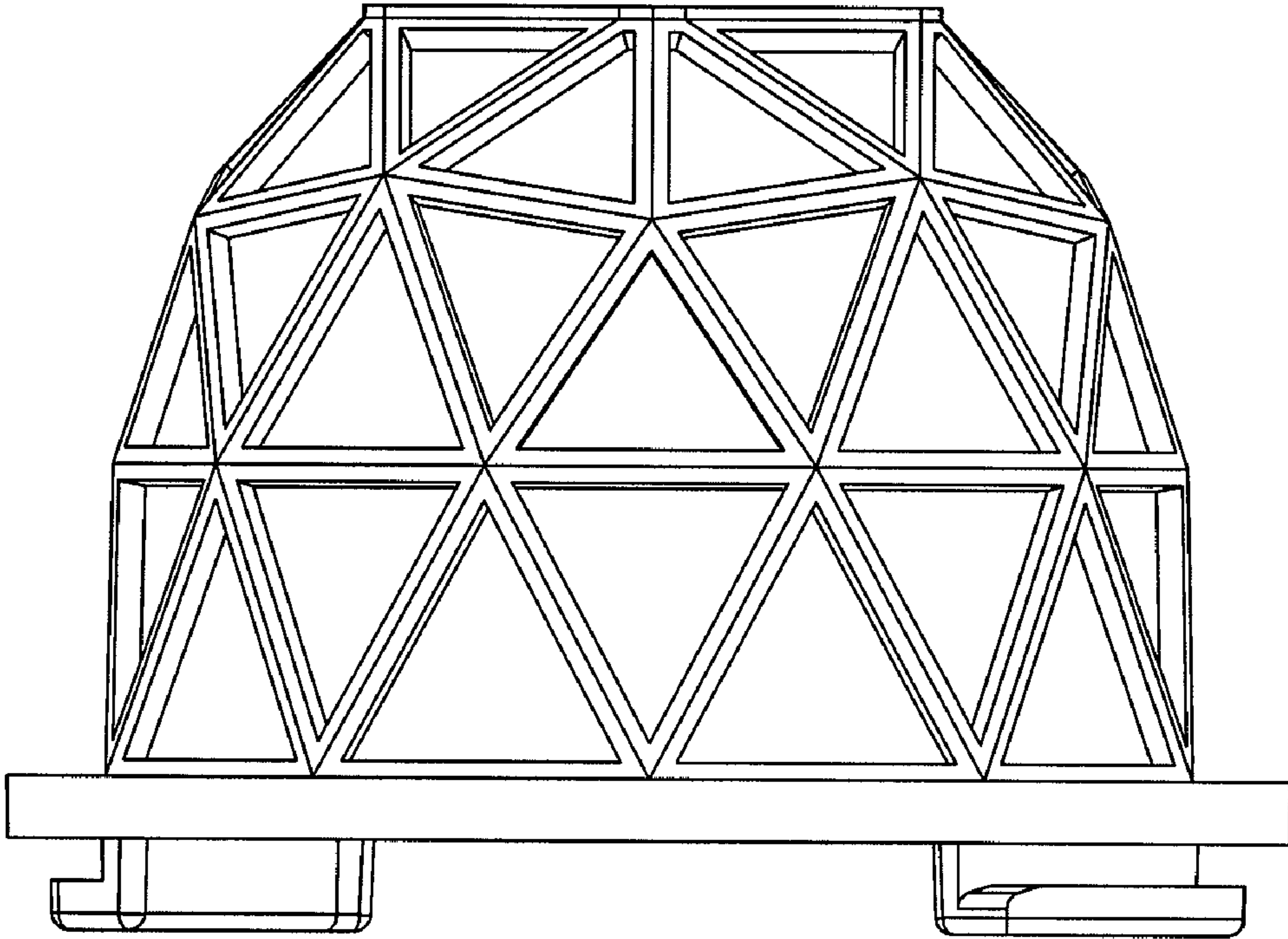


Fig. 6

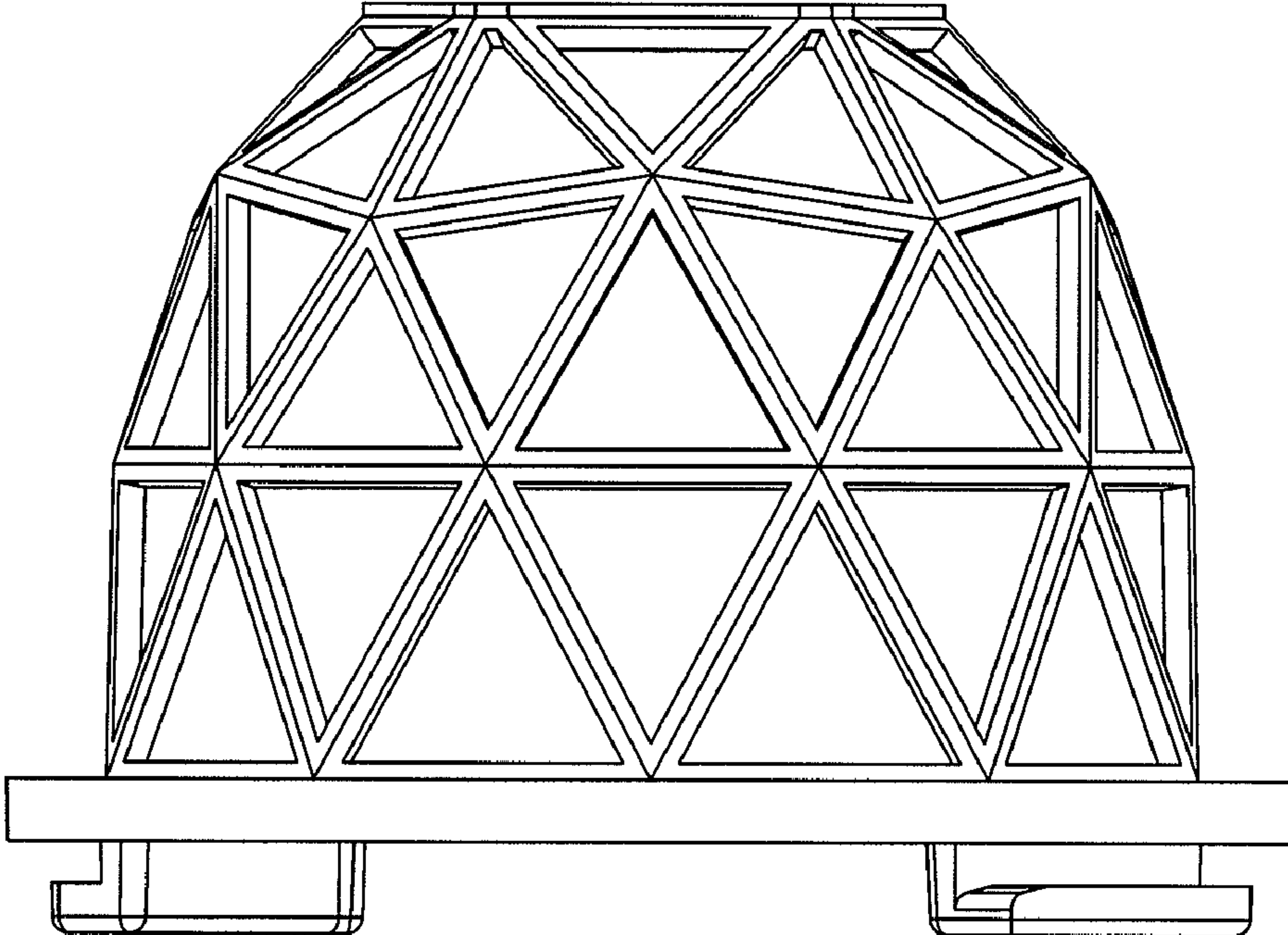


Fig. 7