



US00D678435S

(12) **United States Design Patent**
Parsons et al.

(10) **Patent No.:** **US D678,435 S**
(45) **Date of Patent:** **** Mar. 19, 2013**

- (54) **STRENGTH TRAINING DEVICE**
- (75) Inventors: **Shelley Parsons**, Ann Arbor, MI (US);
Scott Andrew Turpin, Troy, MI (US);
Kim Michelle Sheward, Rochester Hills, MI (US); **Cheryl Lynn Cantin**, South Lyon, MI (US)
- (73) Assignee: **Upstart Fitness, LLC**, Ann Arbor, MI (US)
- (**) Term: **14 Years**
- (21) Appl. No.: **29/416,917**
- (22) Filed: **Mar. 28, 2012**
- (51) **LOC (9) Cl.** **21-02**
- (52) **U.S. Cl.** **D21/692; D21/662**
- (58) **Field of Classification Search** D21/662,
D21/673, 686, 692, 694; 482/8, 83, 110,
482/120, 121, 122, 123, 126, 127, 128, 140
See application file for complete search history.

(56) **References Cited**

U.S. PATENT DOCUMENTS

1,023,756	A	4/1912	Pons	
3,746,339	A	7/1973	Cox	
5,046,726	A	9/1991	Van Straaten	
5,160,304	A *	11/1992	Van Der Hoeven	482/128
D379,835	S *	6/1997	Chen	D21/686
5,637,066	A *	6/1997	Chang	482/126
5,651,755	A *	7/1997	Chen	482/128
D382,318	S *	8/1997	Hollinger	D21/673
D386,225	S *	11/1997	Chen	D21/692
5,690,597	A *	11/1997	Enfaradi	482/126
D387,401	S *	12/1997	Huang	D21/692
5,695,436	A *	12/1997	Huang	482/121
5,749,815	A *	5/1998	Lipps	482/122
5,795,275	A *	8/1998	Van Der Hoeven et al.	482/122
D403,163	S *	12/1998	Lipps	D21/692

D408,063	S *	4/1999	Van Der Hoeven et al.	D21/692
5,913,756	A *	6/1999	Glaser	482/128
D426,275	S *	6/2000	Sealy	D21/692
6,077,205	A *	6/2000	Zarillo et al.	482/121
6,110,082	A *	8/2000	Tsai	482/121
6,488,614	B1 *	12/2002	Chang	482/110
6,616,582	B1 *	9/2003	Jiang	482/140
6,712,742	B2 *	3/2004	Suiter	482/140
D509,862	S *	9/2005	Tsai	D21/662
D519,587	S	4/2006	McCarty et al.	
7,052,443	B2 *	5/2006	Phillips	482/83
7,115,079	B2 *	10/2006	Yu	482/126
D589,574	S *	3/2009	Tsai	D21/692
7,578,773	B2	8/2009	Gronda et al.	
7,628,741	B2	12/2009	Adcock et al.	
7,674,209	B2	3/2010	Greene	
7,717,825	B2 *	5/2010	Van Der Hoeven	482/8
D668,305	S *	10/2012	Wu	D21/692

* cited by examiner

Primary Examiner — Susan E Krakower

(74) *Attorney, Agent, or Firm* — Gifford, Krass, Sprinkle, Anderson & Citkowski, P.C.

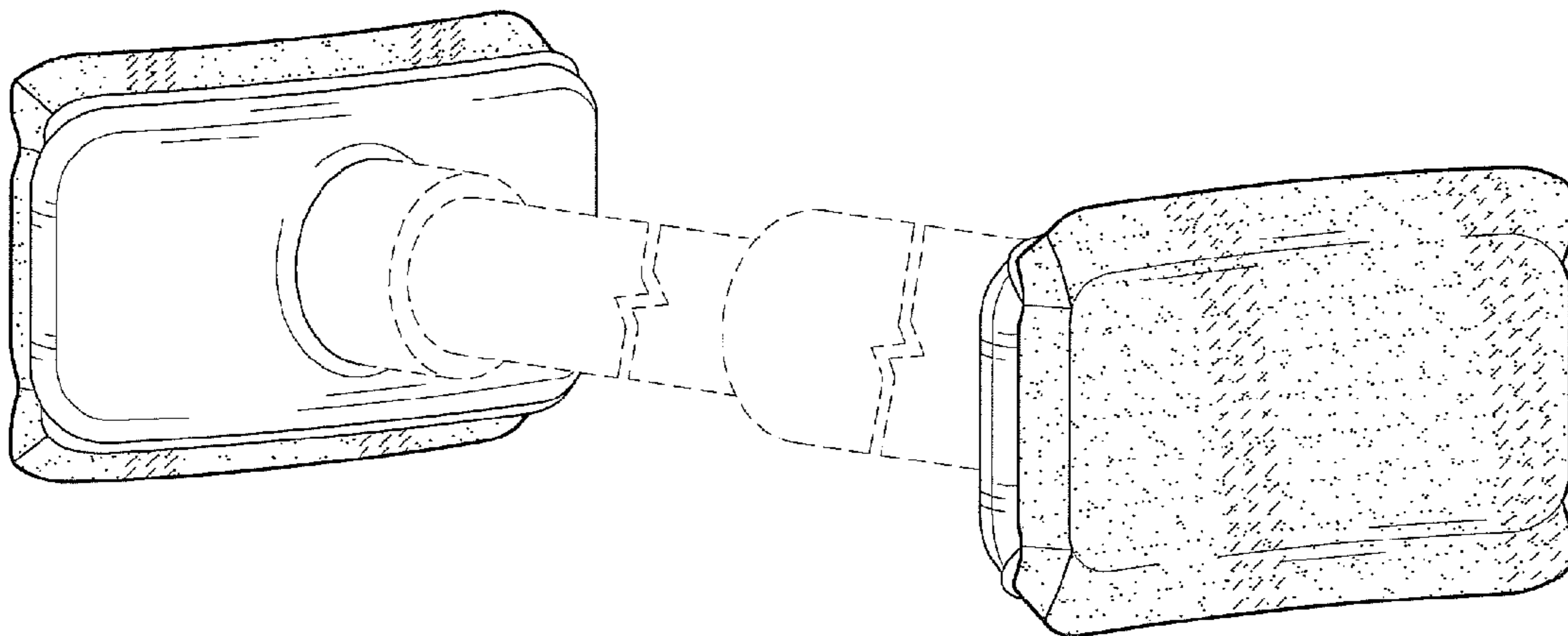
(57) **CLAIM**

The ornamental design for a strength training device, as shown and described.

DESCRIPTION

FIG. 1 is a perspective view of a strength training device showing our new design;
 FIG. 2 is a front view of the strength training device, the back view being identical to the front view;
 FIG. 3 is a top view of the strength training device, the bottom view being identical to the top view; and,
 FIG. 4 is a side view of the strength training device.
 The broken lines illustrate portions of the strength training device which form no part of the claimed design.

1 Claim, 2 Drawing Sheets



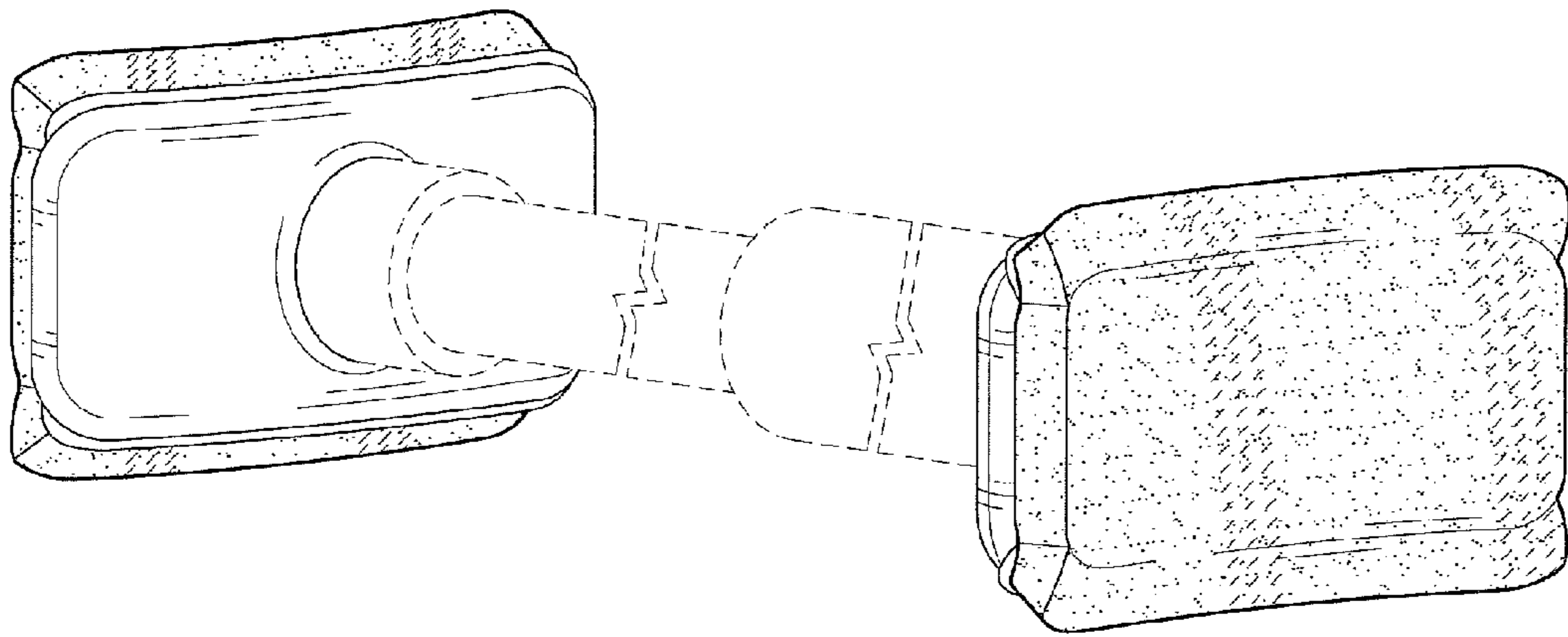


Fig-1

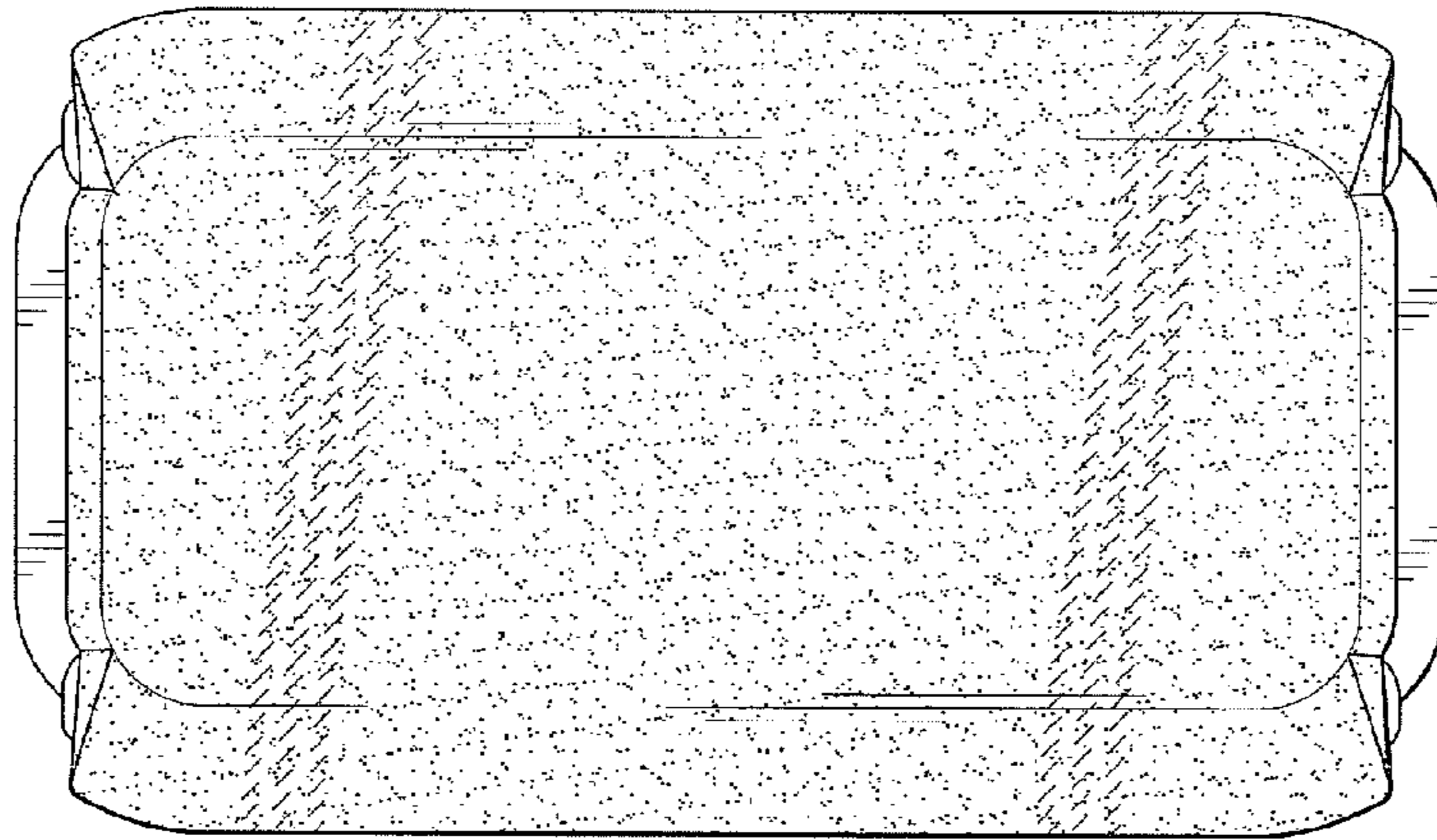


Fig-2

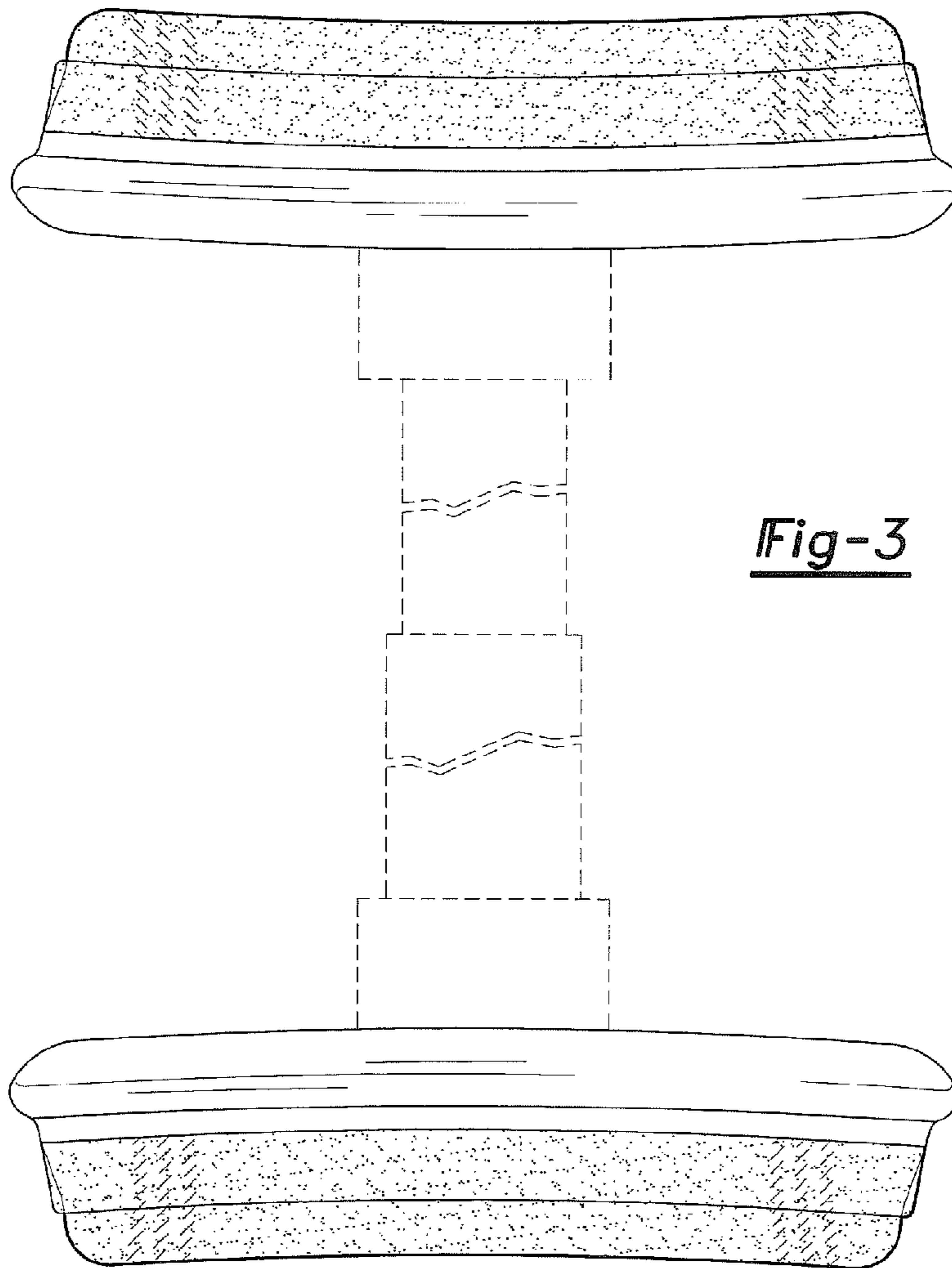


Fig-3

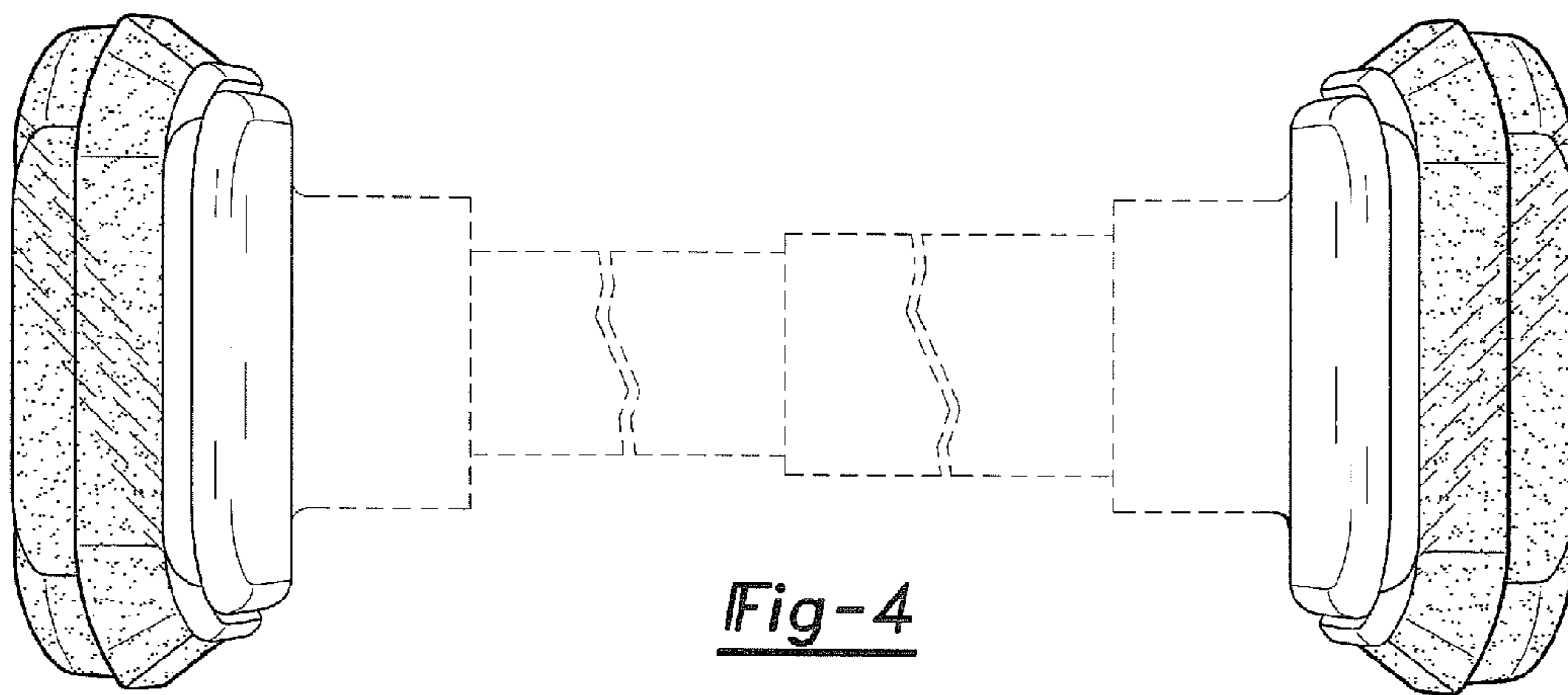


Fig-4